



US00D956641S

(12) **United States Design Patent**
Langhals et al.

(10) **Patent No.:** **US D956,641 S**

(45) **Date of Patent:** **** Jul. 5, 2022**

(54) **SIDE MIRROR**

(71) Applicants: **Taylor A. Langhals**, Waterford, MI (US); **Tome Jovanoski**, Shelby Township, MI (US); **Timothy W. Anness**, Rochester Hills, MI (US)

(72) Inventors: **Taylor A. Langhals**, Waterford, MI (US); **Tome Jovanoski**, Shelby Township, MI (US); **Timothy W. Anness**, Rochester Hills, MI (US)

(73) Assignee: **FCA US LLC**, Auburn Hills, MI (US)

(**) Term: **15 Years**

(21) Appl. No.: **29/815,315**

(22) Filed: **Nov. 12, 2021**

Related U.S. Application Data

(63) Continuation-in-part of application No. 29/727,311, filed on Mar. 10, 2020, now Pat. No. Des. 935,939, and a continuation-in-part of application No. 29/727,316, filed on Mar. 10, 2020, now Pat. No. Des. 935,940.

(51) **LOC (13) Cl.** **12-16**

(52) **U.S. Cl.**
USPC **D12/187**

(58) **Field of Classification Search**
USPC D12/187, 188, 400, 300, 309
CPC B60R 1/076; G02B 7/182; G02B 5/08; G02B 7/18
See application file for complete search history.

(56) **References Cited**

U.S. PATENT DOCUMENTS

D908,566 S * 1/2021 Zhao D12/187
D908,567 S * 1/2021 Hunwick D12/187

D911,894 S * 3/2021 Tonello D12/187
D913,881 S * 3/2021 Hilliard D12/187
D919,529 S * 5/2021 Dewitt D12/187
D920,868 S * 6/2021 Piaskowski D12/187
D932,403 S * 10/2021 Jenkins D12/187
D932,966 S * 10/2021 Tonello D12/187
D935,365 S * 11/2021 Kaoud B60R 1/04
D12/187
D935,968 S * 11/2021 Kaoud B60R 1/12
D12/187
D936,542 S * 11/2021 Wraith B60R 1/12
D12/187
D942,909 S * 2/2022 Kim B60R 1/04
D12/187
D942,910 S * 2/2022 Kim D12/187

* cited by examiner

Primary Examiner — Katrina A Betton

(74) *Attorney, Agent, or Firm* — Ralph E. Smith

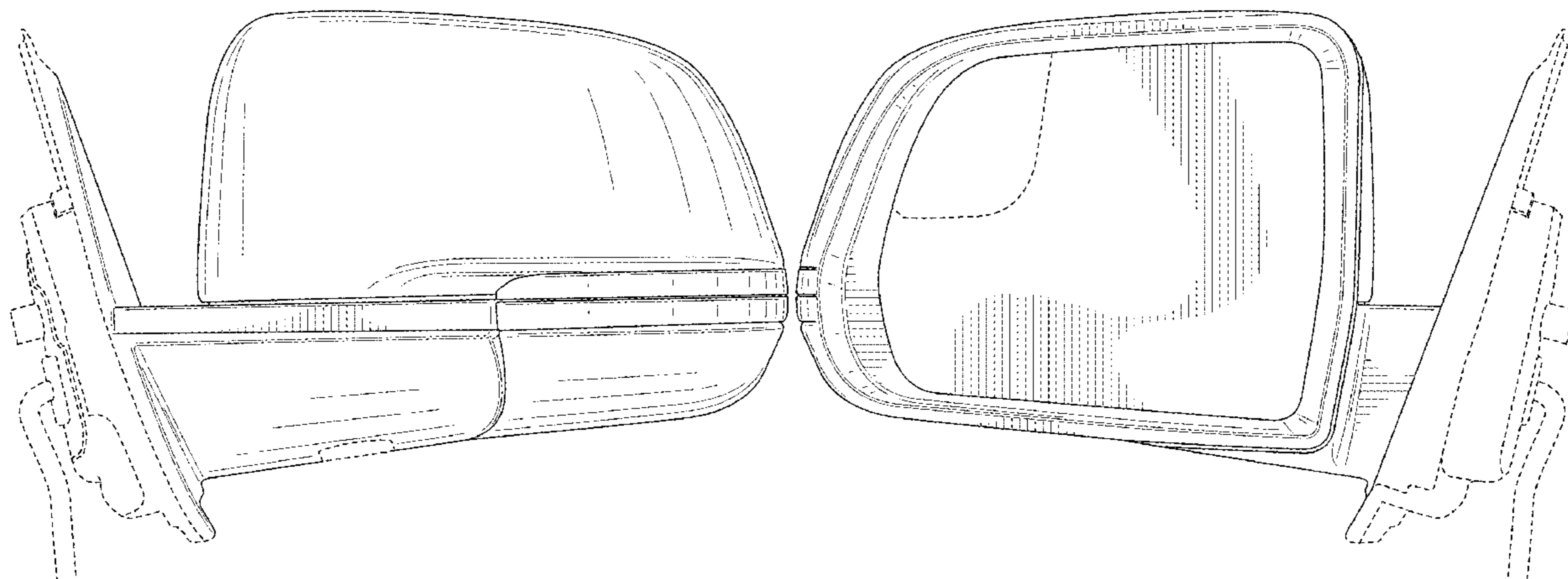
(57) **CLAIM**

The ornamental design for a side mirror, as shown and described.

DESCRIPTION

FIG. 1 is a front perspective view of a side mirror showing our new design;
FIG. 2 is a front view thereof;
FIG. 3 is a rear view thereof;
FIG. 4 is a side view thereof;
FIG. 5 is a top view thereof; and,
FIG. 6 is a bottom view thereof.
It will be understood that the broken lines shown in the drawings illustrate portions of the side mirror that form no part of the claimed design.

1 Claim, 6 Drawing Sheets



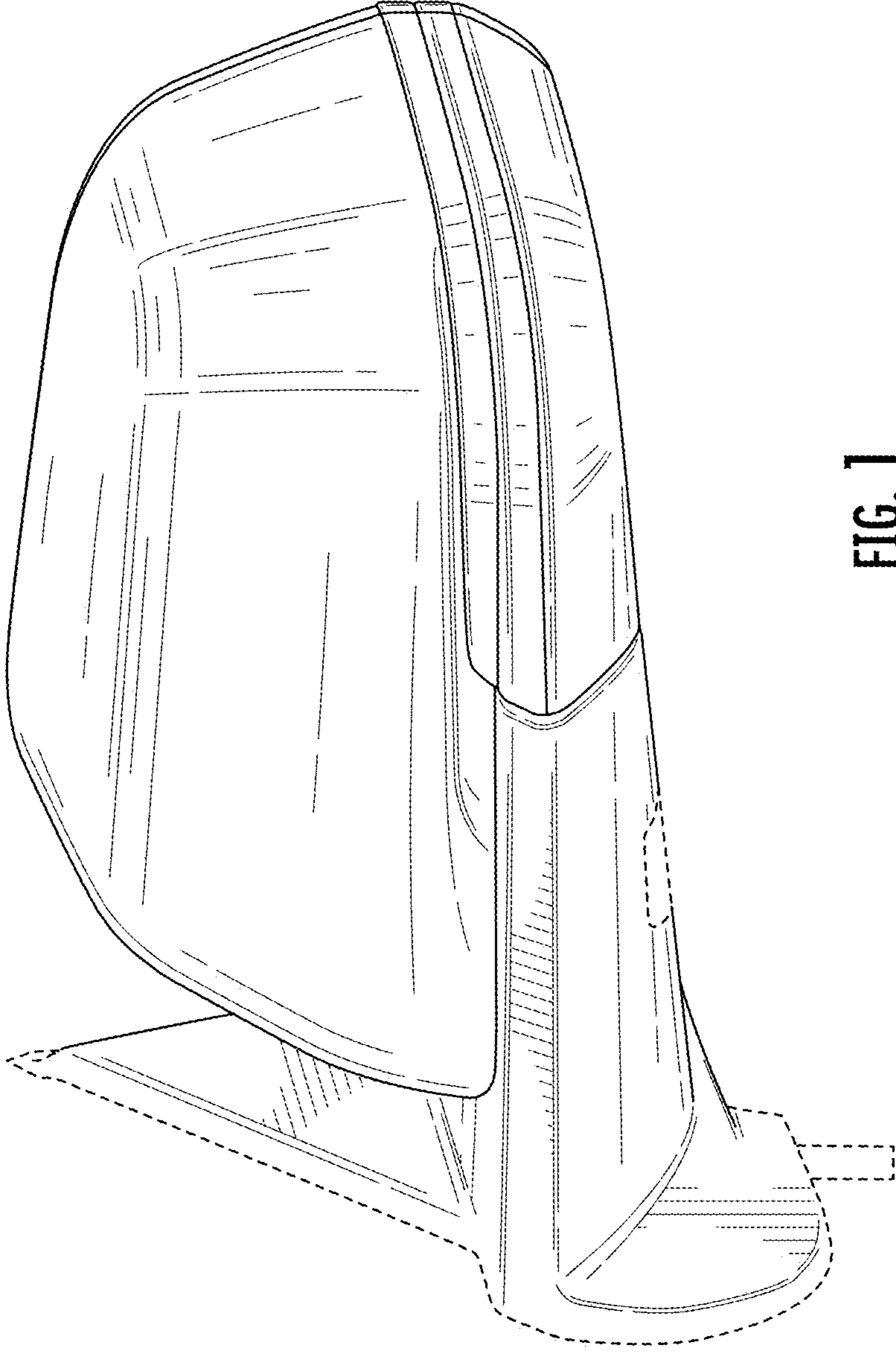


FIG. 1

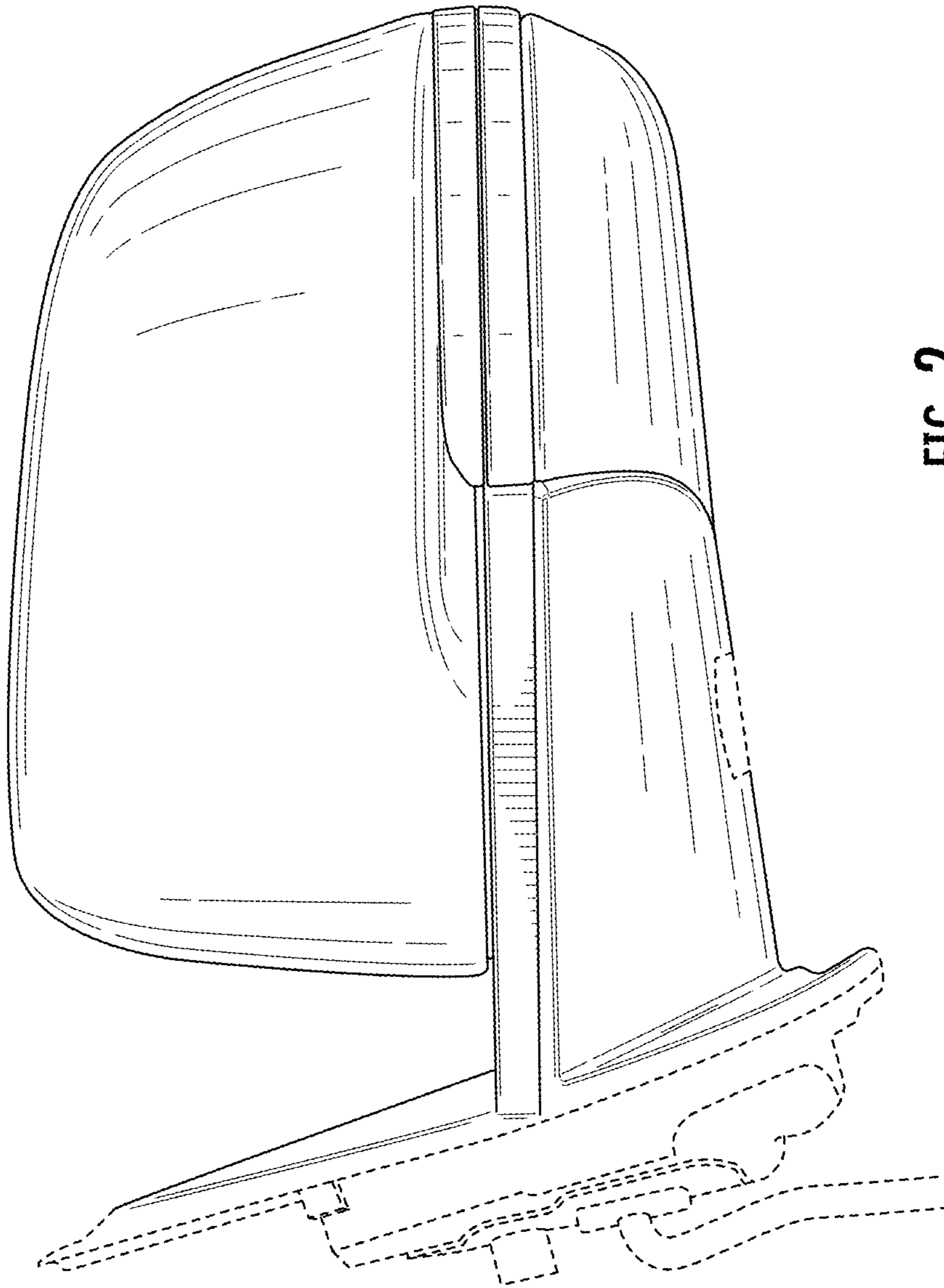


FIG. 2

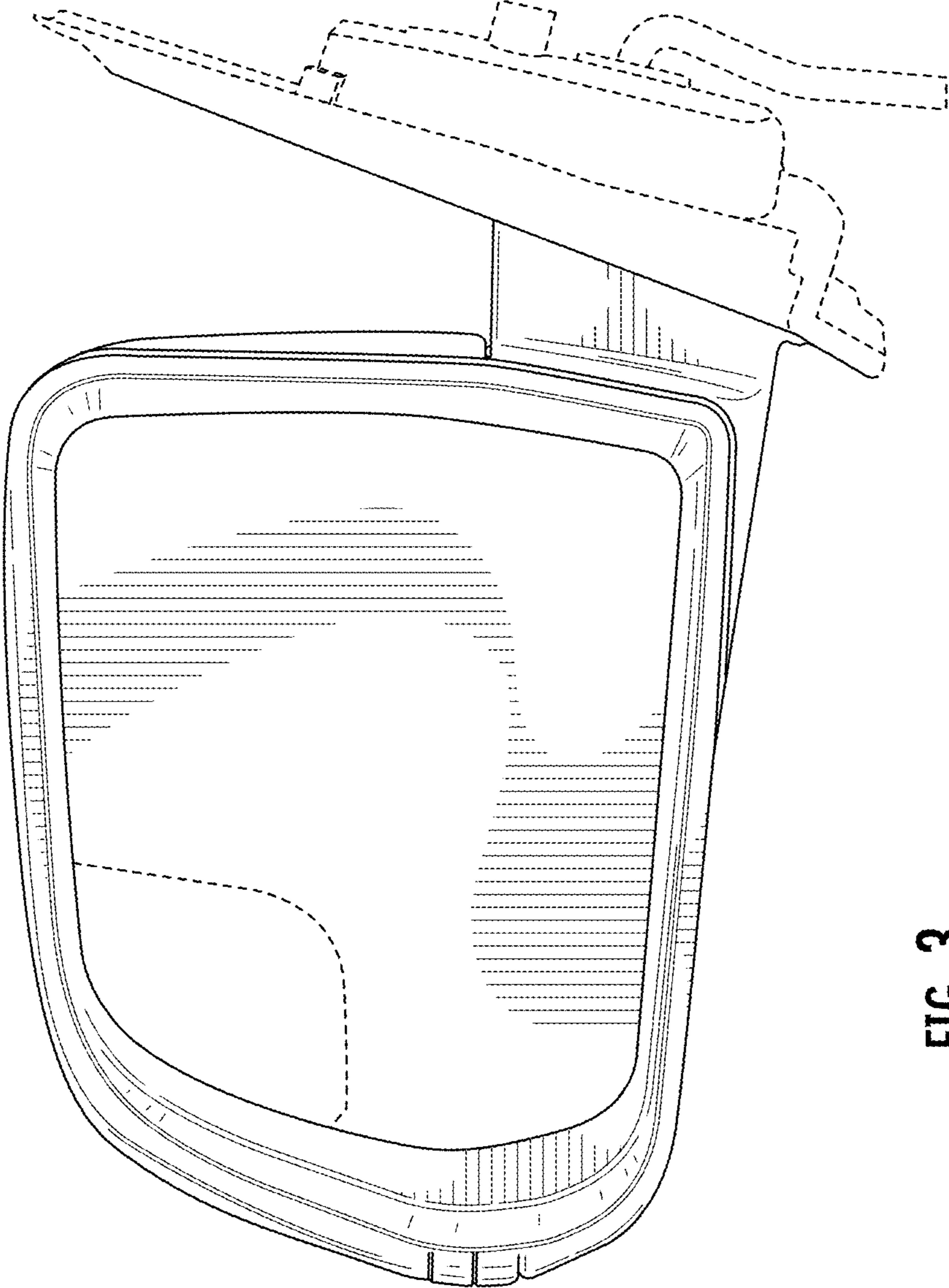


FIG. 3

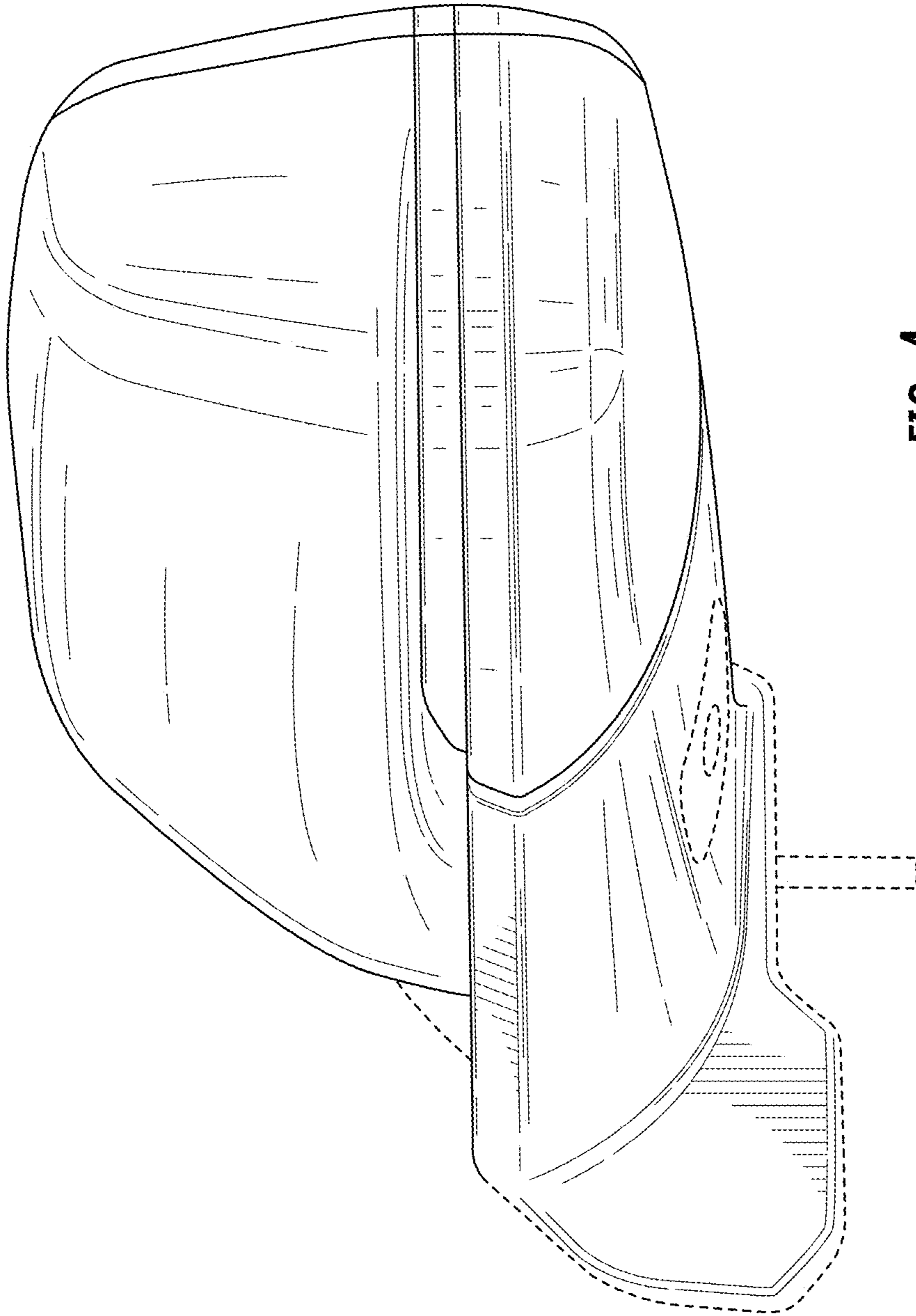


FIG. 4

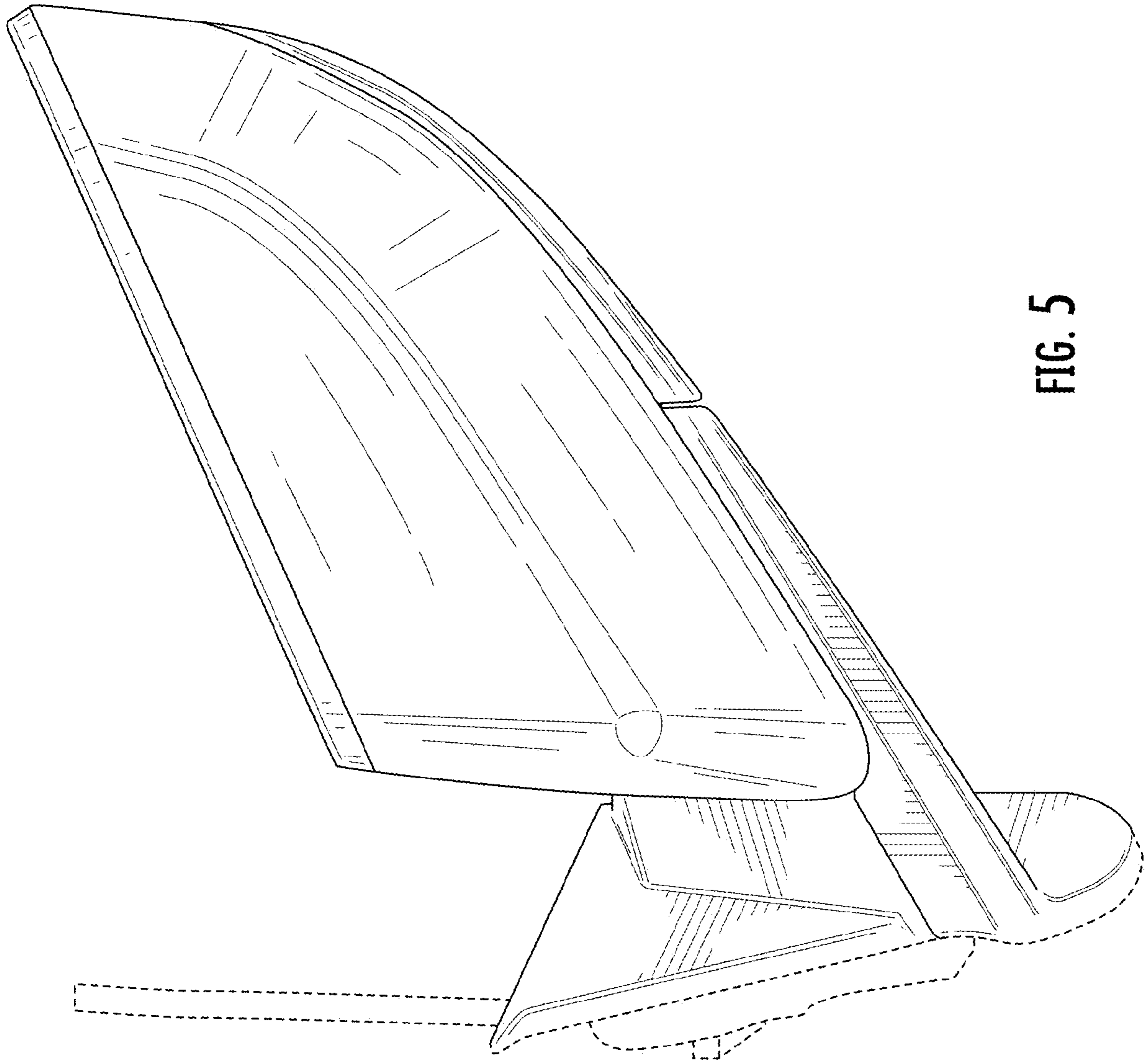


FIG. 5

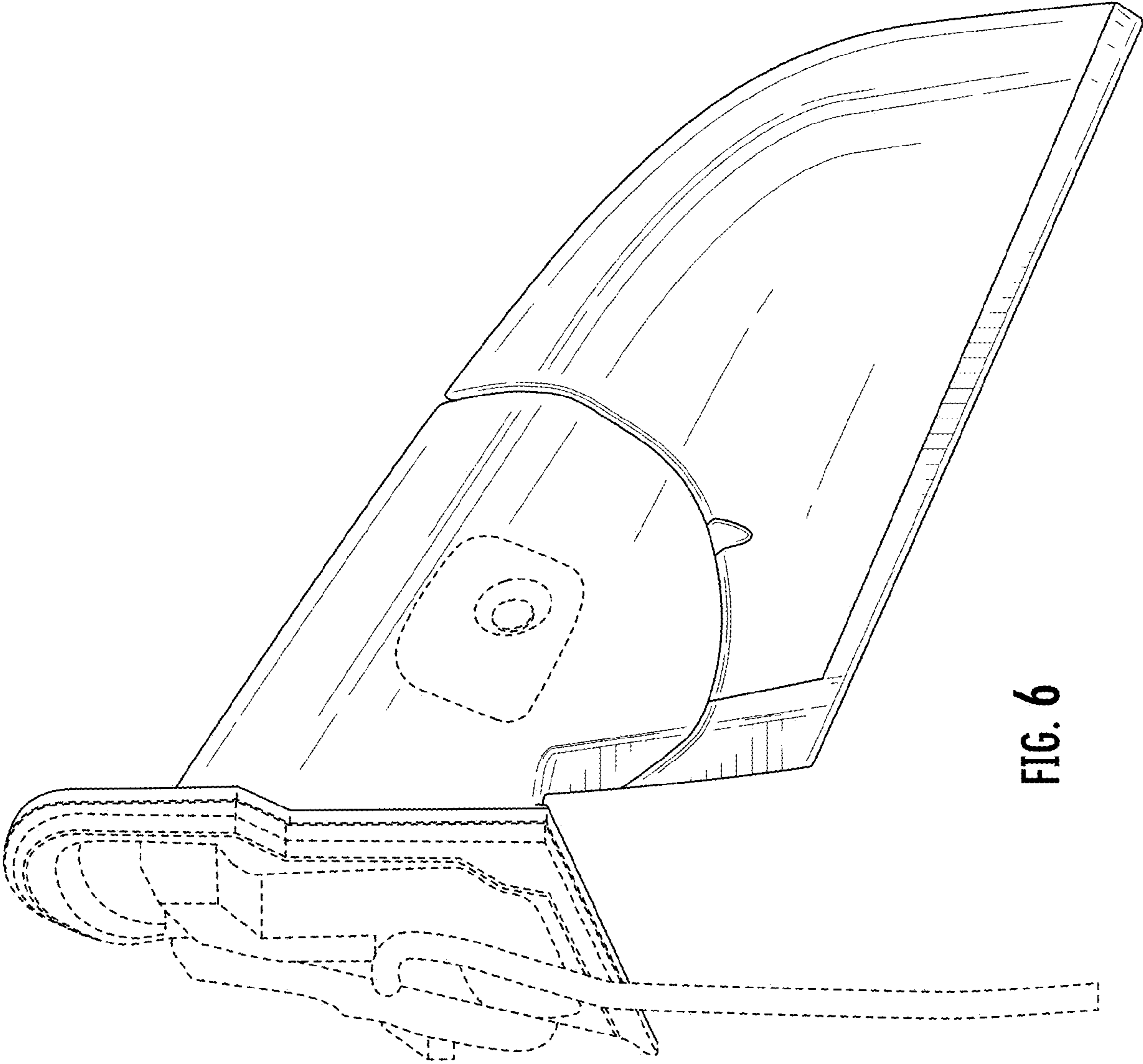


FIG. 6