



US00D956640S

(12) **United States Design Patent**
Braga

(10) **Patent No.:** **US D956,640 S**
(45) **Date of Patent:** **** Jul. 5, 2022**

- (54) **VEHICLE FENDER FLARE**
- (71) Applicant: **AscendX Concepts, Inc.**, Woodland, WA (US)
- (72) Inventor: **Roberto M. Braga**, Portland, OR (US)
- (73) Assignee: **AscendX Concepts, Inc.**, Woodland, WA (US)
- (**) Term: **15 Years**
- (21) Appl. No.: **29/777,782**
- (22) Filed: **Apr. 8, 2021**

D684,908 S 6/2013 Lee
 D694,684 S 12/2013 Lee
 D694,685 S 12/2013 Lee
 D700,120 S 2/2014 Lee

(Continued)

OTHER PUBLICATIONS

Liberty Products, 2017-2020 Ford Super Duty F-250/350 Fender Flares—Defender Flares, published at libertyproducts.com. Retrieved from the internet on Dec. 28, 2020 <URL:https://www.libertyproducts.com/collections/frontpage/products/ford-super-duty-defender-flares> (Year: 2020).

(Continued)

Primary Examiner — Joseph Kukella
(74) *Attorney, Agent, or Firm* — Dascenzo Gates Intellectual Property Law, P.C.

Related U.S. Application Data

- (62) Division of application No. 29/676,357, filed on Jan. 10, 2019, now Pat. No. Des. 918,805.
- (51) **LOC (13) Cl.** **12-16**
- (52) **U.S. Cl.**
USPC **D12/184**
- (58) **Field of Classification Search**
USPC D10/109.1, 109.2, 110, 111; D12/169, D12/181, 184, 190, 195, 196, 203
CPC B62D 25/16; B62D 25/161; B62D 25/168
See application file for complete search history.

(57) **CLAIM**

The ornamental design for a vehicle fender flare, as shown and described.

DESCRIPTION

FIG. 1 illustrates a perspective view of a vehicle fender flare employing an ornamental design in accordance with the present invention; FIG. 2 is a front view of the vehicle fender flare of FIG. 1; FIG. 3 is a back view of the vehicle fender flare of FIG. 1; FIG. 4 is a left side view of the vehicle fender flare of FIG. 1; FIG. 5 is a right side view of the vehicle fender flare of FIG. 1; FIG. 6 is a top view of the vehicle fender flare of FIG. 1; and, FIG. 7 is a bottom view of the vehicle fender flare of FIG. 1.

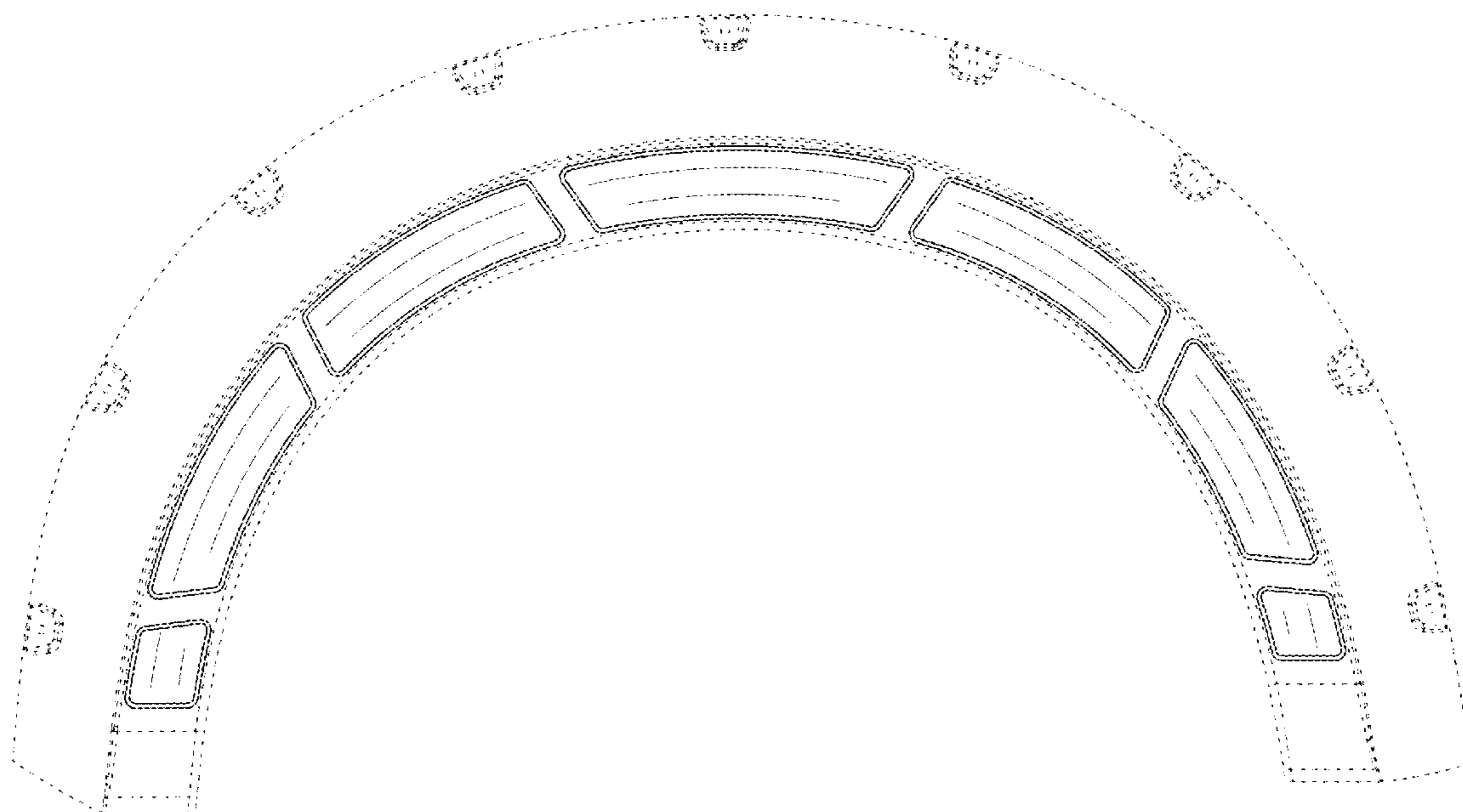
In the drawings, the broken lines depict portions of the vehicle fender flare that form no part of the claimed design.

1 Claim, 7 Drawing Sheets

(56) **References Cited**

U.S. PATENT DOCUMENTS

- D546,253 S 7/2007 Lee et al.
- D590,756 S 4/2009 Williams et al.
- D591,654 S 5/2009 Williams et al.
- D591,655 S 5/2009 Golden et al.
- D591,656 S 5/2009 Golden et al.
- D591,657 S 5/2009 Golden et al.
- D591,658 S 5/2009 Golden et al.
- D644,581 S 9/2011 Beigel et al.
- D644,972 S 9/2011 Beigel et al.



(56)

References Cited

U.S. PATENT DOCUMENTS

D707,164 S 6/2014 Lee
D763,754 S 8/2016 Sanders et al.
D792,822 S 7/2017 Platto et al.
D795,767 S 8/2017 Platto et al.
D795,768 S 8/2017 Platto et al.
D801,896 S 11/2017 Ito et al.
D860,082 S 9/2019 Poyorena et al.
D867,245 S 11/2019 Ito et al.
D883,156 S 5/2020 Joudo et al.
D906,202 S * 12/2020 Bibb, VI D12/184

OTHER PUBLICATIONS

Liberty Products, 2019-2020 Chevrolet Silverado 1500 Fender Flares—Defender Flares, at libertyproducts.com. Retrieved on Dec. 28, 2020 <URL:<https://www.libertyproducts.com/collections/frontpage/products/2019-chevrolet-silverado-1500-fender-flares-defender-flares%E2%84%A2-fits-all-bed-lengths>> (Year: 2020).

* cited by examiner

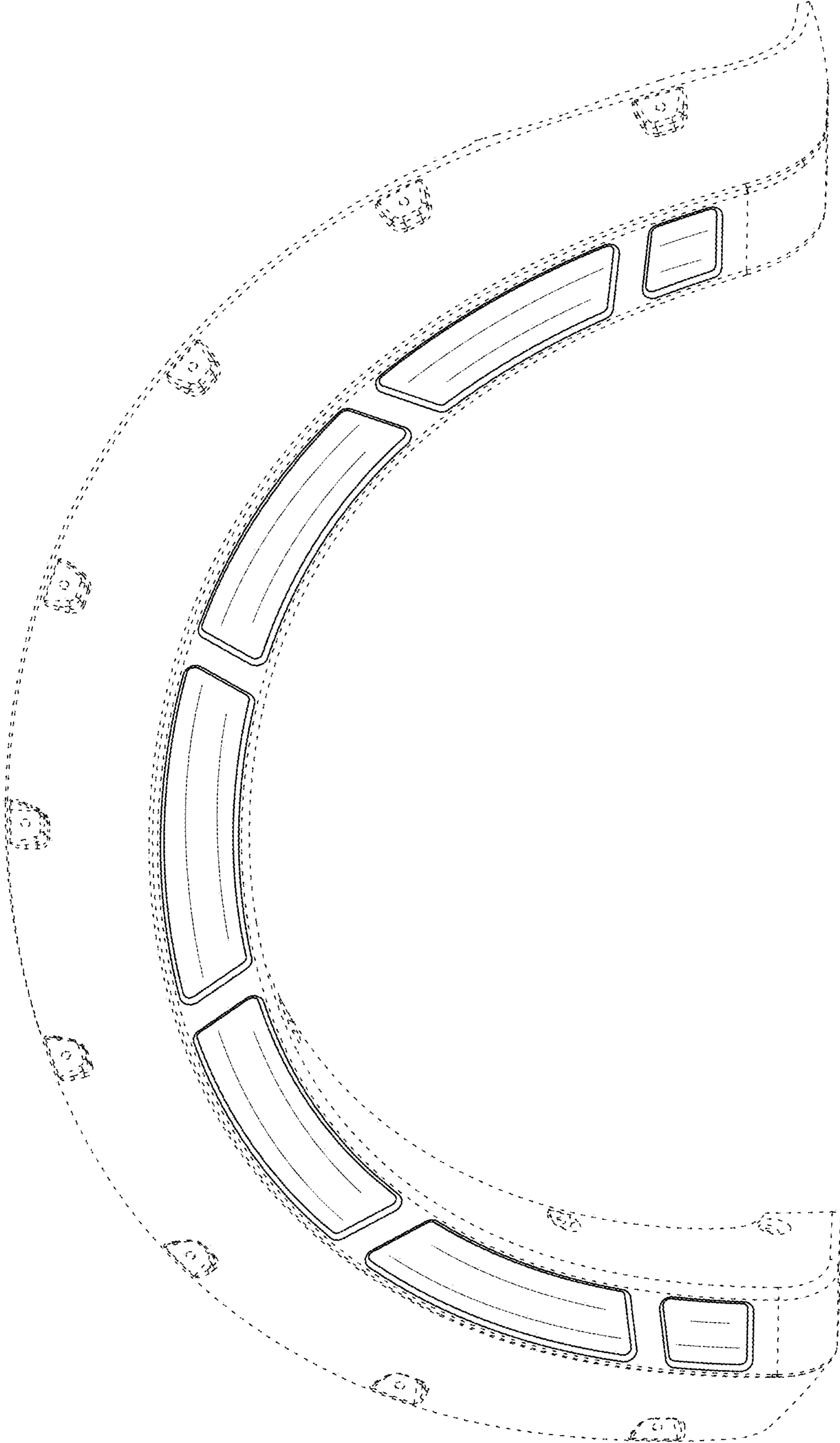


FIG. 1

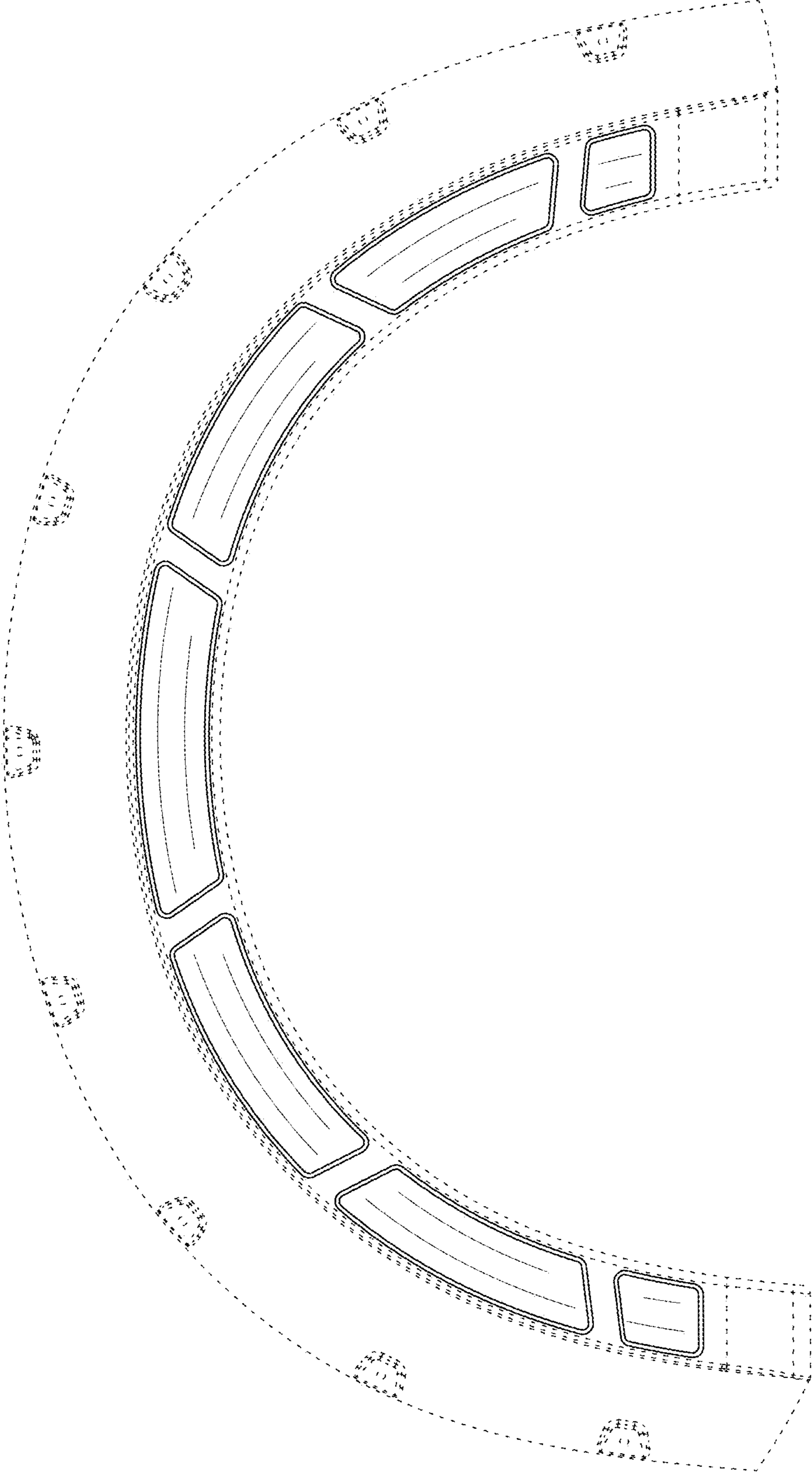


FIG. 2

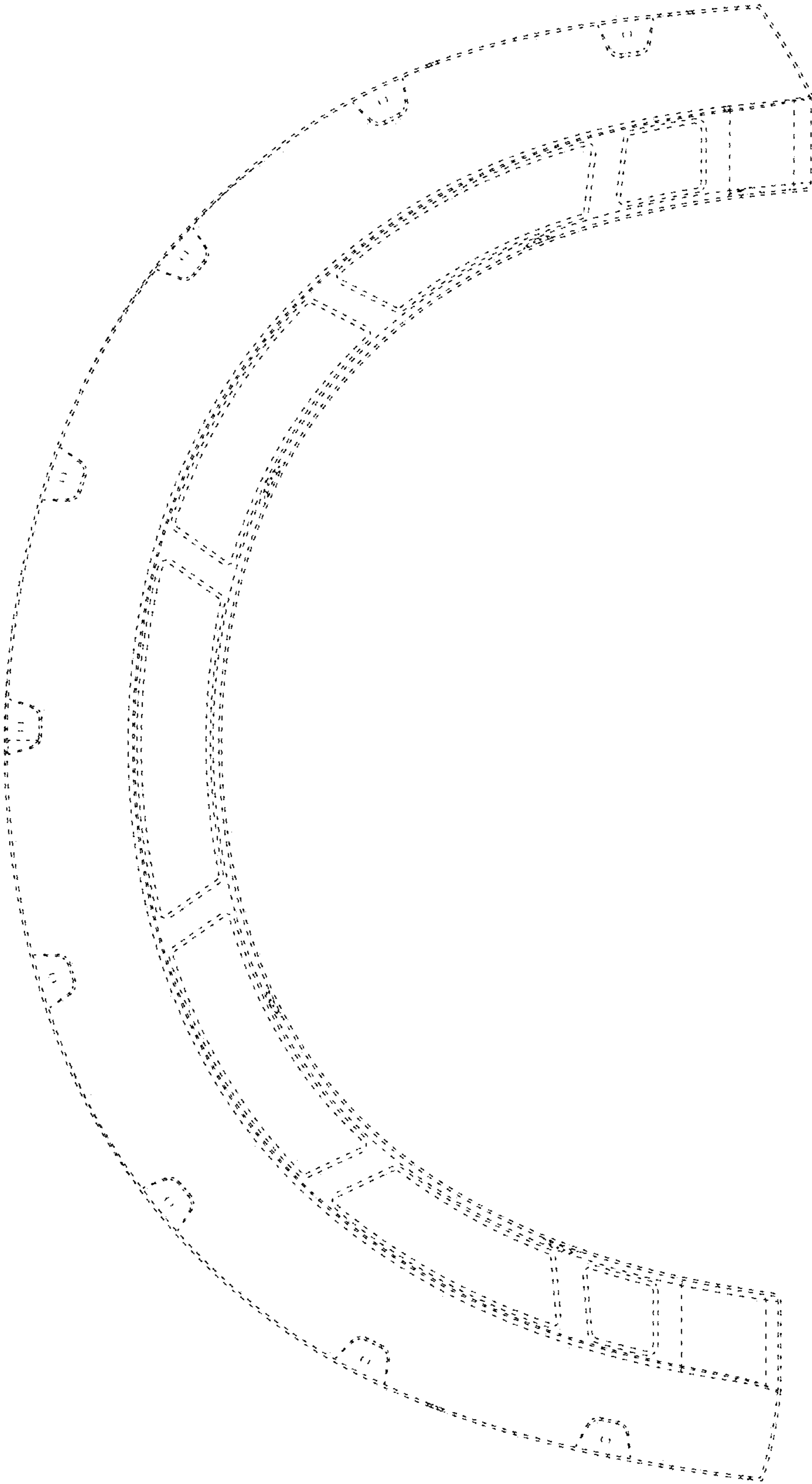


FIG. 3

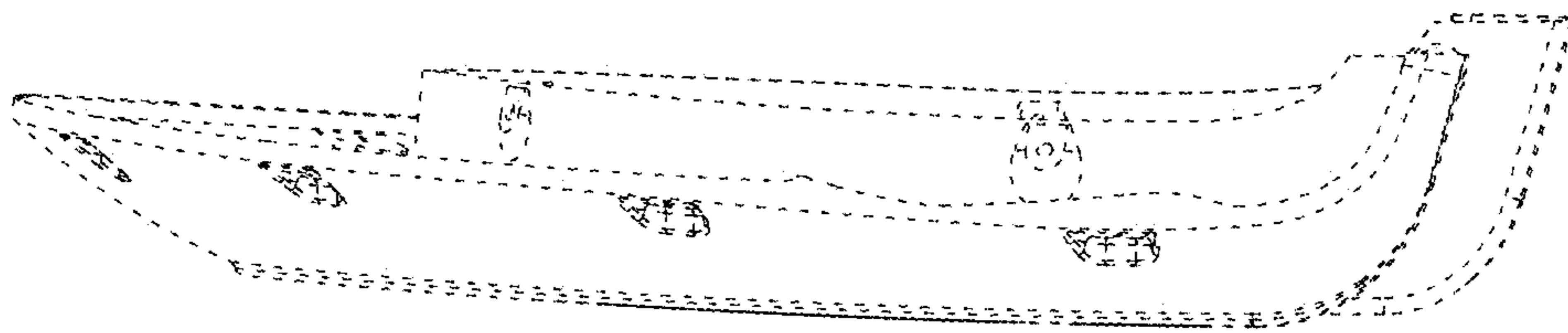


FIG. 4

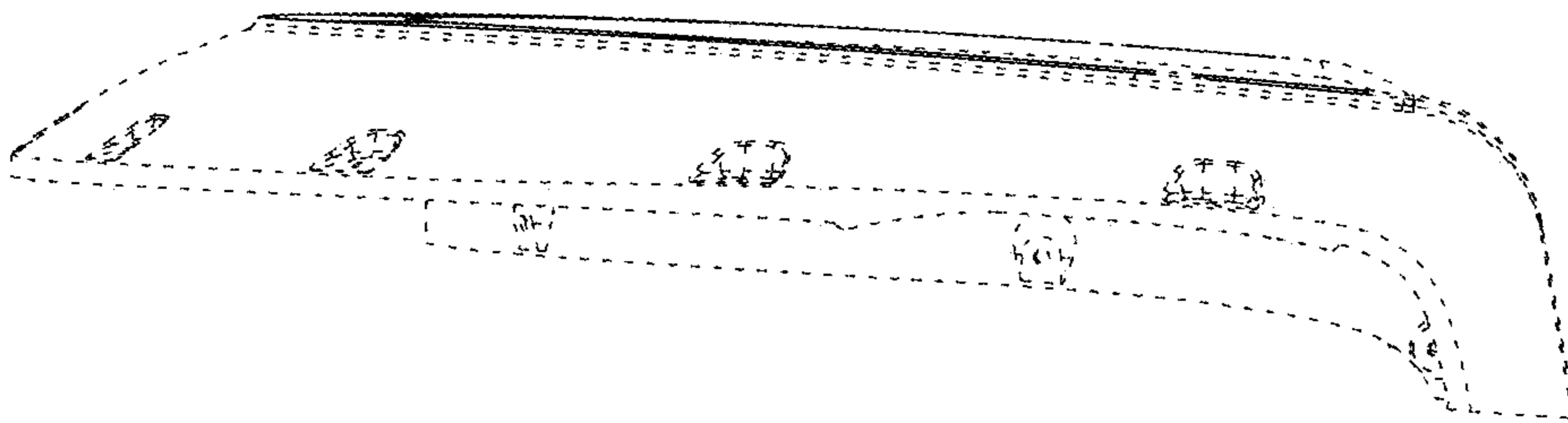


FIG. 5

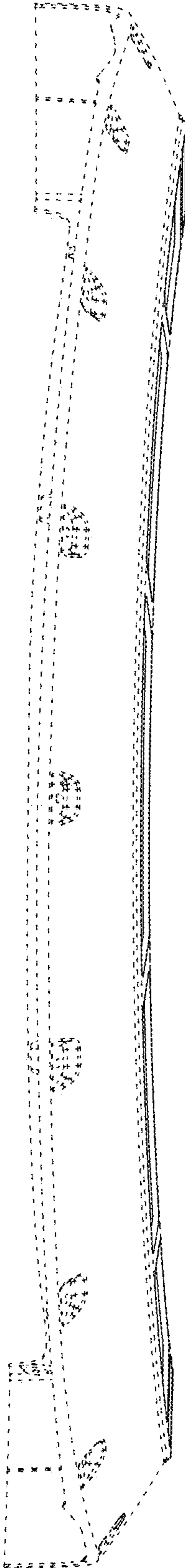


FIG. 6

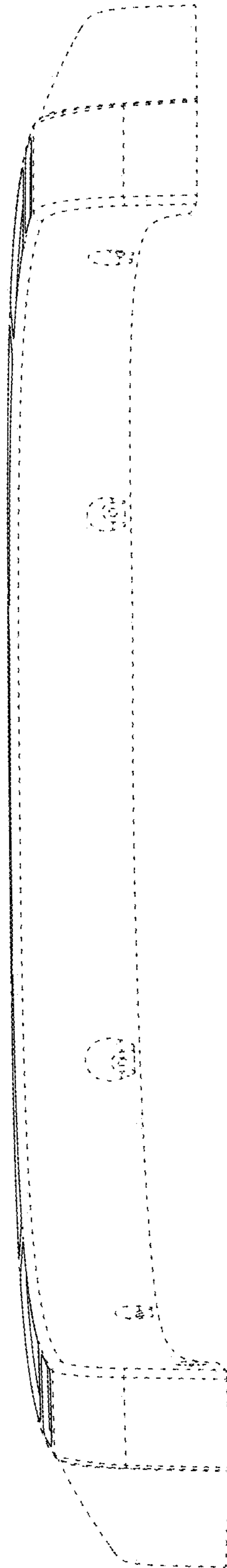


FIG. 7