



US00D956639S

(12) **United States Design Patent**
Li et al.

(10) **Patent No.:** **US D956,639 S**

(45) **Date of Patent:** **** Jul. 5, 2022**

(54) **REAR WING FOR A VEHICLE**
(71) Applicant: **Ninebot (Beijing) Tech Co., Ltd.**,
Beijing (CN)
(72) Inventors: **Yongjie Li**, Beijing (CN); **Ji Lin**,
Beijing (CN); **Sheng Xu**, Beijing (CN)
(73) Assignee: **Ninebot (Beijing) Tech Co., Ltd.**,
Beijing (CN)

D656,439 S * 3/2012 Saracoglu D12/181
D725,559 S * 3/2015 Robinson D12/181
D727,227 S * 4/2015 Scheinhutte D12/181
D727,809 S * 4/2015 Scheinhutte D12/181
D881,091 S * 4/2020 Smith D12/181
D897,250 S * 9/2020 Larson D12/181

* cited by examiner

Primary Examiner — George D. Kirschbaum
(74) *Attorney, Agent, or Firm* — Harter Secrest & Emery
LLP

(**) Term: **15 Years**

(21) Appl. No.: **35/511,079**

(57) **CLAIM**

(22) Filed: **Jun. 30, 2020**

The ornamental design for a rear wing for a vehicle, as
shown and described.

(80) **Hague Agreement Data**

Int. Filing Date: **Jun. 30, 2020**
Int. Reg. No.: **DM/210558**
Int. Reg. Date: **Jun. 30, 2020**
Int. Reg. Pub. Date: **Jan. 1, 2021**

DESCRIPTION

The patent or application file contains at least one drawing
executed in color. Copies of this patent or patent application
publication with color drawing(s) will be provided by the
Office upon request and payment of the necessary fee.

(30) **Foreign Application Priority Data**

Dec. 31, 2019 (CN) 201930748844.8

(51) **LOC (13) Cl.** **12-16**

(52) **U.S. Cl.**
USPC **D12/181**

(58) **Field of Classification Search**
USPC D12/181
See application file for complete search history.

1. Rear wing for a vehicle

1.1 : Front

1.2 : Back

1.3 : Left

1.4 : Right

1.5 : Top

1.6 : Bottom

1.7 : Perspective

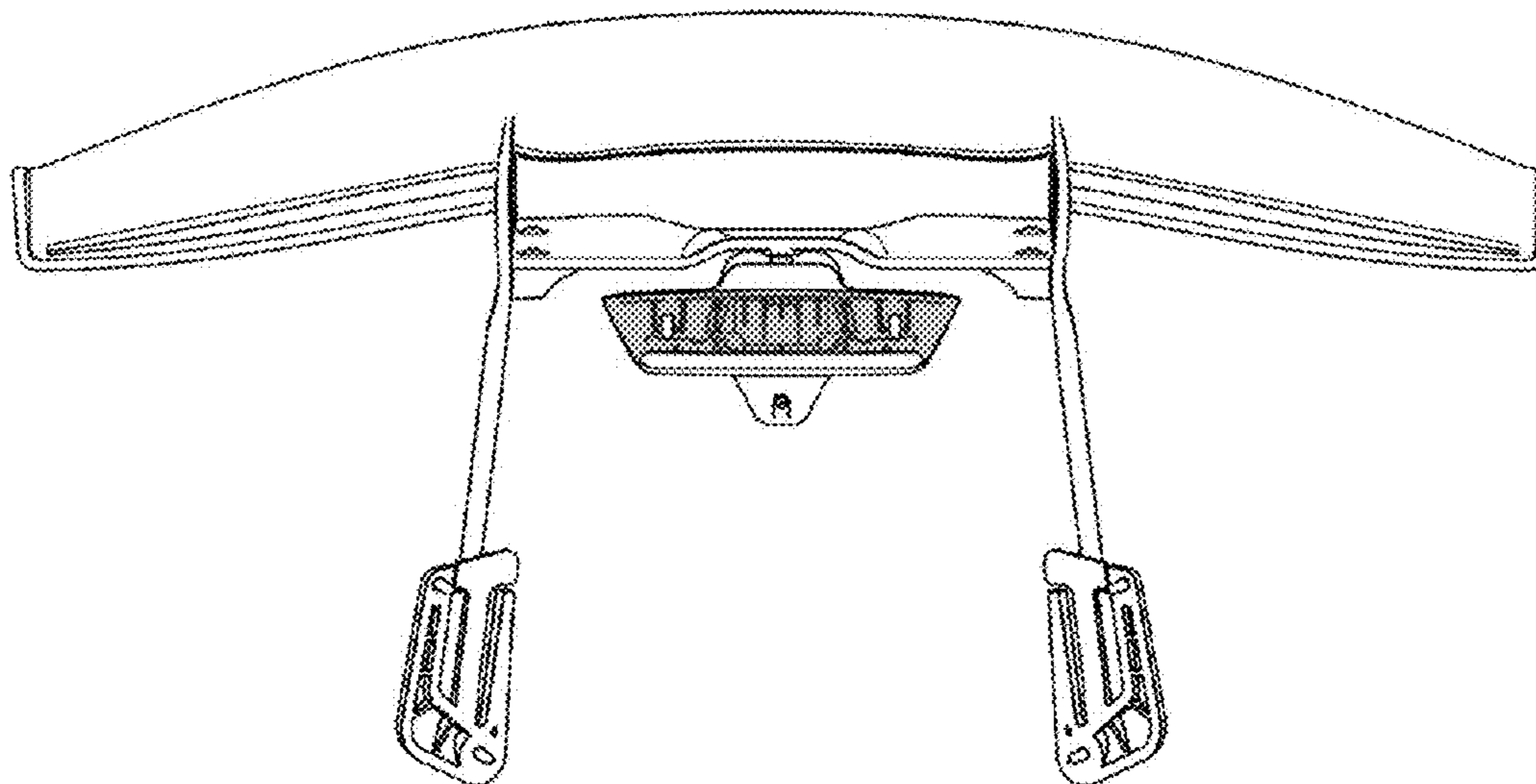
The elements shaded in a transparent red wash are included
for the purpose of illustrating portions of the rear wing for
a vehicle and forms no part of the claimed design.

(56) **References Cited**

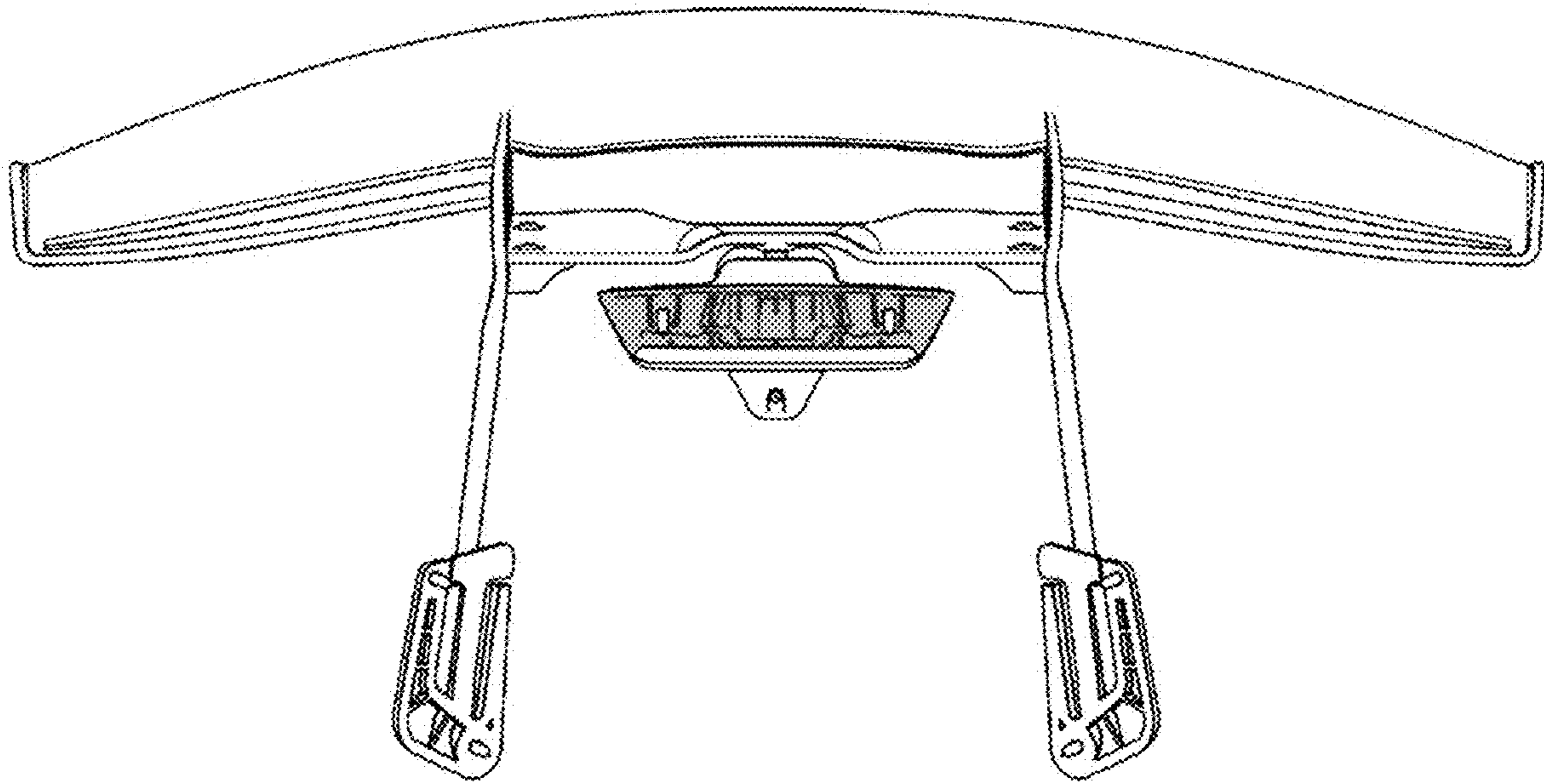
U.S. PATENT DOCUMENTS

D290,453 S * 6/1987 Konen D12/181
D607,386 S * 1/2010 Kulla D12/181

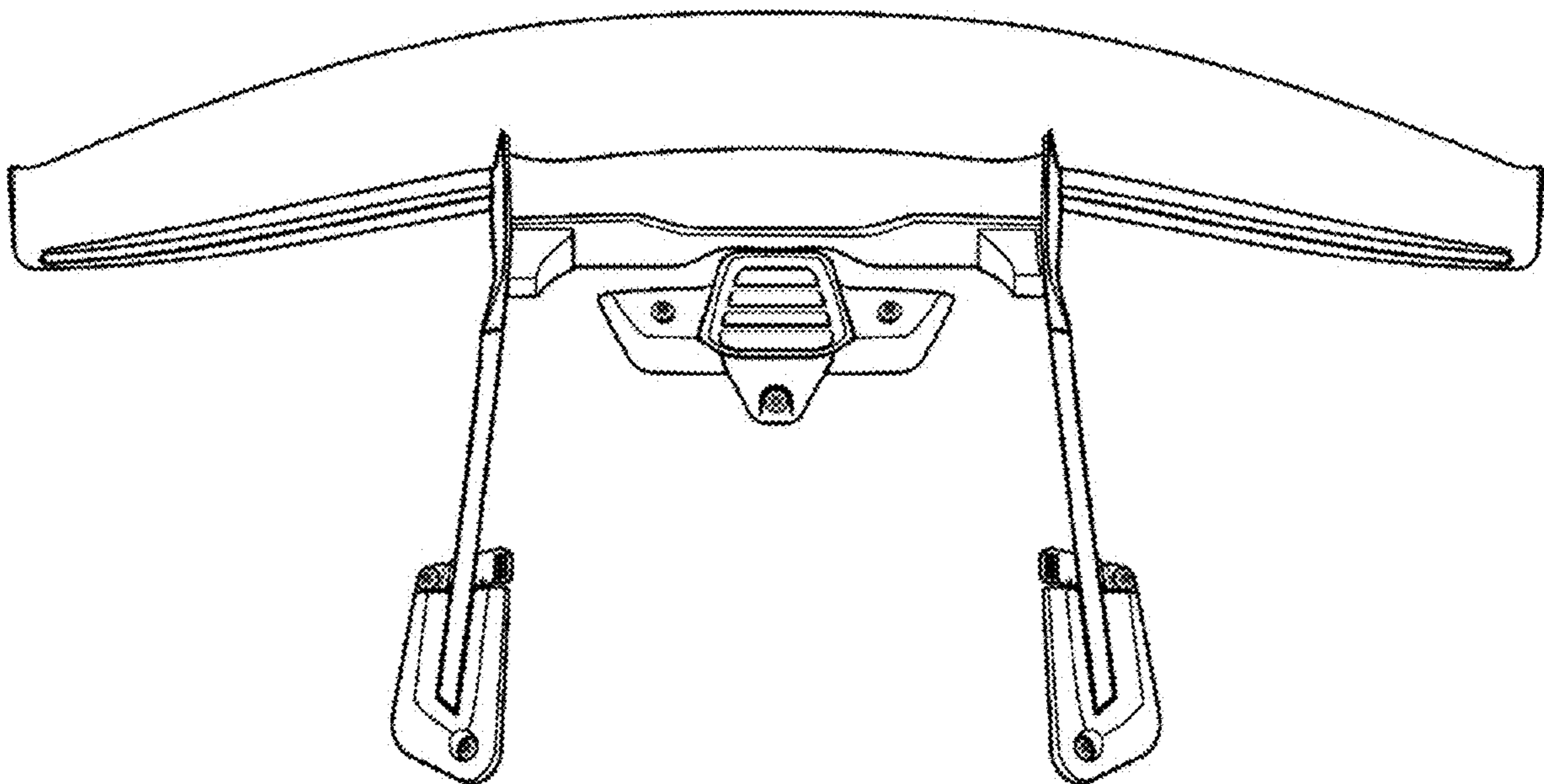
1 Claim, 4 Drawing Sheets
(4 of 4 Drawing Sheet(s) Filed in Color)



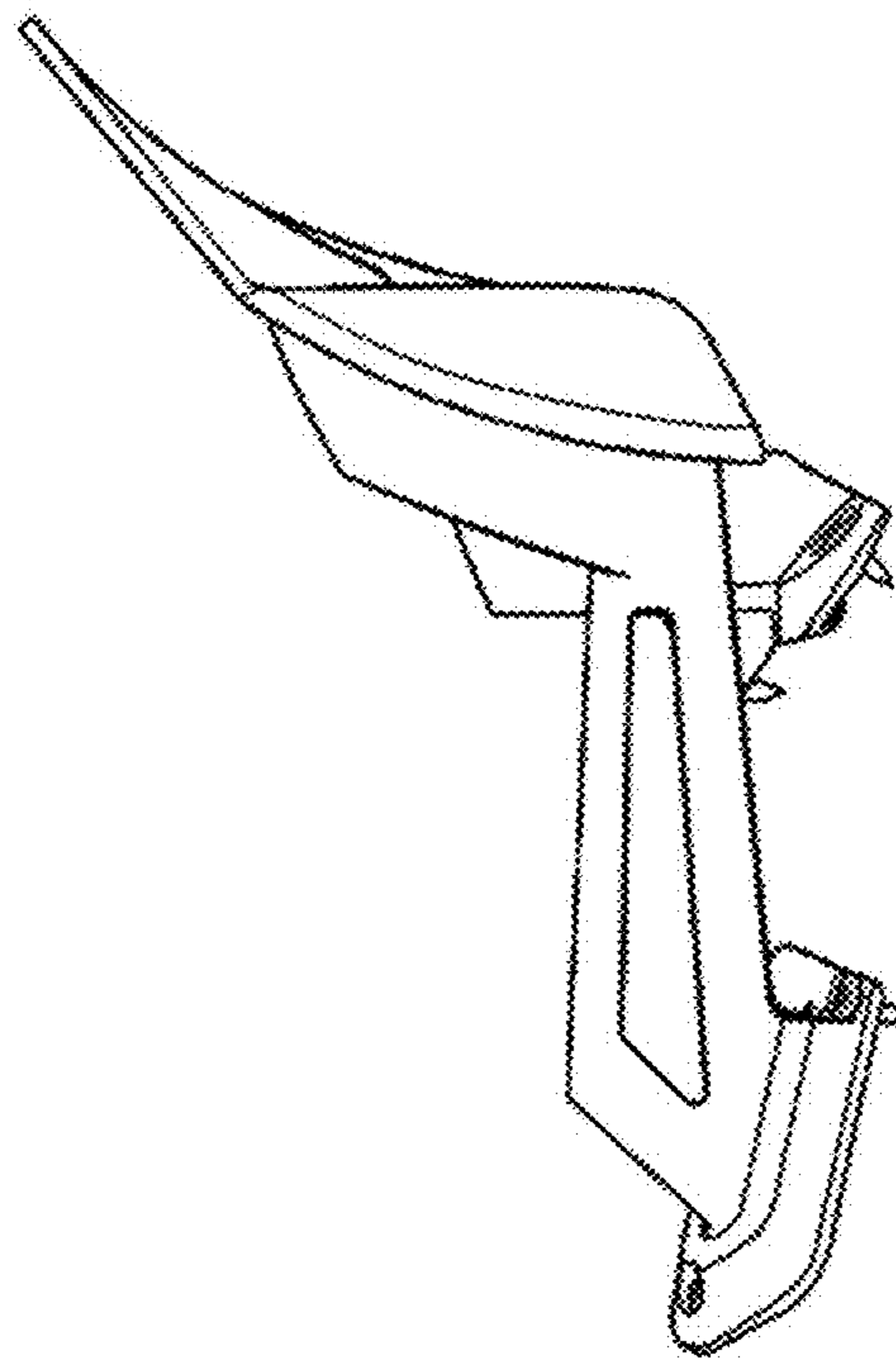
Front



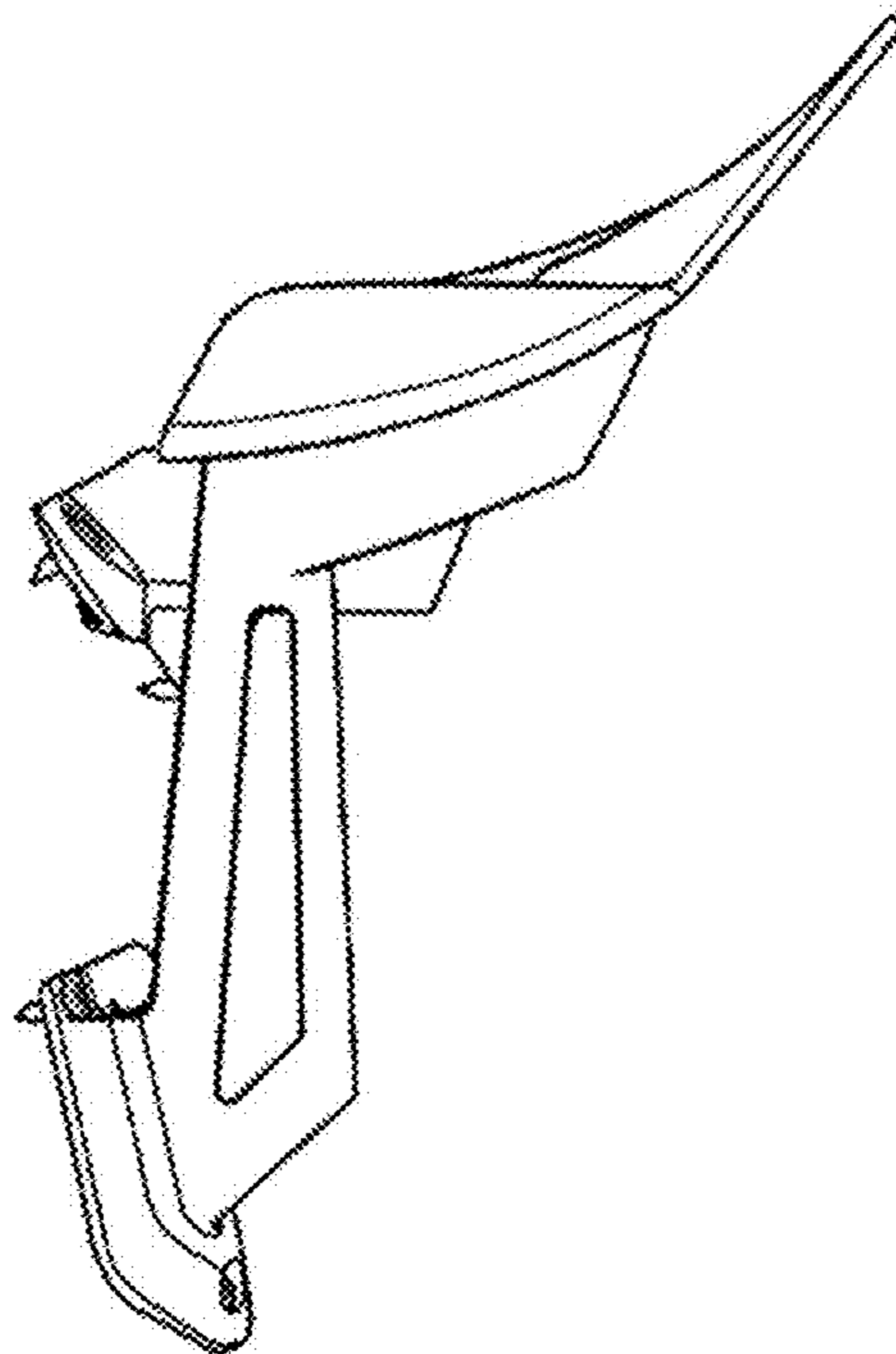
1.1
Front



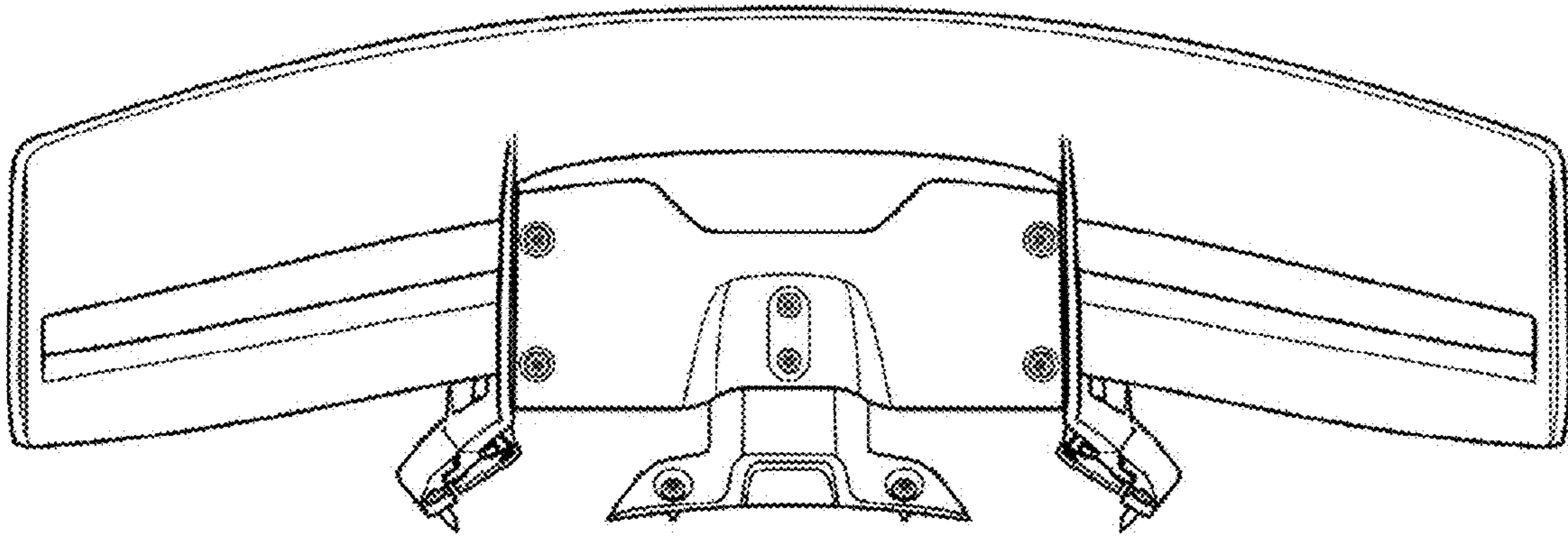
1.2
Back



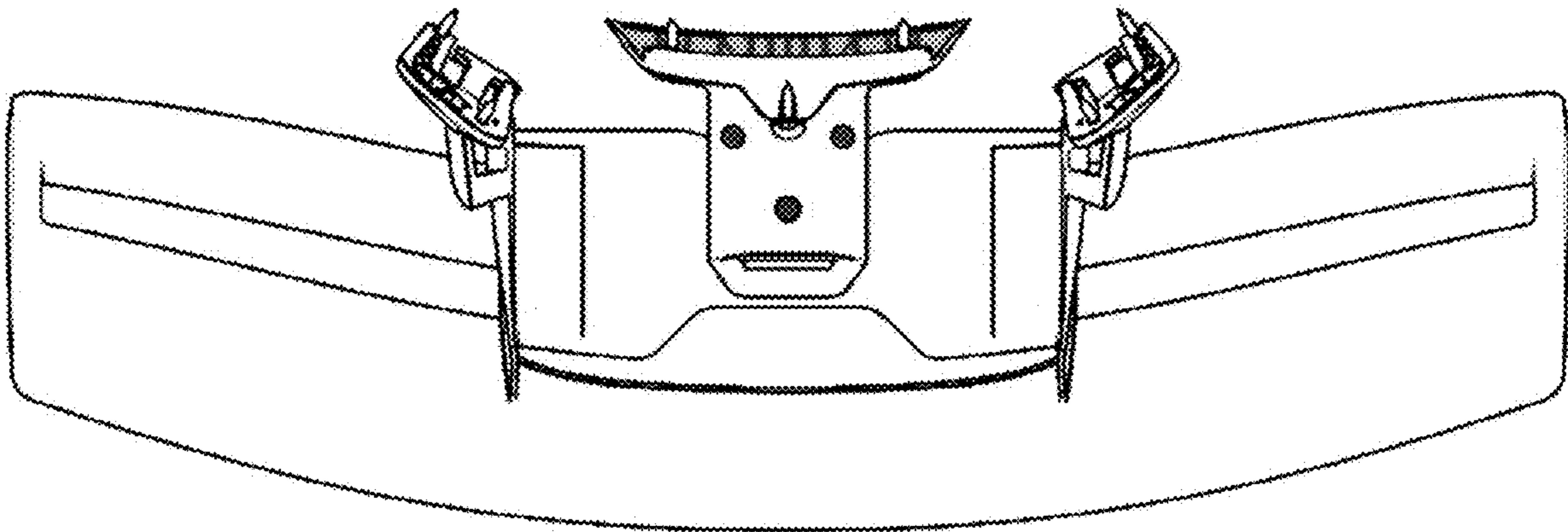
1.3
Left



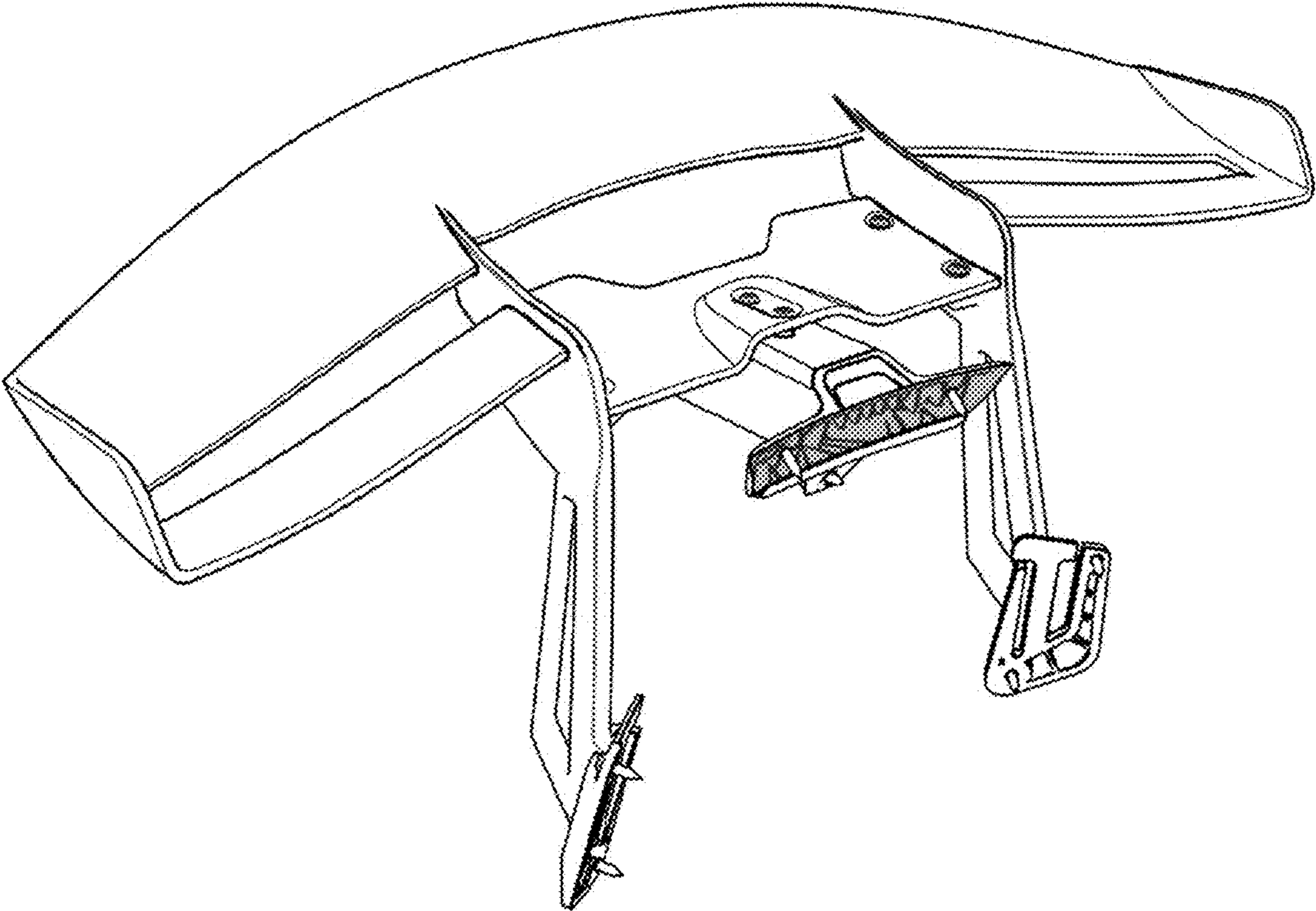
1.4
Right



1.5
Top



1.6
Bottom



1.7
Perspective