



US00D956633S

(12) **United States Design Patent** (10) **Patent No.:** **US D956,633 S**
Ikeda (45) **Date of Patent:** **** Jul. 5, 2022**

(54) **SHOCK ABSORBER**

(71) Applicant: **Hitachi Astemo, Ltd.**, Ibaraki (JP)

(72) Inventor: **Daisuke Ikeda**, Shizuoka (JP)

(73) Assignee: **Hitachi Astemo, Ltd.**, Ibaraki (JP)

(**) Term: **15 Years**

(21) Appl. No.: **29/753,348**

(22) Filed: **Sep. 30, 2020**

(30) **Foreign Application Priority Data**

Jun. 10, 2020 (JP) 2020-011473 D

(51) **LOC (13) Cl.** **12-16**

(52) **U.S. Cl.**
USPC **D12/159**

(58) **Field of Classification Search**
USPC D12/159, 160, 161, 400; D9/435, 439,
D9/446, 449; D7/392.1

(Continued)

(56) **References Cited**

U.S. PATENT DOCUMENTS

2,574,420 A * 11/1951 Seddon F16F 1/445
267/293
5,263,695 A * 11/1993 Bianchi B60G 7/04
267/225

(Continued)

OTHER PUBLICATIONS

CQR250 front shock absorber, Published date unavailable [online], [retrieved on Feb. 1, 2022]. Retrieved from the Internet: <https://shopee.ph/CQR250-off-road-motorcycle-inverted-front-shock-absorber-front-fork-hydraulic-shock-absorber-guard-p-i.447634730.10710792463> (Year: 2022).*

Primary Examiner — Cary M Robinson

Assistant Examiner — Adam C Mager

(74) *Attorney, Agent, or Firm* — Rankin, Hill & Clark LLP

(57) **CLAIM**

The ornamental design for a shock absorber, as shown and described.

DESCRIPTION

FIG. 1 is a front, left side, bottom perspective view showing my new design;

FIG. 2 is a front, right side, top perspective view thereof;

FIG. 3 is a front view thereof;

FIG. 4 is a rear view thereof;

FIG. 5 is a left side view thereof;

FIG. 6 is a right side view thereof;

FIG. 7 is a top plan view thereof;

FIG. 8 is a bottom plan view thereof;

FIG. 9 is an enlarged front, left side, bottom perspective view thereof taken along at 9-9 of FIG. 1;

FIG. 10 is an enlarged front, right side, top perspective view thereof taken along at 10-10 of FIG. 2;

FIG. 11 is an enlarged front view thereof of FIG. 3;

FIG. 12 is an enlarged left side view thereof taken along at 12-12 of FIG. 5;

FIG. 13 is an enlarged right side view thereof taken along at 13-13 of FIG. 6;

FIG. 14 is an enlarged top plan view thereof taken along at 14-14 of FIG. 7;

FIG. 15 is an enlarged bottom view thereof taken along at 15-15 of FIG. 8;

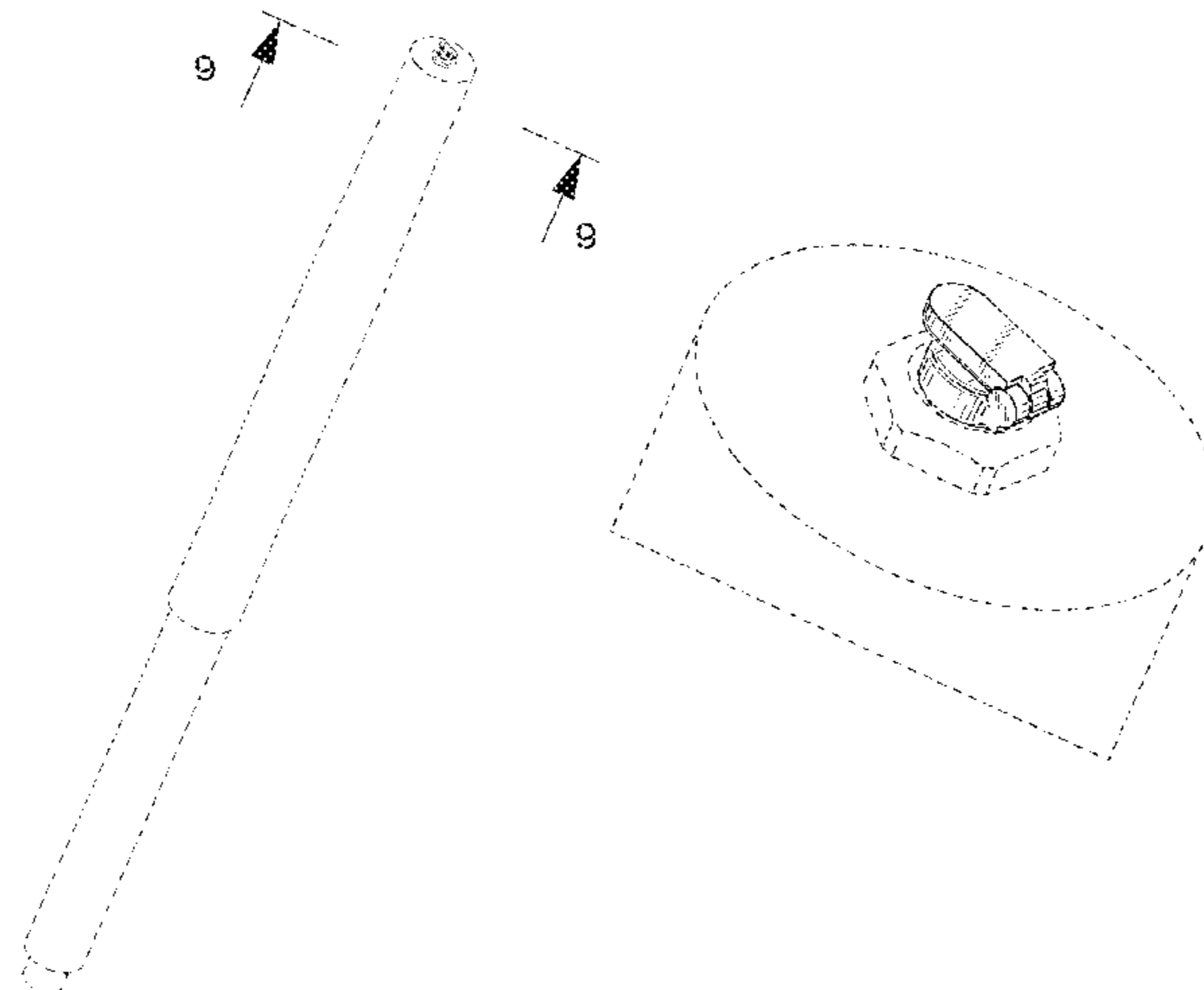
FIG. 16 is a front, left side, bottom perspective view thereof showing a knob in an unfolded position;

FIG. 17 is a front, right side, top perspective view thereof showing a knob in an unfolded position;

FIG. 18 is an enlarged front, left side, bottom perspective view thereof showing the knob in an unfolded position, taken along at 18-18 of FIG. 16; and,

FIG. 19 is an enlarged front, right side, top perspective view thereof showing the knob in an unfolded position, taken along at 19-19 of FIG. 17.

(Continued)



The broken lines in the drawings illustrate portions of the shock absorber that form no part of the claimed design.

1 Claim, 13 Drawing Sheets

(58) Field of Classification Search

CPC B62D 1/046; B62D 1/185; B62D 1/187;
B62D 1/195; B60G 2204/125; B60G
2204/41; B60G 2202/14; B60G 2202/142;
B60G 2202/143; B60G 2206/73; B60G
11/22; B60G 17/0272; B60W 10/20;
B60W 2540/18; F16F 9/062

See application file for complete search history.

(56) References Cited

U.S. PATENT DOCUMENTS

5,429,344 A * 7/1995 Stewart B60G 11/22
267/141
5,820,114 A * 10/1998 Tsai F16F 3/10
188/129
D417,416 S * 12/1999 Storz D12/118
D417,583 S * 12/1999 Demore D7/392.1
D722,542 S * 2/2015 Ikeda D12/159
9,821,621 B2 * 11/2017 Mason B60G 11/14
D866,408 S * 11/2019 Hulstein D12/159
D898,507 S * 10/2020 Ekblom D7/392.1
2021/0070130 A1 * 3/2021 Cheong F16F 13/007
2021/0078376 A1 * 3/2021 Aoki F16J 15/162
2021/0140507 A1 * 5/2021 Cho F16J 15/18

* cited by examiner

FIG.1

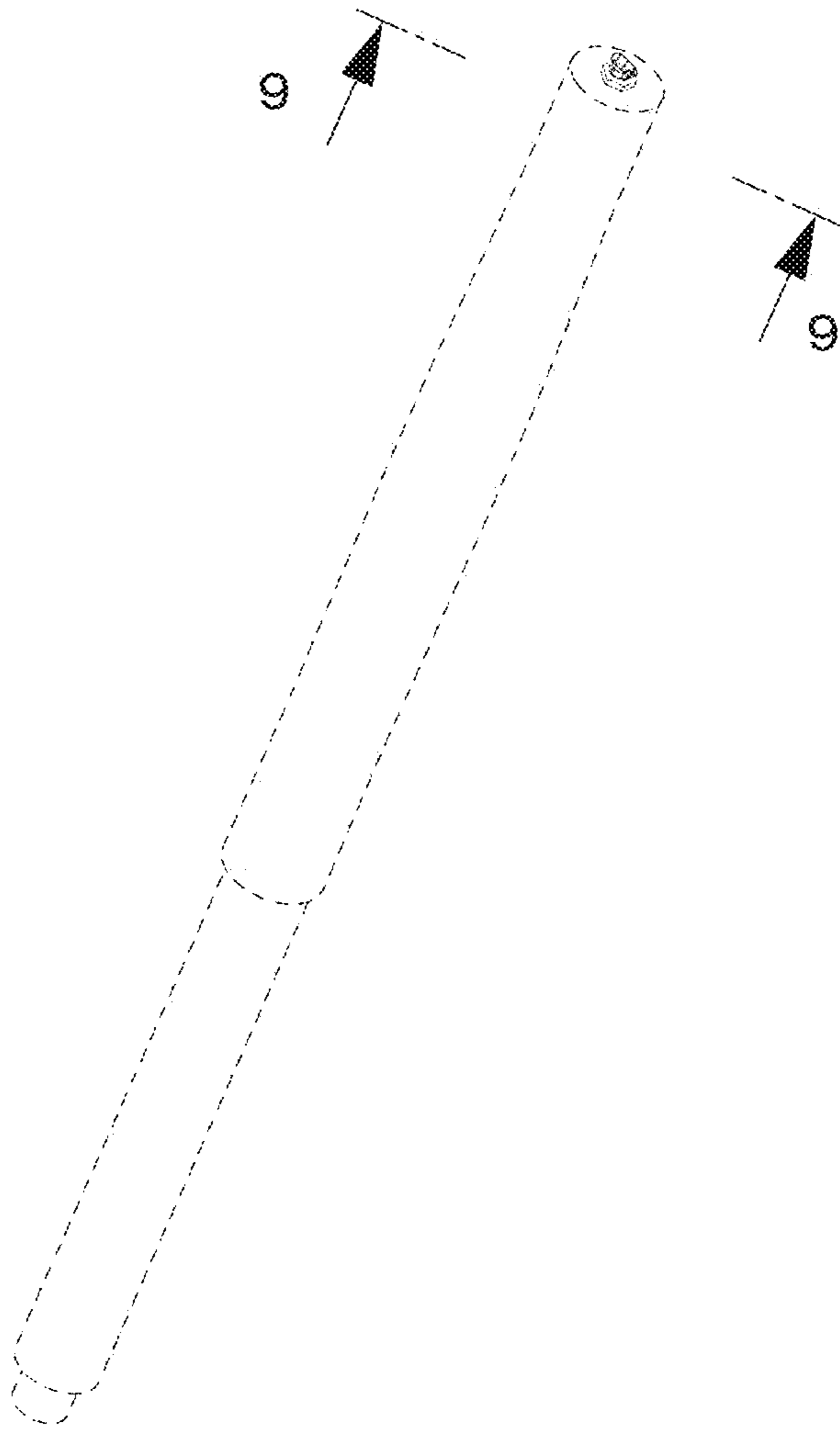


FIG.2

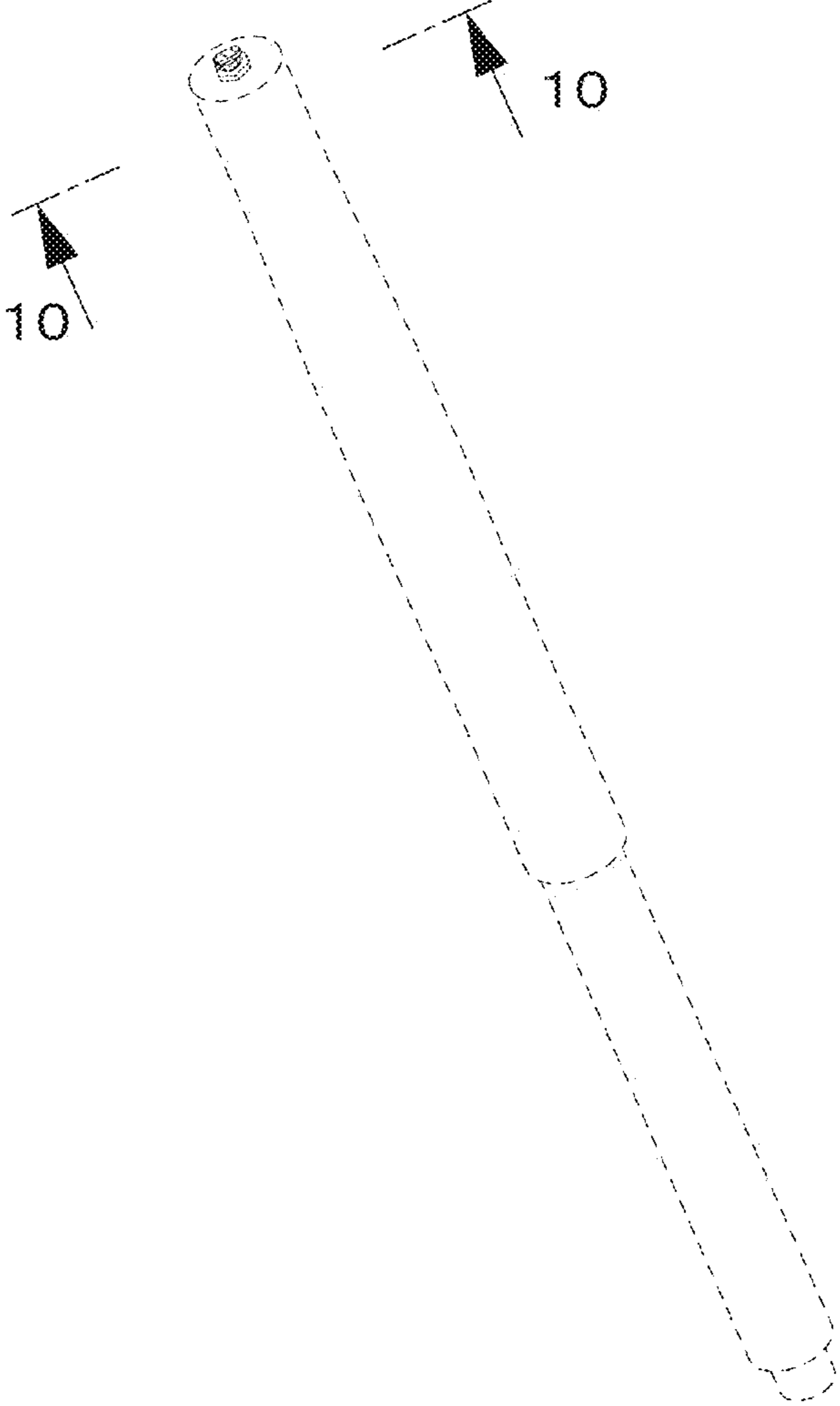


FIG.3

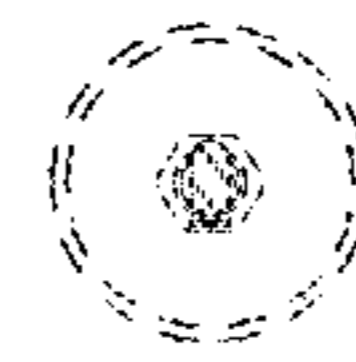


FIG.4



FIG.5

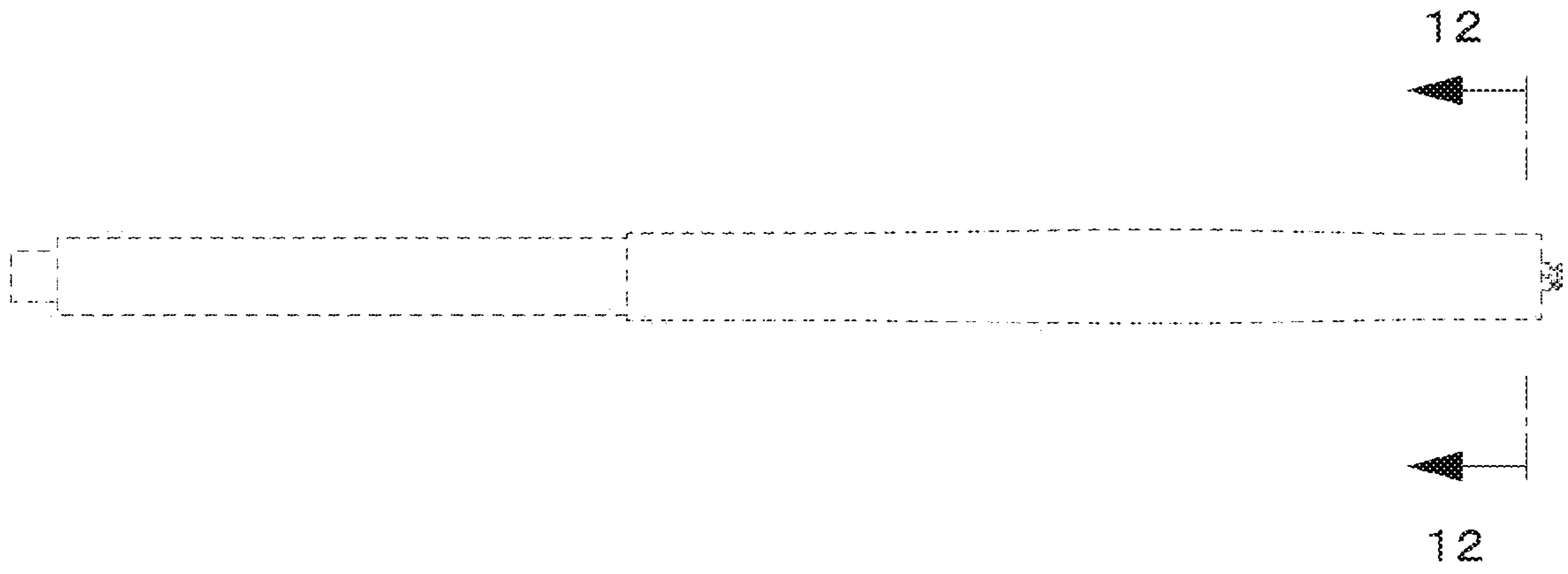


FIG.6

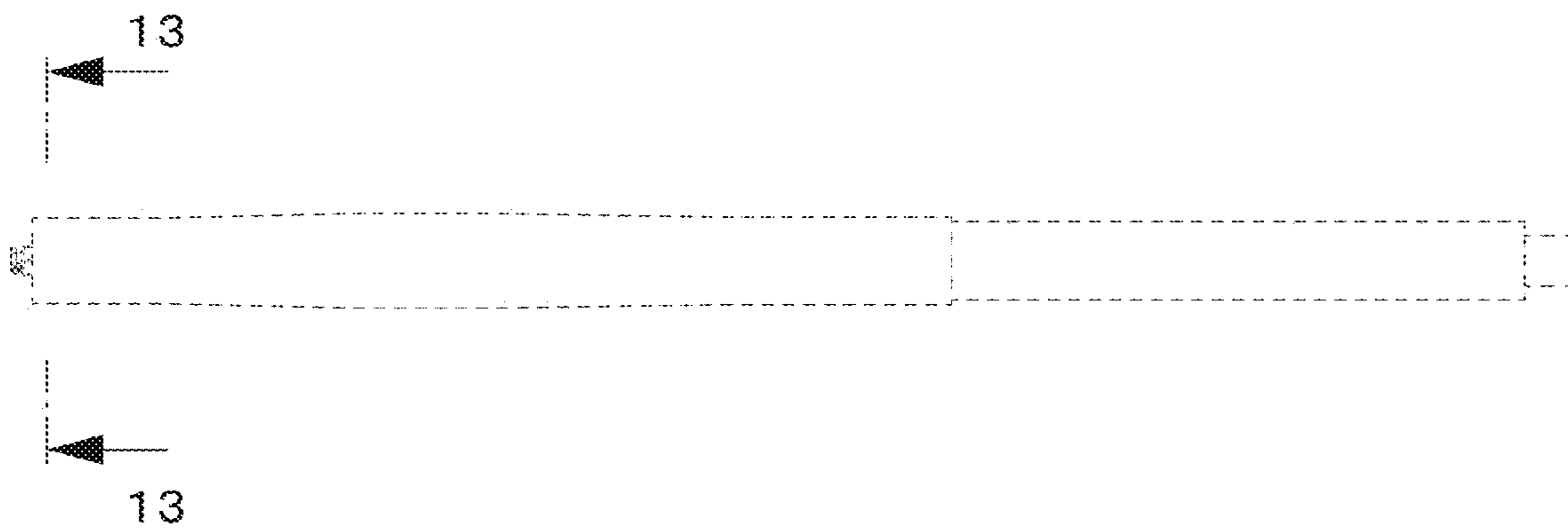


FIG. 7

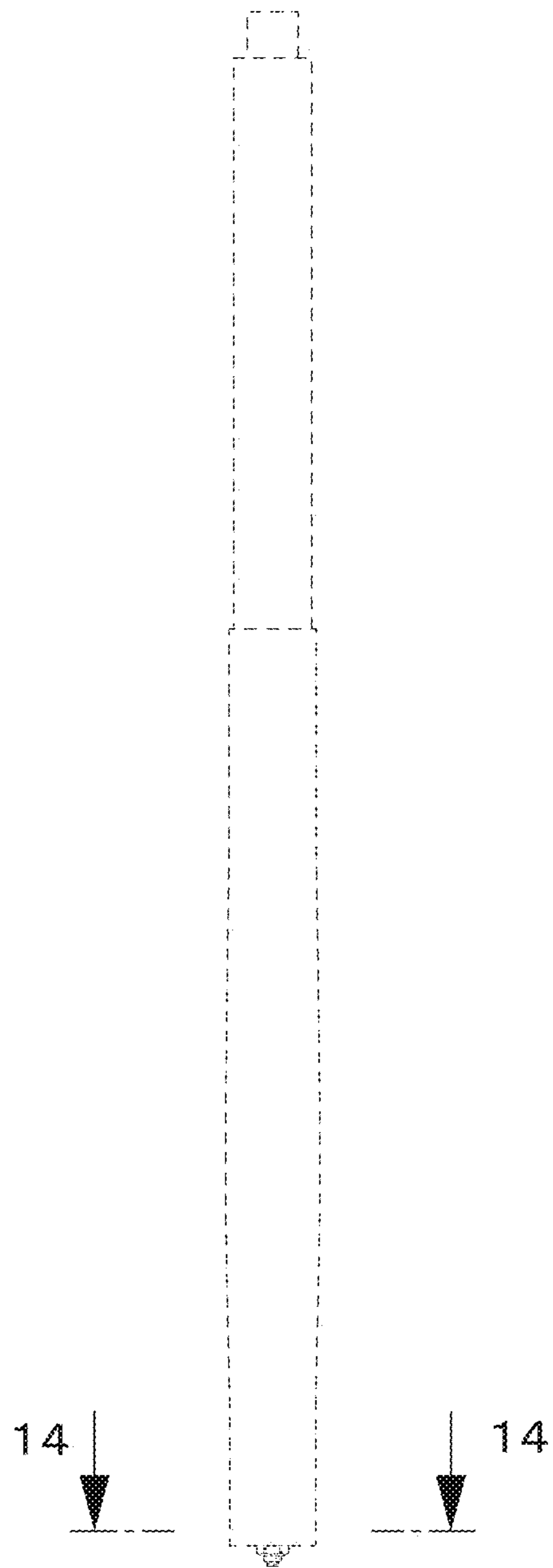


FIG.8

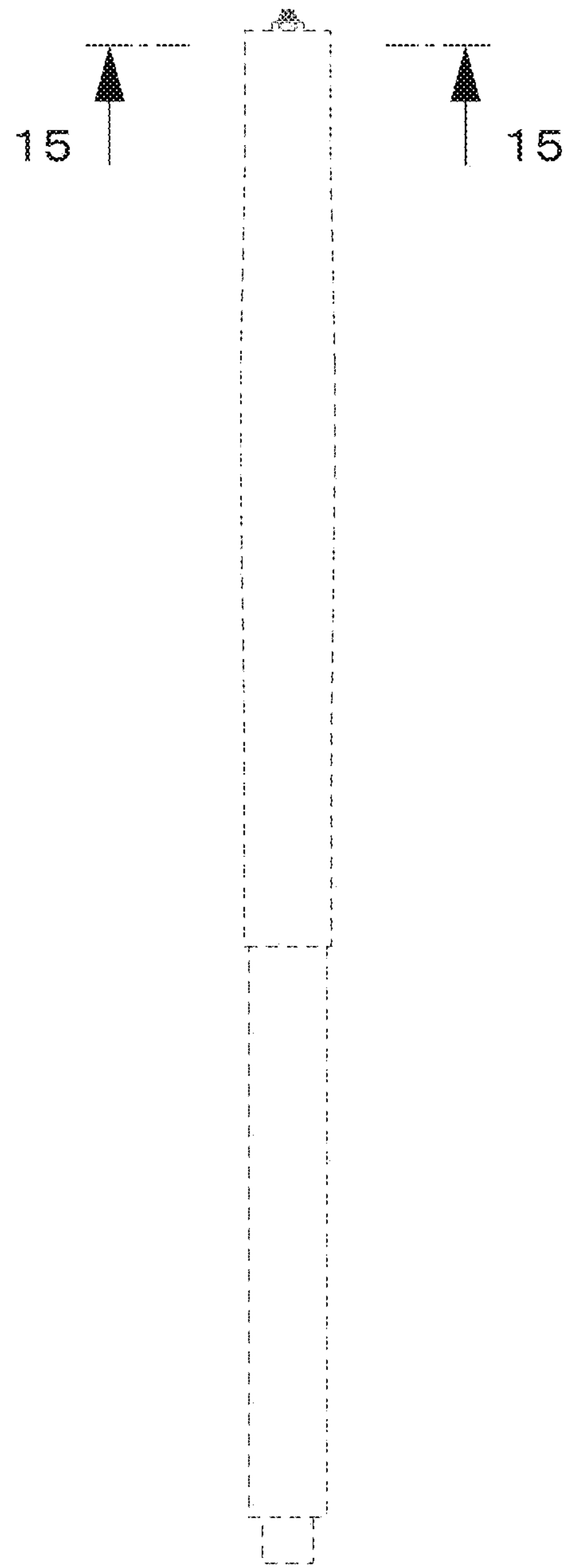


FIG.9

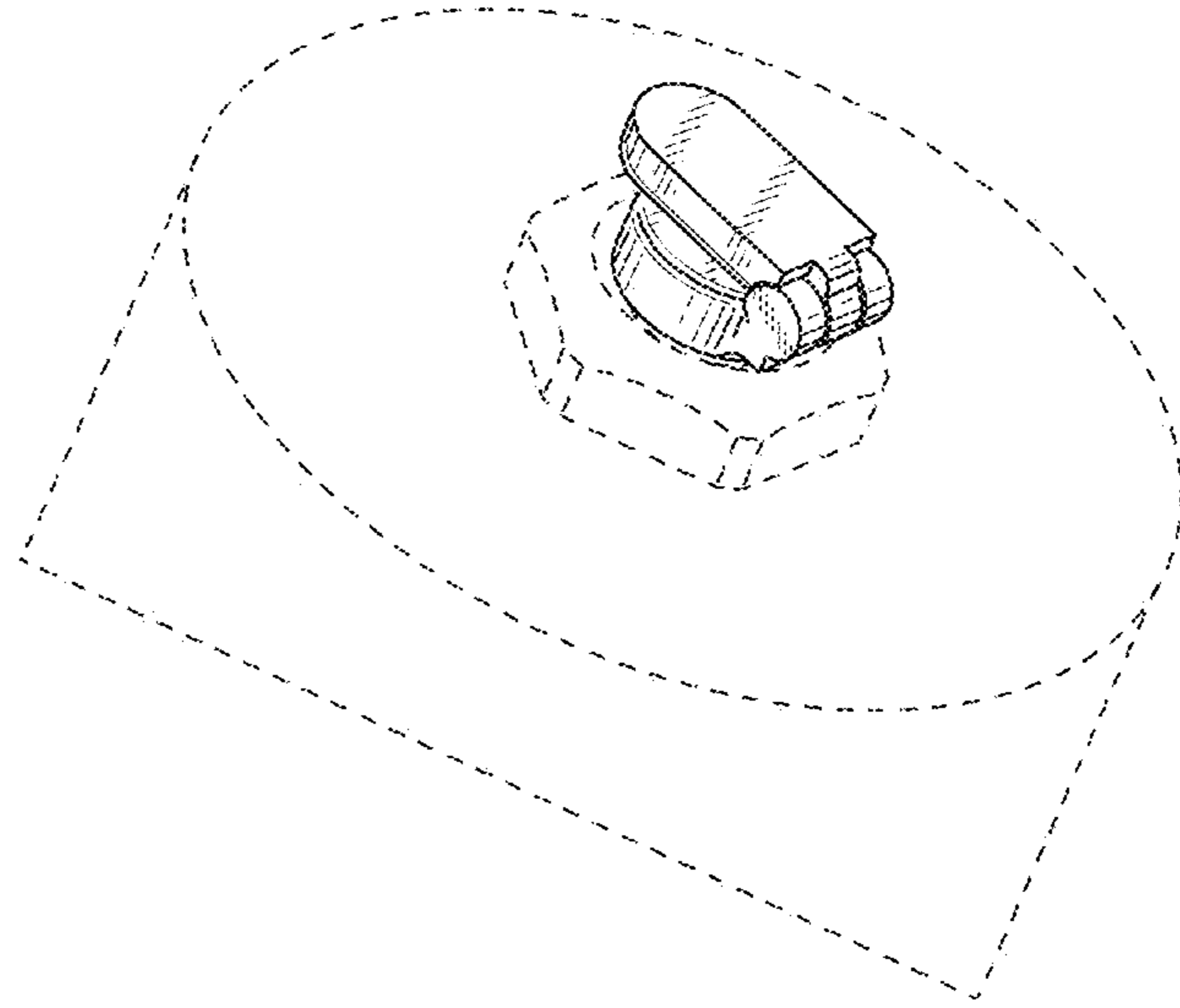


FIG.10

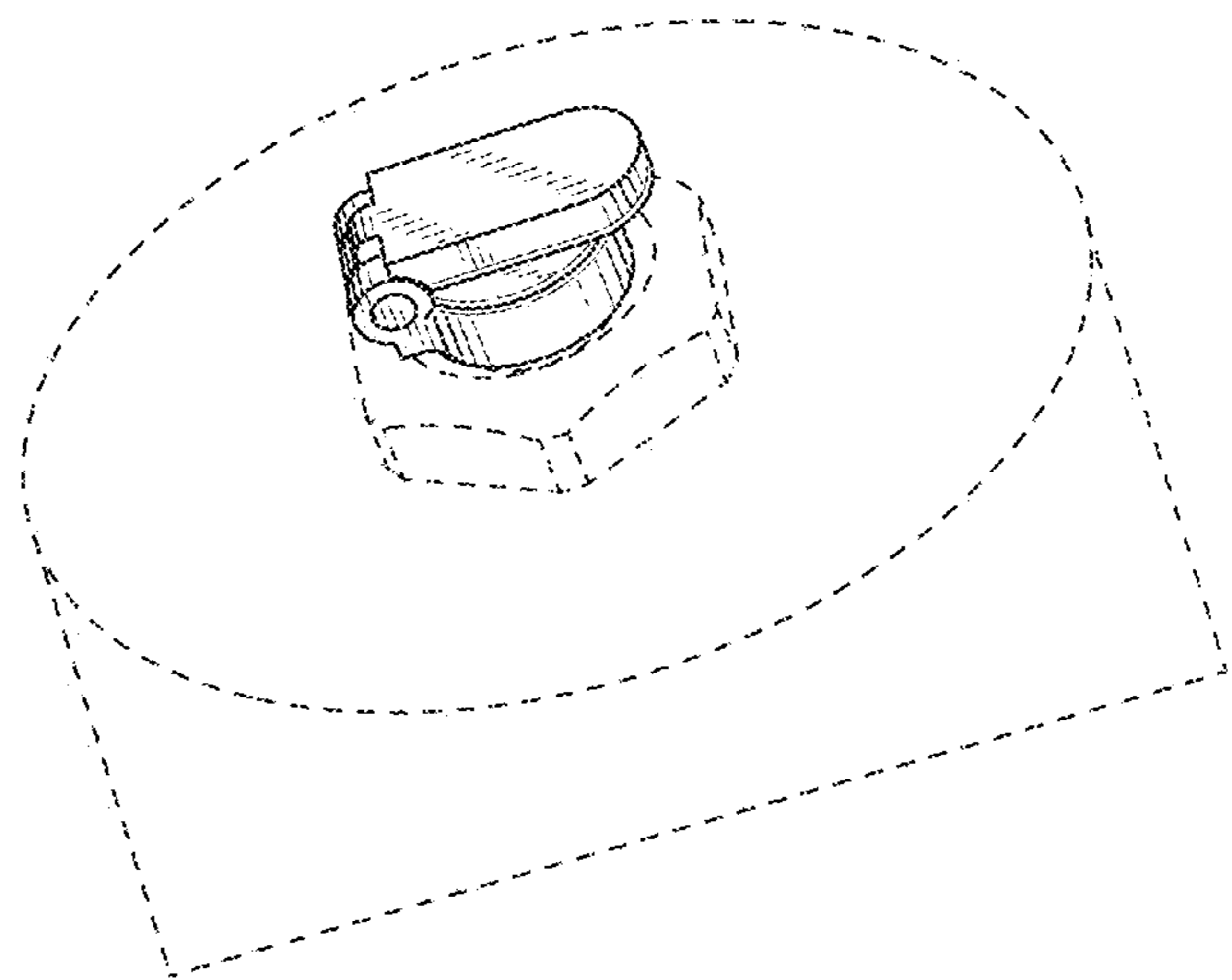


FIG. 11

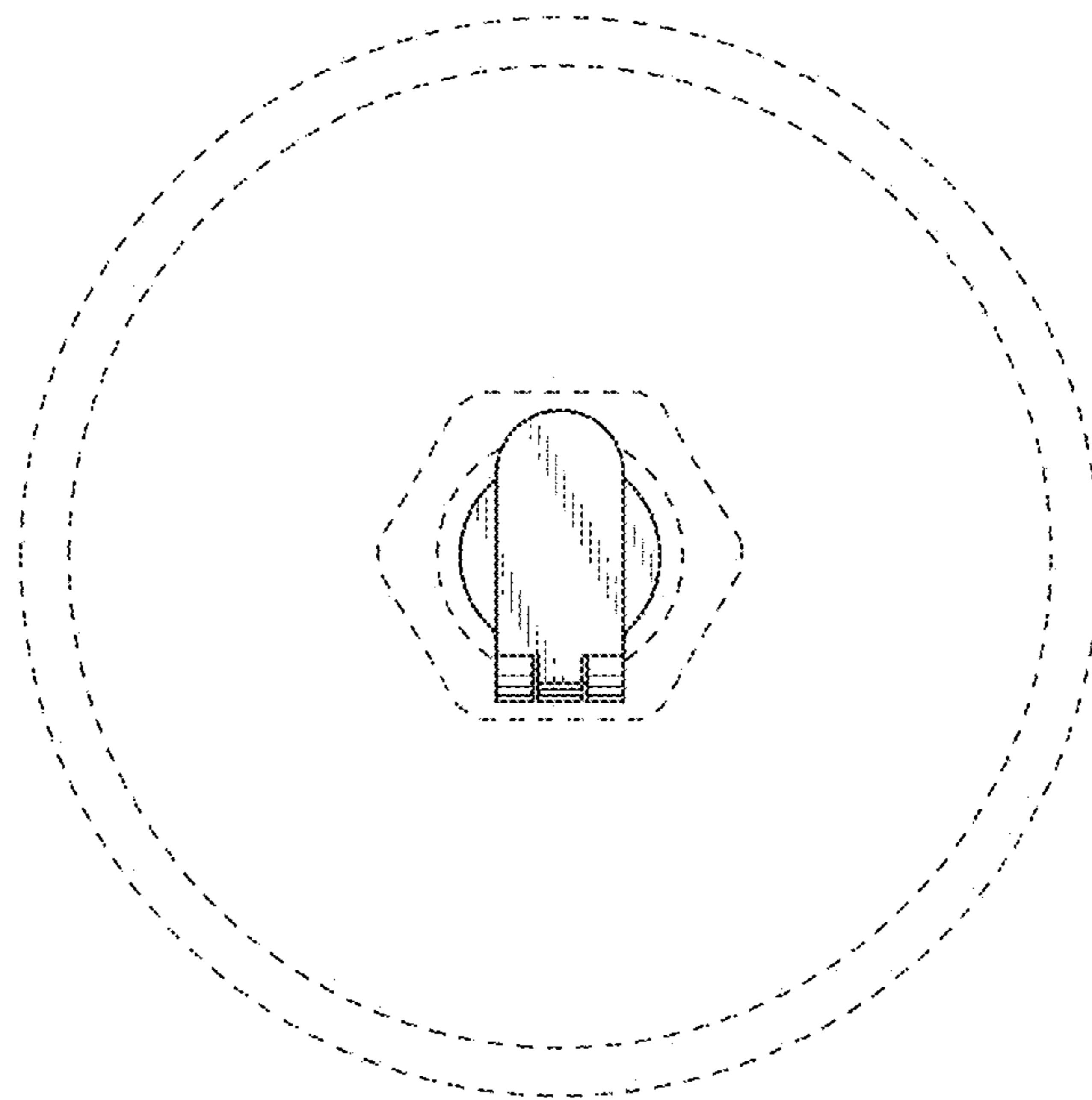


FIG. 12

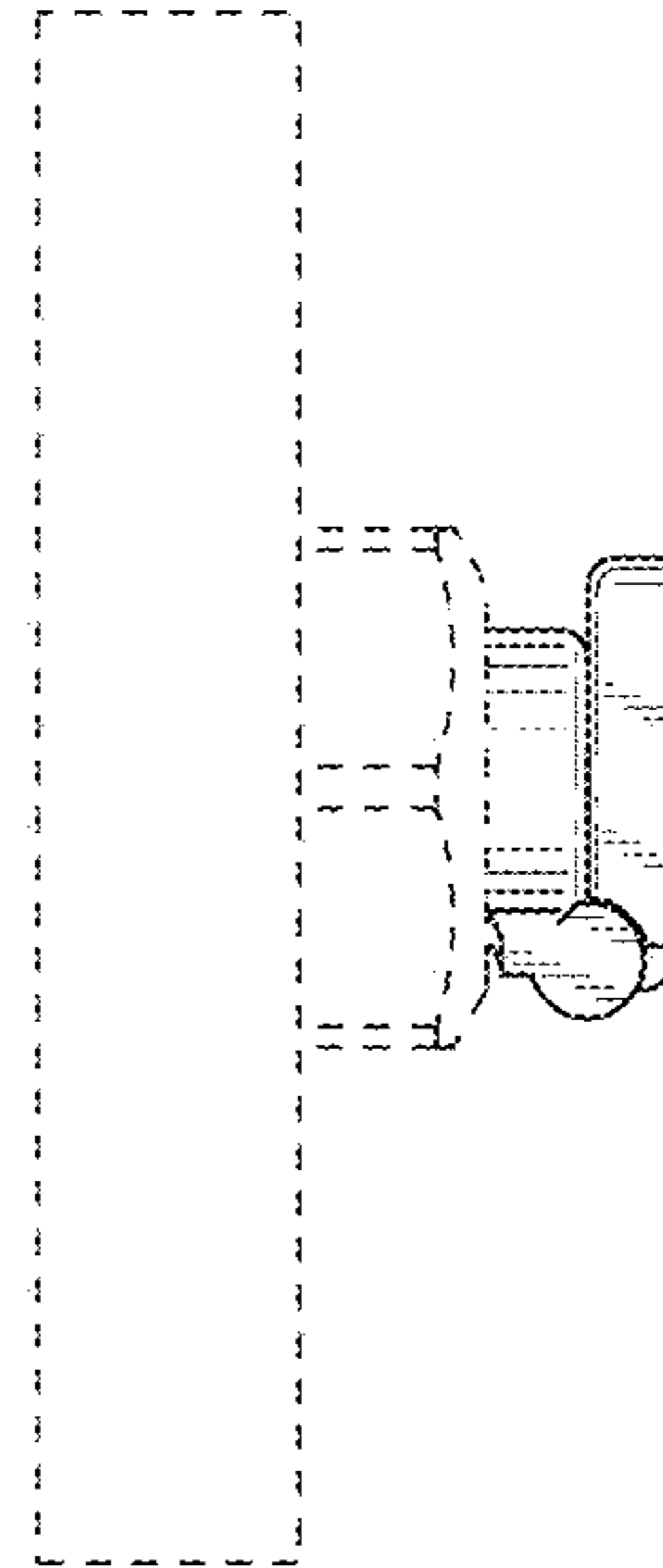


FIG. 13

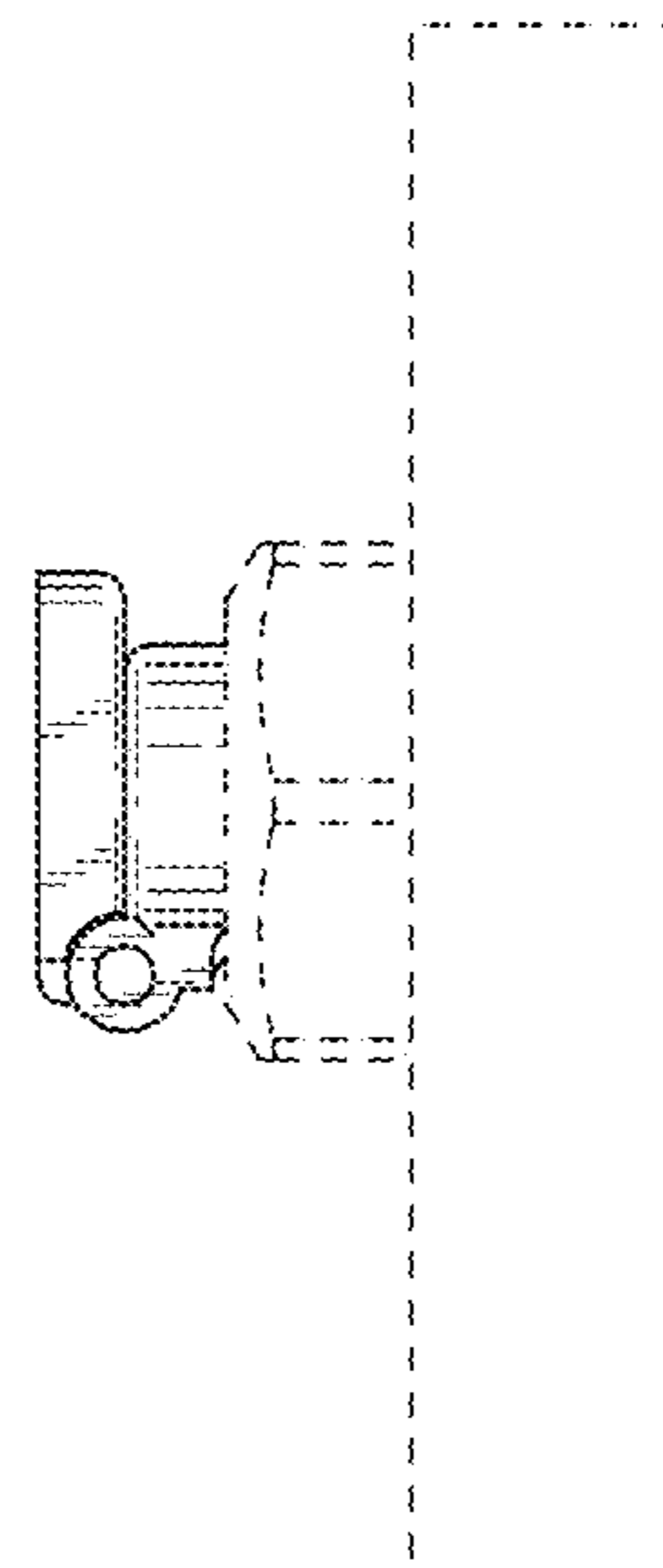


FIG.14

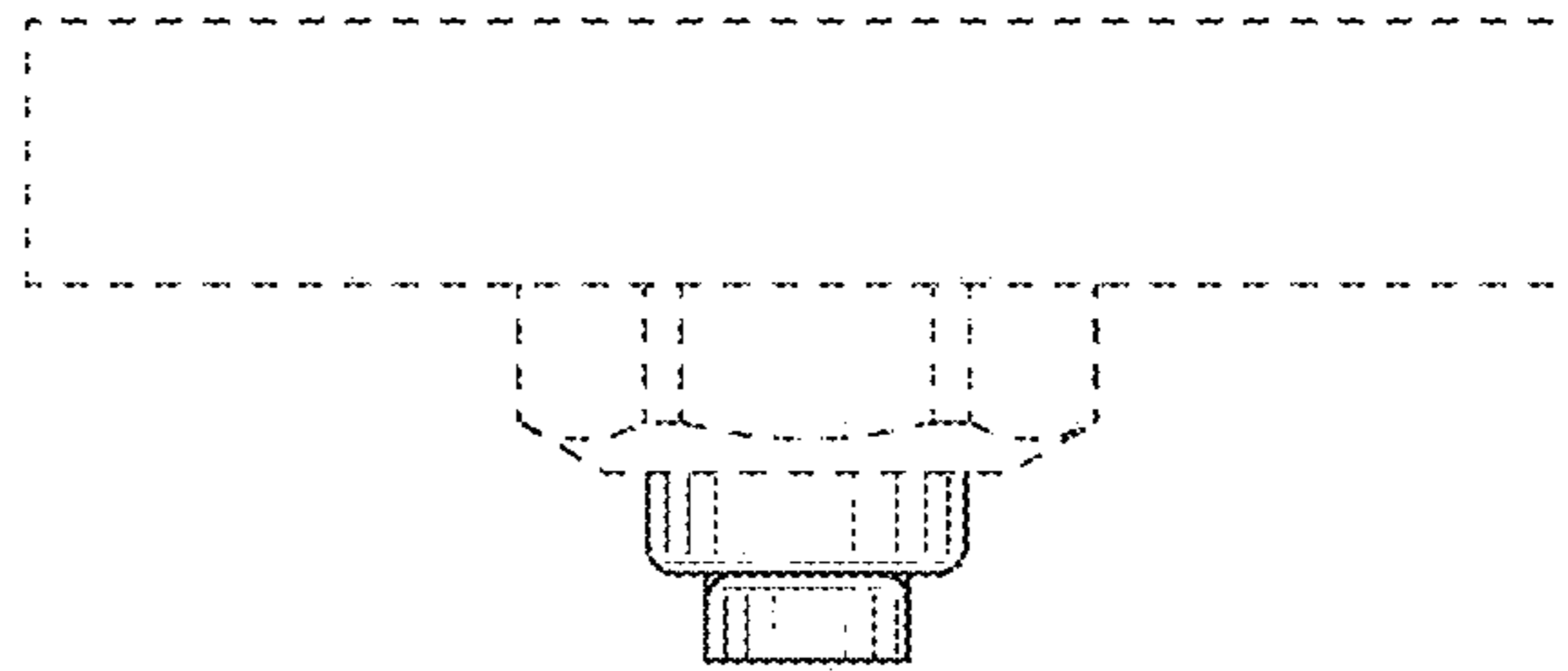


FIG.15

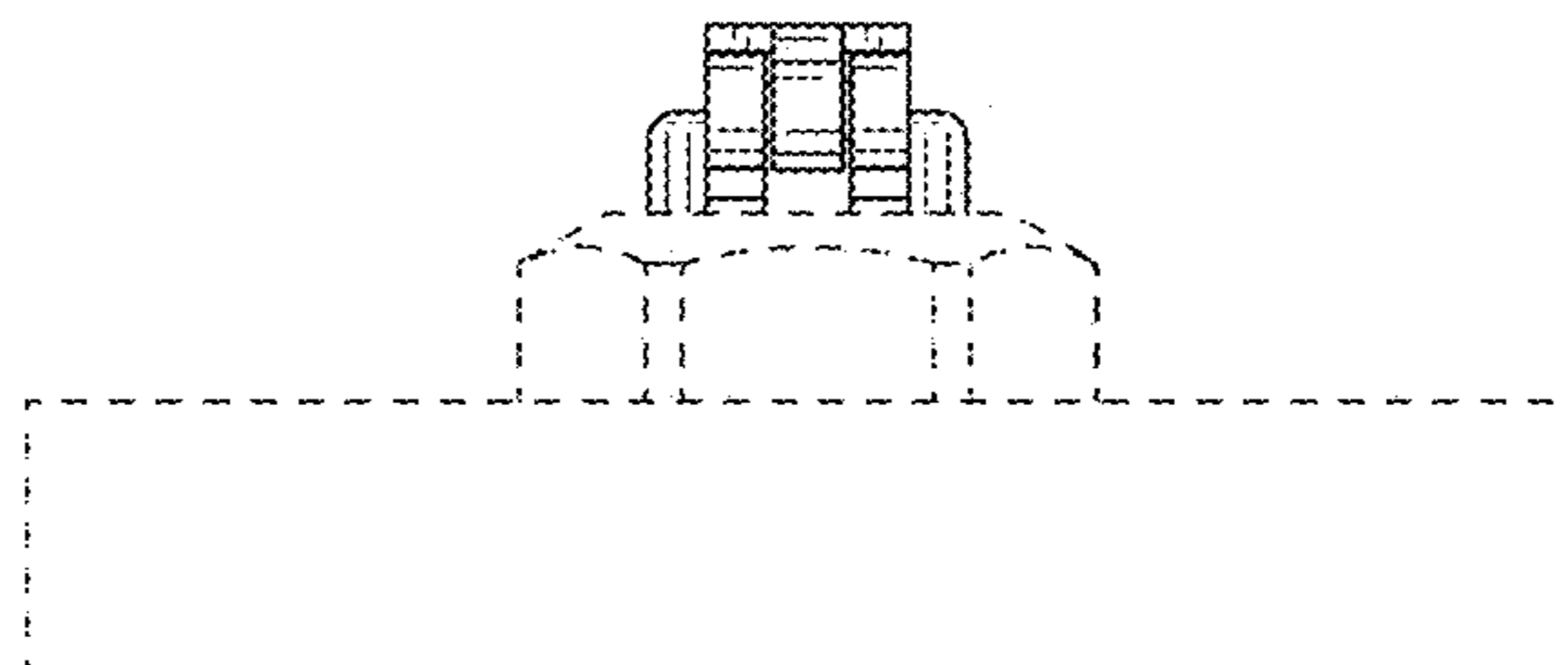


FIG.16

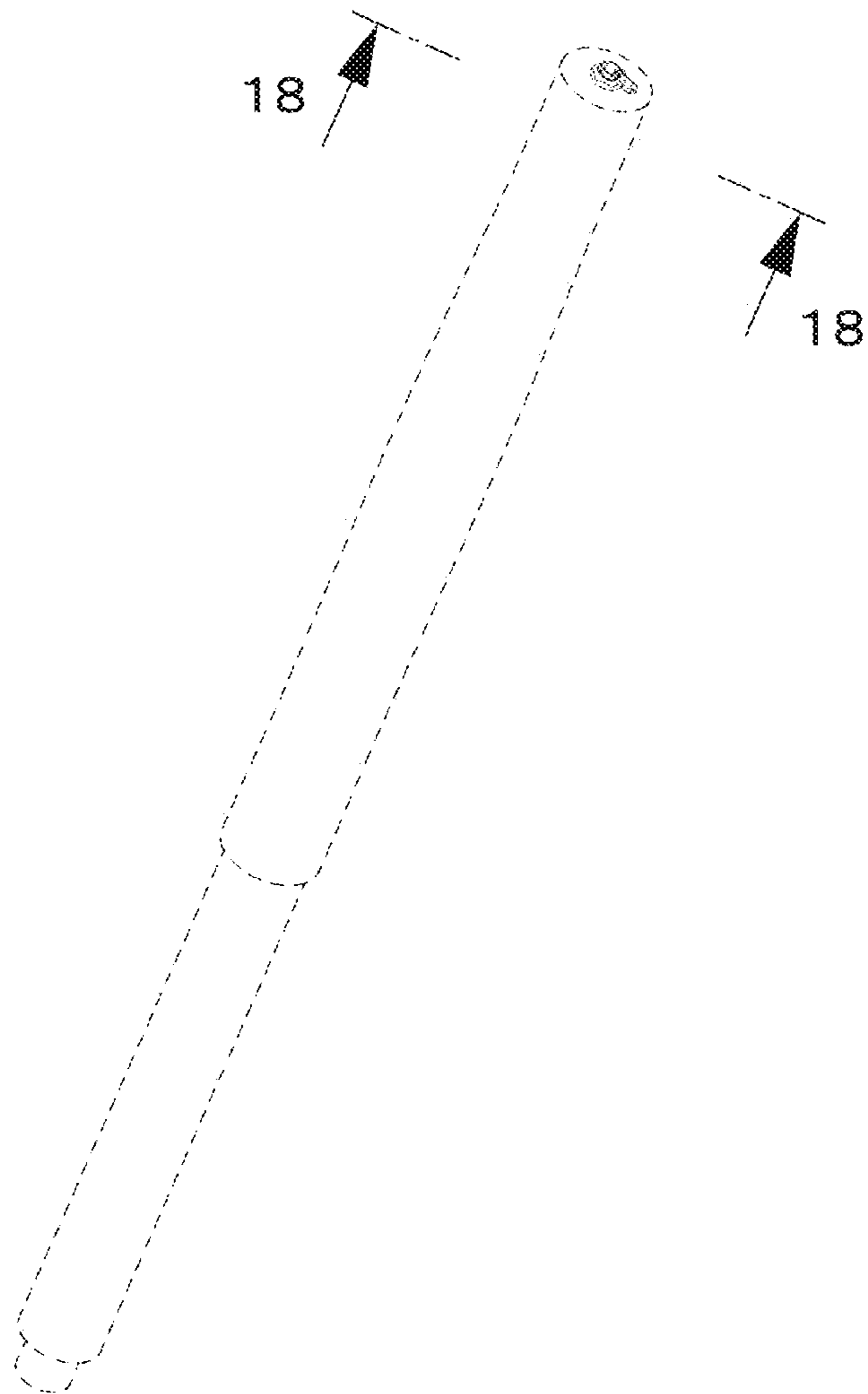


FIG.17

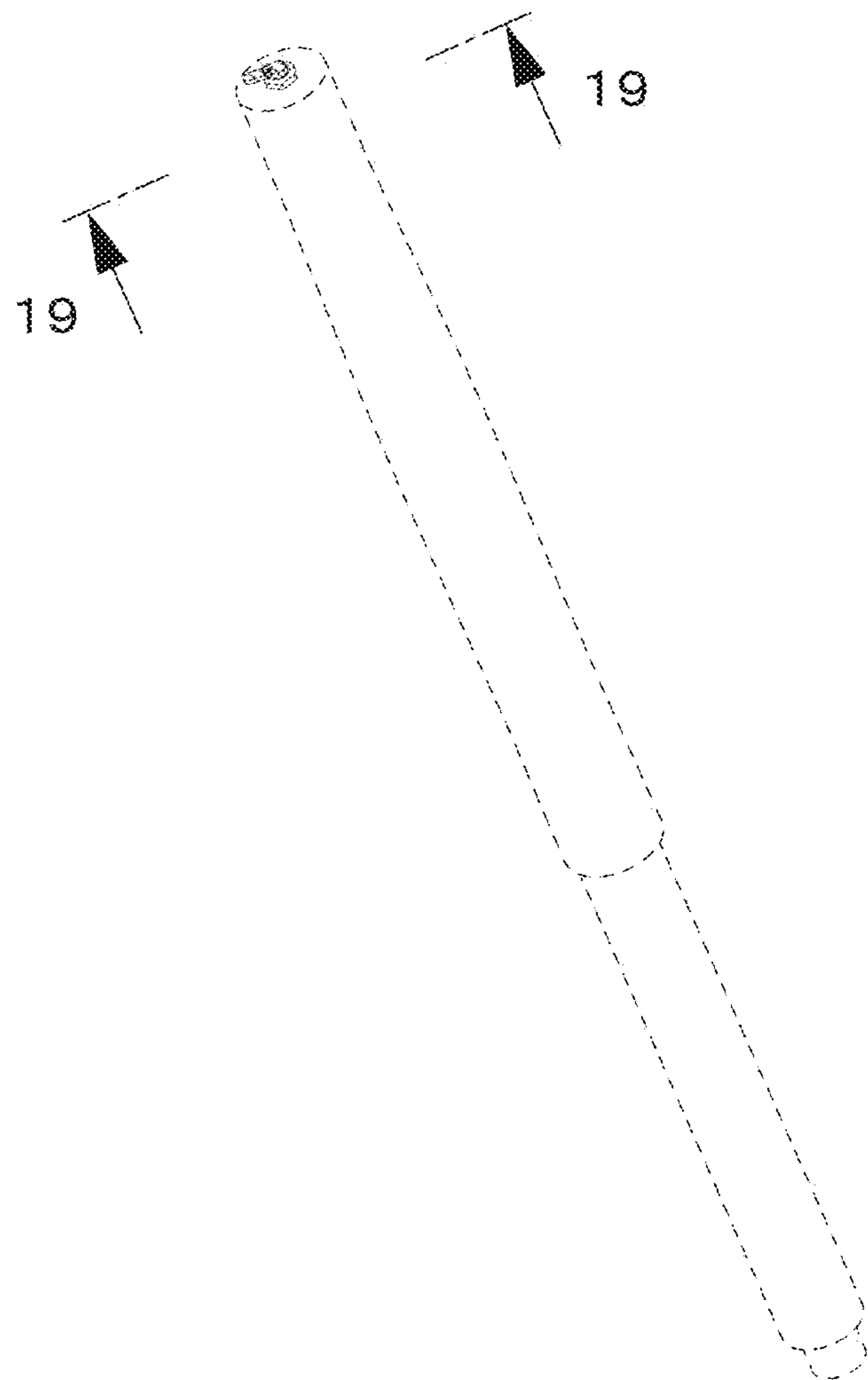


FIG.18

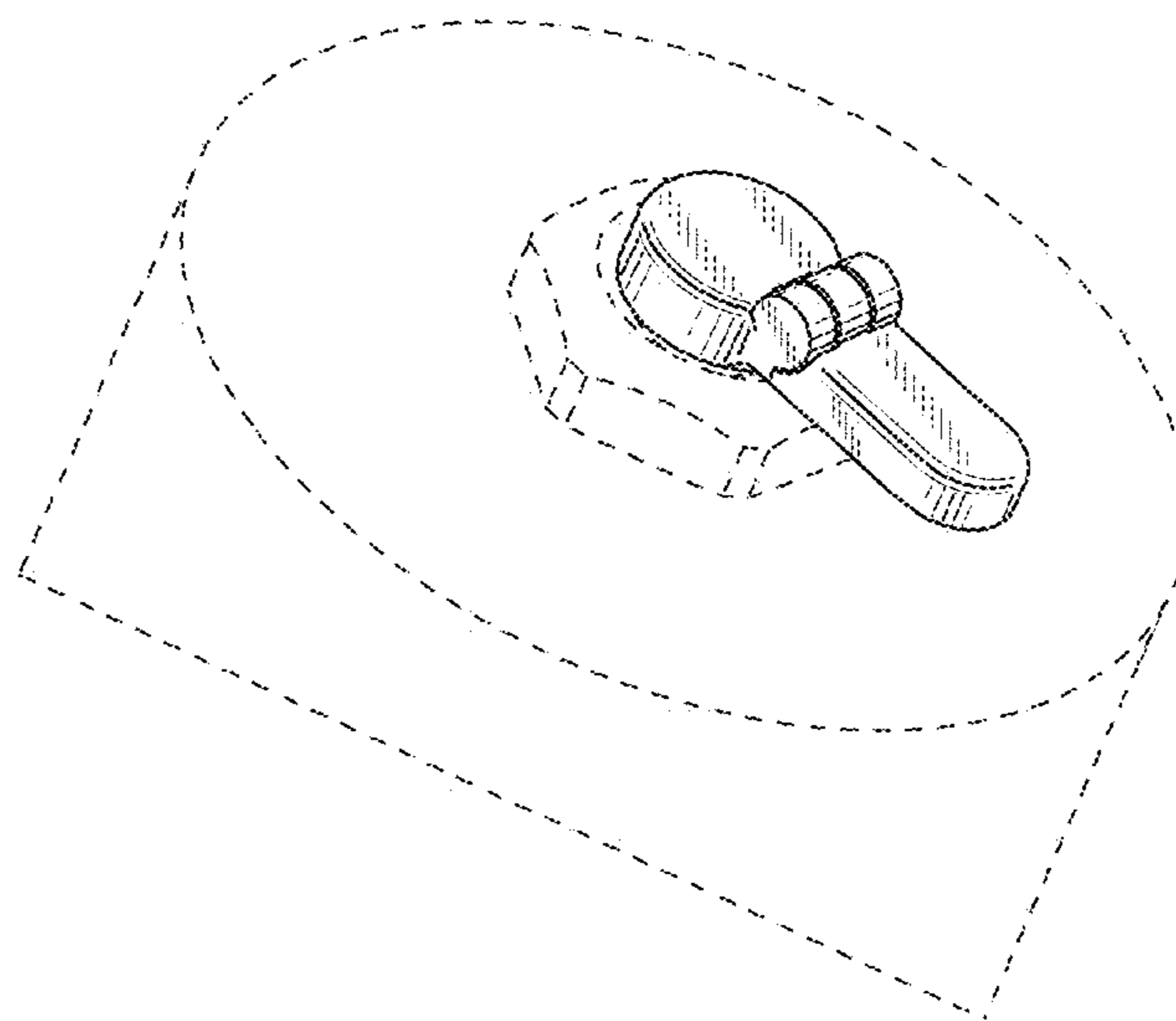


FIG.19

