



US00D956631S

(12) **United States Design Patent** (10) **Patent No.:** **US D956,631 S**
Okonsky et al. (45) **Date of Patent:** **** *Jul. 5, 2022**

(54) **ELECTRIC BIKE**
(71) Applicant: **MONDAY MOTORBIKES**, Torrance, CA (US)
(72) Inventors: **Christian Okonsky**, Austin, TX (US); **Josh Rasmussen**, Torrance, CA (US); **Darren McKeage**, Calgary (CA)
(73) Assignee: **Monday Motorbikes**, Torrance, CA (US)

D815,991 S * 4/2018 Clyde D12/110
D850,982 S * 6/2019 Zhu D12/111
D850,983 S * 6/2019 Zhu D12/111
D854,969 S * 7/2019 Gouin D12/111
D902,084 S * 11/2020 Gauthier D12/111
D909,920 S * 2/2021 Zhu D12/111
D910,496 S * 2/2021 Zhu D12/111
D910,497 S * 2/2021 Sun D12/111
D915,244 S * 4/2021 Chen D12/111
D920,848 S * 6/2021 Kuehne D12/110
2011/0115193 A1* 5/2011 Giroux B62K 19/36
280/281.1

(*) Notice: This patent is subject to a terminal disclaimer.

(**) Term: **15 Years**

(21) Appl. No.: **29/748,030**

(22) Filed: **Aug. 26, 2020**

(51) **LOC (13) Cl.** **12-11**

(52) **U.S. Cl.**
USPC **D12/111**

(58) **Field of Classification Search**
USPC D12/111, 117; D21/412, 414, 419, D21/423-428, 431-435
CPC B62K 3/00; B62K 3/02; B62K 3/06
See application file for complete search history.

(56) **References Cited**

U.S. PATENT DOCUMENTS

D253,102 S * 10/1979 Hahn D12/110
D281,615 S * 12/1985 Barbato D12/110
D406,253 S * 3/1999 Yamashita D12/110
D578,042 S * 10/2008 Yang D12/111
D645,791 S * 9/2011 Lee D12/110
D650,724 S * 12/2011 Chiang D12/111
D727,214 S * 4/2015 Yang D12/111
D730,779 S * 6/2015 Arbour D12/111
D789,836 S * 6/2017 Gouin D12/111
D803,103 S * 11/2017 Clyde D12/110

OTHER PUBLICATIONS

“Presidio Motorbike” Monday Motorbike., posted date Feb. 3, 2021 [online], [retrieved on Sep. 23, 2021]. Retrieved from the Internet <URL:https://mondaymotorbikes.com/products/presidio-motorbike> (Year: 2021).*

(Continued)

Primary Examiner — Darlington Ly

Assistant Examiner — Nasim Abdulaziz Ali

(74) *Attorney, Agent, or Firm* — Kowert, Hood, Munyon, Rankin & Goetzl, P.C.; Gareth M. Sampson

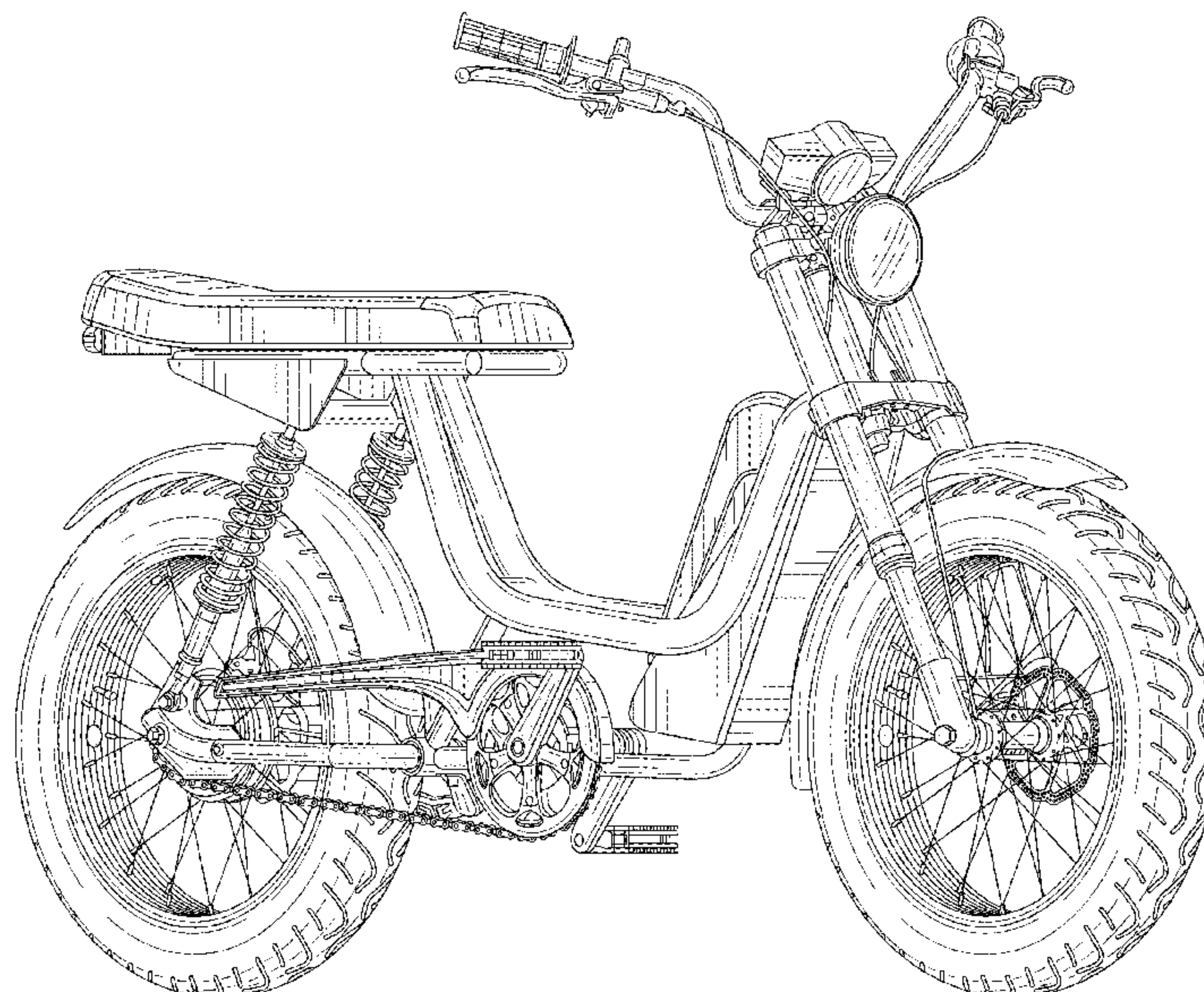
(57) **CLAIM**

The ornamental design for an electric bike, as shown and described.

DESCRIPTION

FIG. 1 is a right side elevation view of an electric bike embodying our new design;
FIG. 2 is a left side elevation view thereof;
FIG. 3 is a front and right side perspective view thereof;
FIG. 4 is a rear and left side perspective view thereof;
FIG. 5 is a front elevation view thereof;
FIG. 6 is a rear elevation view thereof; and,
FIG. 7 is a top plan view thereof.

1 Claim, 7 Drawing Sheets



(56)

References Cited

OTHER PUBLICATIONS

“Monday Motorbikes Presidio” Monday Motorbike., posted date Oct. 14, 2020 [online], [retrieved on Sep. 23, 2021]. Retrieved from the Internet <URL:<https://electrek.co/2020/10/14/monday-motorbikes-presidio-unveiled-as-latest-affordable-electric-moped/>> (Year: 2020).*

“Monday Motorbikes Presents New \$2000 EV Moped” Monday Motorbikes., posted date Oct. 15, 2020 [online], [retrieved on Sep. 23, 2021]. Retrieved from the Internet <URL:<https://www.webbikeworld.com/monday-motorbikes-presents-new-2000-ev-moped/>> (Year: 2020).*

* cited by examiner

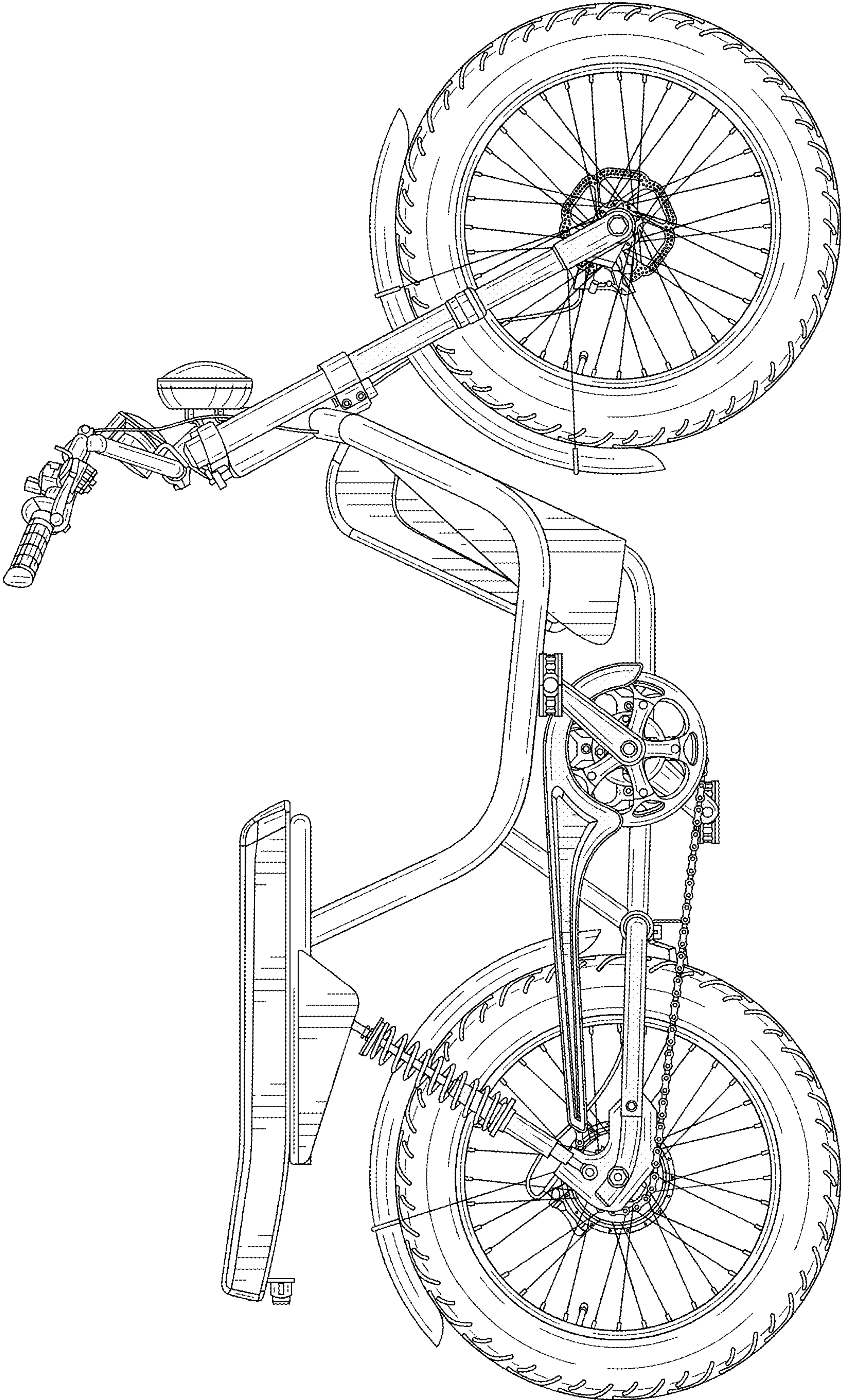


FIG. 1

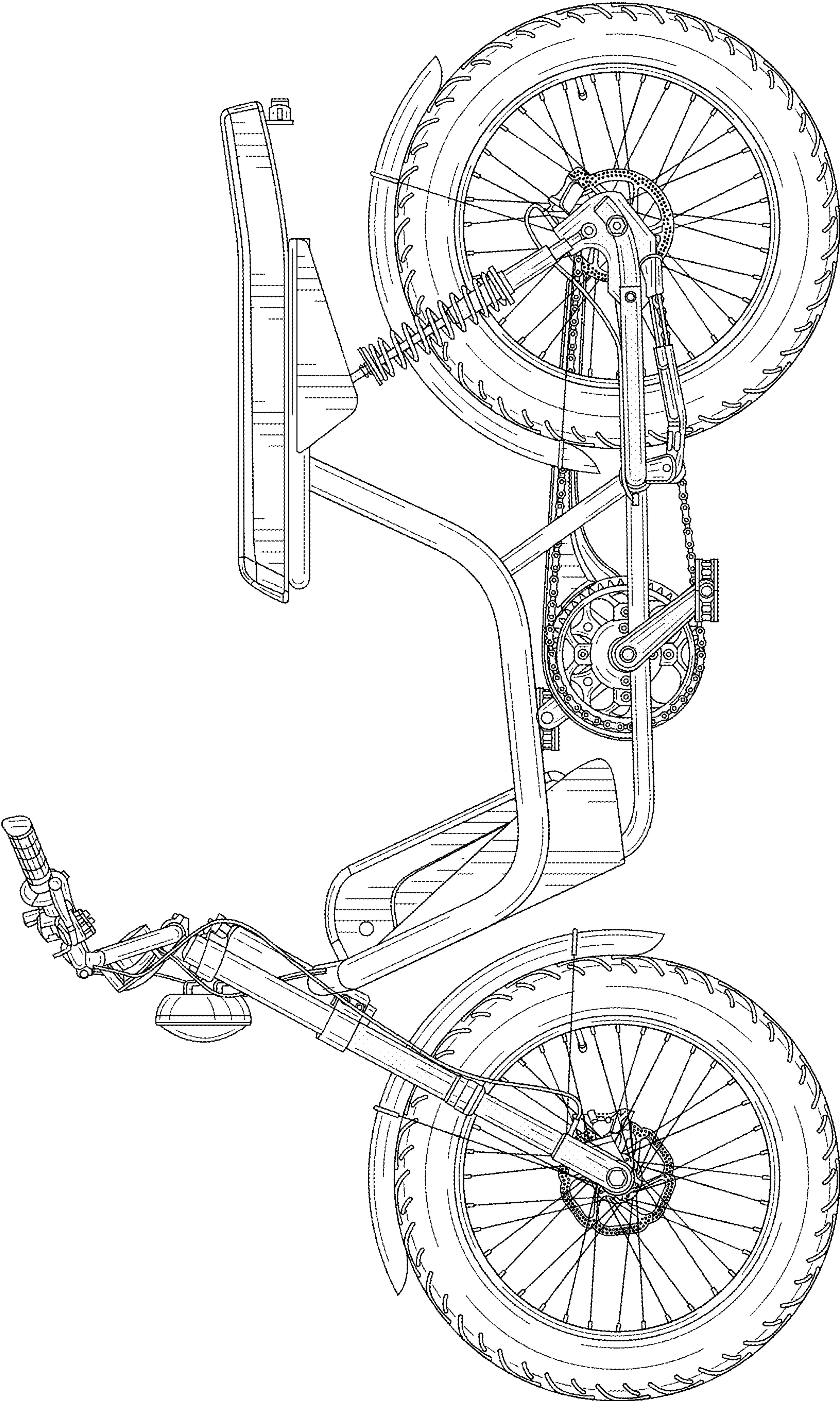


FIG. 2

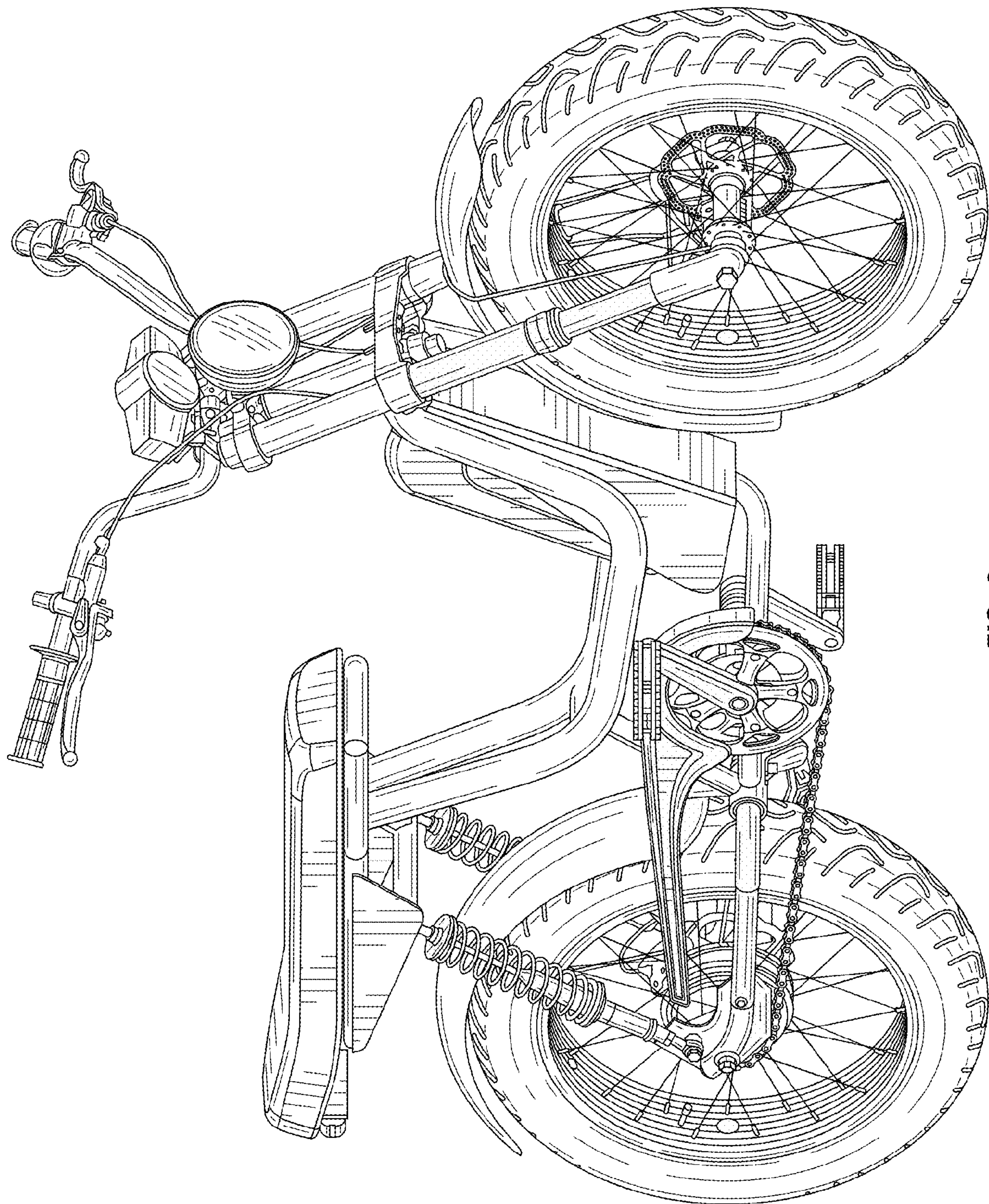


FIG. 3

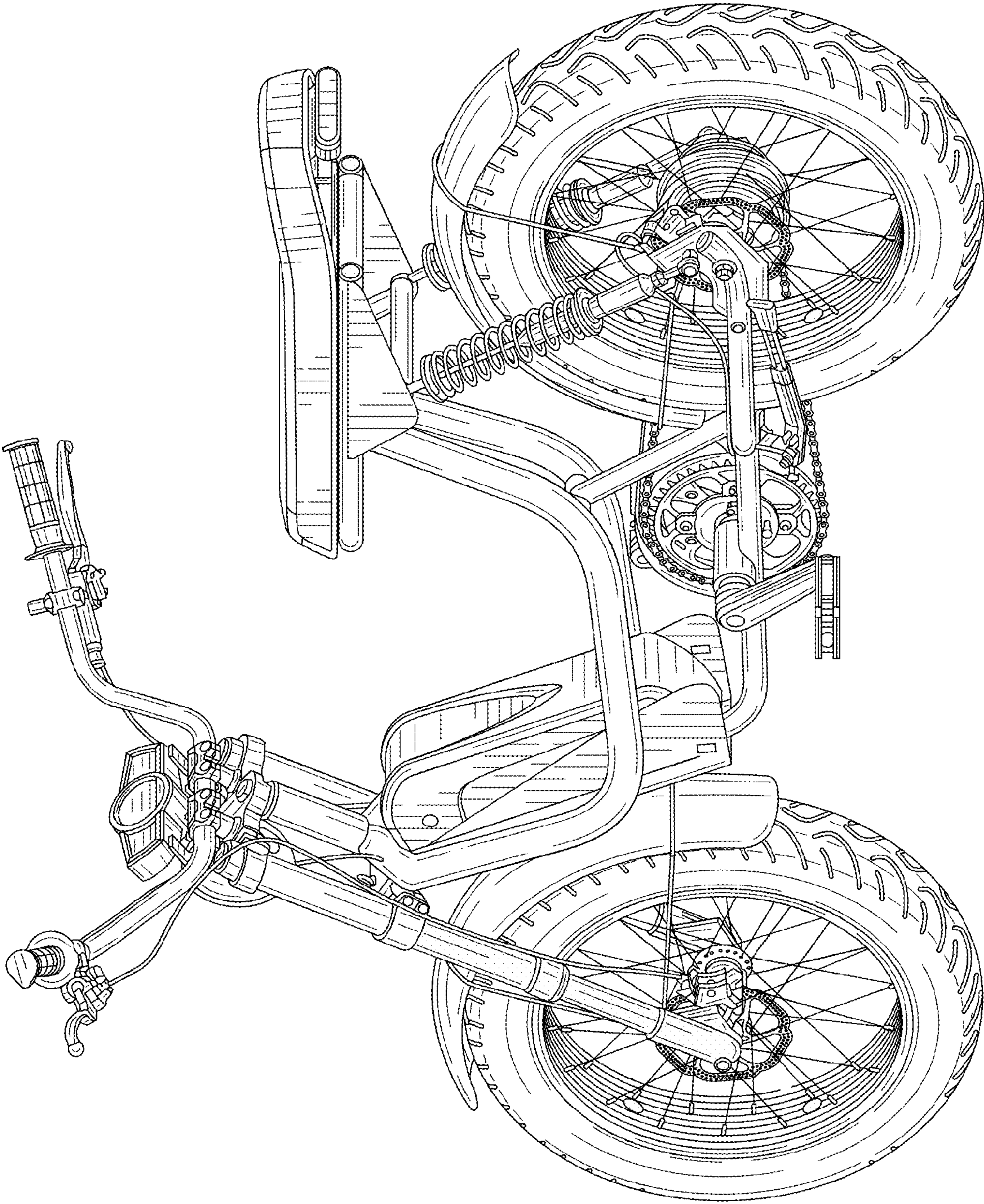


FIG. 4

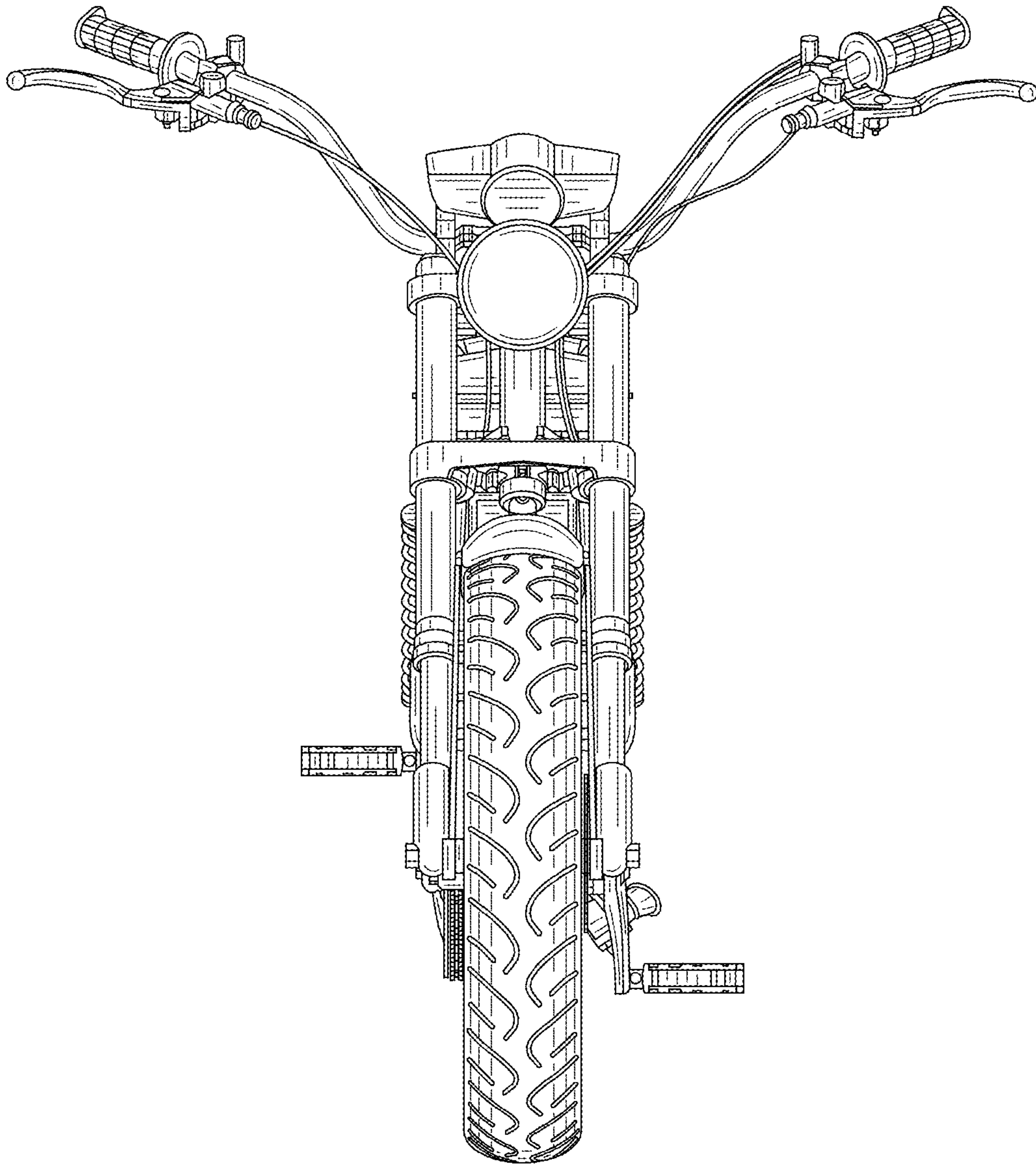


FIG. 5

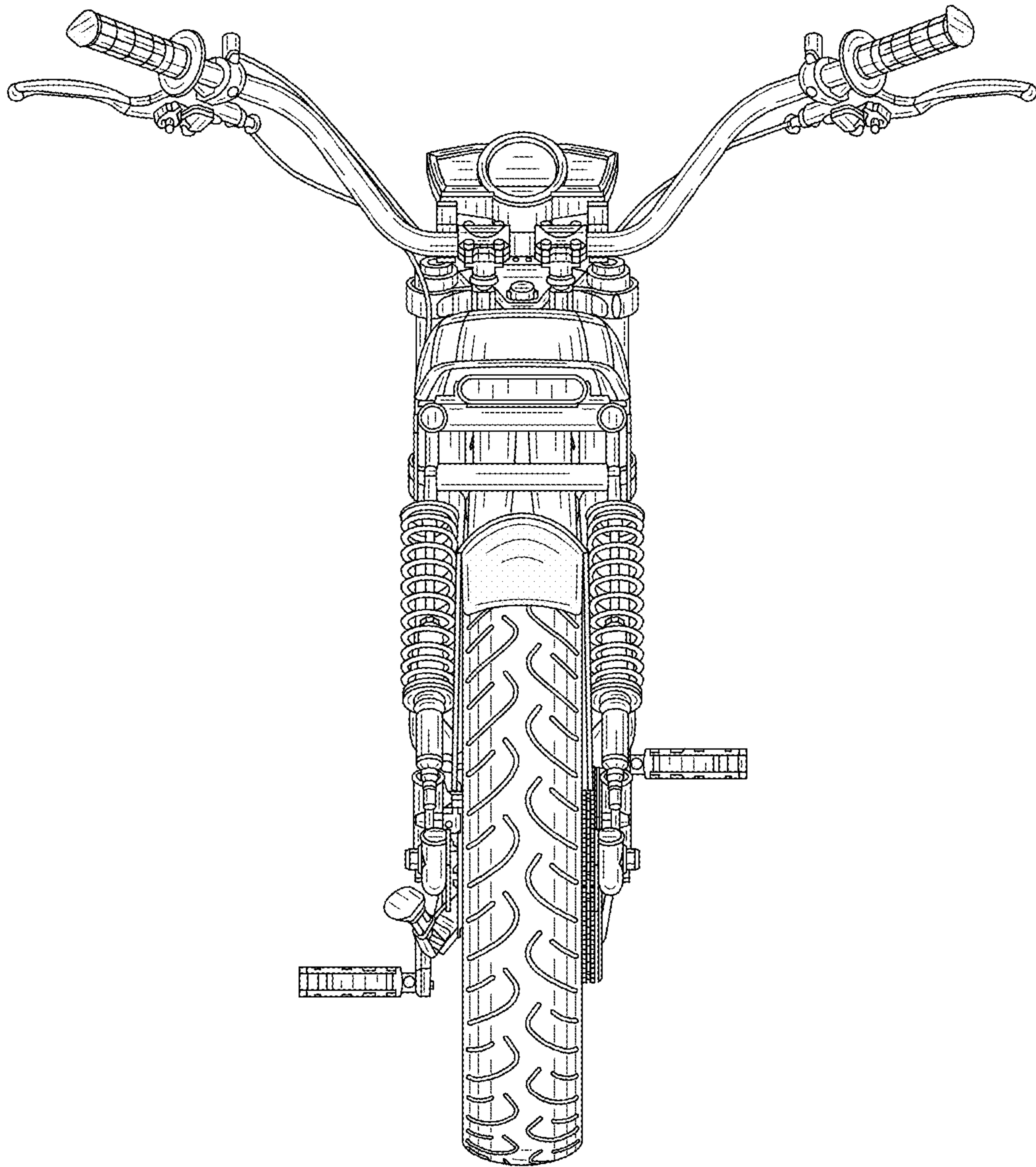


FIG. 6

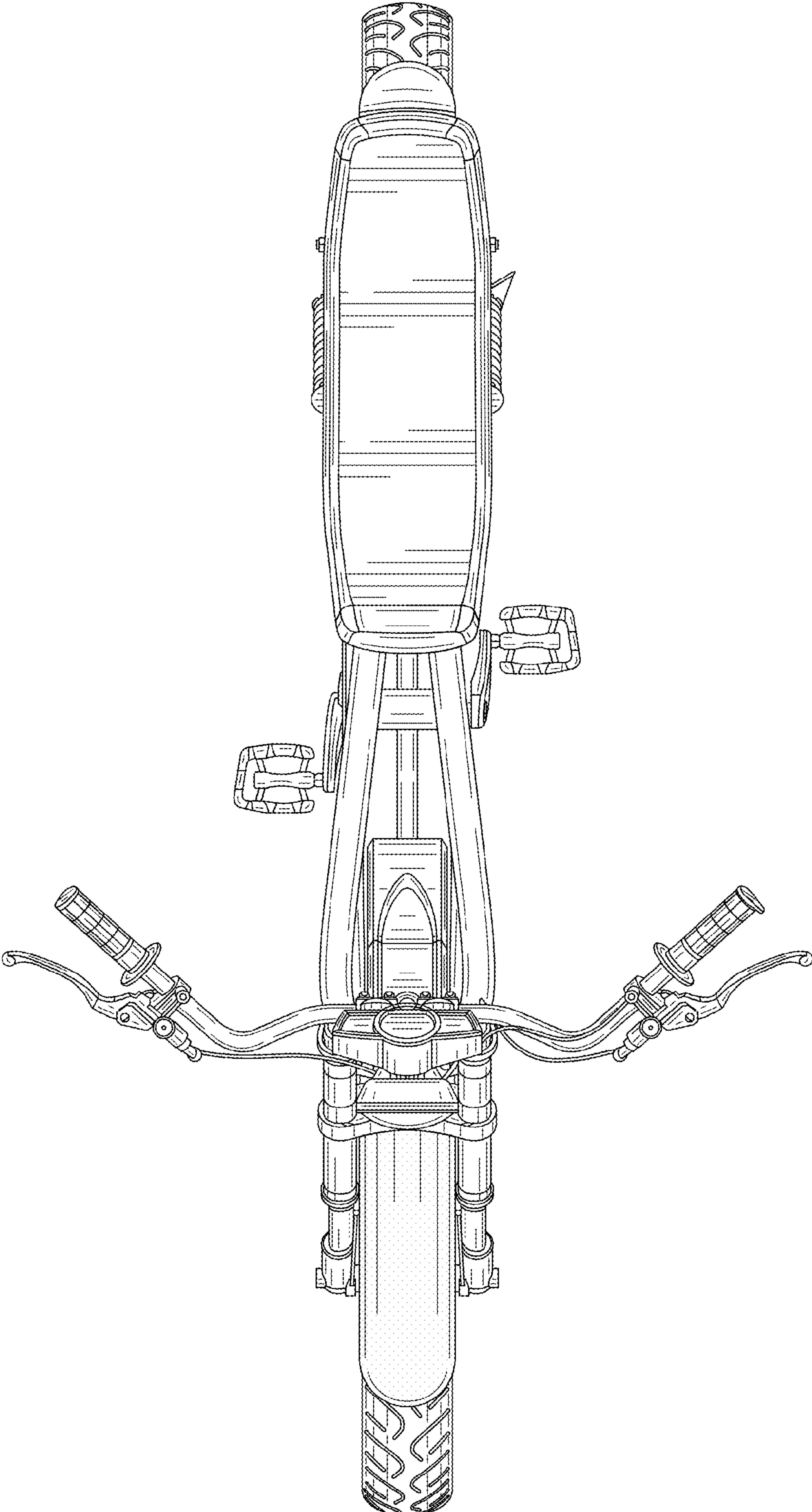


FIG. 7