



US00D956630S

(12) **United States Design Patent**
Ito

(10) **Patent No.:** **US D956,630 S**
(45) **Date of Patent:** **** Jul. 5, 2022**

(54) **ELECTRIC MOTORCYCLE**

(71) Applicant: **DirtFreak Co., Ltd.**, Aichi (JP)

(72) Inventor: **Takafumi Ito**, Seto (JP)

(**) Term: **15 Years**

(21) Appl. No.: **35/510,149**

(22) Filed: **Feb. 21, 2020**

(80) **Hague Agreement Data**

Int. Filing Date: **Feb. 21, 2020**
Int. Reg. No.: **DM/207105**
Int. Reg. Date: **Feb. 21, 2020**
Int. Reg. Pub. Date: **Aug. 21, 2020**

(51) **LOC (13) Cl.** **12-11**

(52) **U.S. Cl.**
USPC **D12/110**

(58) **Field of Classification Search**
USPC D12/107, 109, 110–113
CPC B62D 61/00; B62D 61/02; B62K 11/00;
B62K 11/10
See application file for complete search history.

(56) **References Cited**

U.S. PATENT DOCUMENTS

D724,496 S * 3/2015 Takeda B62M 9/02
D12/110
D810,629 S * 2/2018 Ytterborn B62H 1/02
D12/110

D820,732 S * 6/2018 Francis D12/110
D885,983 S * 6/2020 Ytterborn D12/110
D904,233 S * 12/2020 Konkel D12/110
2015/0122568 A1 * 5/2015 Eguchi B62H 1/02
180/220
2020/0216138 A1 * 7/2020 Reitinger B62M 9/02

* cited by examiner

Primary Examiner — Joseph Kukella

(57) **CLAIM**

The ornamental design for an electric motorcycle, as shown and described.

DESCRIPTION

1. Electric motorcycle

1.1 : Front

1.2 : Left

1.3 : Right

1.4 : Back

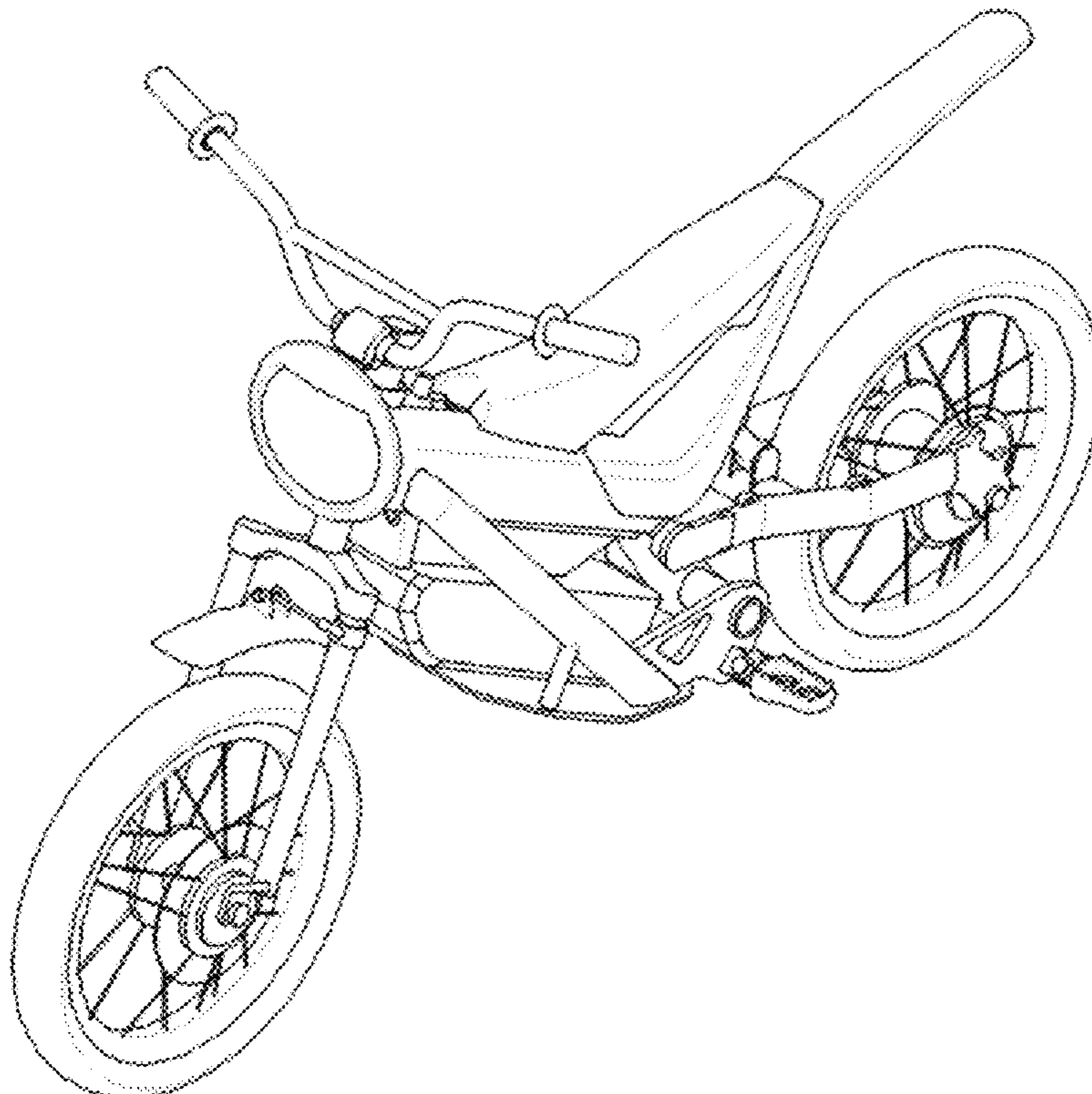
1.5 : Top

1.6 : Bottom

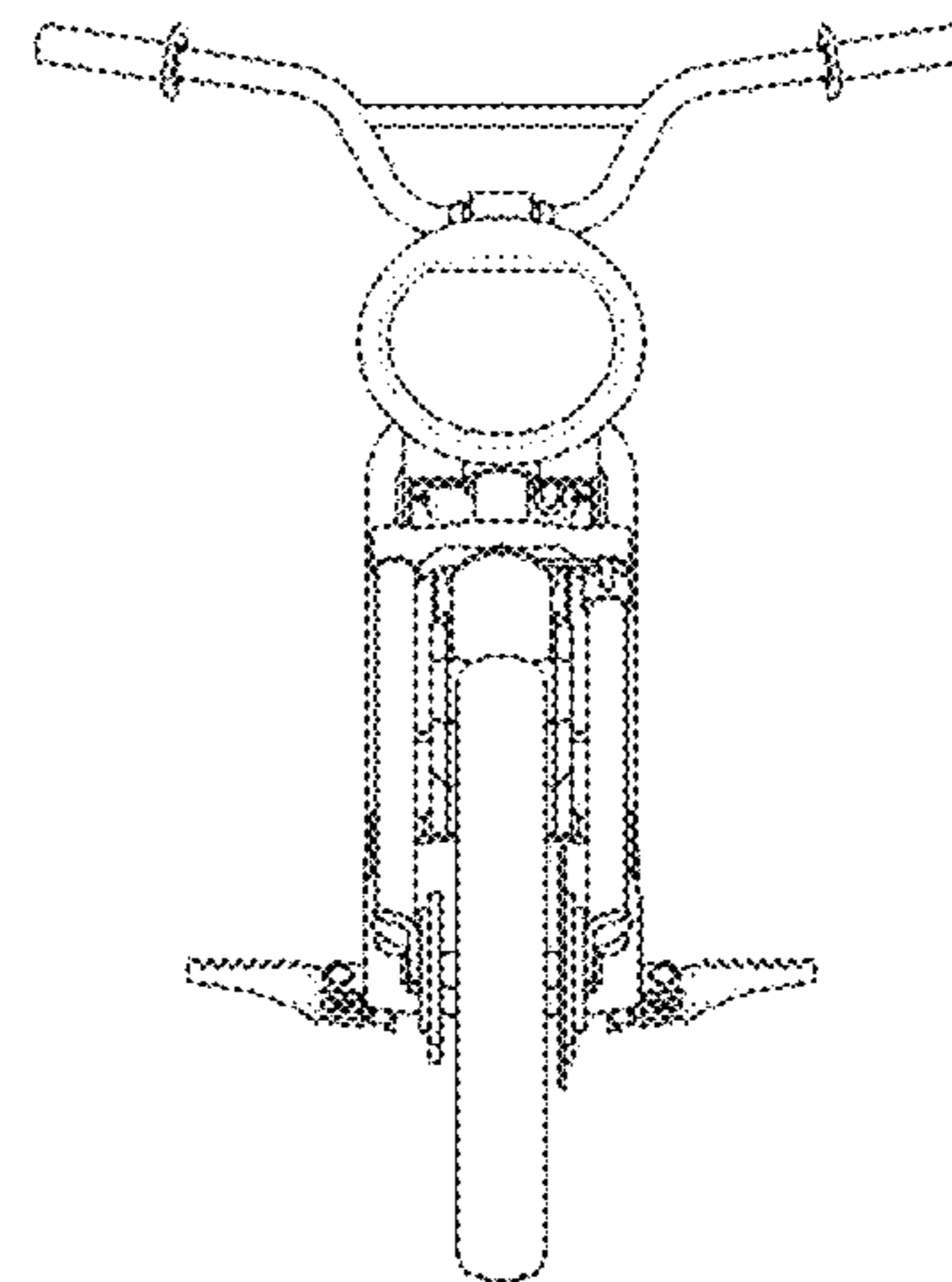
1.7 : Perspective

The gray lines shown in all the drawings represent shading of surface shapes of the article and are not patterns of the article.

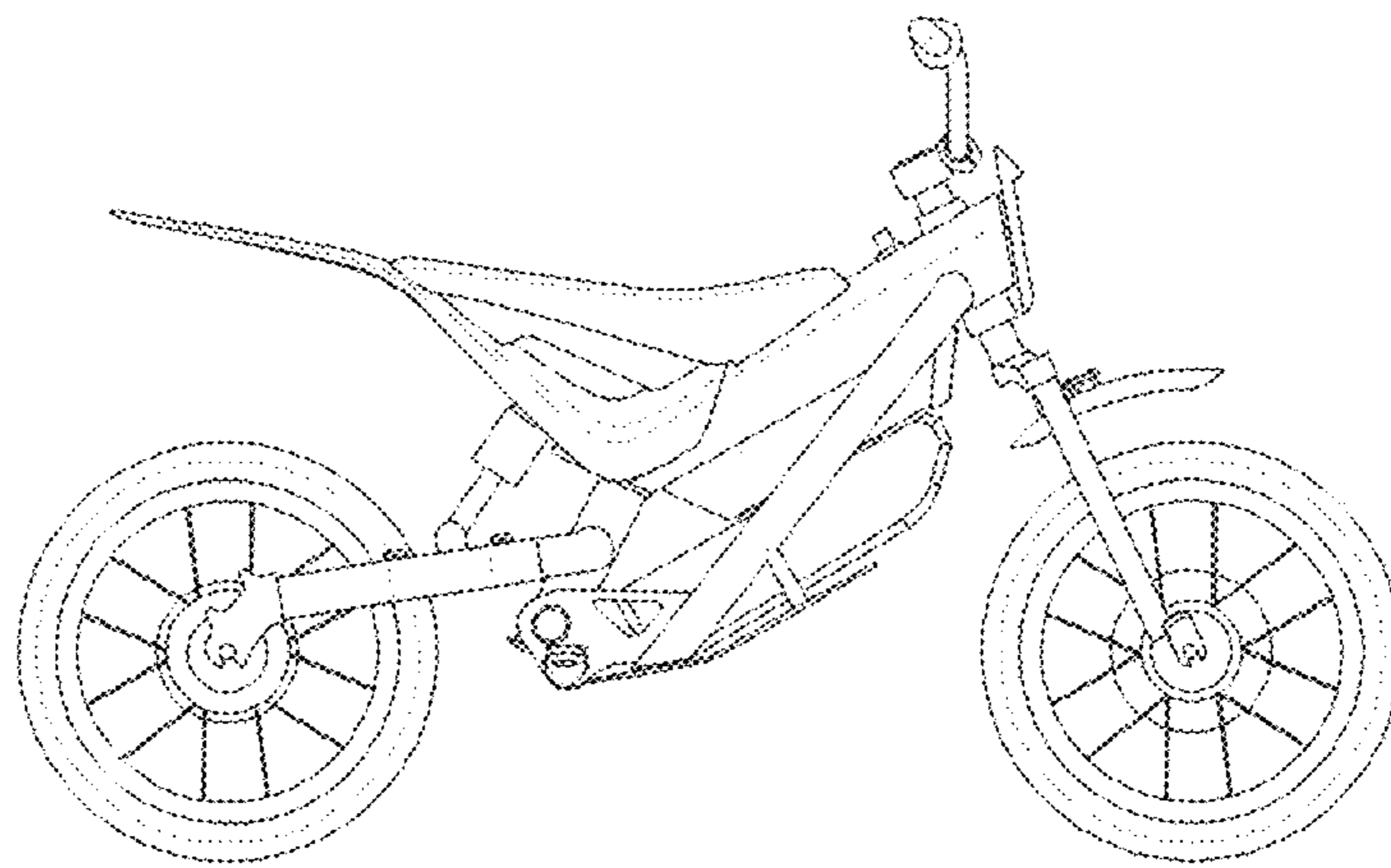
1 Claim, 7 Drawing Sheets



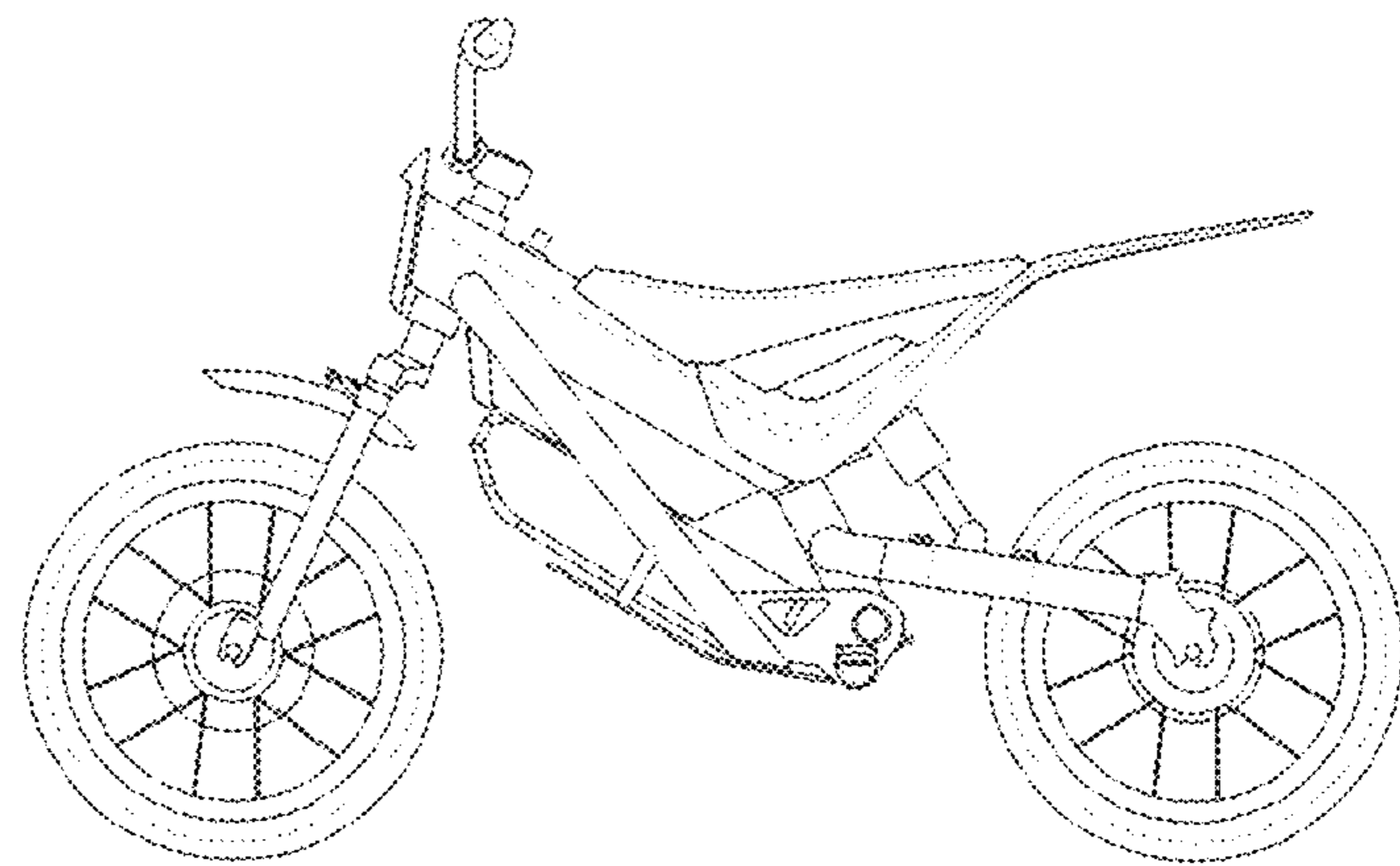
1.1



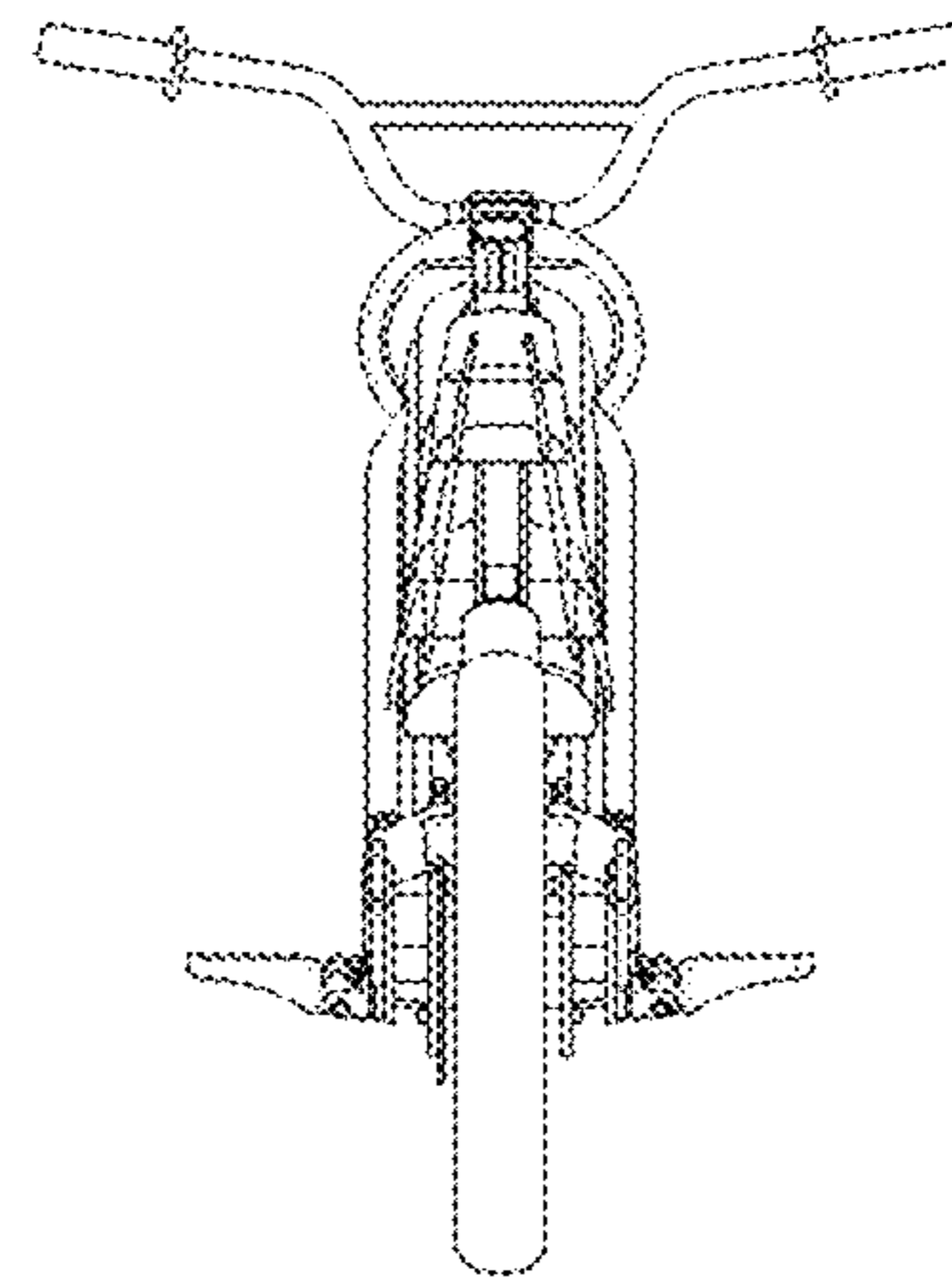
1.2



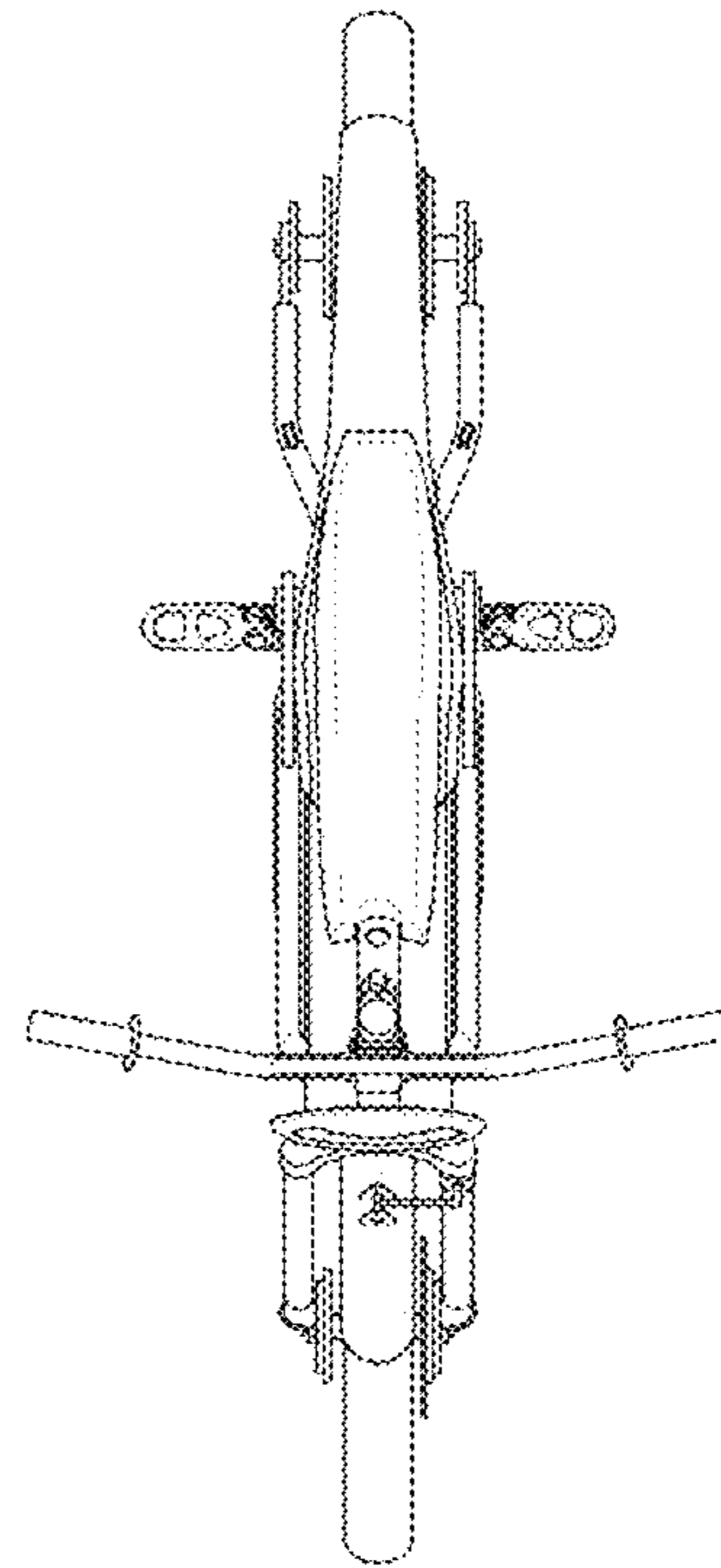
1.3



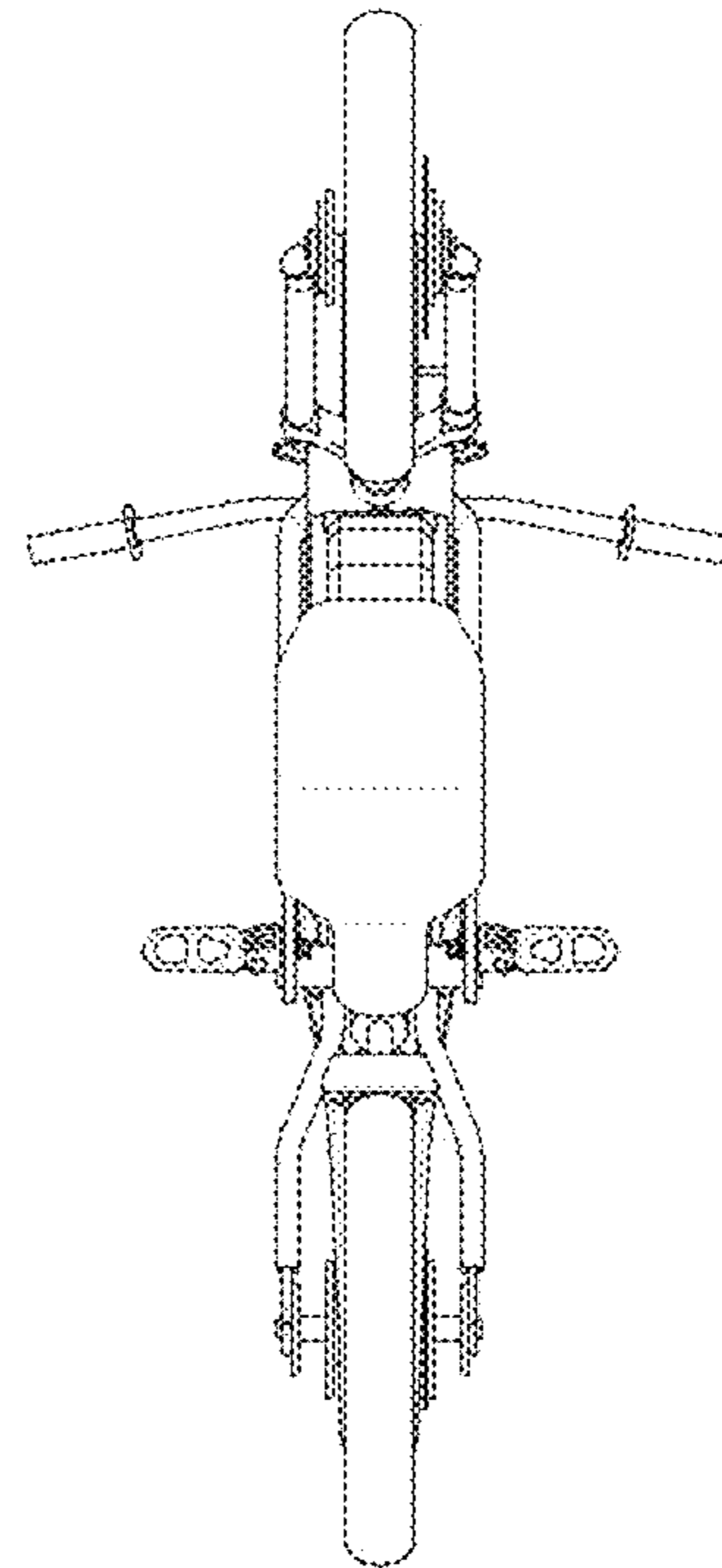
1.4



1.5



1.6



1.7

