



US00D956618S

(12) **United States Design Patent**
Karakaş

(10) **Patent No.:** **US D956,618 S**
(45) **Date of Patent:** **** Jul. 5, 2022**

- (54) **AUTOMOBILE BODY**
- (71) Applicant: **TÜRKİYE’NİN OTOMOBİLİ GİRİŞİM GRUBU SANAYİ VE TİCARET A.Ş., Kocaeli (TR)**
- (72) Inventor: **Mehmet Gürcan Karakaş, Kocaeli (TR)**
- (73) Assignee: **TURKIYE’NİN OTOMOBİLİ GIRISIM GRUBU SANAYI VE TICARET A.S, Kocaeli (TR)**

D765,545 S *	9/2016	Oh	D12/91
D776,007 S *	1/2017	An	D12/91
D780,066 S *	2/2017	Sterner	D12/91
D788,643 S *	6/2017	Bucher	D12/91
D788,645 S *	6/2017	Mueller	D12/91
D800,605 S *	10/2017	Lan	D12/91
D815,988 S *	4/2018	Guo	D12/92
D820,730 S *	6/2018	Wang	D12/91
D867,213 S *	11/2019	Lan	D12/91
D872,650 S *	1/2020	Tomasson	D12/91
D888,615 S *	6/2020	Badstuebner	D12/91
D898,619 S *	10/2020	Hirzel	D12/91
D906,440 S *	12/2020	Sterner	D12/91

* cited by examiner

(**) Term: **15 Years**

Primary Examiner — Melody N Brown

(21) Appl. No.: **29/727,690**

(74) *Attorney, Agent, or Firm* — Muncy, Geissler, Olds & Lowe, P.C.

(22) Filed: **Mar. 12, 2020**

(30) **Foreign Application Priority Data**

Sep. 12, 2019 (TR) 2019/05481

(51) **LOC (13) Cl.** **12-08**

(52) **U.S. Cl.**
USPC **D12/91**

(58) **Field of Classification Search**
USPC D12/86, 90–92, 88; D21/424, 433, 434,
D21/533; 296/181.1–181.5, 183.1
CPC B62D 25/00; B62D 25/06; B62D 33/00;
B62D 35/00
See application file for complete search history.

(56) **References Cited**

U.S. PATENT DOCUMENTS

D741,224 S * 10/2015 Rugar D12/91
D741,752 S * 10/2015 Messale D12/91

(57) **CLAIM**

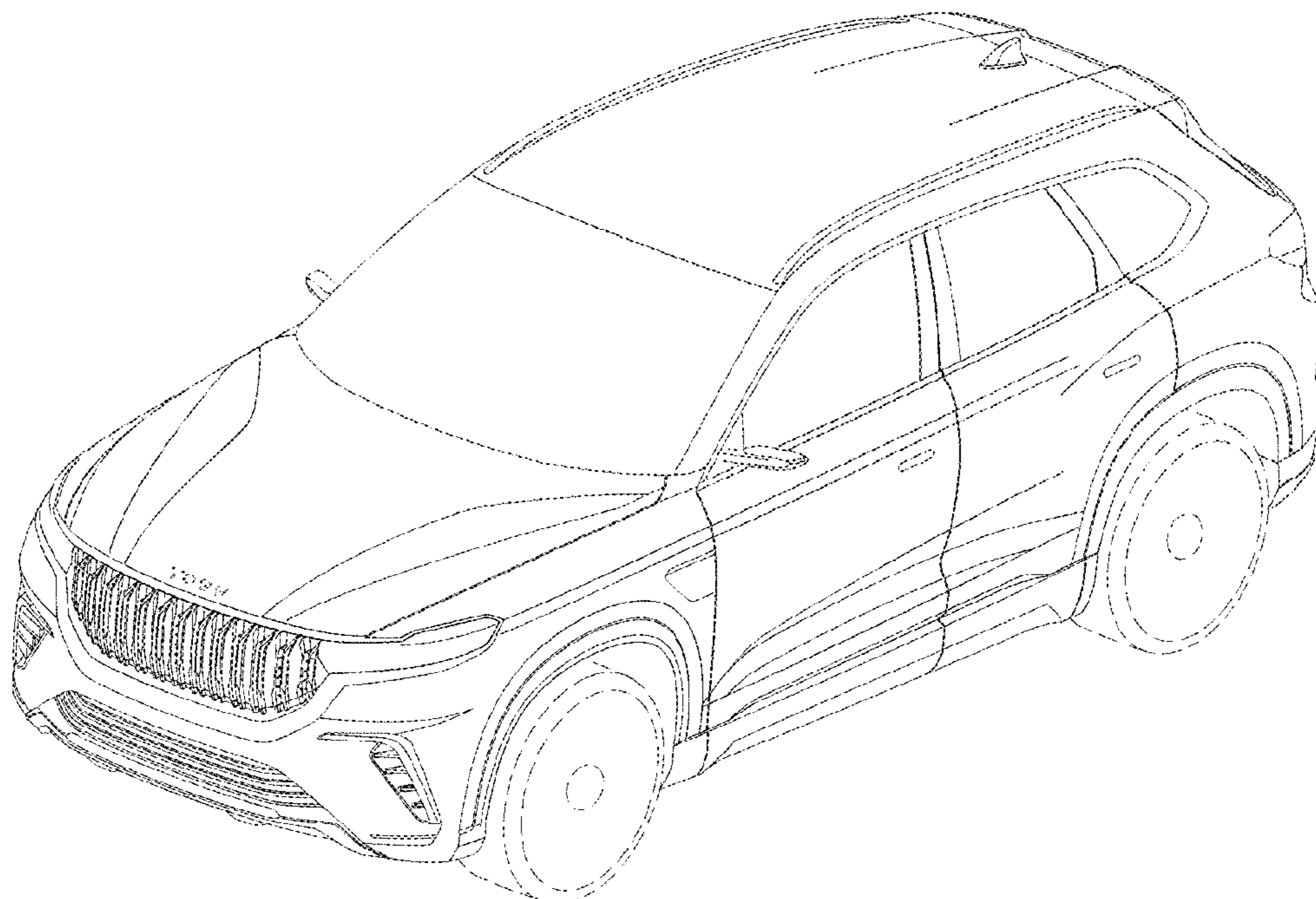
The ornamental design for an automobile body, as shown and described.

DESCRIPTION

FIG. 1 is a top, front and left side perspective view of an automobile body showing my new design;
FIG. 2 is a top, rear and left side perspective view thereof;
FIG. 3 is a right side view thereof;
FIG. 4 is a left side view thereof;
FIG. 5 is a front elevational view thereof;
FIG. 6 is a rear elevational view thereof; and,
FIG. 7 is a top plan view thereof.

The broken lines illustrate portions of the environment structure which form no part of the claimed design. Furthermore, the trademark material illustrated in broken lines forms no part of the claimed design.

1 Claim, 7 Drawing Sheets



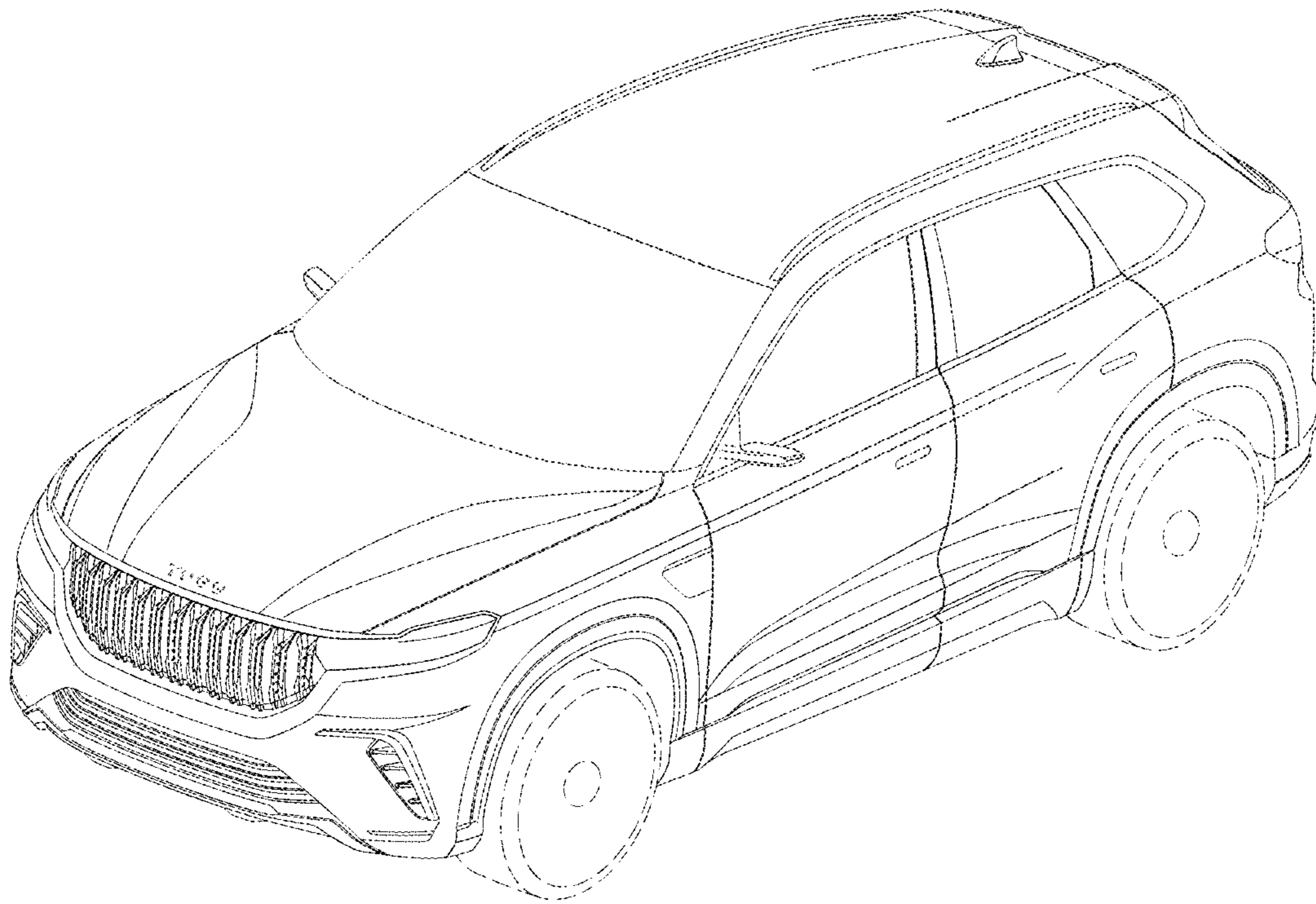


FIG.1

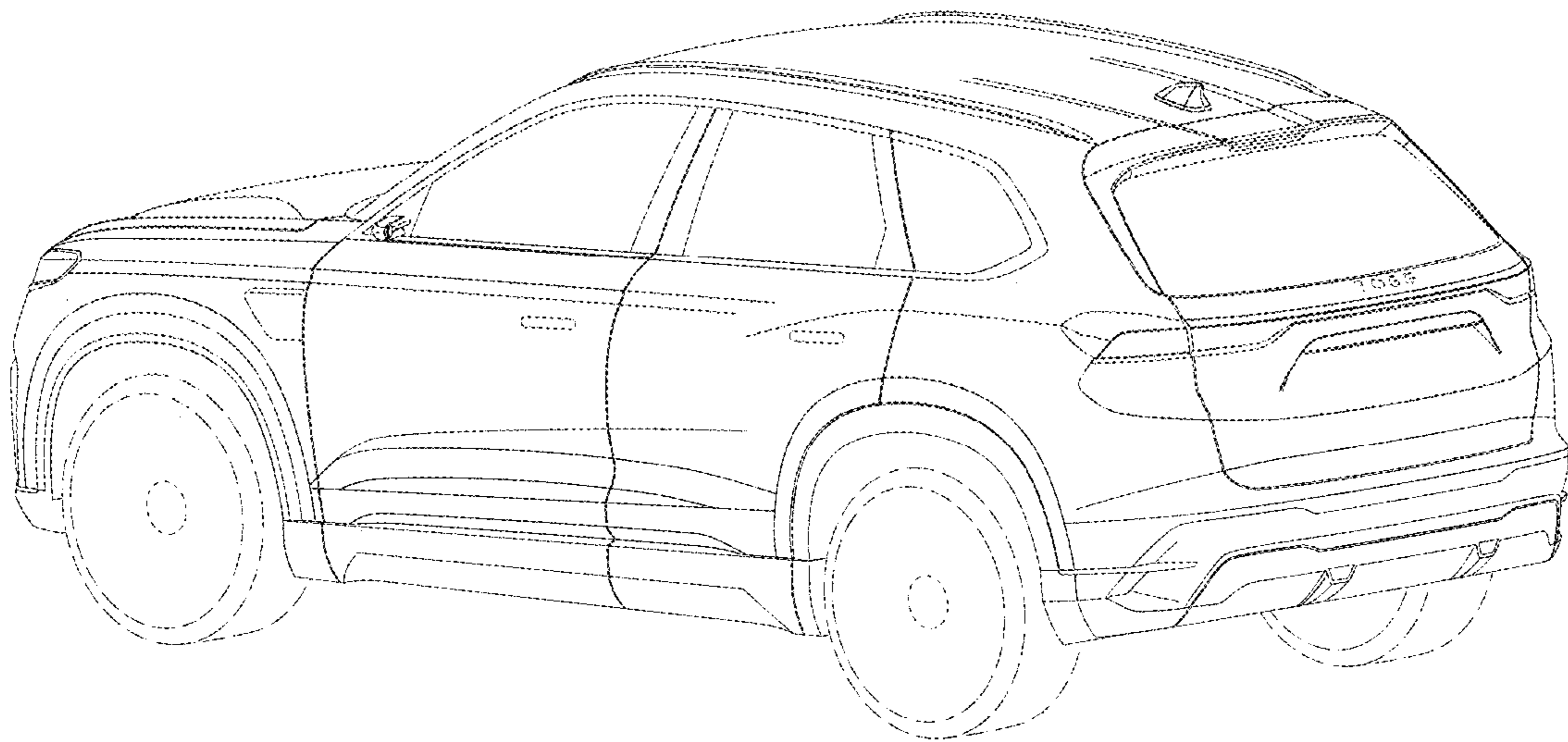


FIG. 2

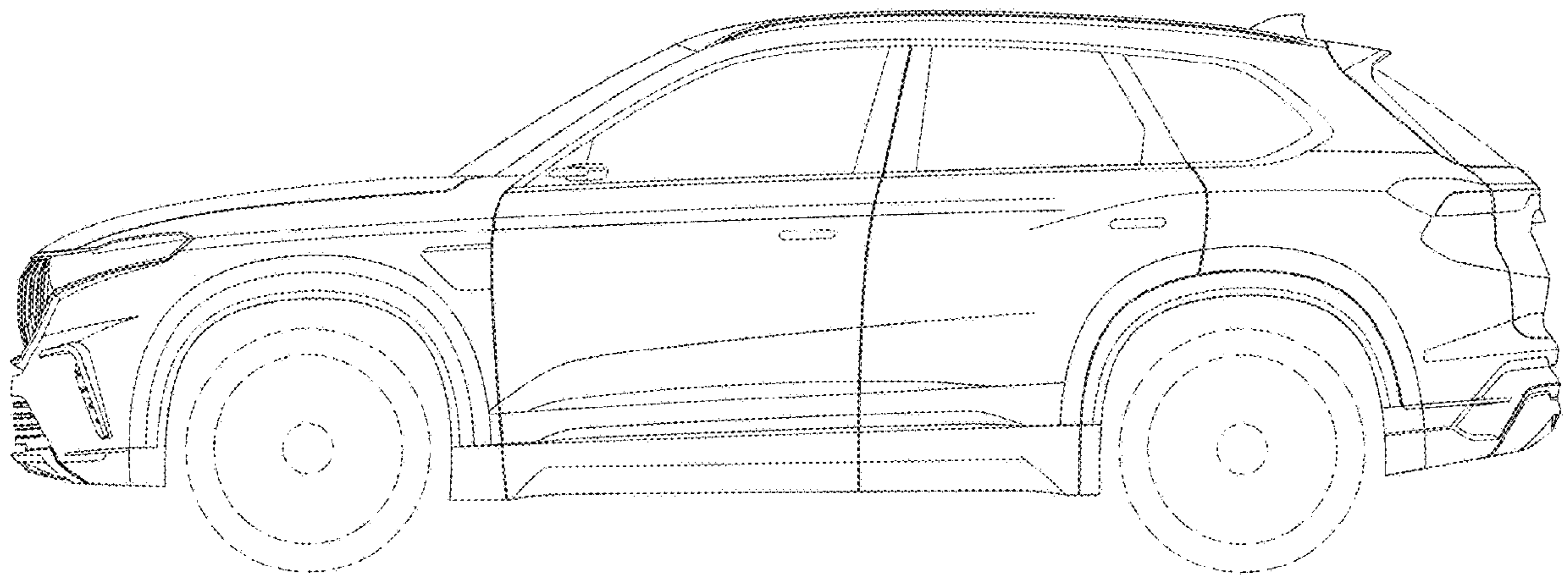


FIG.3

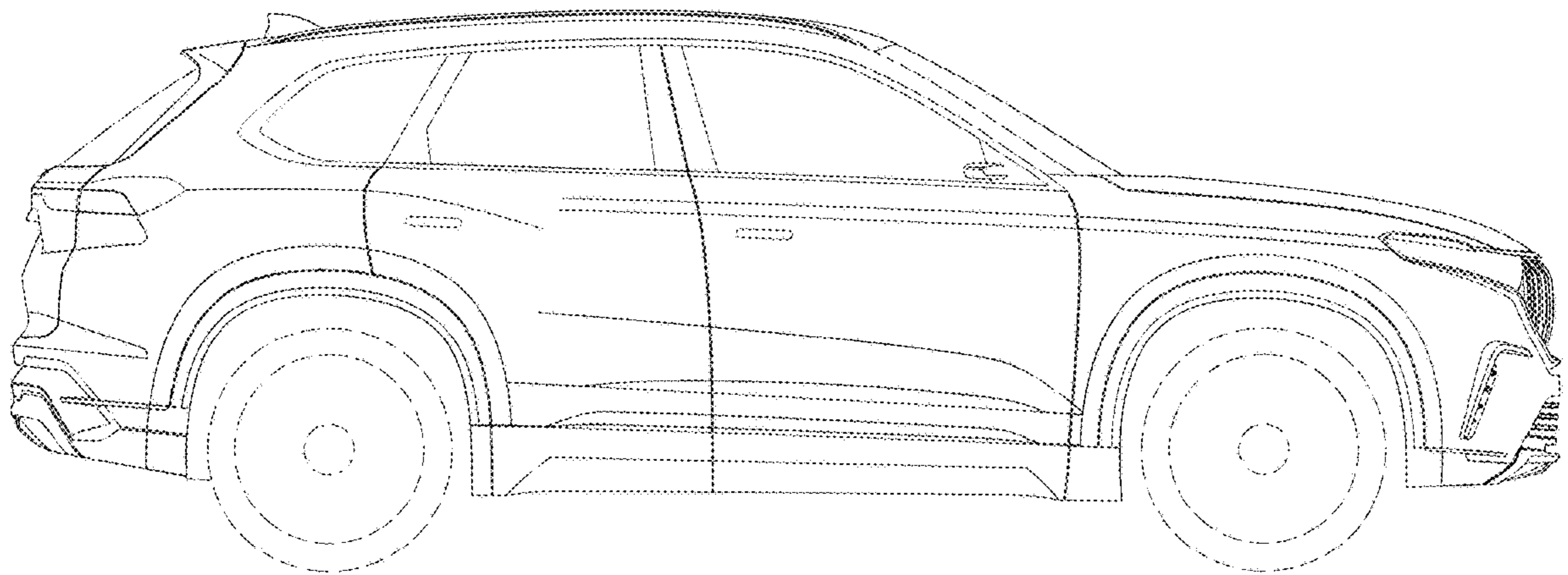


FIG.4

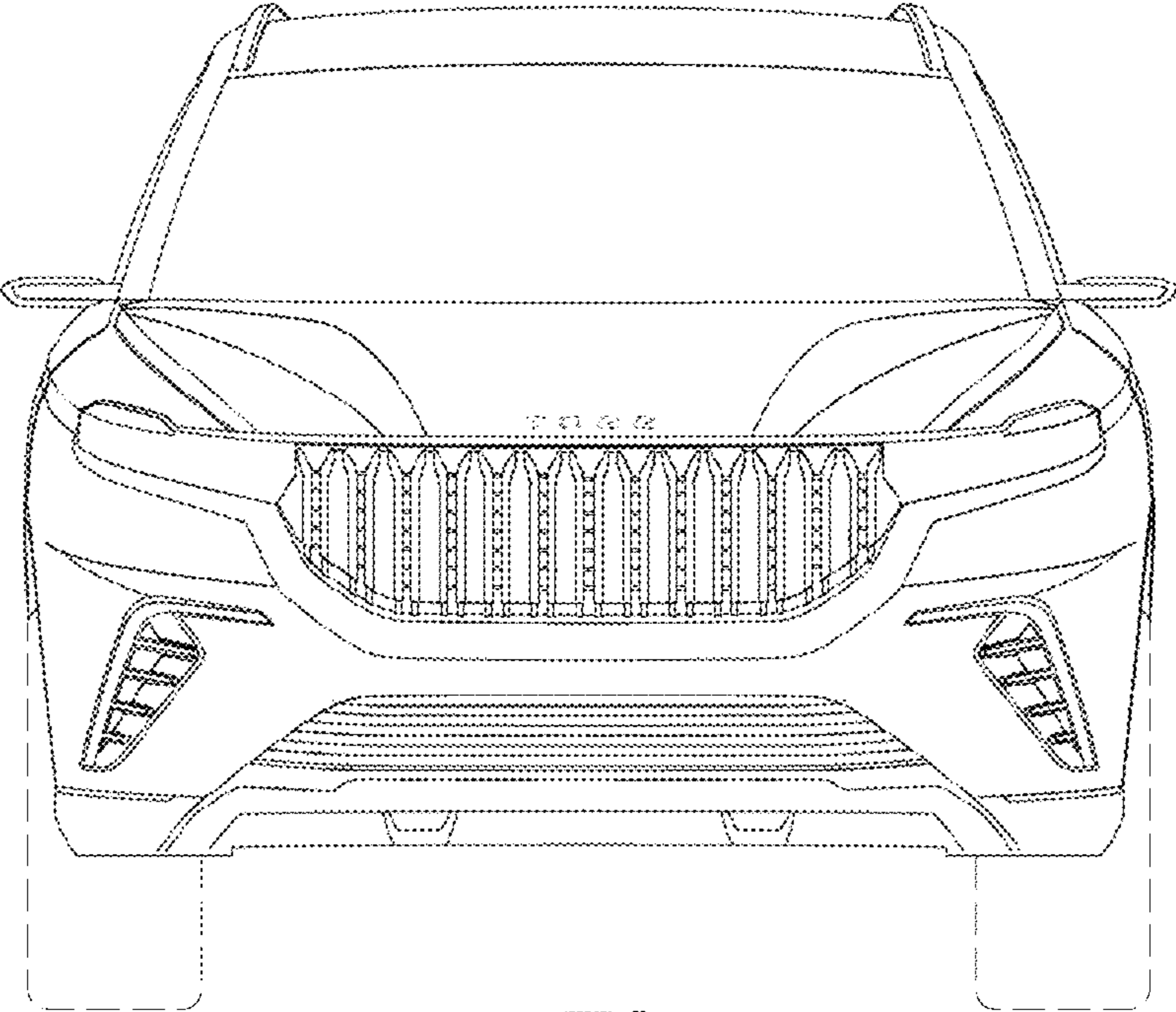


FIG.5

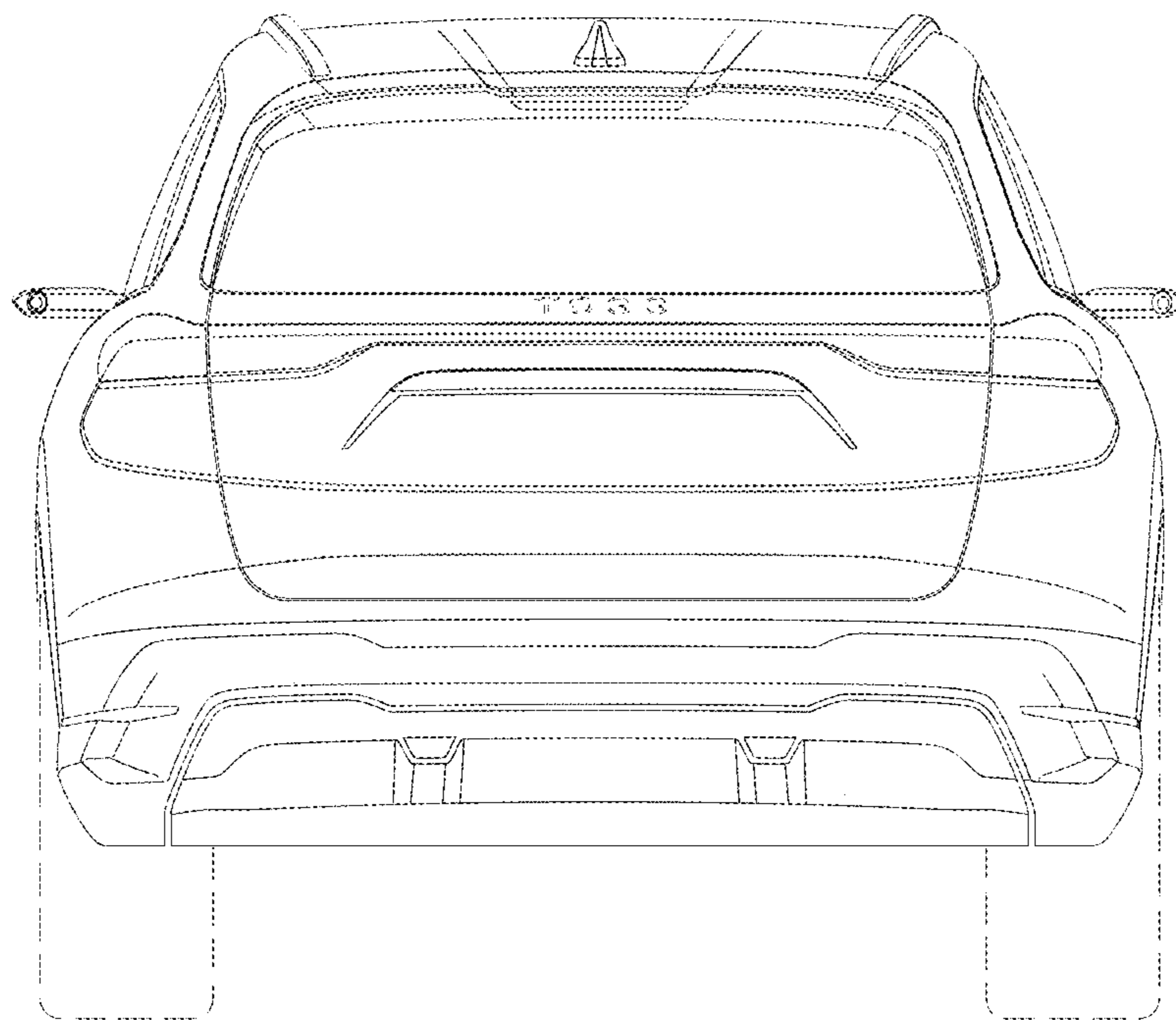


FIG.6

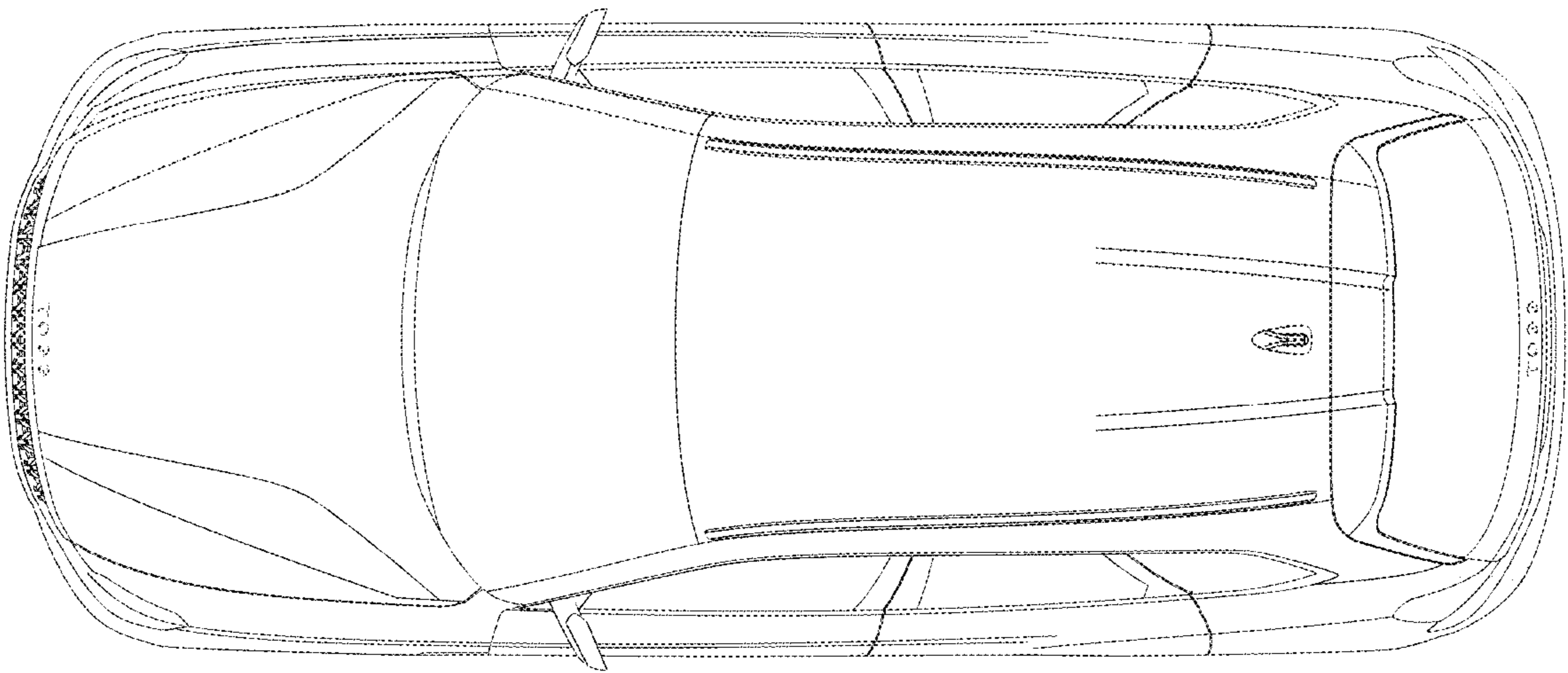


FIG.7