



US00D956617S

(12) **United States Design Patent** (10) **Patent No.:** **US D956,617 S**
Sterner (45) **Date of Patent:** **** *Jul. 5, 2022**

(54) **VEHICLE**
(71) Applicant: **Polestar Performance AB**, Gothenburg (SE)

D881,757 S * 4/2020 Tonello D12/92
D883,147 S * 5/2020 Kezha D12/92
D891,532 S * 7/2020 Zhong D21/548
(Continued)

(72) Inventor: **Örjan Sterner**, Västra Frölunda (SE)
(73) Assignee: **Polestar Performance AB**, Gothenburg (SE)

FOREIGN PATENT DOCUMENTS

EM 005818242-0001 * 11/2018
EM 005818259-0001 * 11/2018

(*) Notice: This patent is subject to a terminal disclaimer.
(**) Term: **15 Years**

OTHER PUBLICATIONS

Application and File history for U.S. Appl. No. 29/725,612, filed Feb. 26, 2020. Inventors: Sterner.

(21) Appl. No.: **29/725,622**
(22) Filed: **Feb. 26, 2020**
(51) **LOC (13) Cl.** **12-08**
(52) **U.S. Cl.**
USPC **D12/91**
(58) **Field of Classification Search**
USPC D12/82, 86, 90-92; D21/424, 433, 434, D21/533, 548-550
CPC B62D 25/00; B62D 25/06; B62D 33/00; B62D 35/00; B62D 47/00; B62D 31/00; B62D 31/003
See application file for complete search history.

(Continued)

Primary Examiner — Joseph Kukella
(74) *Attorney, Agent, or Firm* — Patterson Thuent Pedersen, P.A.

(57) **CLAIM**

I claim the ornamental design for vehicle, as shown and described.

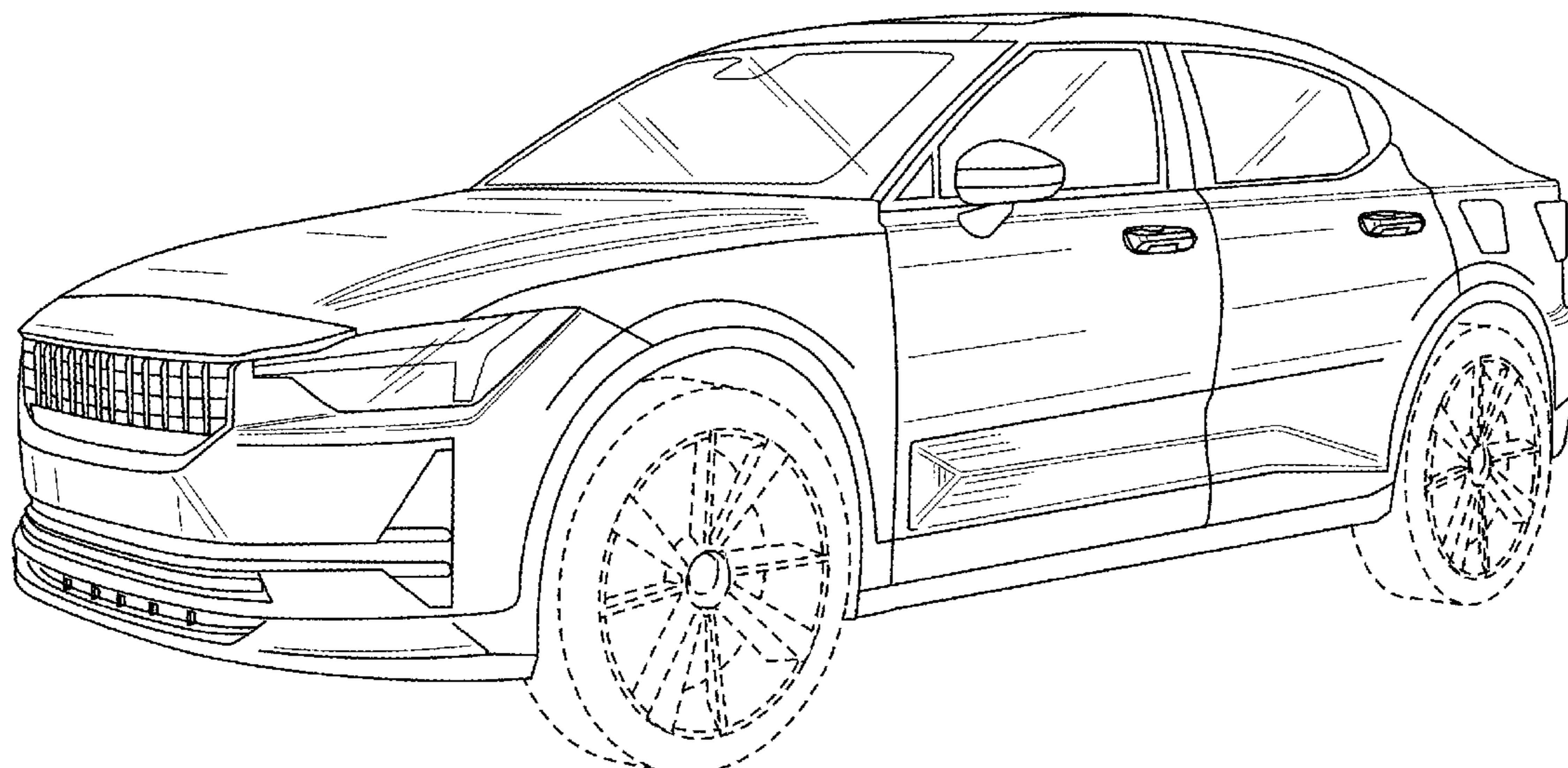
DESCRIPTION

FIG. 1 is a front perspective view of a vehicle.
FIG. 2 is a left side elevational view of the vehicle depicted in FIG. 1.
FIG. 3 is a right side elevational view of the vehicle depicted in FIG. 1.
FIG. 4 is a front elevational view of the vehicle depicted in FIG. 1.
FIG. 5 is a rear elevational view of the vehicle depicted in FIG. 1.
FIG. 6 is a top plan view of the vehicle depicted in FIG. 1; and,
FIG. 7 is a rear perspective view of the vehicle depicted in FIG. 1.
The broken lines in the drawings illustrate portions of the vehicle that form no part of the claimed design.

(56) **References Cited**
U.S. PATENT DOCUMENTS

D684,900 S * 6/2013 Doyle D12/92
D706,174 S * 6/2014 Garand D12/92
D737,175 S * 8/2015 Telaak D12/92
D767,451 S * 9/2016 Kozub D12/92
D803,100 S * 11/2017 Forschner D12/92
D823,723 S * 7/2018 Brendel D12/92
D863,109 S * 10/2019 Thurber D12/92
D864,029 S * 10/2019 Yong D12/91
D866,398 S * 11/2019 Lian D12/92
D867,212 S * 11/2019 Badstuebner D12/91
D871,970 S * 1/2020 Kusunoki D12/92
D875,608 S * 2/2020 Bischoff D12/92

1 Claim, 6 Drawing Sheets



(56)

References Cited

U.S. PATENT DOCUMENTS

D897,240 S * 9/2020 Al Attar D12/91
D906,440 S 12/2020 Sterner

OTHER PUBLICATIONS

Application and File history for U.S. Appl. No. 29/725,625, filed Feb. 26, 2020. Inventor: Sterner.
Application and File history for U.S. Appl. No. 29/725,635, filed Feb. 26, 2020. Inventor: Sterner.
Application and File history for U.S. Appl. No. 35/508,552, filed May 2, 2019. Inventor: Sterner.

* cited by examiner

FIG. 1

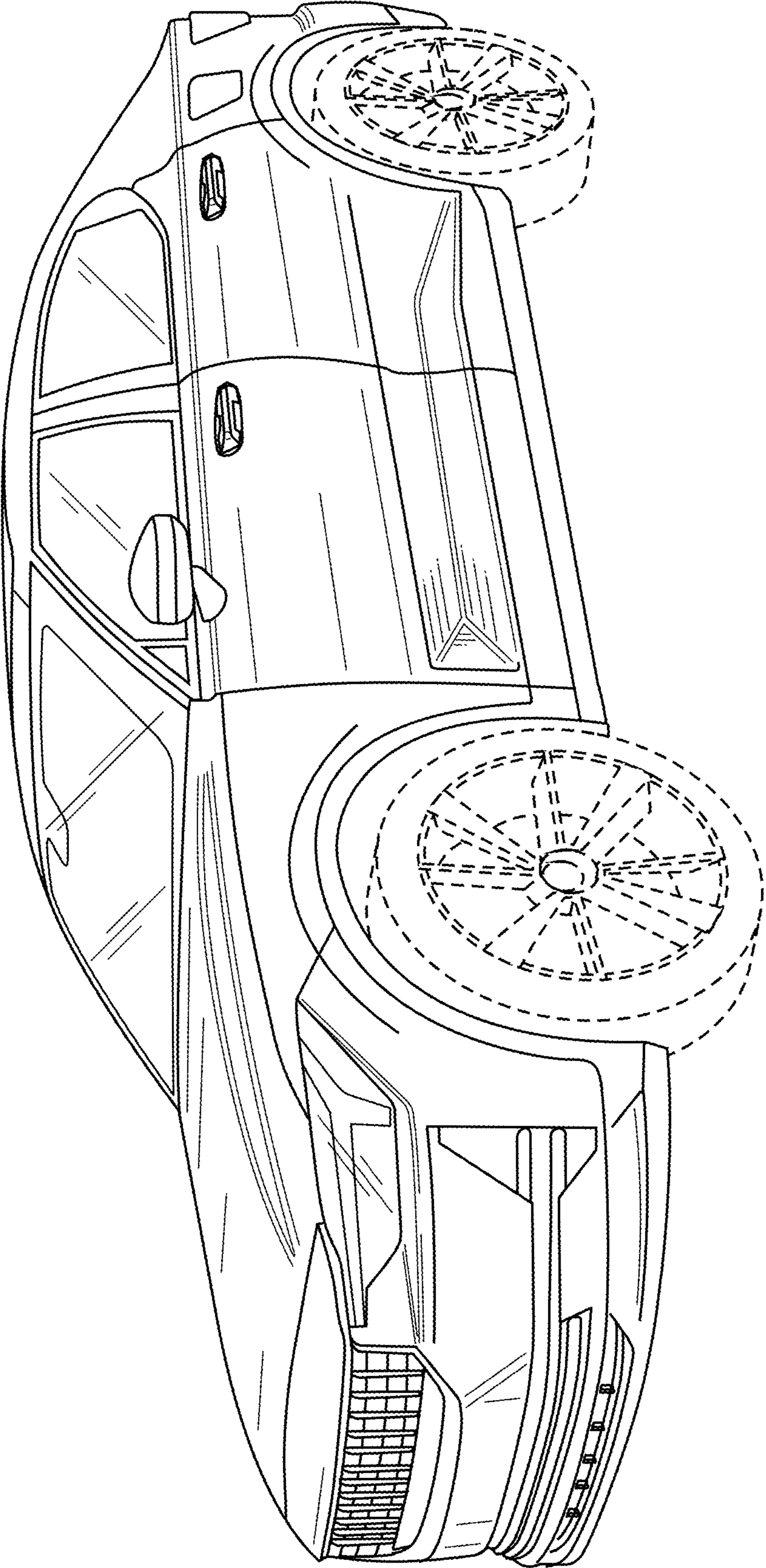


FIG. 2

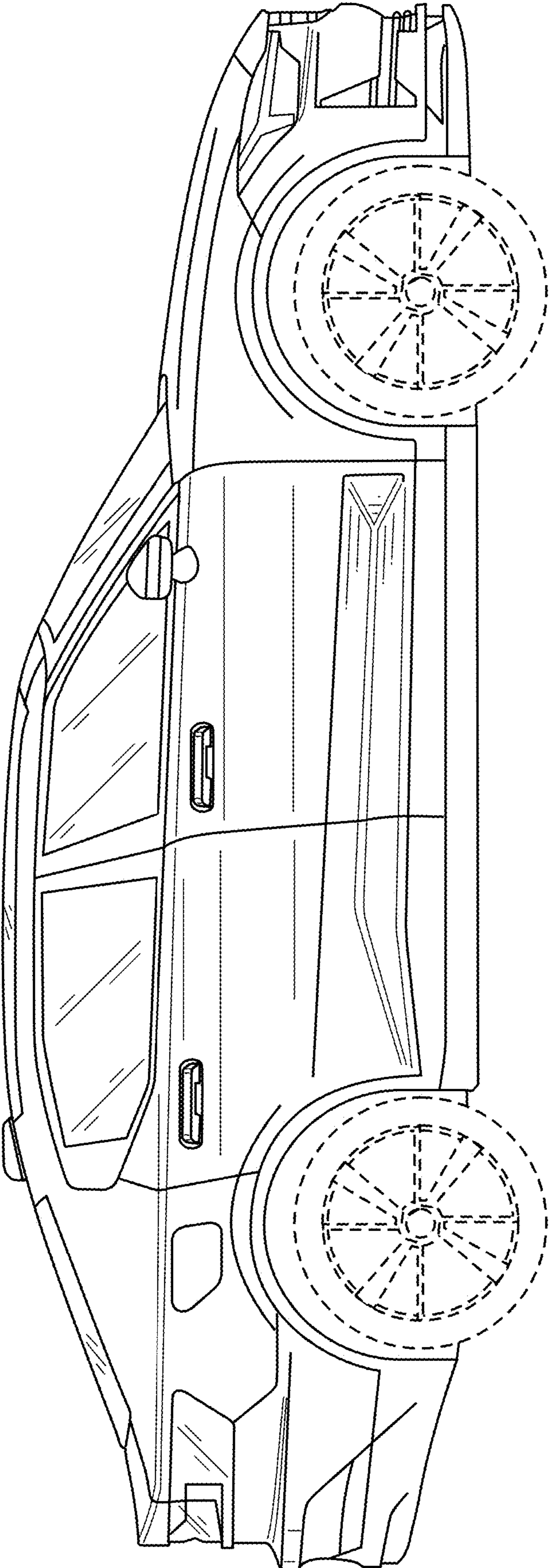


FIG. 3

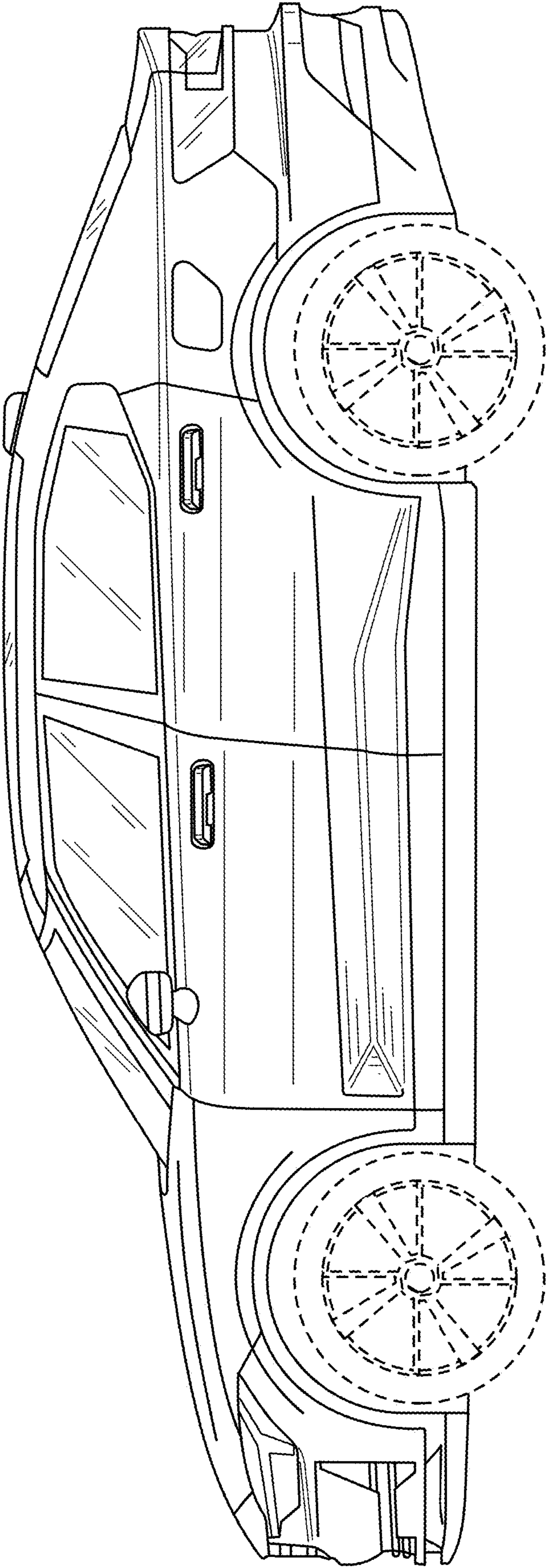


FIG. 5

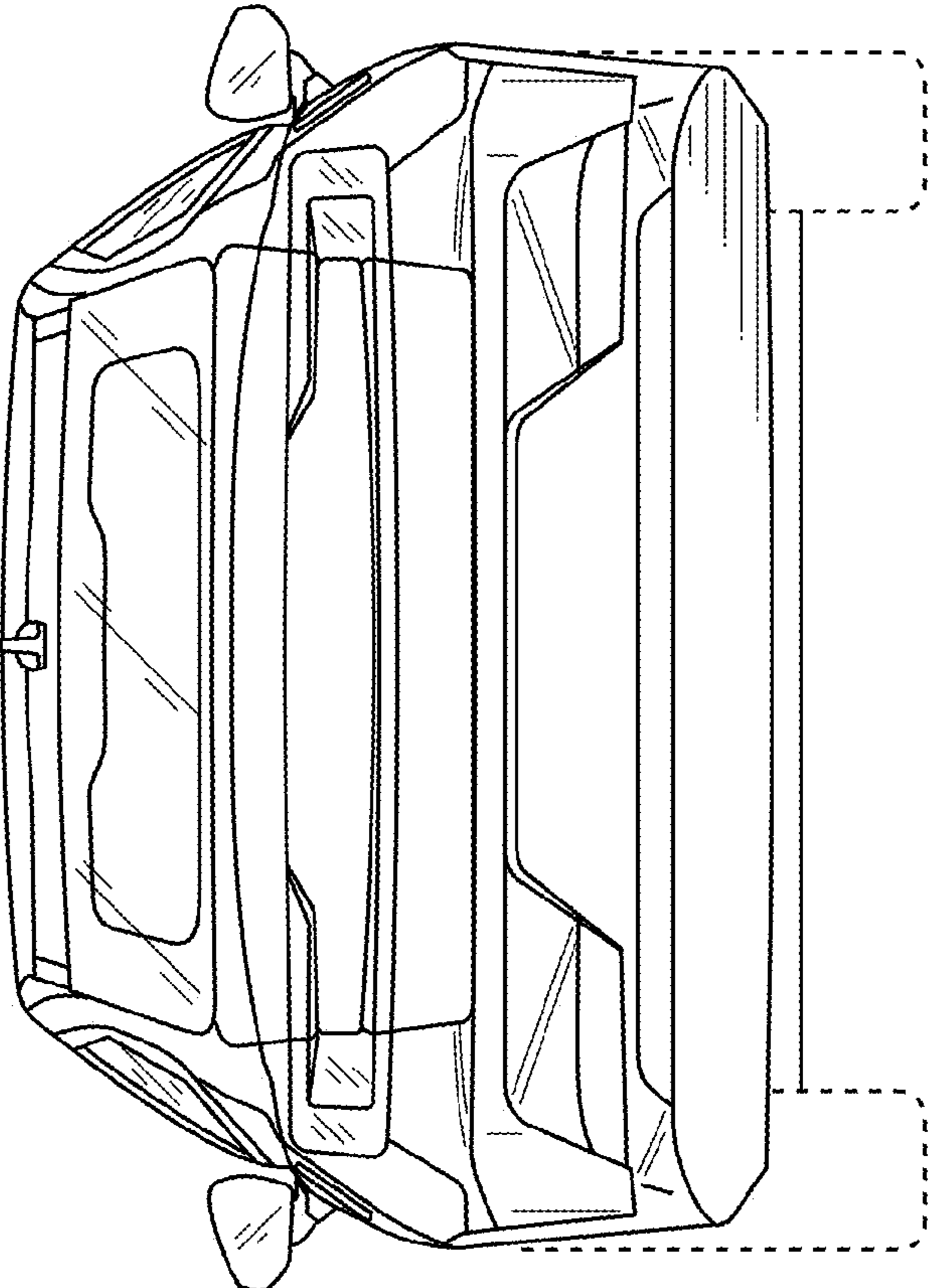


FIG. 4

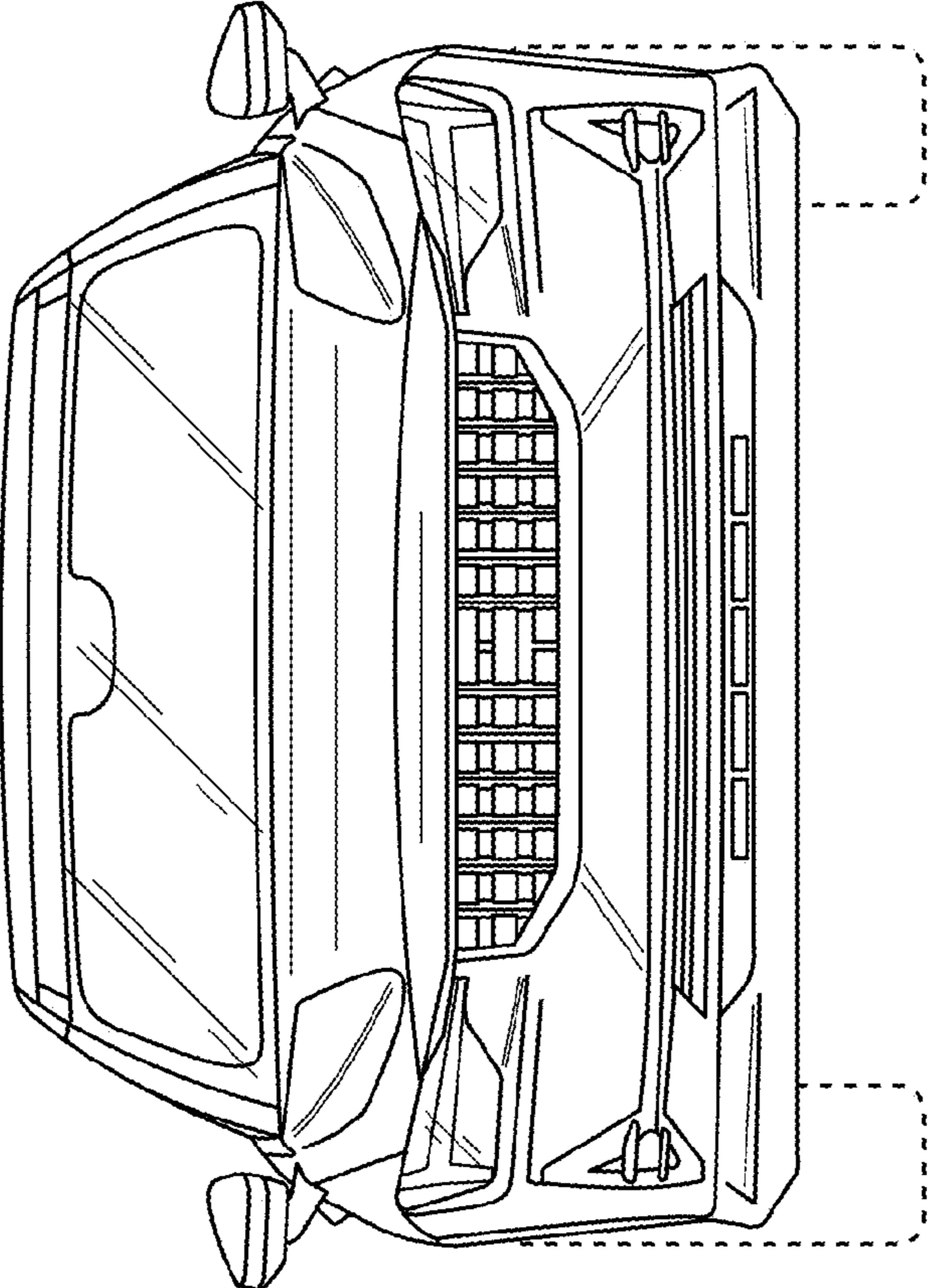


FIG. 6

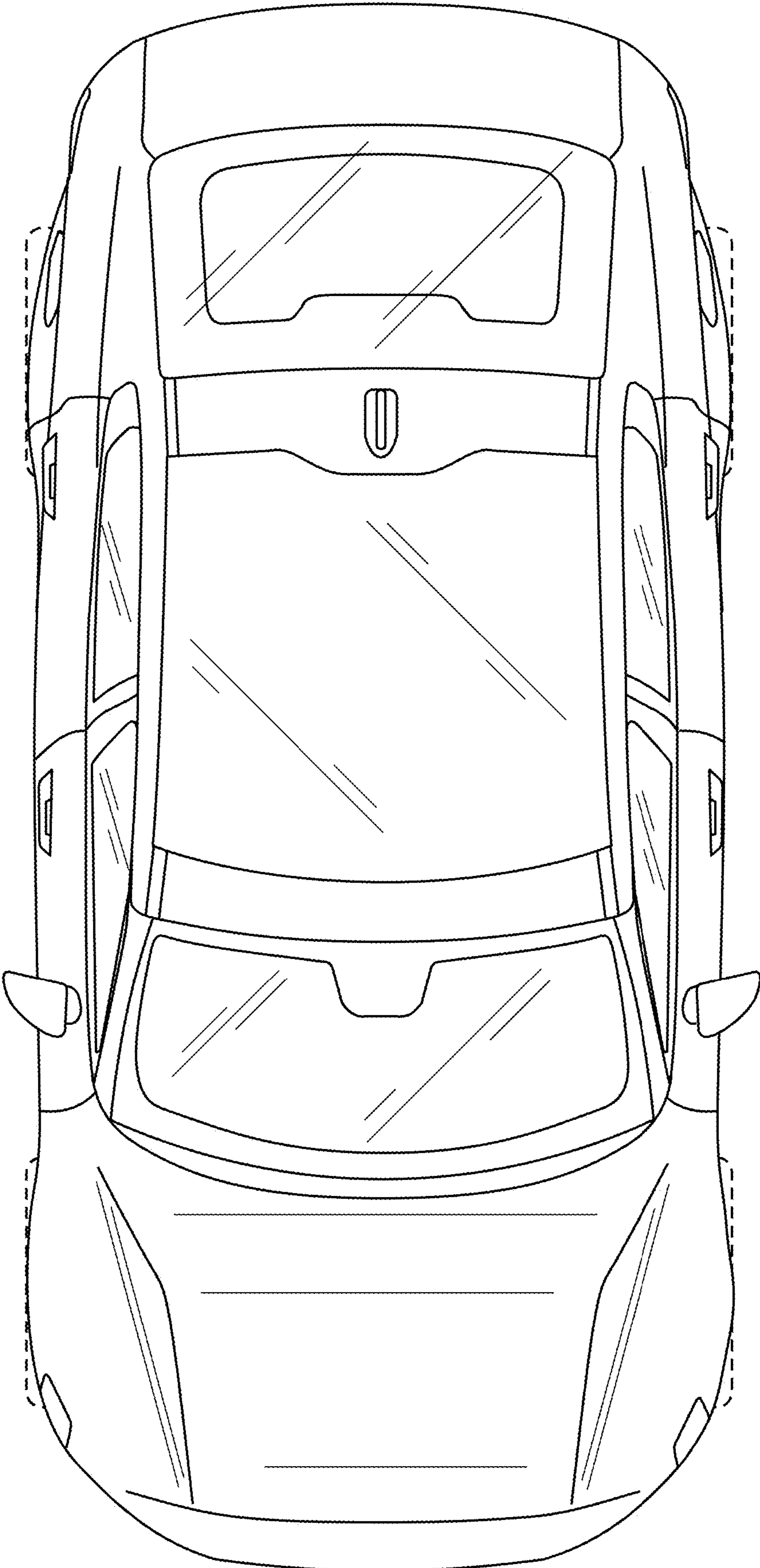


FIG. 7

