



US00D956616S

(12) **United States Design Patent** (10) **Patent No.:** **US D956,616 S**
Sterner (45) **Date of Patent:** **** Jul. 5, 2022**

(54) **VEHICLE**

(71) Applicant: **Polestar Performance AB**, Gothenburg (SE)

(72) Inventor: **Örjan Sterner**, Västra Frölunda (SE)

(73) Assignee: **Polestar Performance AB**, Gothenburg (SE)

(*) Notice: This patent is subject to a terminal disclaimer.

(**) Term: **15 Years**

(21) Appl. No.: **29/725,612**

(22) Filed: **Feb. 26, 2020**

(51) **LOC (13) Cl.** **12-08**

(52) **U.S. Cl.**
USPC **D12/91**

(58) **Field of Classification Search**
USPC D12/82, 86, 90-92; D21/424, 433, 434, D21/533, 548-550

CPC B62D 25/00; B62D 25/06; B62D 33/00; B62D 35/00; B62D 47/00; B62D 31/00; B62D 31/003

See application file for complete search history.

(56) **References Cited**

U.S. PATENT DOCUMENTS

D684,900 S *	6/2013	Doyle	D12/92
D706,174 S *	6/2014	Garand	D12/92
D737,175 S *	8/2015	Telaak	D12/92
D767,451 S *	9/2016	Kozub	D12/92
D803,100 S *	11/2017	Forschner	D12/92
D823,723 S *	7/2018	Brendel	D12/92
D863,109 S *	10/2019	Thurber	D12/92
D864,029 S *	10/2019	Yong	D12/91
D866,398 S *	11/2019	Lian	D12/92
D867,212 S *	11/2019	Badstuebner	D12/91

D871,970 S *	1/2020	Kusunoki	D12/92
D875,608 S *	2/2020	Bischoff	D12/92
D881,757 S *	4/2020	Tonello	D12/92
D883,147 S *	5/2020	Kezha	D12/92
D891,532 S *	7/2020	Zhong	D21/548
D897,240 S *	9/2020	Al Attar	D12/91
D906,440 S	12/2020	Sterner		

FOREIGN PATENT DOCUMENTS

EM	005818242-0001	*	11/2018
EM	005818259-0001	*	11/2018

OTHER PUBLICATIONS

Application and File history for U.S. Appl. No. 29/725,622, filed Feb. 26, 2020, Inventor: Sterner.

(Continued)

Primary Examiner — Joseph Kukella

(74) *Attorney, Agent, or Firm* — Patterson Thuent Pedersen, P.A.

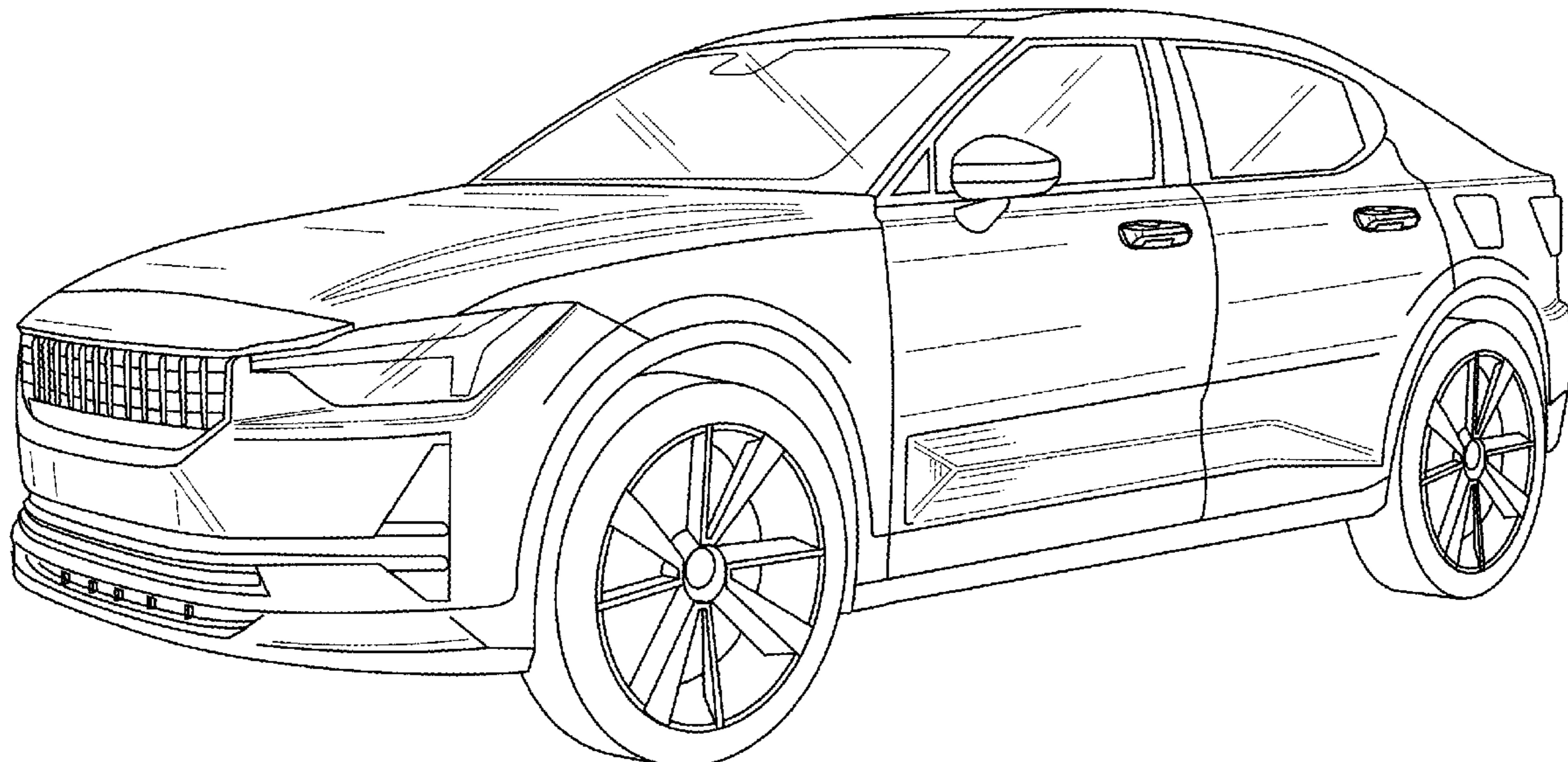
(57) **CLAIM**

I claim the ornamental design for a vehicle, as shown.

DESCRIPTION

FIG. 1 is a front perspective view of a vehicle.
 FIG. 2 is a left side elevational view of the vehicle depicted in FIG. 1.
 FIG. 3 is a right side elevational view of the vehicle depicted in FIG. 1.
 FIG. 4 is a front elevational view of the vehicle depicted in FIG. 1.
 FIG. 5 is a rear elevational view of the vehicle depicted in FIG. 1.
 FIG. 6 is a top plan view of the vehicle depicted in FIG. 1; and,
 FIG. 7 is a rear perspective view of the vehicle depicted in FIG. 1.

1 Claim, 6 Drawing Sheets



(56)

References Cited

OTHER PUBLICATIONS

Application and File history for U.S. Appl. No. 29/725,625, filed Feb. 26, 2020. Inventor: Sterner.

Application and File history for U.S. Appl. No. 29/725,635, filed Feb. 26, 2020. Inventor: Sterner.

Application and File history for U.S. Appl. No. 35/508,552, filed May 2, 2019. Inventor: Sterner.

* cited by examiner

FIG. 1

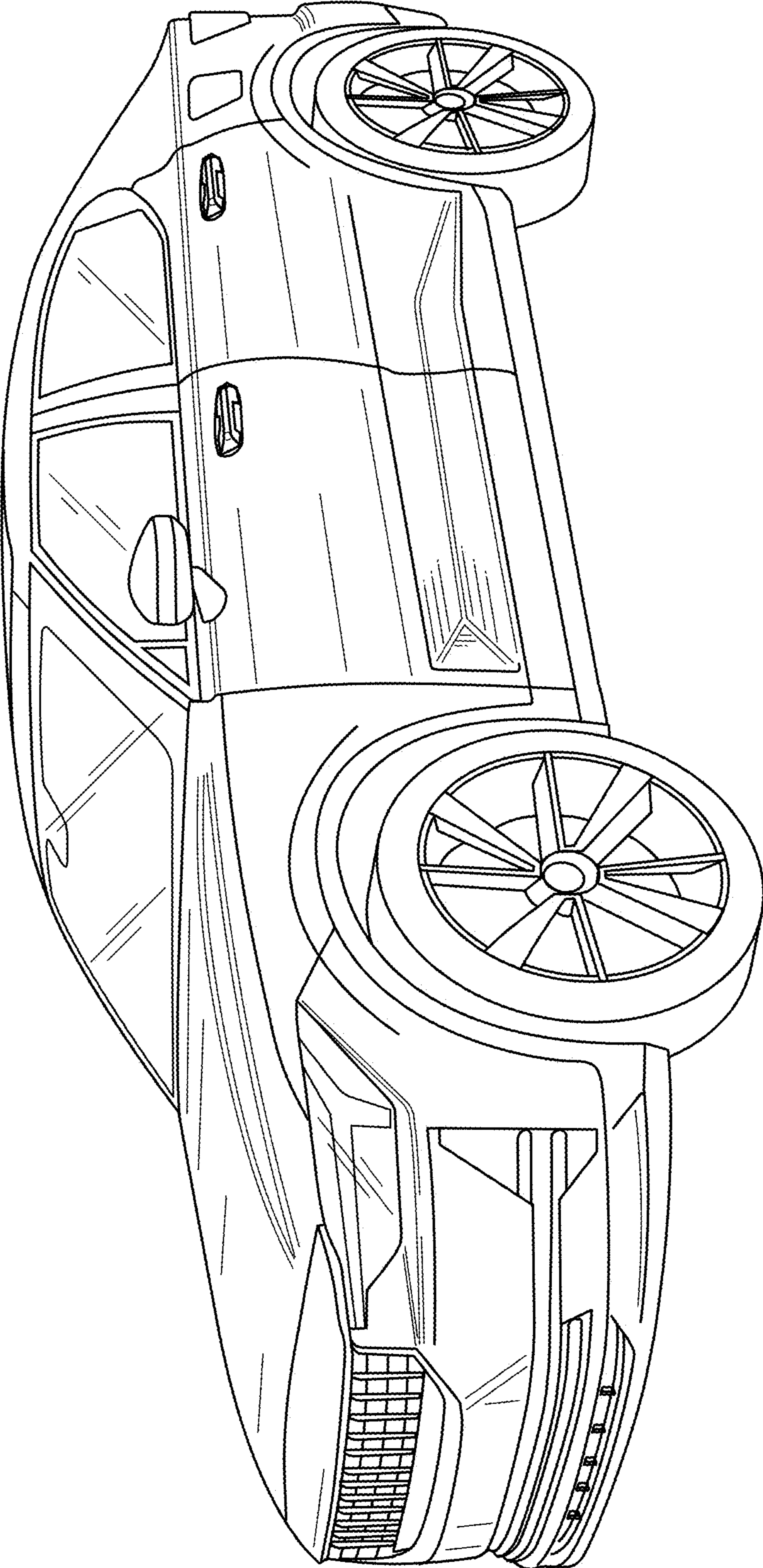


FIG. 2

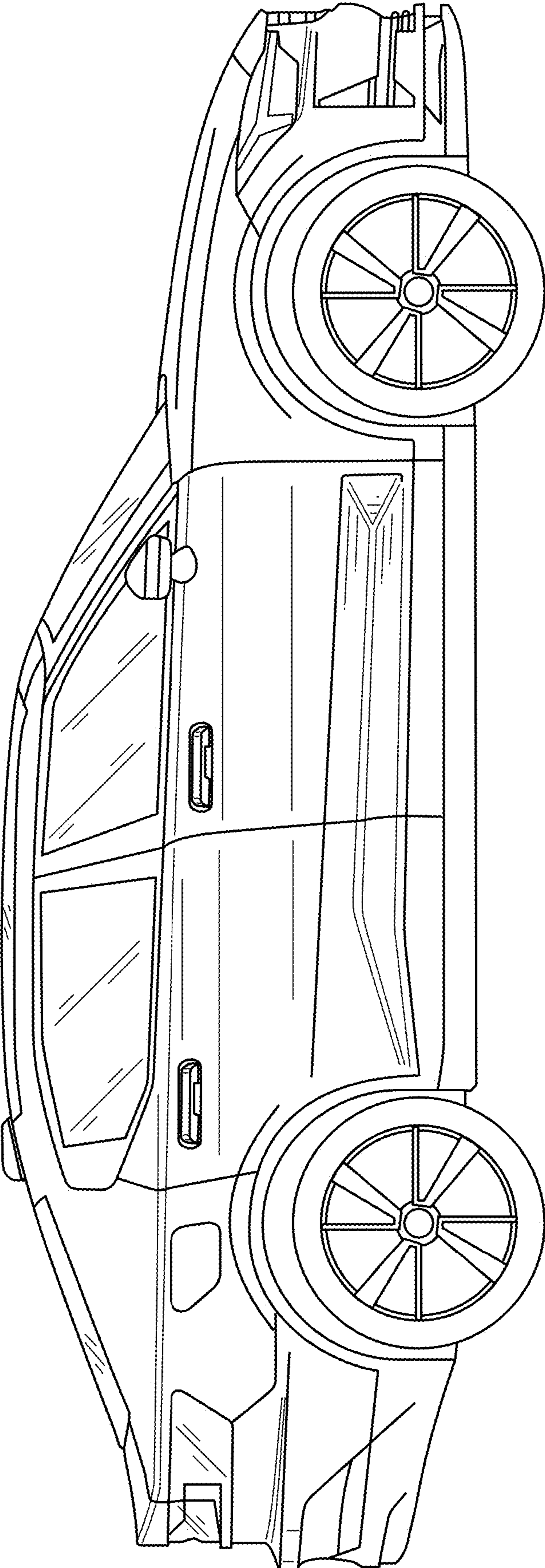


FIG. 3

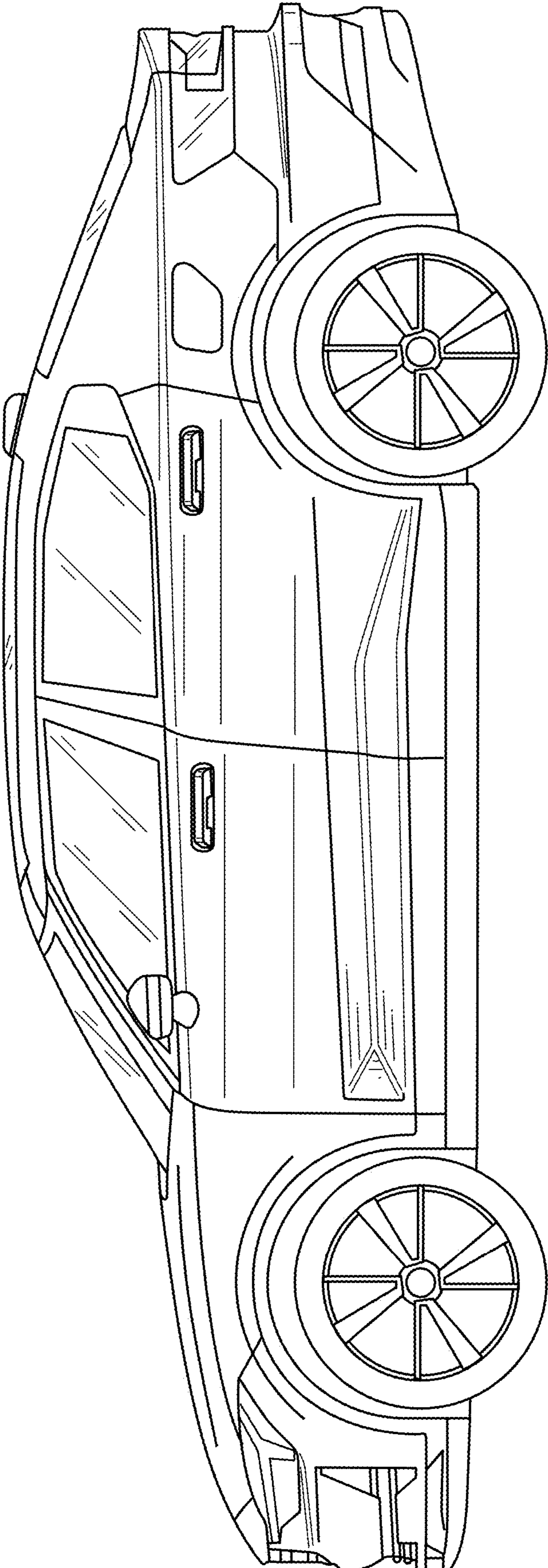


FIG. 5

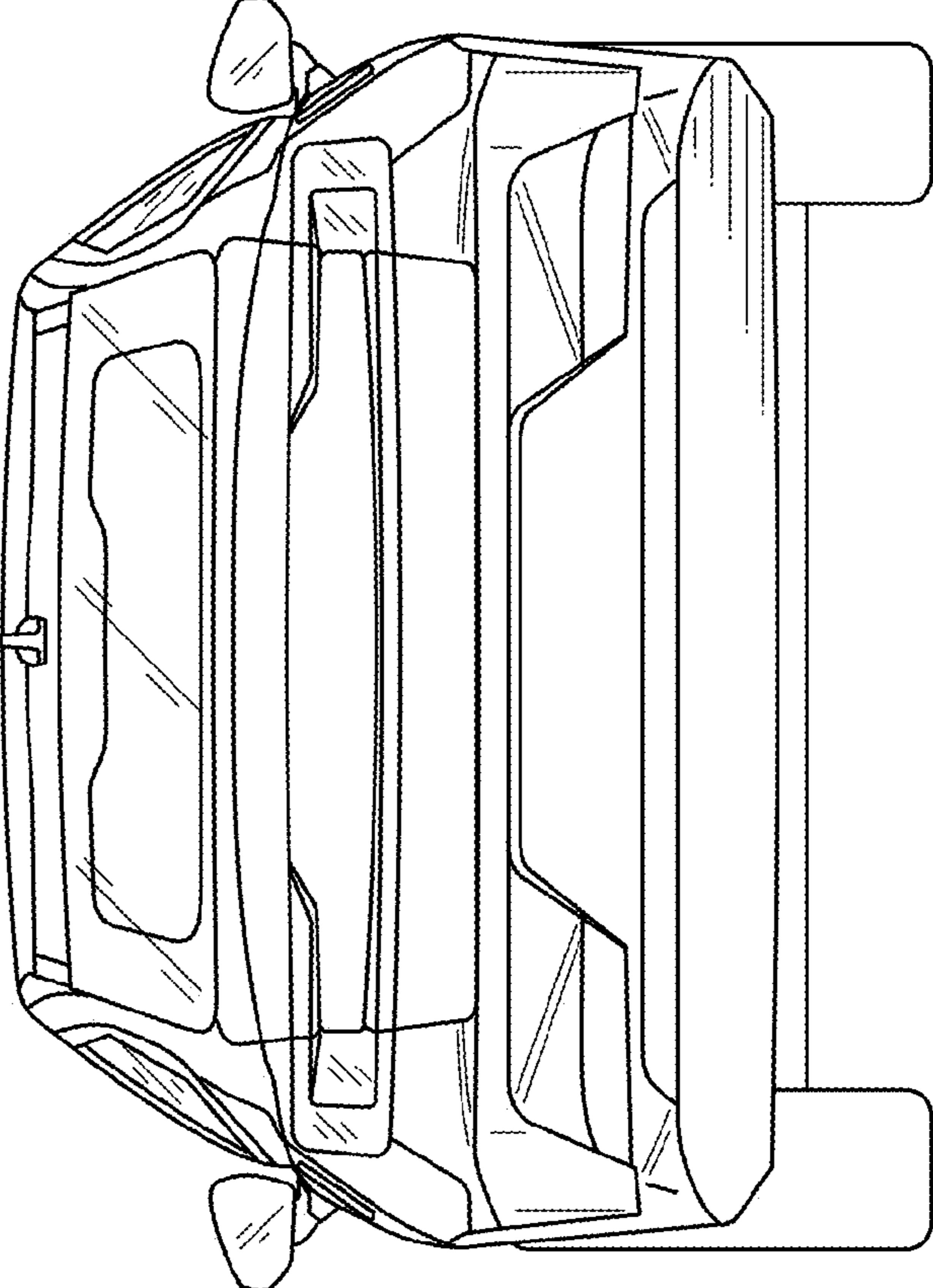


FIG. 4

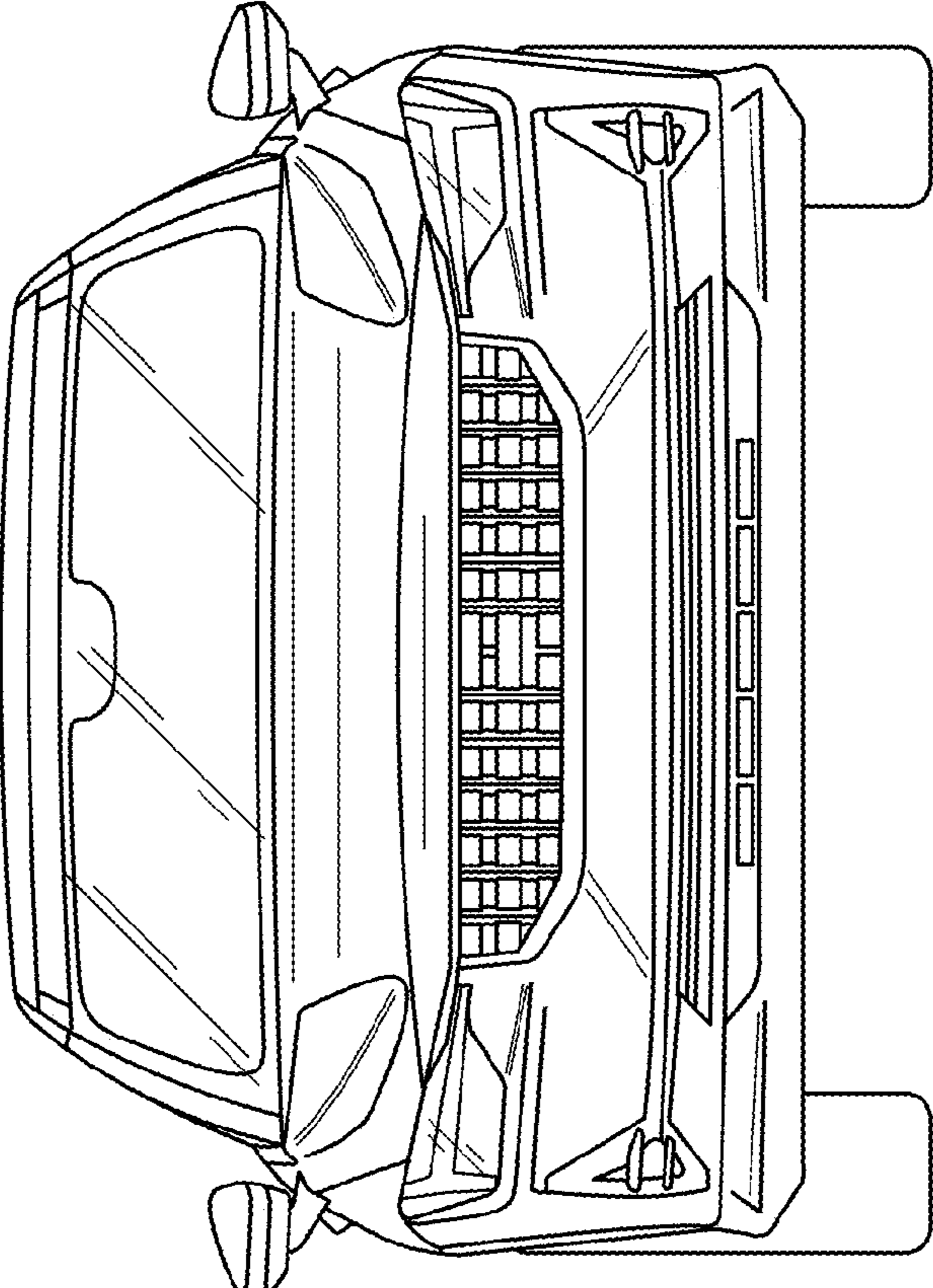


FIG. 6

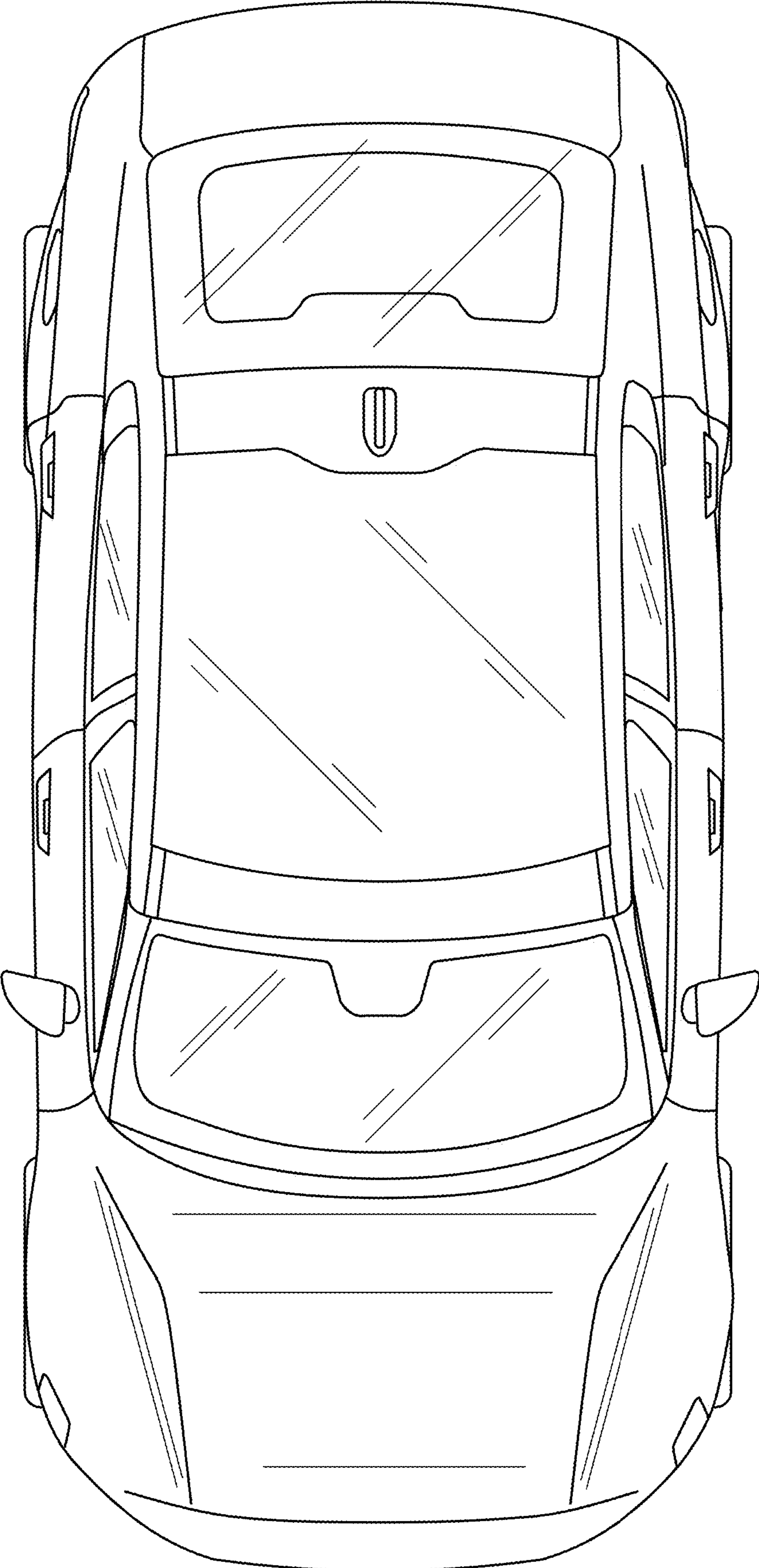


FIG. 7

