



US00D956610S

(12) **United States Design Patent** (10) **Patent No.:** **US D956,610 S**
Reaux (45) **Date of Patent:** **** Jul. 5, 2022**

(54) **FINGER RING HOLDER FOR A SMOKING ARTICLE**
(71) Applicant: **Brian K. Reaux**, Red Oak, TX (US)
(72) Inventor: **Brian K. Reaux**, Red Oak, TX (US)
(73) Assignee: **Brian K. Reaux**, Red Oak, TX (US)
(**) Term: **15 Years**
(21) Appl. No.: **29/651,752**
(22) Filed: **Feb. 25, 2019**
(51) **LOC (13) Cl.** **11-01**
(52) **U.S. Cl.**
USPC **D11/26; D27/183**
(58) **Field of Classification Search**
USPC D11/1, 2, 3, 79, 81, 26-39, 91, 92;
D27/183, 103, 172, 194
CPC A44C 1/00; A44C 9/00; A44C 9/0007;
A44C 9/0015; A44C 9/0023; A44C
9/003; A44C 9/0038; A44C 9/0046; A44C
9/0053; A44C 9/0061; A44C 9/0069;
A44C 9/0076; A44C 9/0092; A44C 9/02;
A44C 5/00; A44C 5/0007; A44C 5/0015;
A44C 5/0023; A44C 5/003; A44C
5/0038; A44C 5/0046; A44C 5/0053;
A44C 5/0061; A44C 17/02; A44C
17/0208; A44C 17/0216; A44C 17/0225;
A44C 17/0233; A44C 17/0241; A44C
17/025; A44C 17/0258; A44C 17/0266;
A44C 17/0275; A44C 17/0283; A44C
17/0291
See application file for complete search history.

(56) **References Cited**
U.S. PATENT DOCUMENTS
1,269,491 A * 6/1918 Murray A24F 13/22
63/15
1,309,707 A * 7/1919 Tinnin A24F 13/16
131/234

1,434,590 A * 11/1922 Chafetz A44C 9/0061
D19/83
D69,386 S * 2/1926 Foley D11/26
2,021,415 A * 11/1935 Gorman A24F 13/22
131/257
2,109,609 A * 3/1938 Aull A44C 9/0061
224/217
D153,465 S * 4/1949 Snellgrove D27/170
2,506,666 A * 5/1950 Graham A24F 13/18
D19/135
D163,424 S * 5/1951 Simpson D11/27
D228,758 S * 10/1973 Petrosky 463/47.4
D342,039 S * 12/1993 Ambar D11/26
D383,996 S * 9/1997 Bulgari D11/26
D564,666 S * 3/2008 Klearman D11/26
D636,288 S * 4/2011 Gaspard D11/30
D794,246 S * 8/2017 Baxter D27/183

(Continued)

OTHER PUBLICATIONS

[Online] "Anti Loss Ring . . ." <https://www.amazon.com/Anti-Loss-Ring-JUUL-Vaporizer-Compatible/dp/B07W3PN5J7?th=1>. Retrieved Feb. 10, 2022. First available May 7, 2019.*

(Continued)

Primary Examiner — Melanie Pellegrini

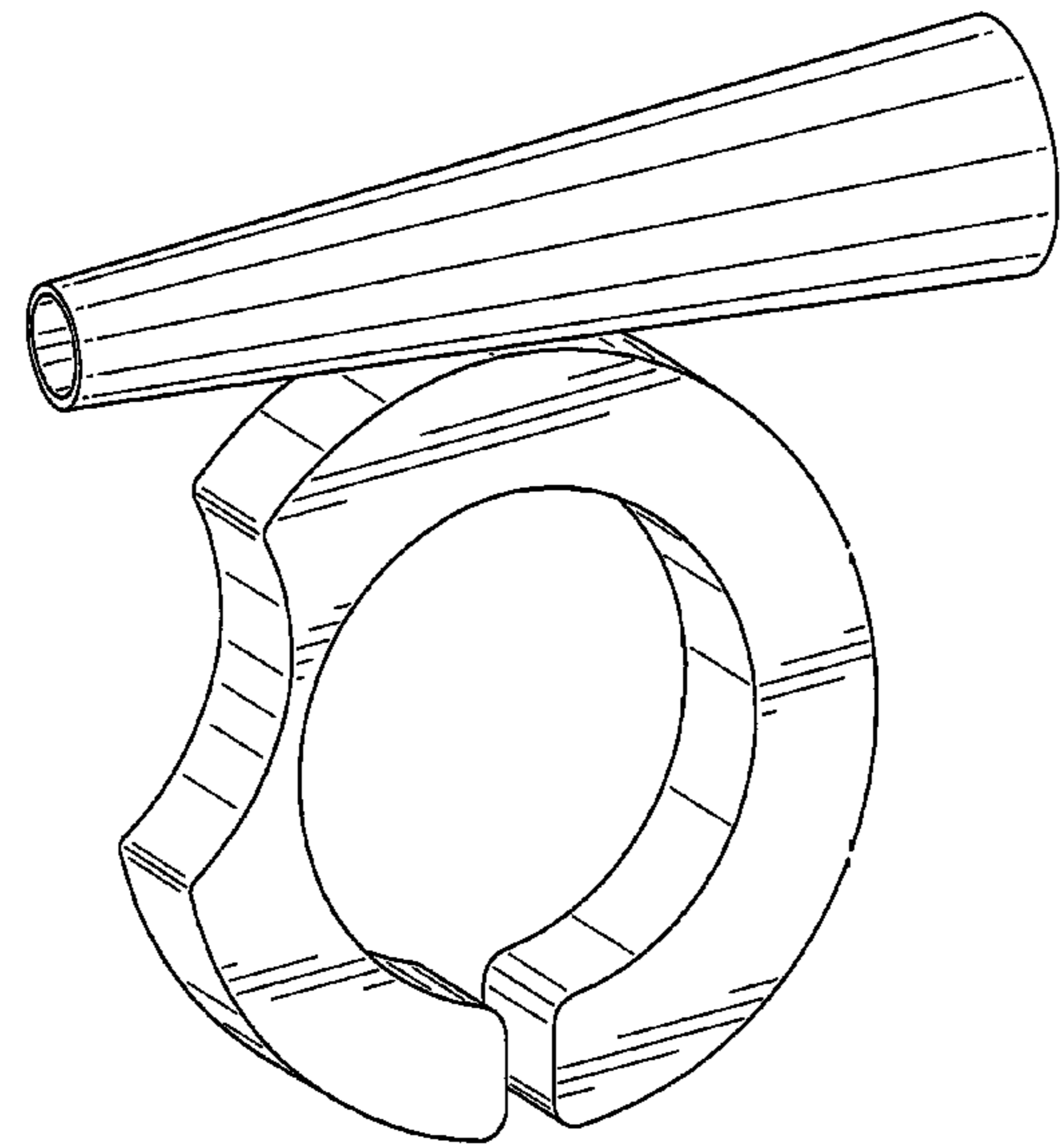
(57) **CLAIM**

I claim the ornamental design for a finger ring holder for a smoking article, as shown and described.

DESCRIPTION

FIG. 1 is a perspective view of a finger ring holder for a smoking article, showing my new design;
FIG. 2 is a top plan view thereof;
FIG. 3 is a bottom plan view thereof;
FIG. 4 is a right side view thereof, the left side view being a mirror image; and,
FIG. 5 is a right side exploded view thereof.

1 Claim, 5 Drawing Sheets



(56)

References Cited

U.S. PATENT DOCUMENTS

D807,223 S * 1/2018 Noguchi D11/79
D809,195 S * 1/2018 Baxter D27/183
D882,448 S * 4/2020 Gurung D11/26
2006/0266374 A1 * 11/2006 Nyborg A24F 13/22
131/258
2009/0044821 A1 * 2/2009 Hatala G01C 9/28
132/214
2019/0014870 A1 * 1/2019 Williams A44C 9/0069
2019/0286189 A1 * 9/2019 Griffin G06F 1/163
2020/0069511 A1 * 3/2020 Lopez G06F 3/016
2021/0030139 A1 * 2/2021 Morales A45D 34/06

OTHER PUBLICATIONS

[Online] "Smoke Ring" https://kingpalm.com/wp-content/uploads/2019/09/black_1_smoke_ring_1_1.png. Retrieved Feb. 10, 2022.*

* cited by examiner

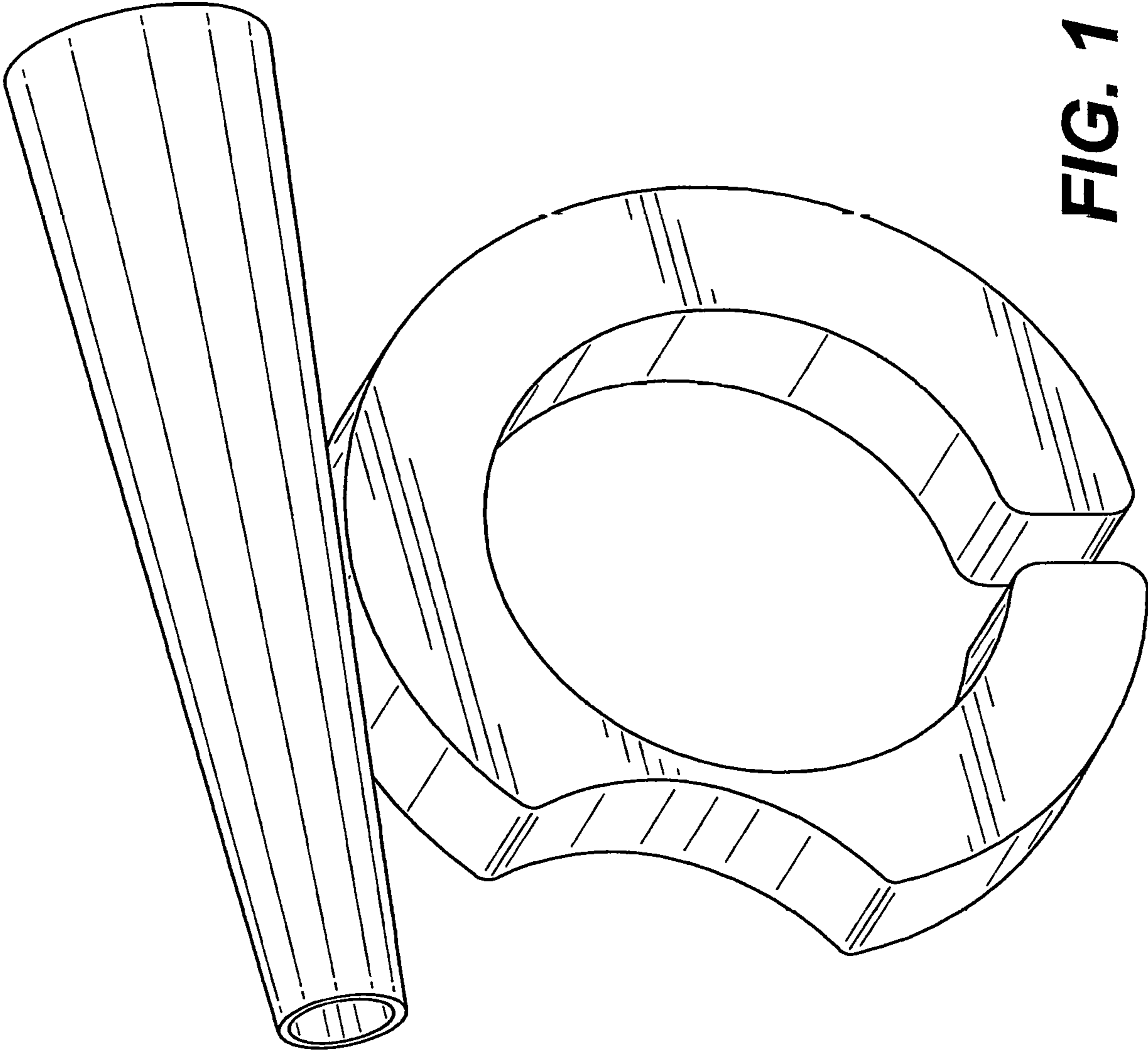


FIG. 1

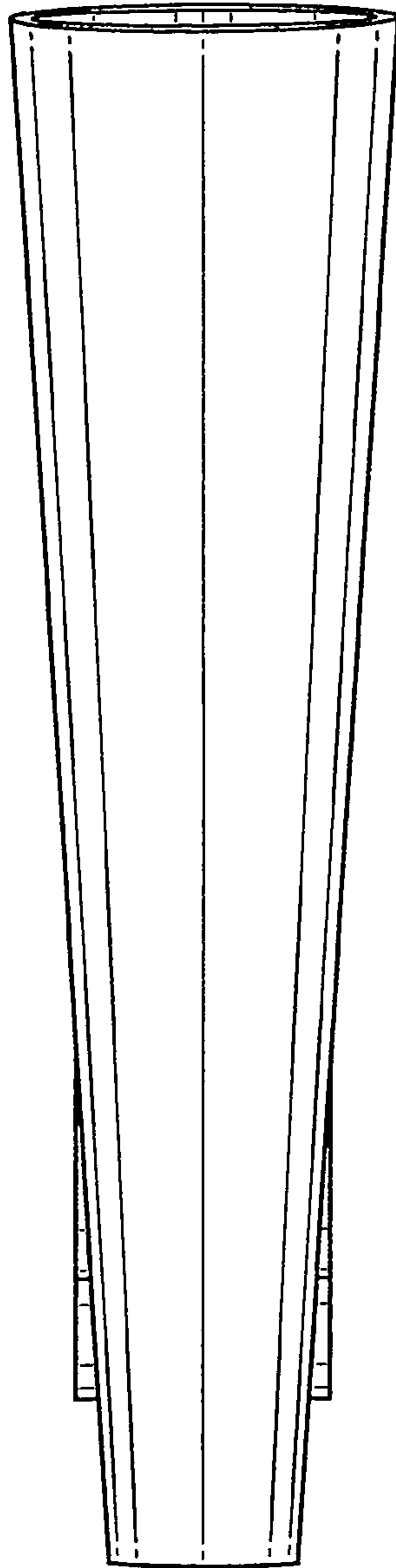


FIG. 2

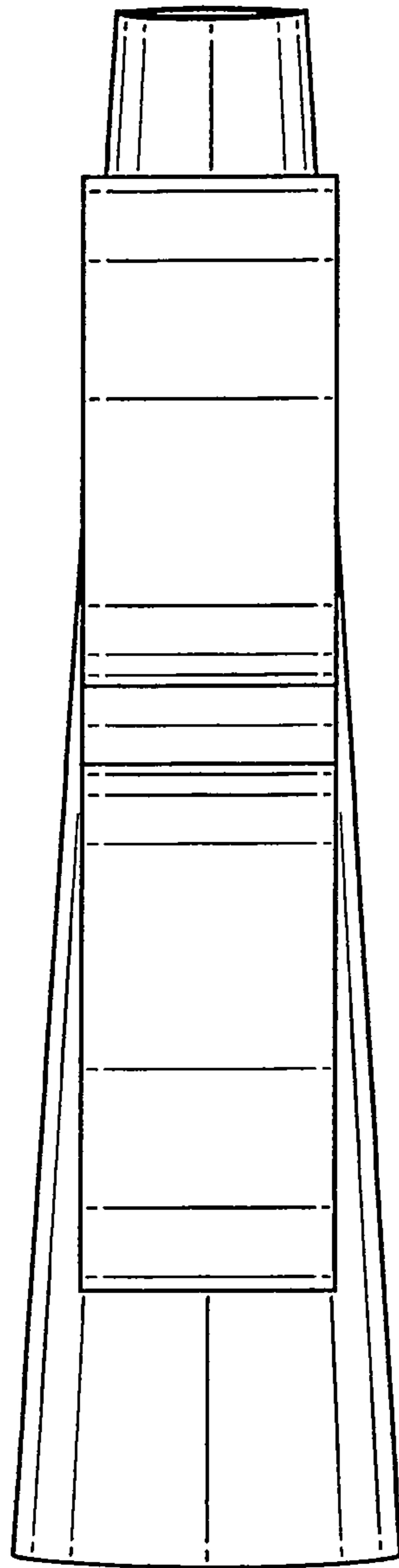


FIG. 3

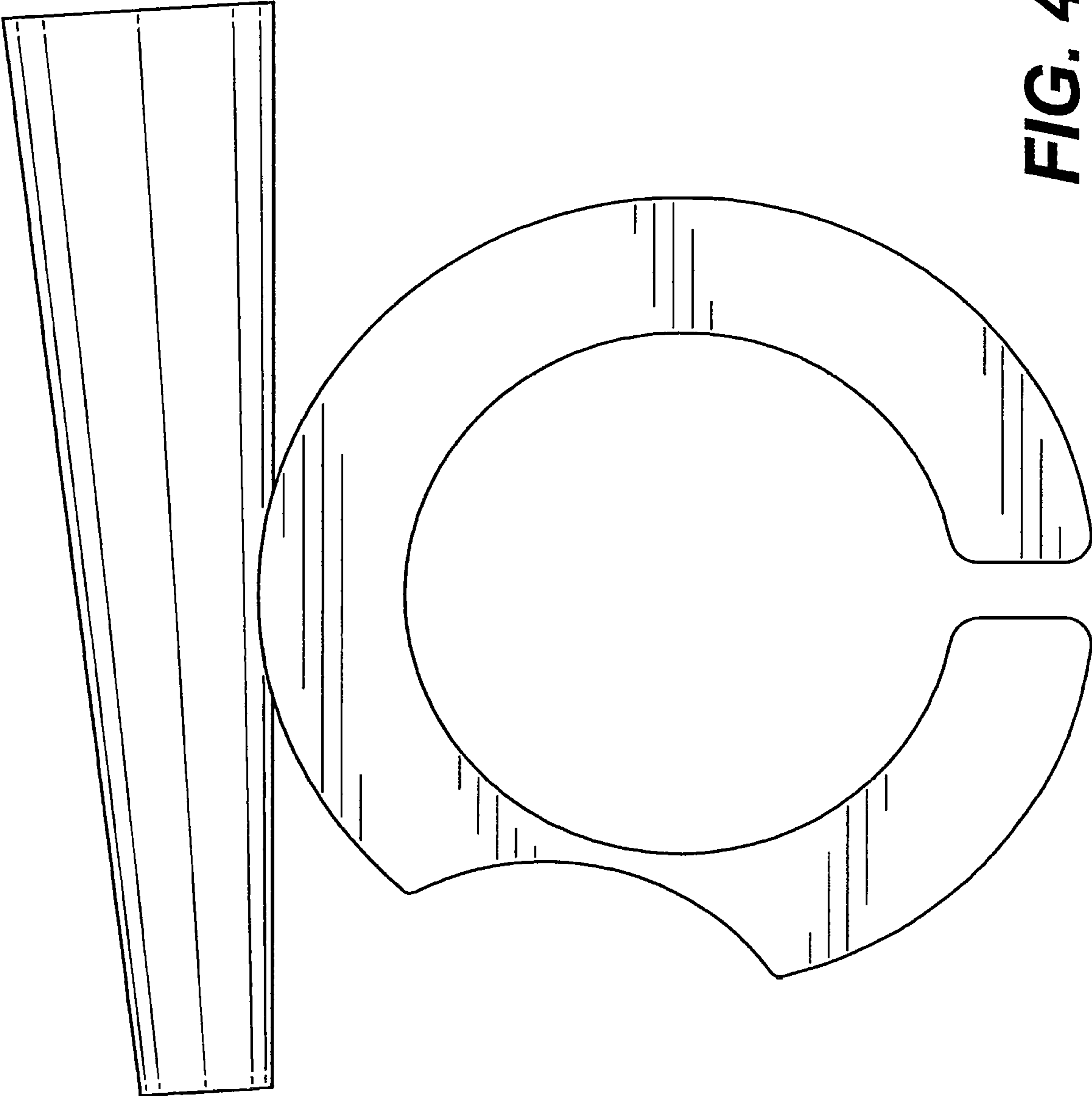


FIG. 4

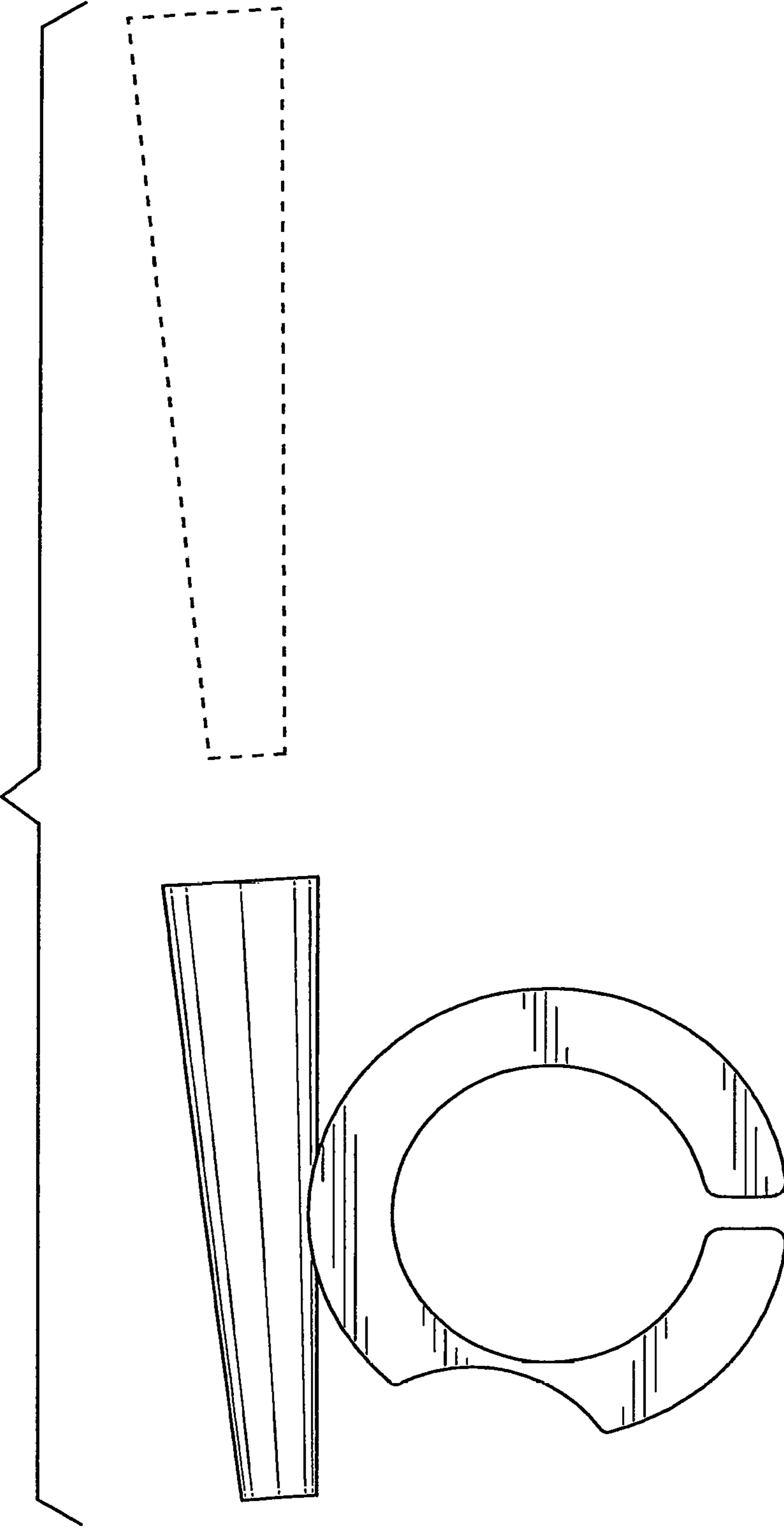


FIG. 5