

US00D956608S

(12) **United States Design Patent**
Kalbach

(10) **Patent No.:** **US D956,608 S**

(45) **Date of Patent:** **** Jul. 5, 2022**

(54) **LOCKABLE RETRACTING LANYARD**

FOREIGN PATENT DOCUMENTS

(71) Applicant: **EK Ekcessories, Inc.**, Nibley, UT (US)

CN 306835248 * 9/2020
CN 306865718 * 6/2021

(72) Inventor: **Edward Van Lee Kalbach**, Nibley, UT (US)

(Continued)

(73) Assignee: **Ek Ekcessories, Inc.**, Nibley, UT (US)

OTHER PUBLICATIONS

(**) Term: **15 Years**

Amazon Boomerang Game Call Retractable Tether 24" pp. 1-6
https://www.amazon.com/T-REIGN-Retractable-Tether-Carabiner-Polycarbonate/dp/B01BLUJ2JC/ref=sr_1_44?keywords=retractable+lanyard&qid=16%E2%80%A6 (Year: 2021).*

(21) Appl. No.: **29/652,554**

(Continued)

(22) Filed: **Sep. 17, 2020**

(51) **LOC (13) Cl.** **11-01**

Primary Examiner — Kevin K Rudzinski

(52) **U.S. Cl.**

Assistant Examiner — Evans David Delesline

USPC **D11/3**

(74) *Attorney, Agent, or Firm* — TraskBritt

(58) **Field of Classification Search**

USPC D11/3; D30/152, 153; D3/207, 215
CPC .. A44C 5/2019; A44C 5/0092; A44C 15/0085
See application file for complete search history.

(57) **CLAIM**

The ornamental design for lockable retracting lanyard, as shown and described.

(56) **References Cited**

DESCRIPTION

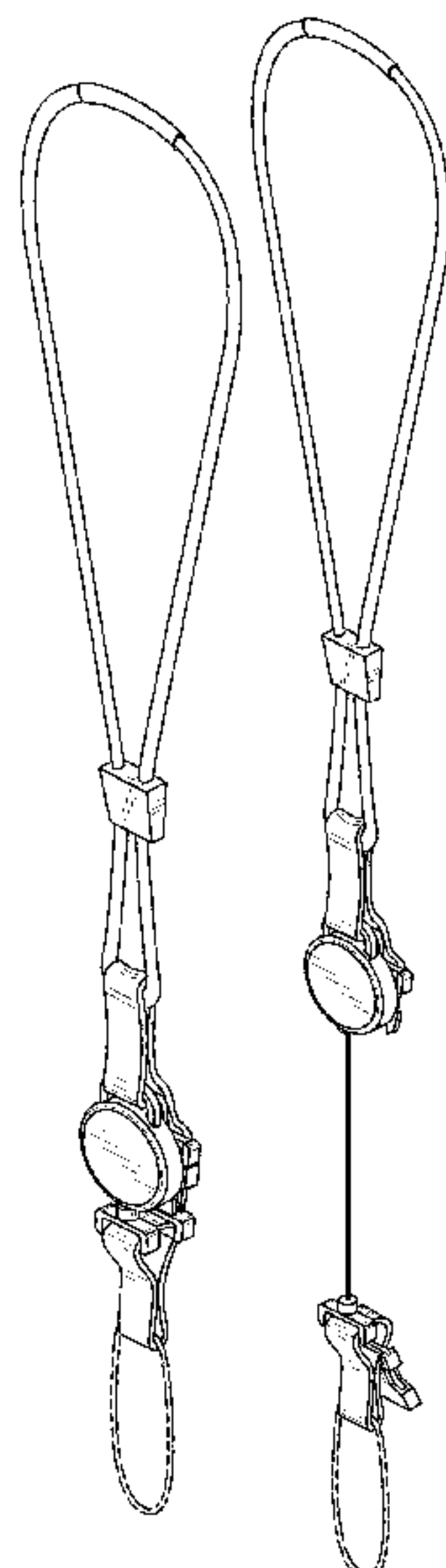
U.S. PATENT DOCUMENTS

| | | | | |
|--------------|---------|-------------|-------|---------|
| D310,305 S * | 9/1990 | Scognamillo | | D11/216 |
| D310,448 S * | 9/1990 | Scognamillo | | D11/216 |
| D382,503 S * | 8/1997 | Kalbach | | D11/7 |
| D418,774 S * | 1/2000 | Kalbach | | D11/7 |
| D462,523 S * | 9/2002 | Kalbach | | D3/327 |
| D467,416 S * | 12/2002 | Kalbach | | D3/215 |
| D477,709 S * | 7/2003 | Natividad | | D3/218 |
| D601,338 S * | 10/2009 | Mutcher | | D3/207 |
| D625,512 S * | 10/2010 | Blaney | | D3/215 |
| D629,331 S * | 12/2010 | Kalbach | | D11/215 |
| D644,139 S * | 8/2011 | Kalbach | | D11/95 |
| D662,435 S * | 6/2012 | Kalbach | | D3/215 |
| D662,436 S * | 6/2012 | Kalbach | | D3/215 |
| D672,278 S * | 12/2012 | Kalbach | | D11/201 |
| D672,279 S * | 12/2012 | Kalbach | | D11/201 |
| D676,618 S * | 2/2013 | Kalbach | | D30/153 |
| D677,188 S * | 3/2013 | Kalbach | | D3/215 |

(Continued)

FIG. 1 is a front right perspective view of a lockable retracting lanyard according to my new design in a retracted and locked configuration;
FIG. 2 is a front view of the lanyard shown in FIG. 1 in the retracted and locked configuration;
FIG. 3 is a back view of the lanyard shown in FIG. 1 in the retracted and locked configuration;
FIG. 4 is a left side view of the lanyard shown in FIG. 1 in the retracted and locked configuration;
FIG. 5 is a right side view of the lanyard shown in FIG. 1 in the retracted and locked configuration;
FIG. 6 is front right perspective view of the lanyard shown in FIG. 1 in an unlocked and extended configuration; and,
FIG. 7 is front view of the lanyard shown in FIG. 1 in the unlocked and extended configuration.

1 Claim, 4 Drawing Sheets



(56)

References Cited

U.S. PATENT DOCUMENTS

D677,189 S * 3/2013 Kalbach D3/215
D677,842 S * 3/2013 Kalbach D30/153
D679,218 S * 4/2013 Kalbach D11/200
D681,504 S * 5/2013 Kalbach D11/201
D682,488 S * 5/2013 Kalbach D30/153
D682,489 S * 5/2013 Kalbach D30/153
D699,144 S * 2/2014 Kalbach D11/3
D723,795 S * 3/2015 Kalbach D3/218

FOREIGN PATENT DOCUMENTS

CN 306835248 * 9/2021
CN 306865718 * 10/2021

OTHER PUBLICATIONS

Saekodive Retractable Lanyard AR-03A pp. 1-3 <https://www.orca-industries.co.za/product/saekodive-retractable-lanyard-ar-03a/> (Year: 2021).*

Heavy Duty US Flag C4 Lanyard with Key Rings for ID Holder, Wallet & Keys pp. 1-3 https://www.amazon.com/Lanyard-Durable-Safety-Breakaway-Buckle/dp/B08CT22BGM/ref=sr_1_30_sspa?keywords=lockable%2Bretracting%2Blany%E2%80%A6 (Year: 2021).*

* cited by examiner

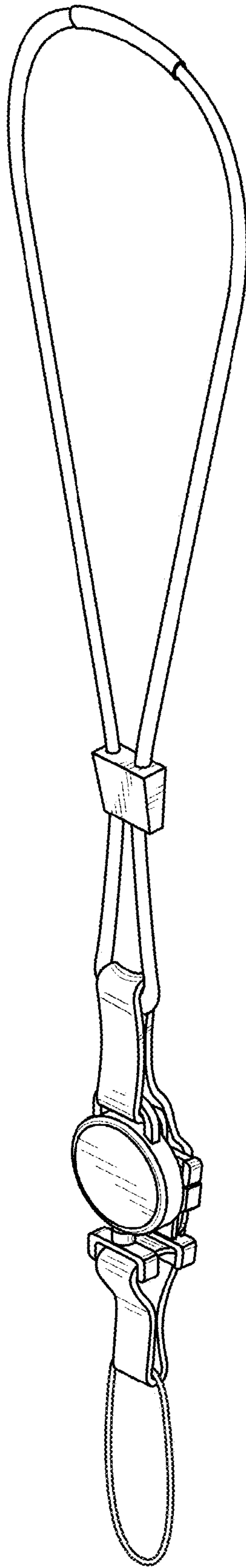


FIG. 1

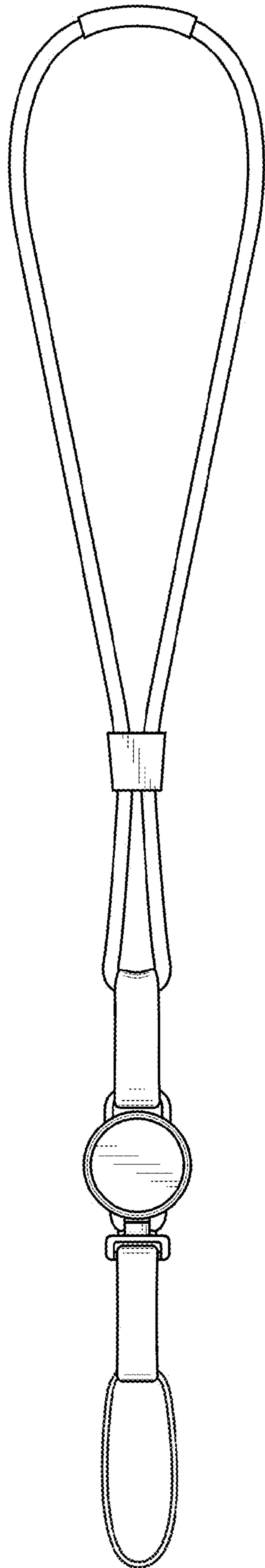


FIG. 2

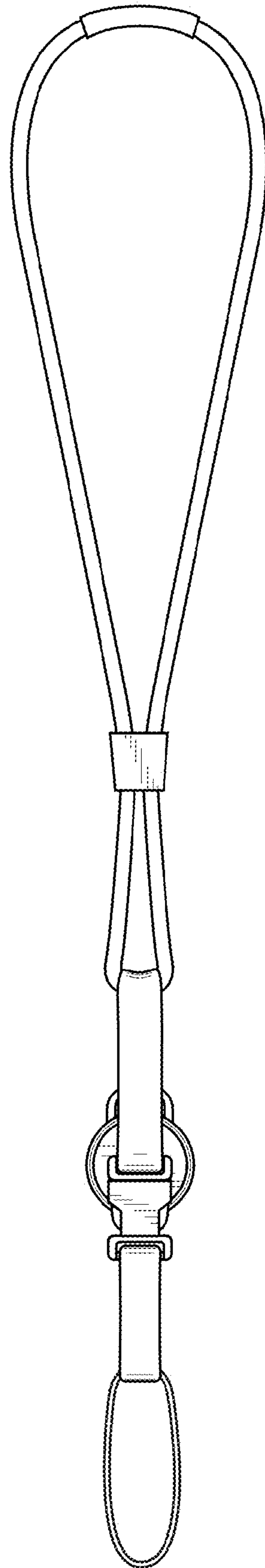


FIG. 3



FIG. 4

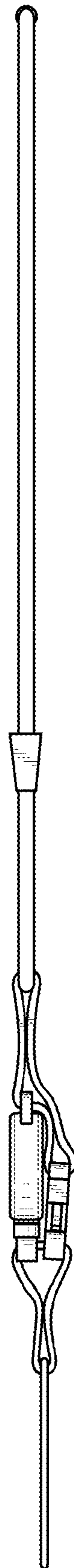


FIG. 5

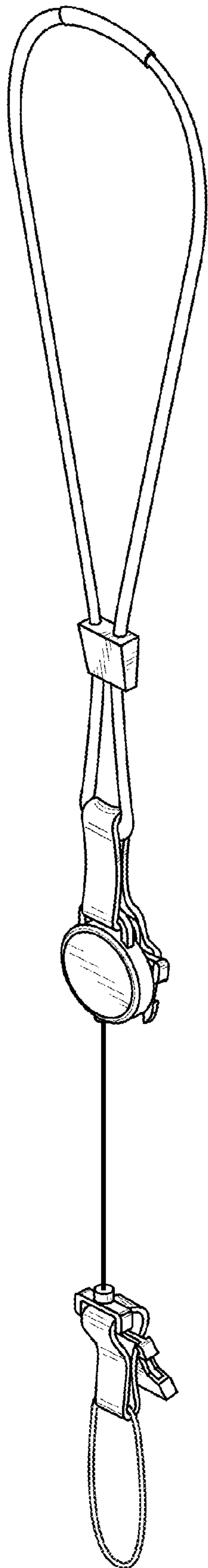


FIG. 6

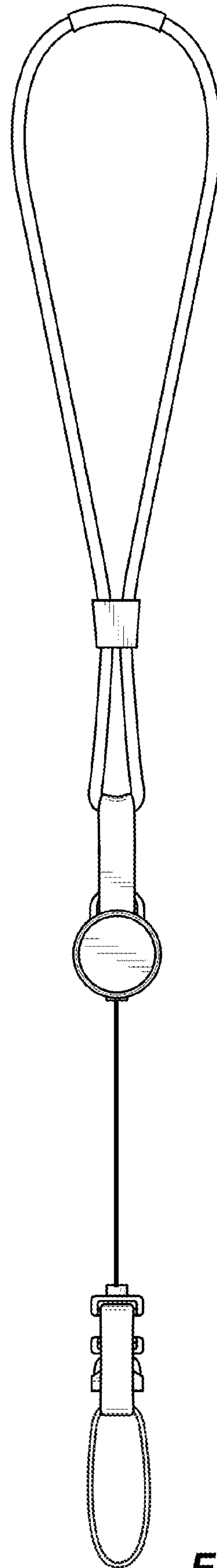


FIG. 7