



US00D956607S

(12) **United States Design Patent**
Eden et al.

(10) **Patent No.:** **US D956,607 S**
(45) **Date of Patent:** **** Jul. 5, 2022**

- (54) **SECURITY TAG HOLDER**
- (71) Applicants: **Keith C. Eden**, Rockford, IL (US);
Gregory A. Mackey, II, Painesville,
OH (US); **Shane Obitts**, North
Ridgeville, OH (US)
- (72) Inventors: **Keith C. Eden**, Rockford, IL (US);
Gregory A. Mackey, II, Painesville,
OH (US); **Shane Obitts**, North
Ridgeville, OH (US)
- (73) Assignee: **Fasteners for Retail, Inc.**, Twinsburg,
OH (US)
- (**) Term: **15 Years**
- (21) Appl. No.: **29/731,655**
- (22) Filed: **Apr. 16, 2020**
- (51) **LOC (13) Cl.** **10-06**
- (52) **U.S. Cl.**
USPC **D10/121**
- (58) **Field of Classification Search**
USPC D10/106.94, 32, 60, 104.1, 106.1, 106.9,
D10/106.91-94, 104.2, 121, 125;
D8/333, 368, 396
CPC ... G06K 19/0723; G08B 13/02; B65D 55/028
See application file for complete search history.

- (56) **References Cited**
U.S. PATENT DOCUMENTS
D337,067 S * 7/1993 Patterson D10/106.1
D391,508 S * 3/1998 Lucas D10/104.1
D422,487 S * 4/2000 Khokhar D8/396
D459,206 S * 6/2002 Caveney D8/396
D520,393 S * 5/2006 Darby D10/104.1
D534,822 S * 1/2007 Wadda D10/104.1
D535,205 S * 1/2007 Frederick D10/104.1

- D708,534 S * 7/2014 Martin D10/104.1
- D807,877 S * 1/2018 Iwamatsu D14/344
- D815,551 S * 4/2018 Taylor D10/104.1
- D896,117 S * 9/2020 Nagel D10/106.91
- 11,087,601 B1 * 8/2021 Ewing G08B 21/182
- 2004/0237267 A1 12/2004 Copen et al.
- 2010/0154265 A1 6/2010 Pouloukefalos
- 2010/0253524 A1 * 10/2010 Kolton B65D 23/14
340/572.9
- 2012/0031980 A1 2/2012 Tiedmann
- 2015/0287299 A1 10/2015 Eckert et al.
- 2021/0279539 A1 * 9/2021 Eden G06K 19/0723
- 2021/0355715 A1 * 11/2021 Eden G08B 13/2434

* cited by examiner

Primary Examiner — George D. Kirschbaum

Assistant Examiner — Lillian Windham

(74) *Attorney, Agent, or Firm* — Reinhart Boerner Van
Deuren P.C.

(57) **CLAIM**

We claim the ornamental design for a security tag holder, as shown and described.

DESCRIPTION

FIG. 1 is a perspective illustration of a security tag holder mounted to a cylindrical object;

FIG. 2 is a rear perspective illustration of the security tag holder of FIG. 1;

FIG. 3 is a front view of the security tag holder of FIG. 1;

FIG. 4 is a rear view of the security tag holder of FIG. 1;

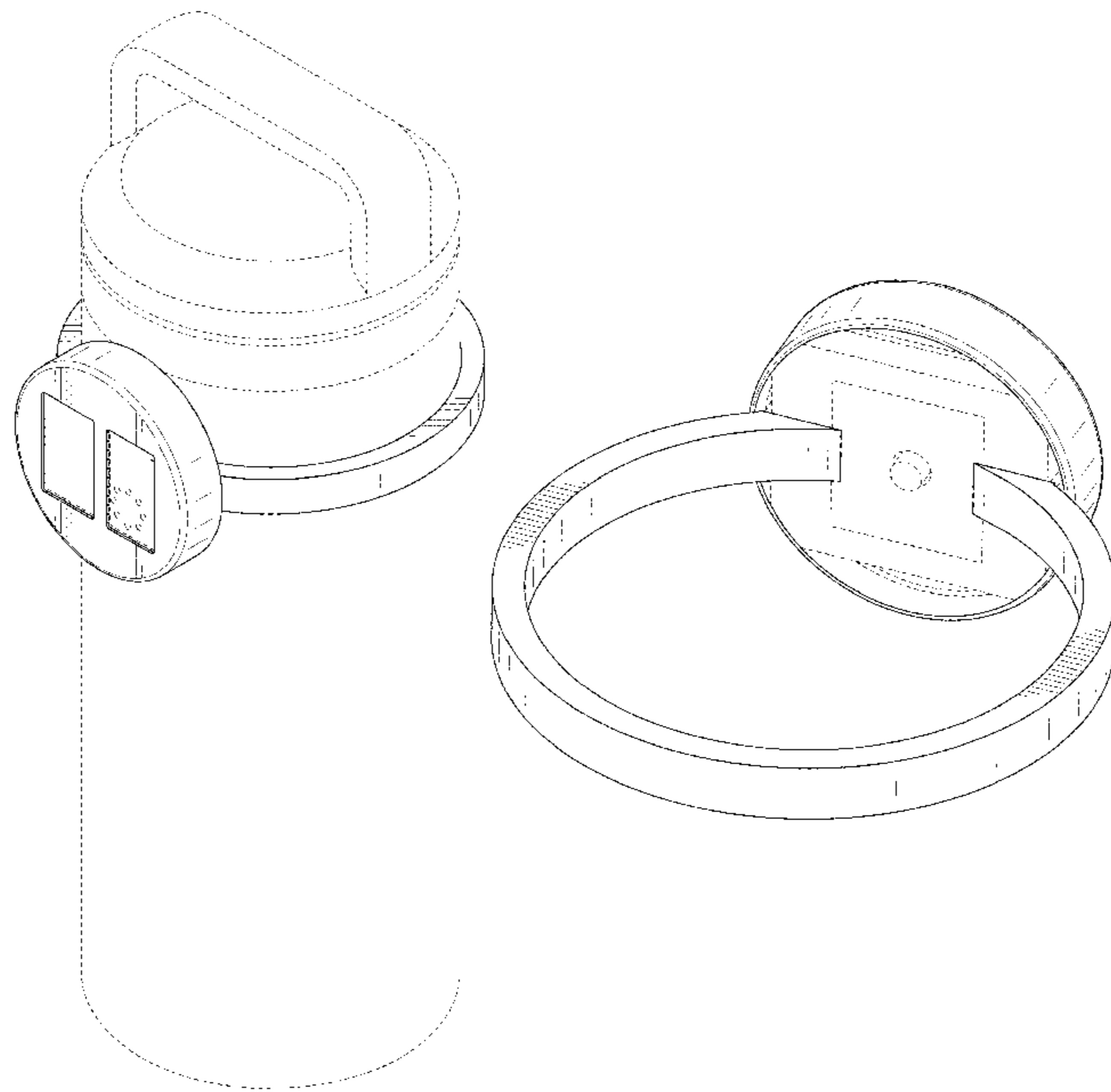
FIG. 5 is a first side view of the security tag holder of FIG. 1;

FIG. 6 is a second side view, opposite the first side view, of the security tag holder of FIG. 1;

FIG. 7 is a top view of the security tag holder of FIG. 1; and,

FIG. 8 is a bottom view of the security tag holder of FIG. 1. The broken lines form no part of the claimed design.

1 Claim, 6 Drawing Sheets



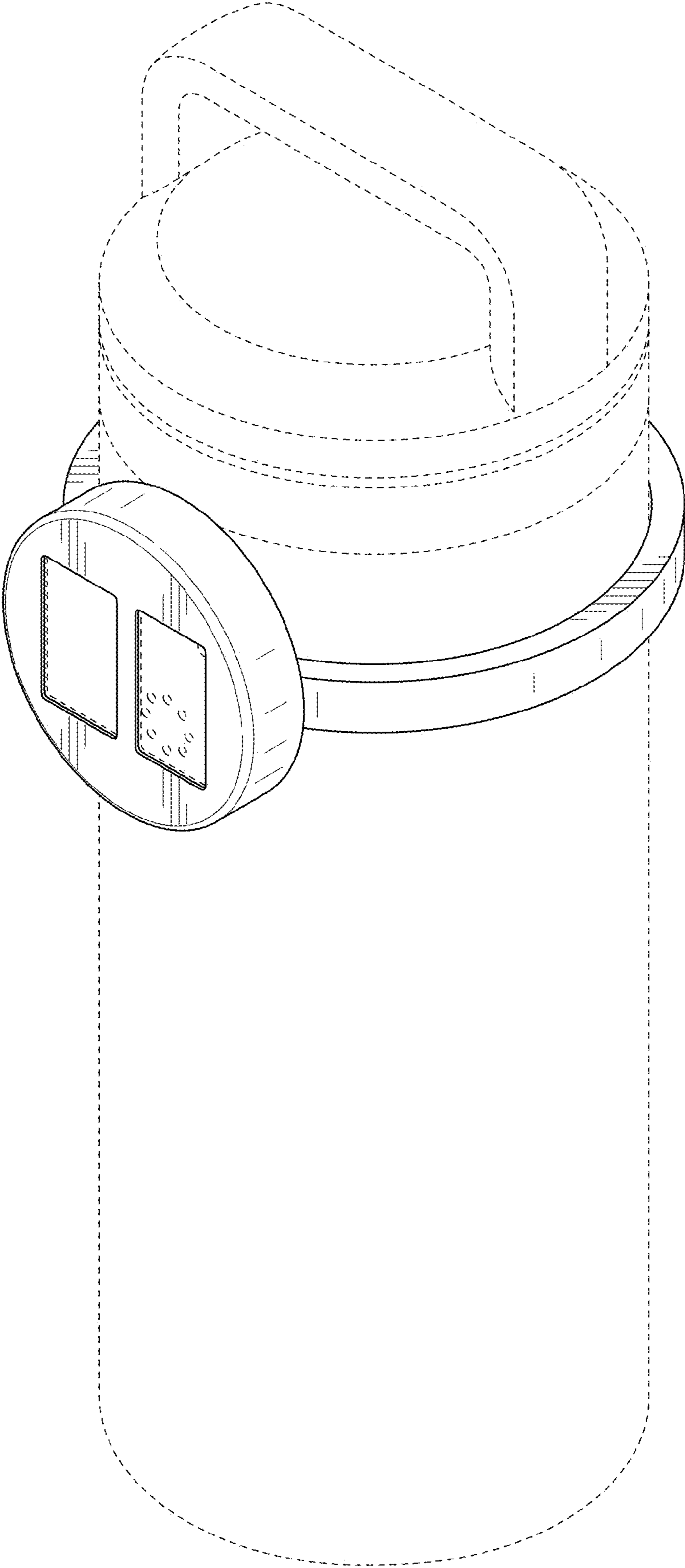


FIG. 1

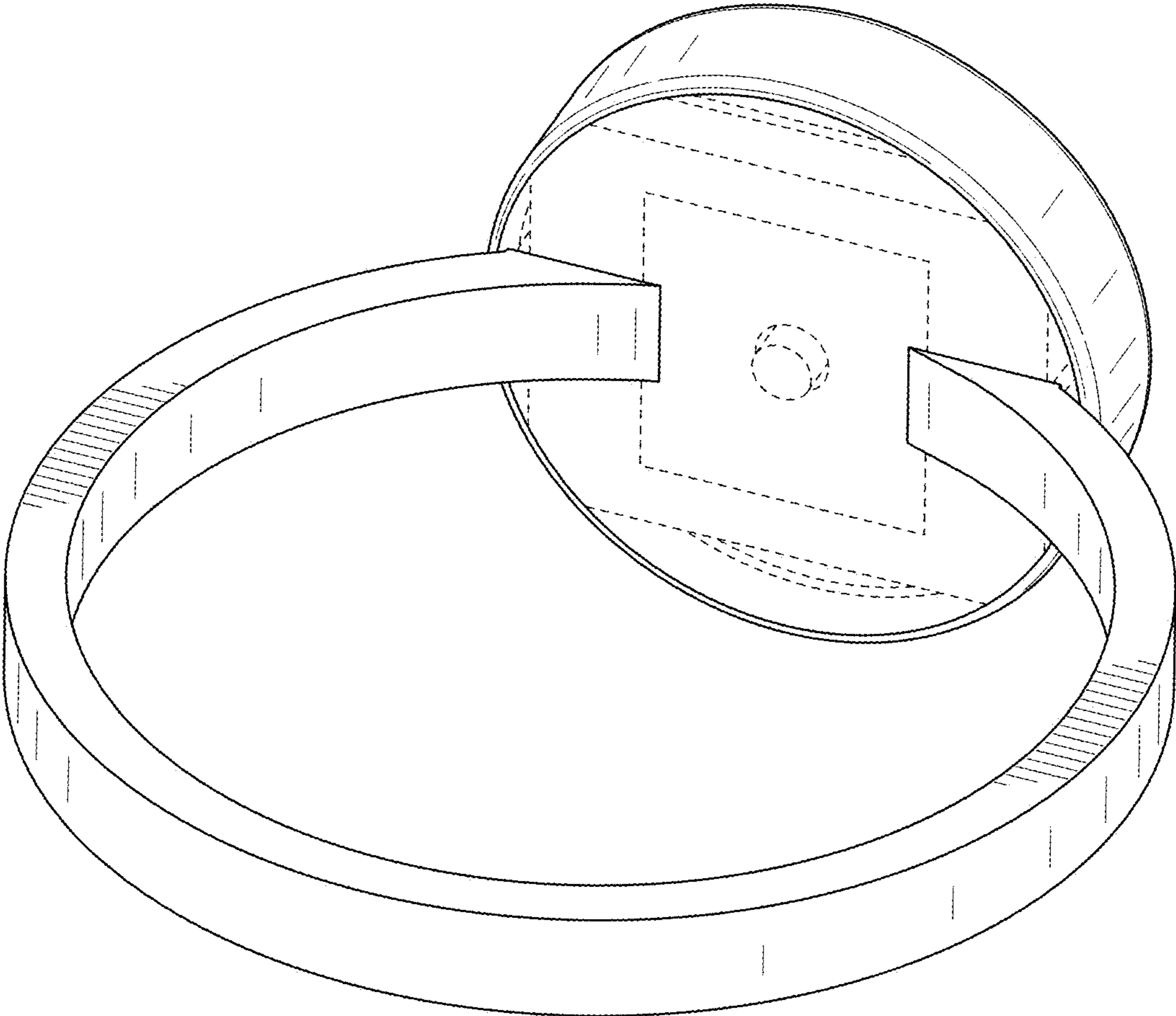


FIG. 2

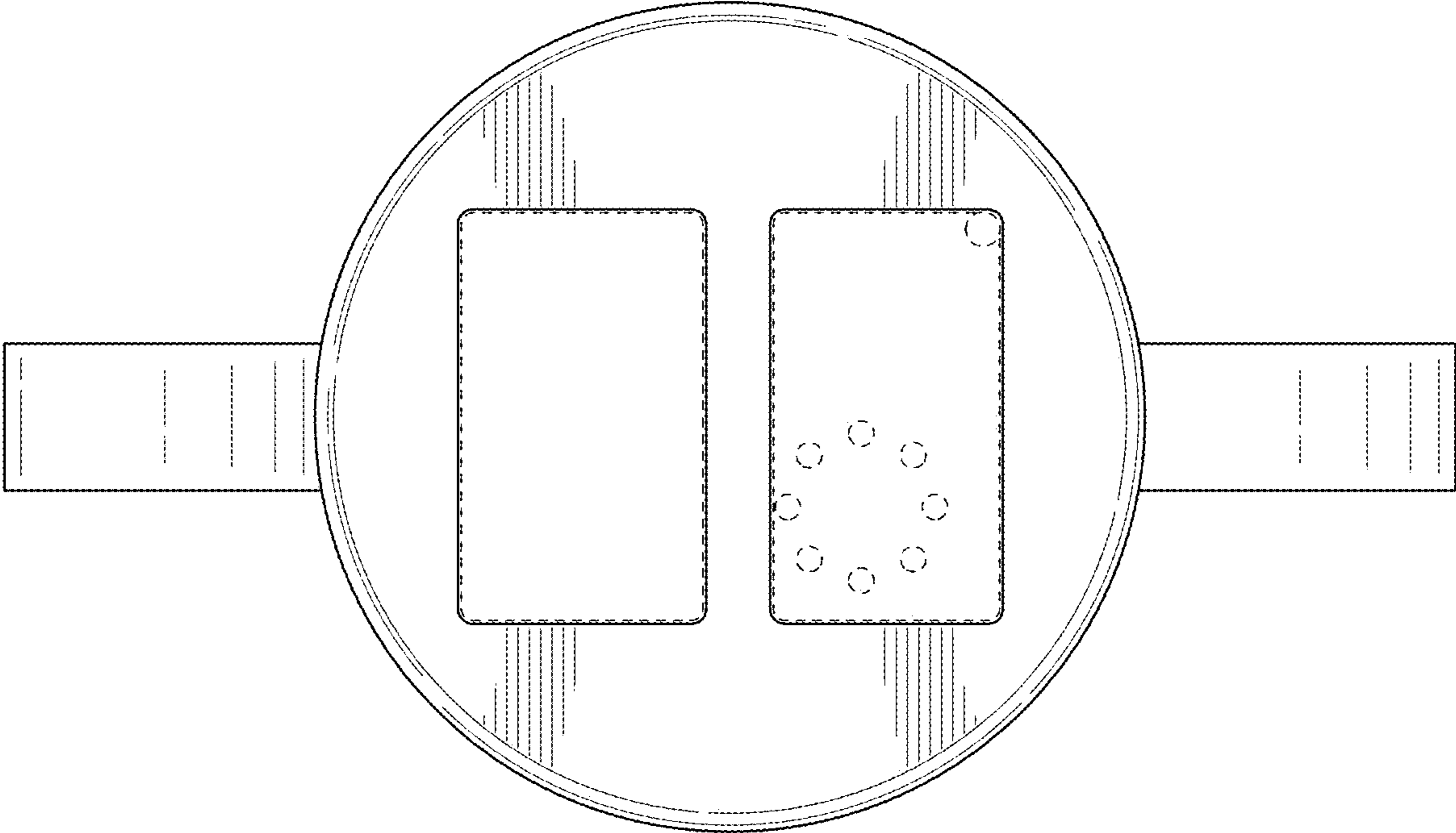


FIG. 3

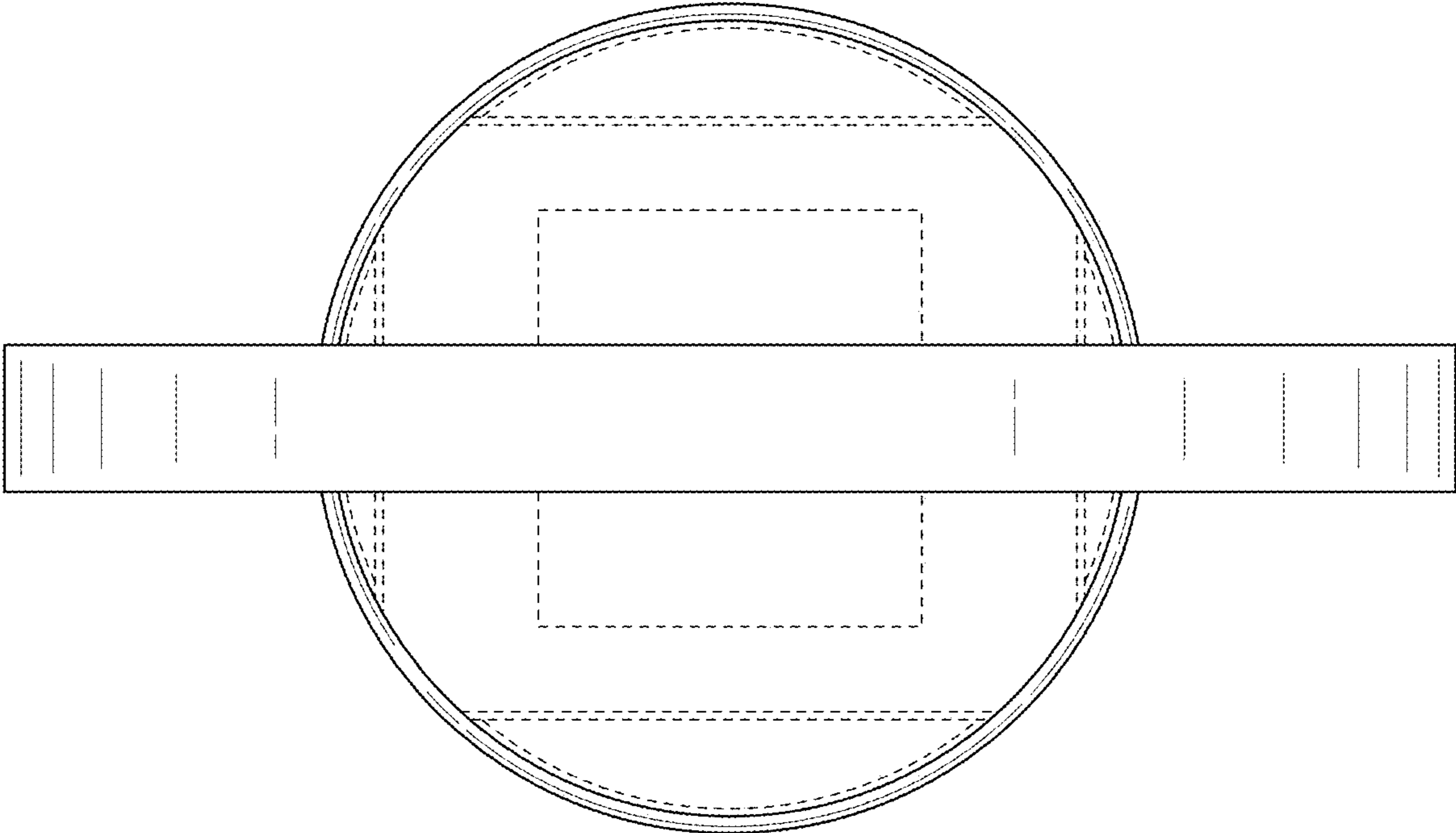
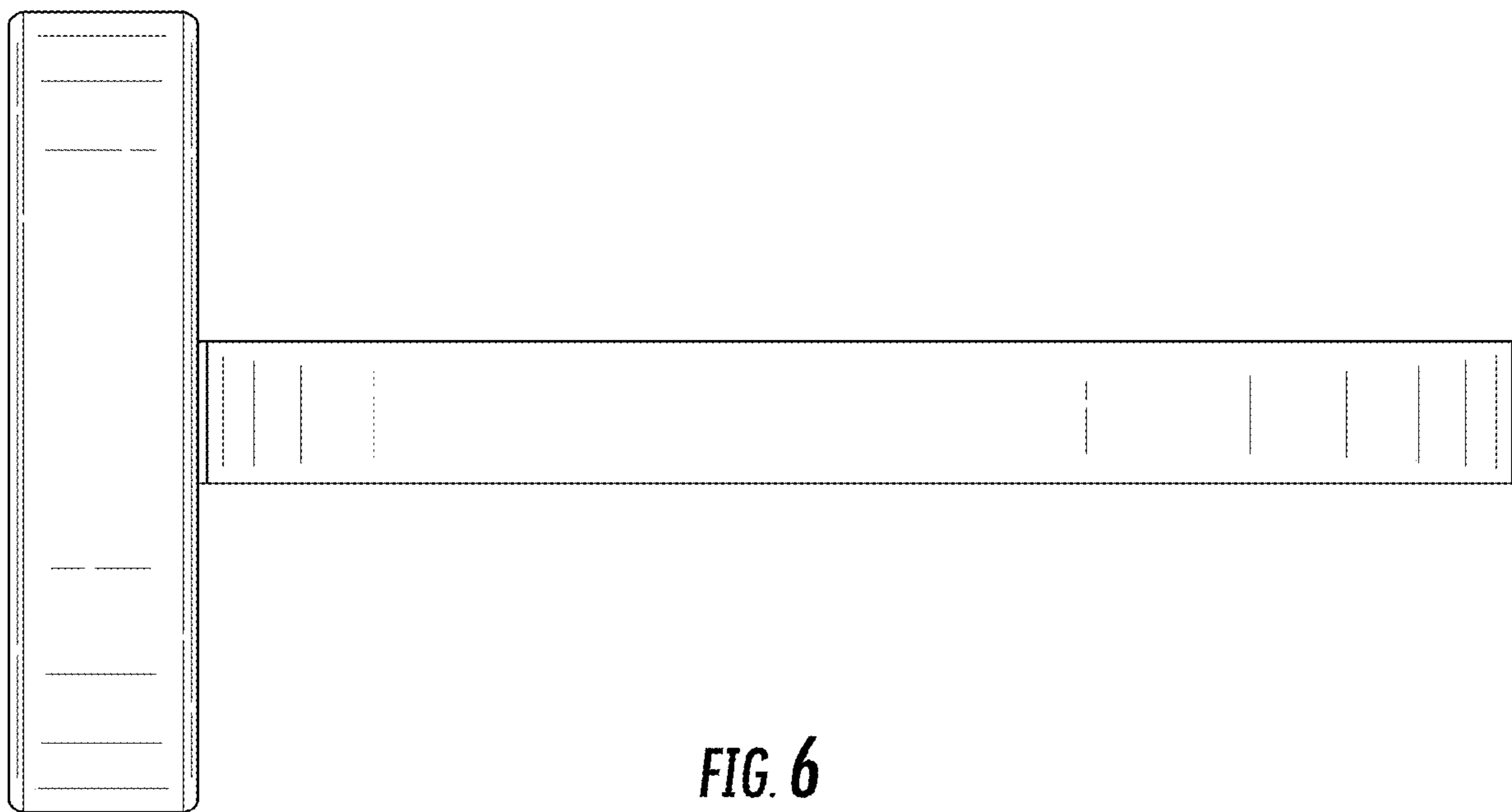
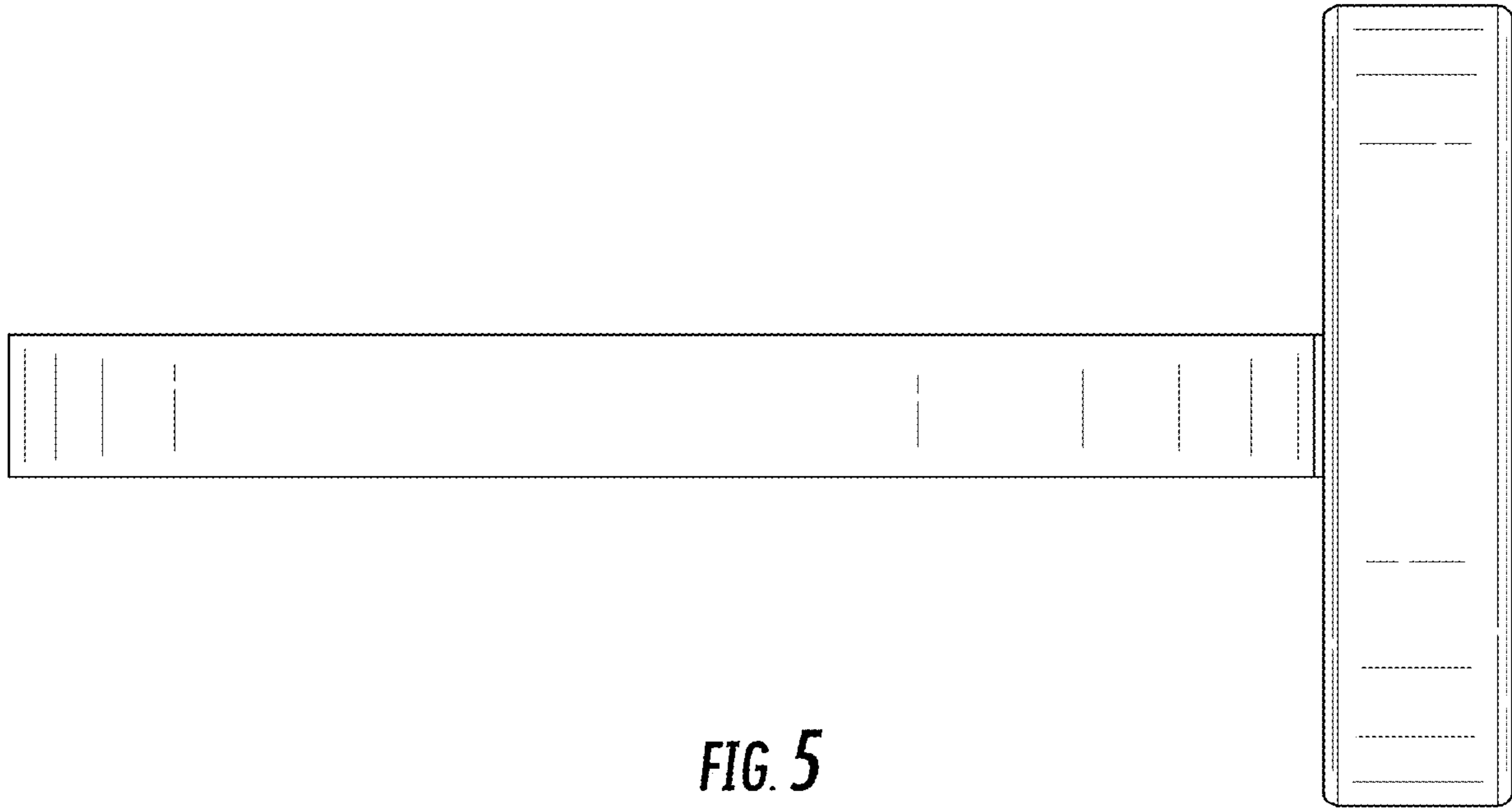


FIG. 4



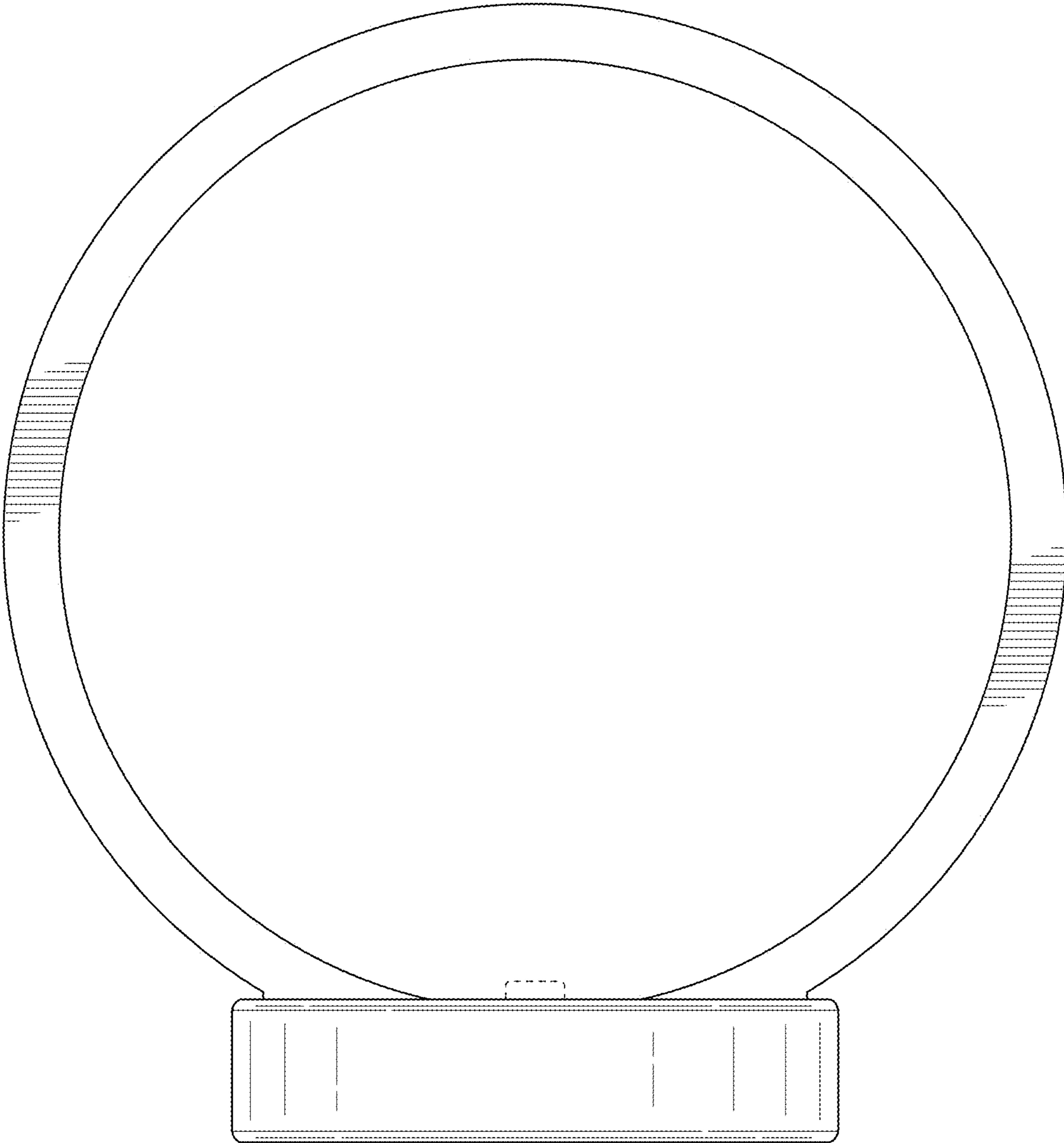


FIG. 7

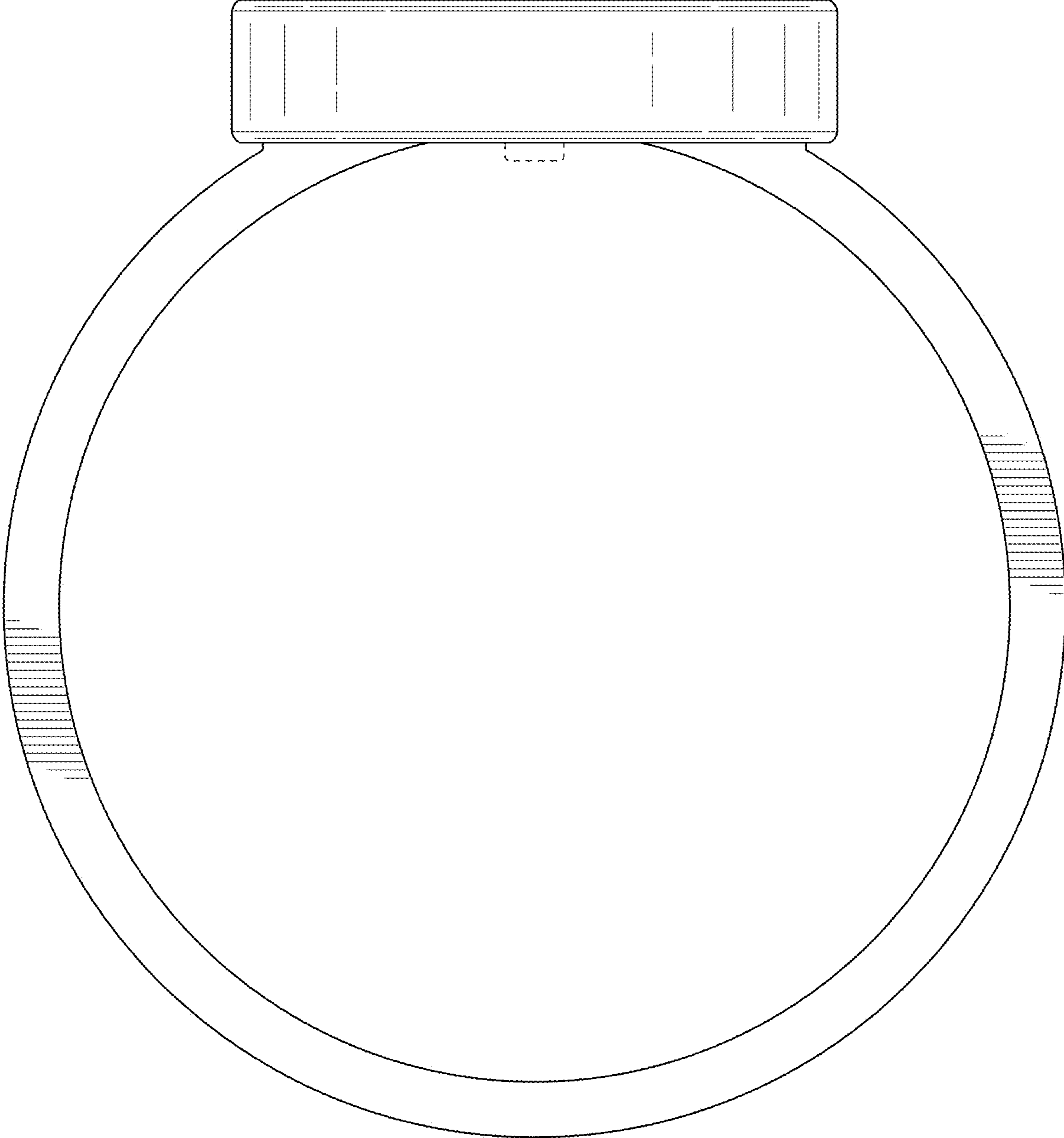


FIG. 8