



US00D956606S

(12) **United States Design Patent**
Joyce

(10) **Patent No.:** **US D956,606 S**

(45) **Date of Patent:** **** Jul. 5, 2022**

(54) **FLARE STAND**

(71) Applicant: **SBI Smart Brands International (America) Ltd.**, Vaughn (CA)

(72) Inventor: **Michael Joyce**, Richmond Hill (CA)

(73) Assignee: **SBI Smart Brands International (America) Ltd.**, Vaughn (CA)

(**) Term: **15 Years**

(21) Appl. No.: **29/716,676**

(22) Filed: **Dec. 11, 2019**

(30) **Foreign Application Priority Data**

May 15, 2019 (CA) CA 187608

(51) **LOC (13) Cl.** **10-06**

(52) **U.S. Cl.**
USPC **D10/121**

(58) **Field of Classification Search**
USPC D10/113.1-113.4, 106.1-106.95,
D10/109.1-115, 121; D14/204, 209, 210,
D14/215, 216; D26/37, 60, 72
CPC F21L 4/00-085; F21V 21/0824
See application file for complete search history.

(56) **References Cited**

U.S. PATENT DOCUMENTS

D389,078 S * 1/1998 Freeman F21V 21/0824
D10/113.2
D462,918 S * 9/2002 Kim D10/121

D506,942 S * 7/2005 Leung D10/113.2
D562,715 S * 2/2008 Treloar D10/113.3
D581,304 S * 11/2008 Phillips D10/113.2
D607,360 S * 1/2010 Arosio D26/51
D893,332 S * 8/2020 Barnes D10/113.1
10,976,035 B2 * 4/2021 Joyce F21V 21/0824
2021/0033269 A1 * 2/2021 Joyce F21V 21/0824

* cited by examiner

Primary Examiner — Joseph Kukella

(74) *Attorney, Agent, or Firm* — McMillan LLP

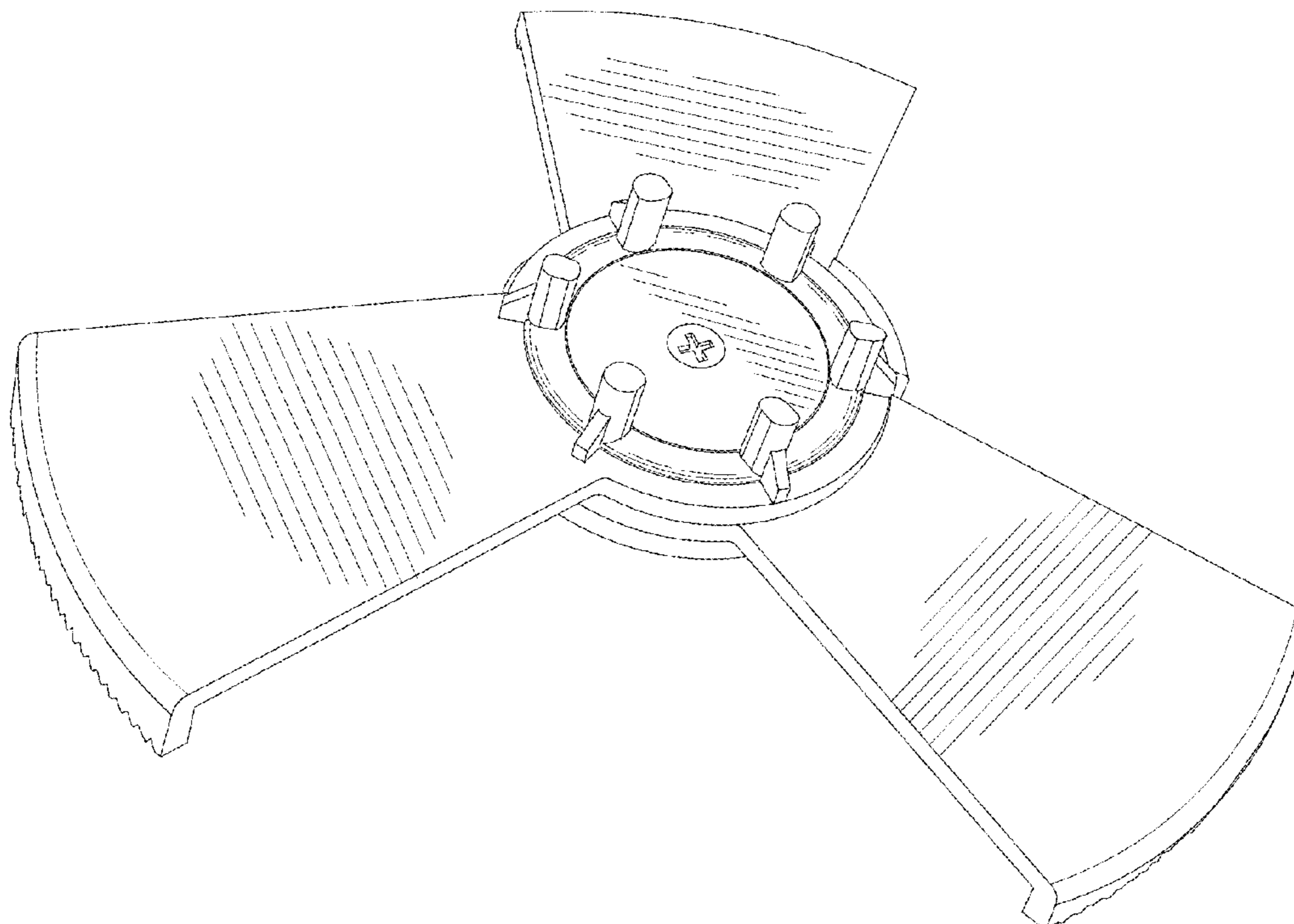
(57) **CLAIM**

The ornamental design for a flare stand, as shown and described.

DESCRIPTION

FIG. 1 is a top perspective view of a flare stand showing my new design;
FIG. 2 is a bottom perspective view thereof;
FIG. 3 is a top plan view thereof;
FIG. 4 is a bottom plan view thereof;
FIG. 5 is a front elevation view thereof;
FIG. 6 is a rear elevation view thereof;
FIG. 7 is a right side elevation view thereof;
FIG. 8 is a left side elevation view thereof;
FIG. 9 is an exploded top perspective view thereof;
FIG. 10 is a top perspective view thereof in a collapsed mode;
FIG. 11 is a top view thereof in the collapsed mode; and,
FIG. 12 is a side sectional view thereof in the collapsed mode taken at 12-12 of FIG. 11.

1 Claim, 9 Drawing Sheets



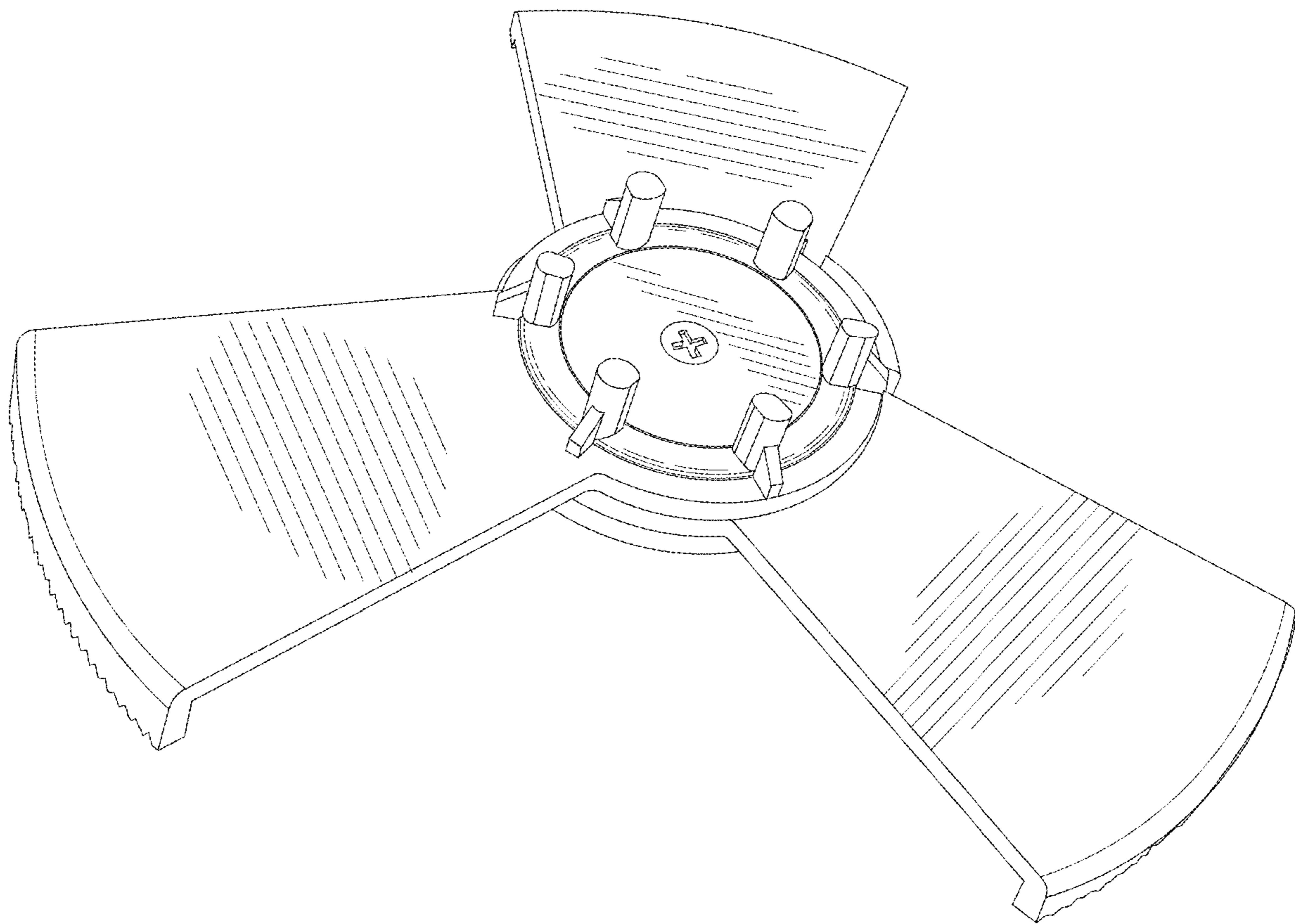


FIG. 1

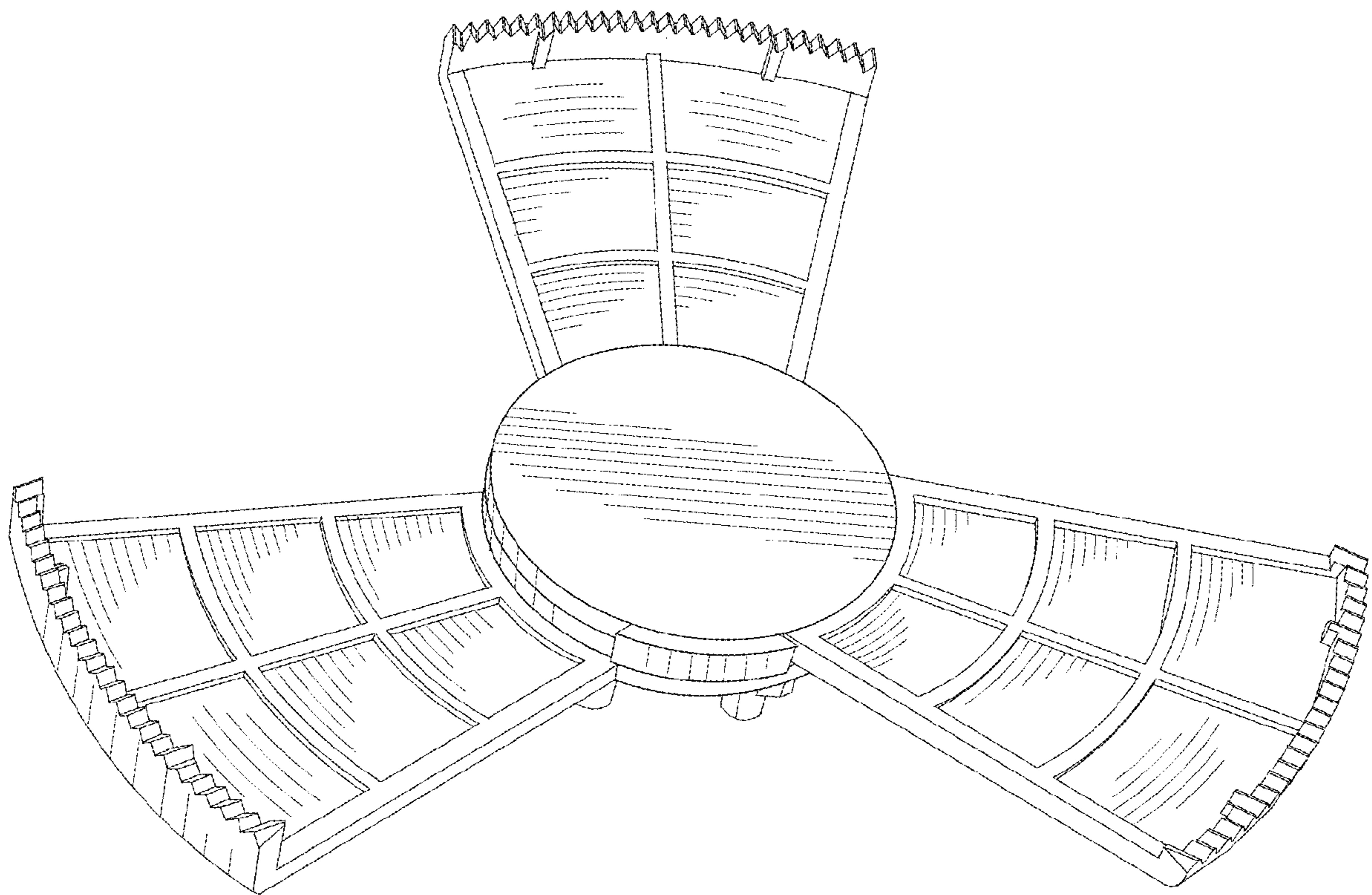


FIG. 2

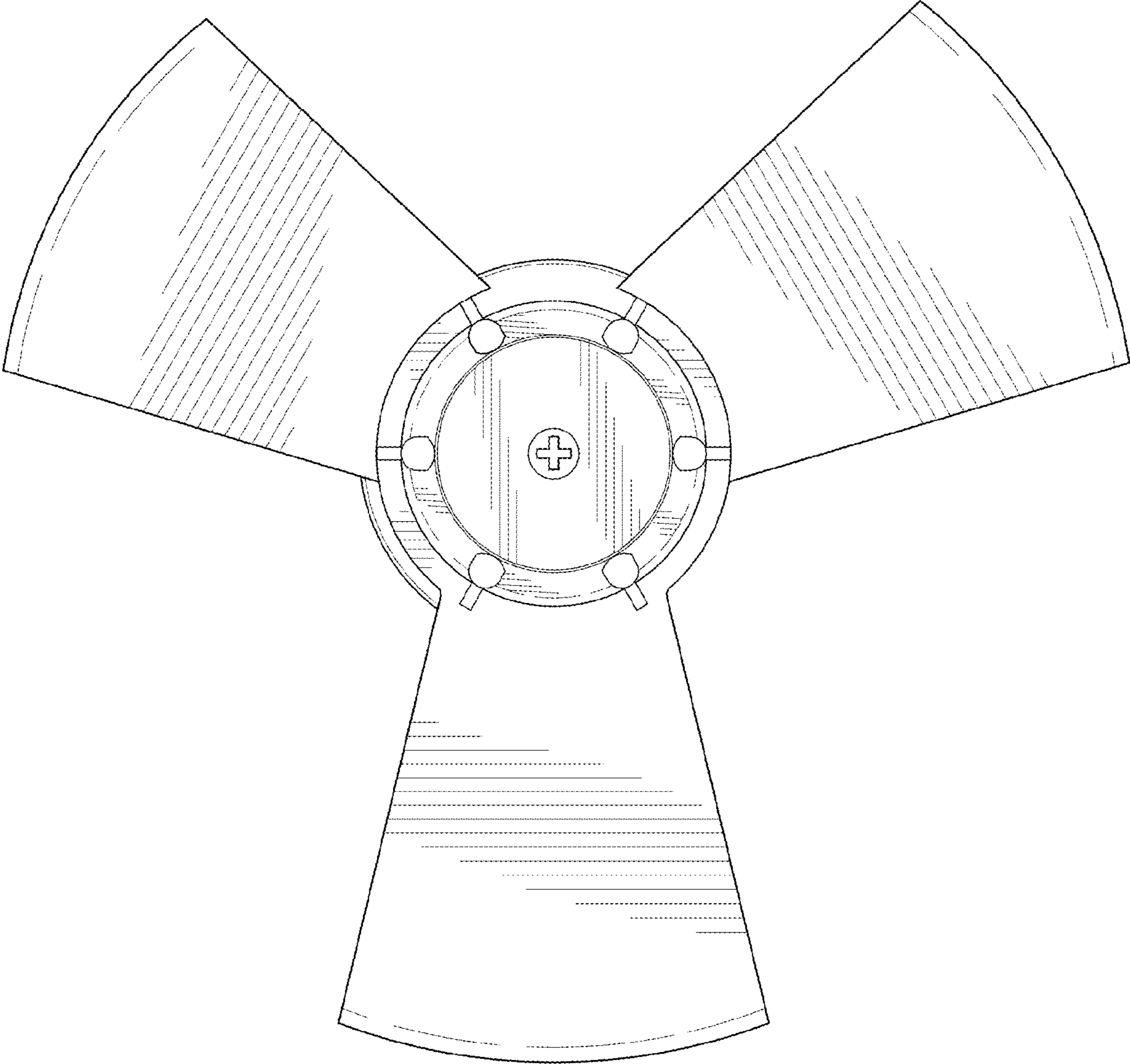


FIG. 3

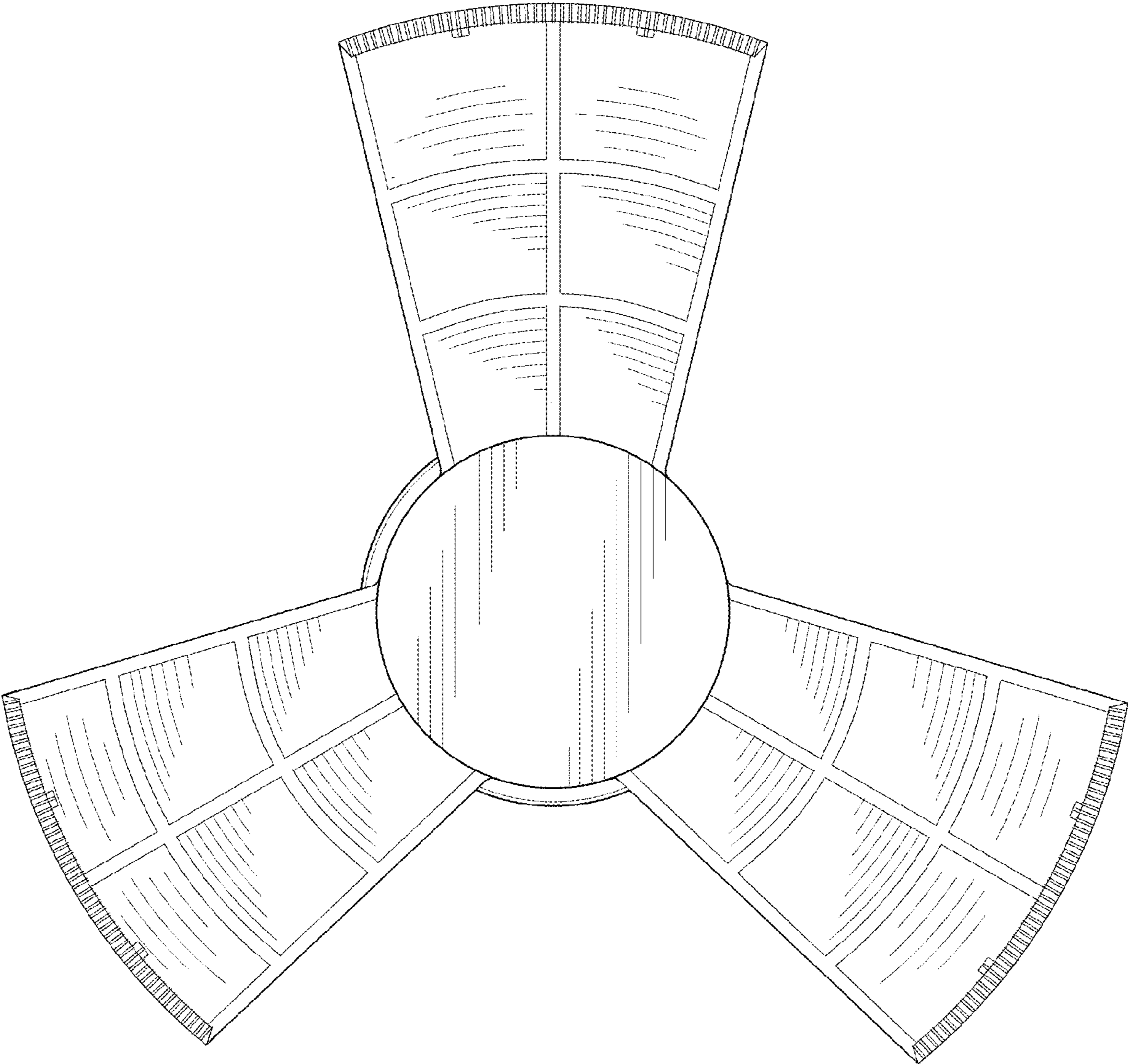


FIG. 4

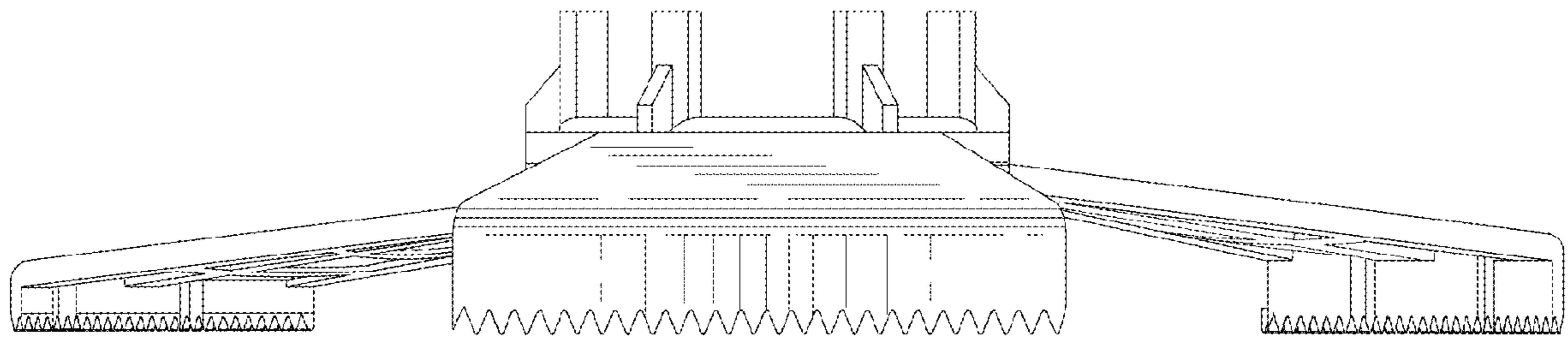


FIG. 5

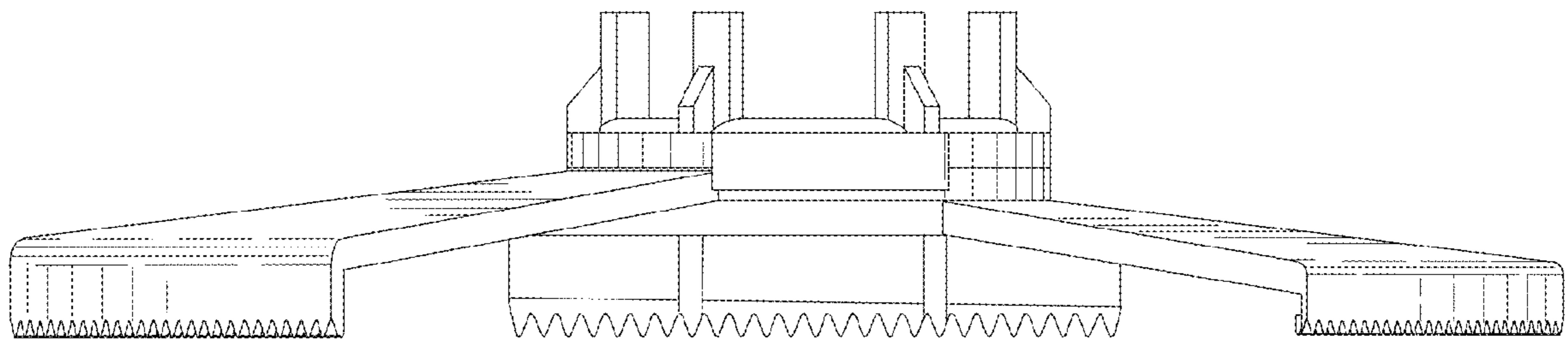


FIG. 6

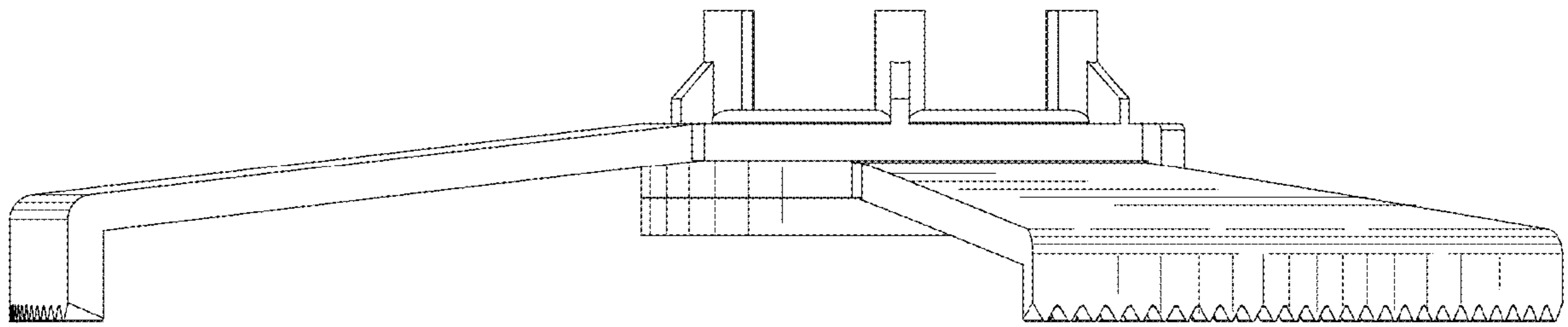


FIG. 7

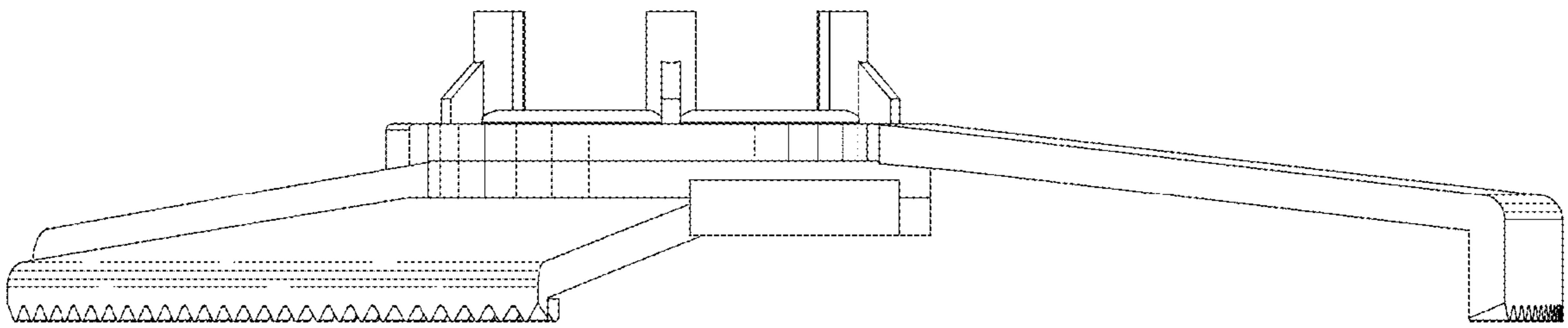


FIG. 8

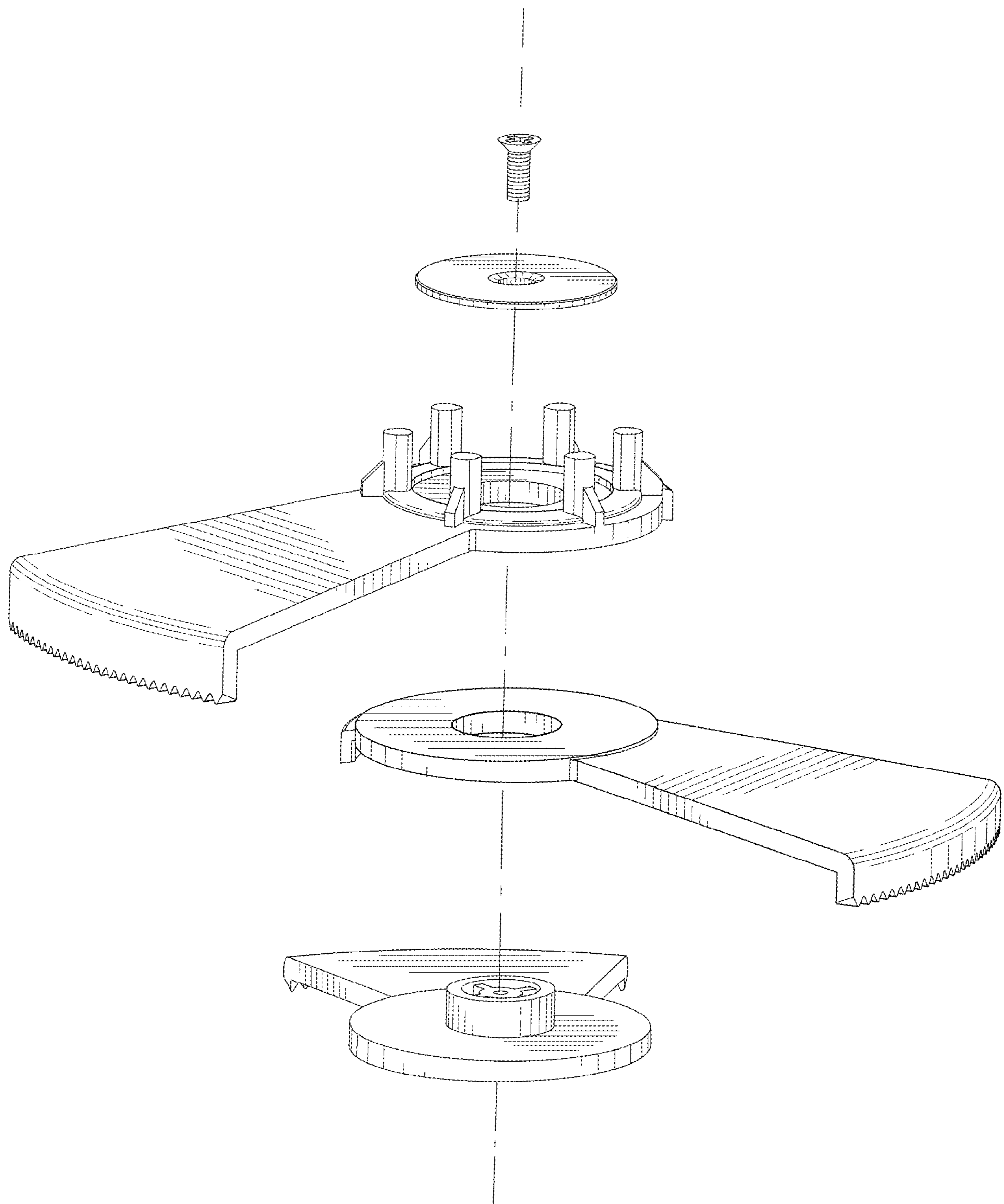


FIG. 9

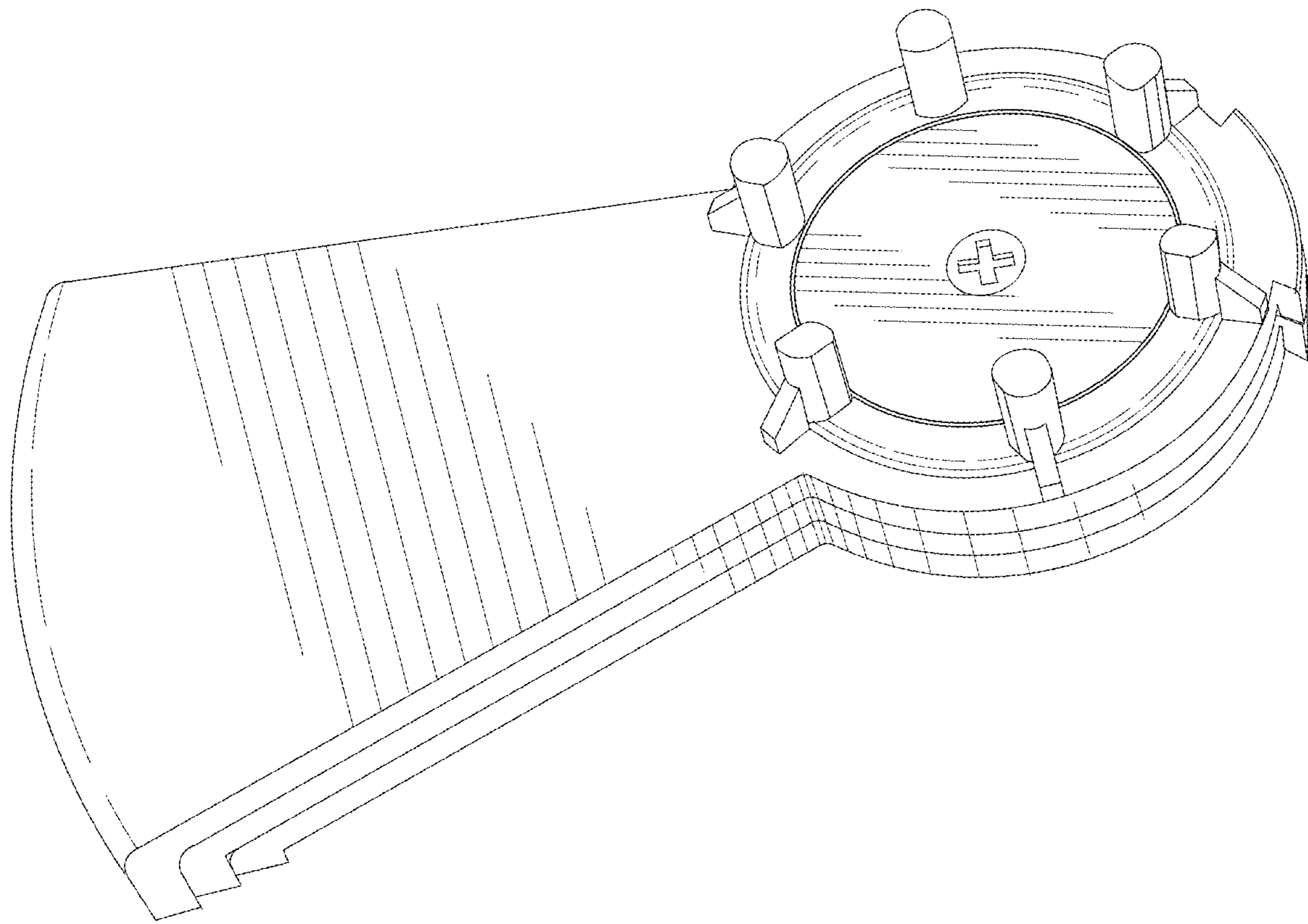


FIG. 10

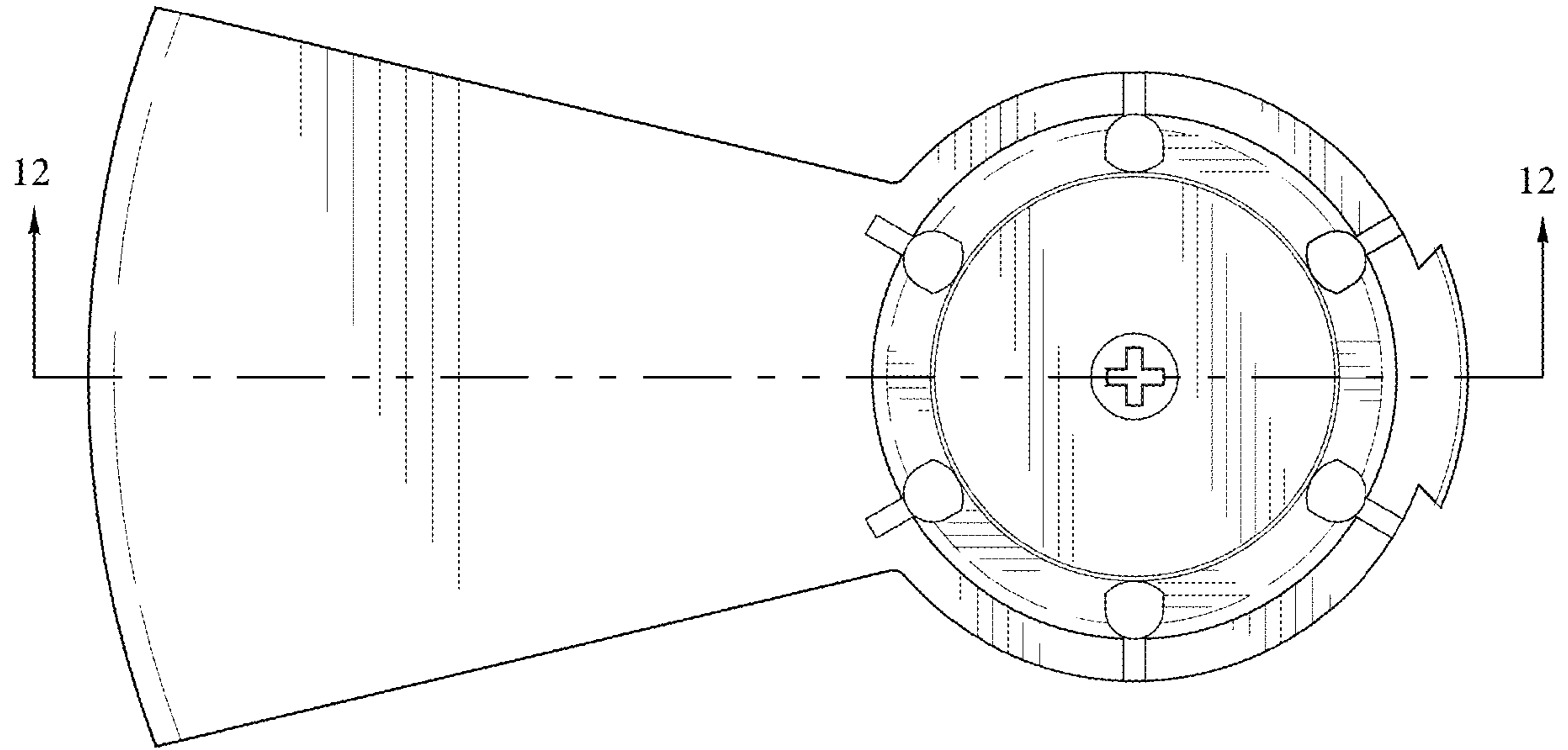


FIG. 11

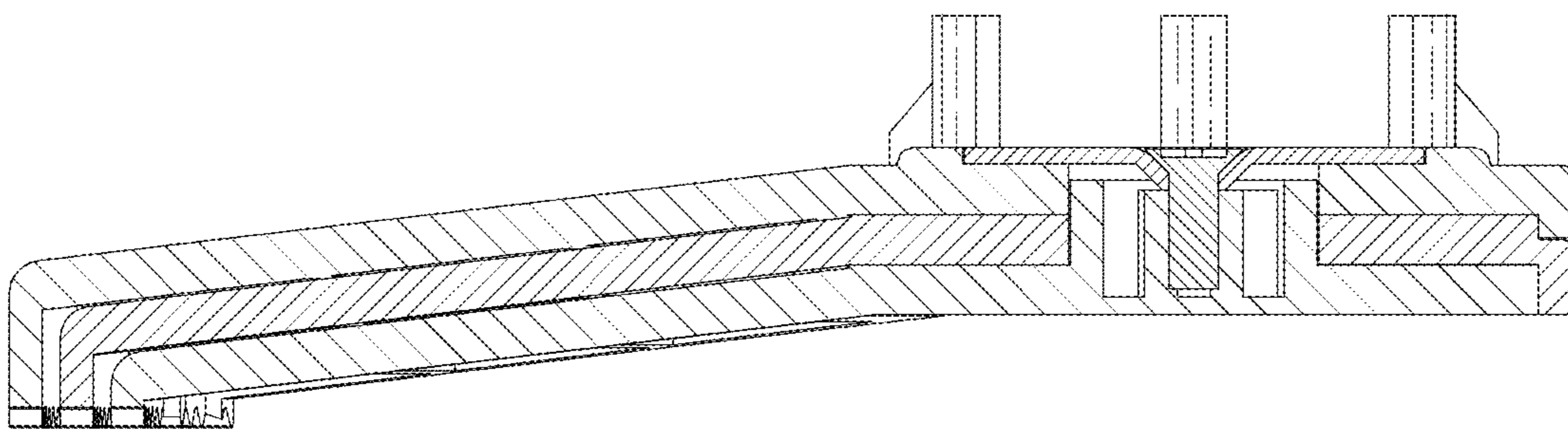


FIG. 12