



US00D956604S

(12) **United States Design Patent**  
**Lian**

(10) **Patent No.:** **US D956,604 S**

(45) **Date of Patent:** **\*\* Jul. 5, 2022**

(54) **DOORBELL**

D858,338 S \* 9/2019 Yu ..... D10/118.2  
D893,335 S \* 8/2020 Hsu ..... D10/118.2  
D897,878 S \* 10/2020 Lian ..... D10/118.2

(71) Applicant: **Shenzhen Yingrunjia Electronics Co., Ltd.**, Shenzhen (CN)

\* cited by examiner

(72) Inventor: **Xianhui Lian**, Wenling (CN)

*Primary Examiner* — Joseph Kukella

(\*\*) Term: **15 Years**

(21) Appl. No.: **29/721,119**

(22) Filed: **Jan. 17, 2020**

(30) **Foreign Application Priority Data**

Sep. 11, 2019 (CN) ..... 201930501479.0

(51) **LOC (13) Cl.** ..... **10-05**

(52) **U.S. Cl.**  
USPC ..... **D10/118.2**

(58) **Field of Classification Search**  
USPC ..... D10/106.6, 106.7, 106.8, 116.1, 118,  
D10/118.2, 121–124, 126; D13/171, 174;  
D14/358  
CPC ... G08B 3/00; G08B 3/10; G08B 7/00; G08B  
7/06; G08B 13/1436; G08B 13/1463;  
G08B 13/1481  
See application file for complete search history.

(56) **References Cited**

**U.S. PATENT DOCUMENTS**

D828,200 S \* 9/2018 Ahman ..... D10/118.2  
D842,156 S \* 3/2019 Hanna ..... D10/118.2  
D853,265 S \* 7/2019 Grearson ..... D10/118.2

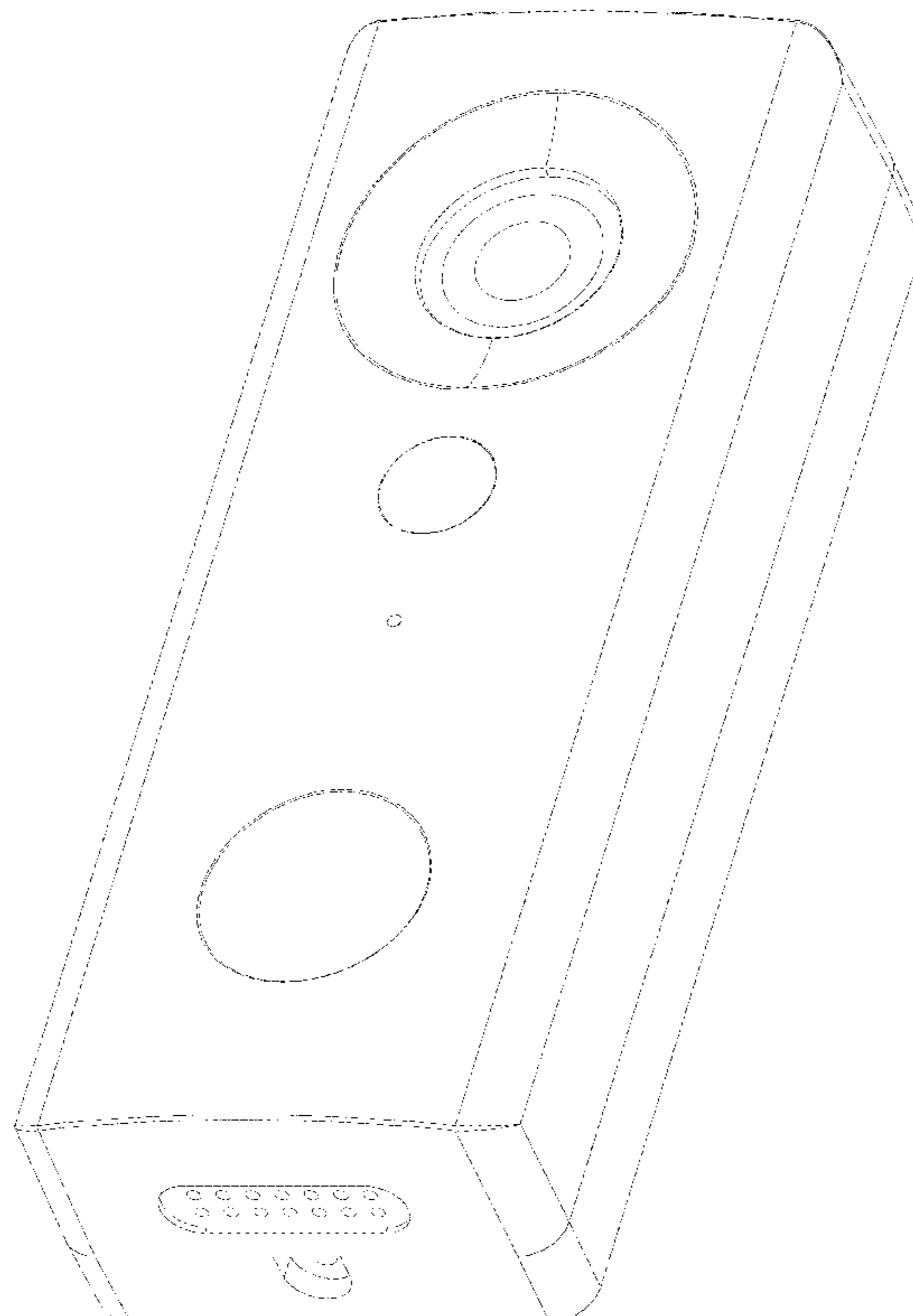
(57) **CLAIM**

The ornamental design for a doorbell, as shown and described.

**DESCRIPTION**

FIG. 1 is a front elevational view of a doorbell showing my new design;  
FIG. 2 is a rear elevational view thereof;  
FIG. 3 is a left side view thereof;  
FIG. 4 is a right side view thereof;  
FIG. 5 is a top plan view thereof;  
FIG. 6 is a bottom plan view thereof; and,  
FIG. 7 is a perspective view thereof.  
The broken lines depict portions of the doorbell that form no part of the claimed design.

**1 Claim, 6 Drawing Sheets**



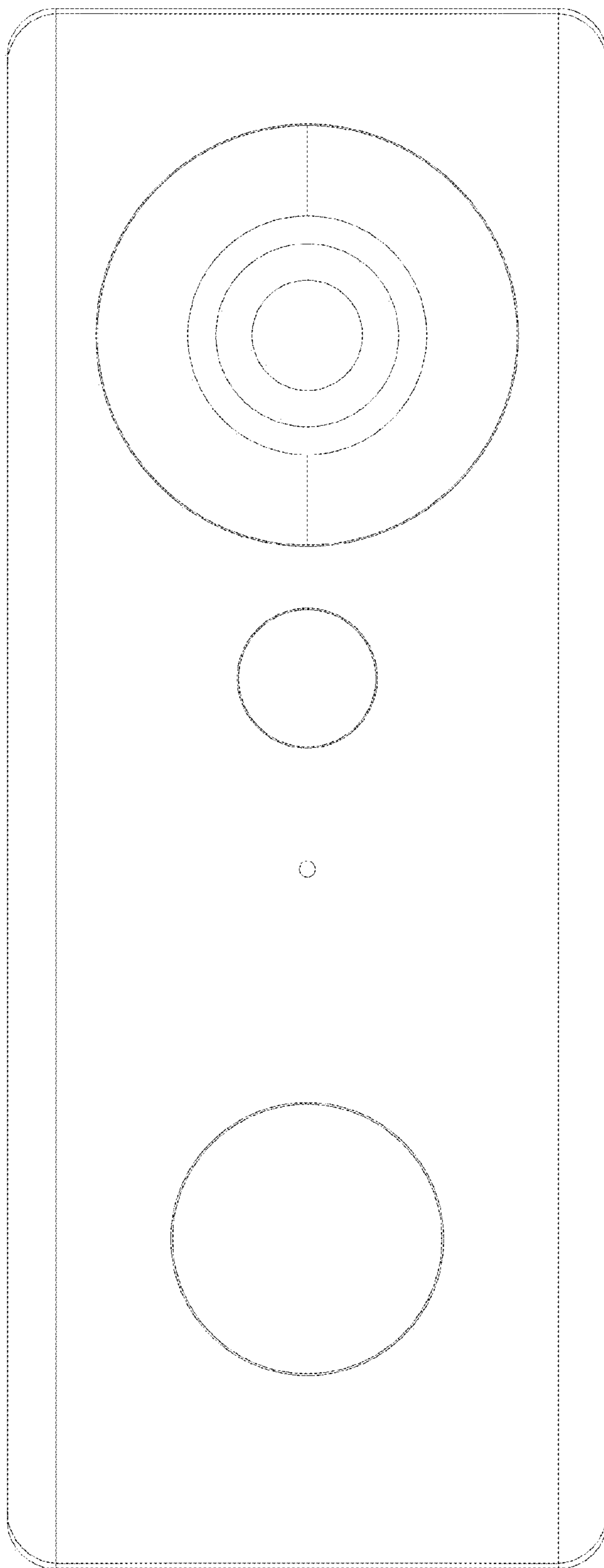


FIG. 1

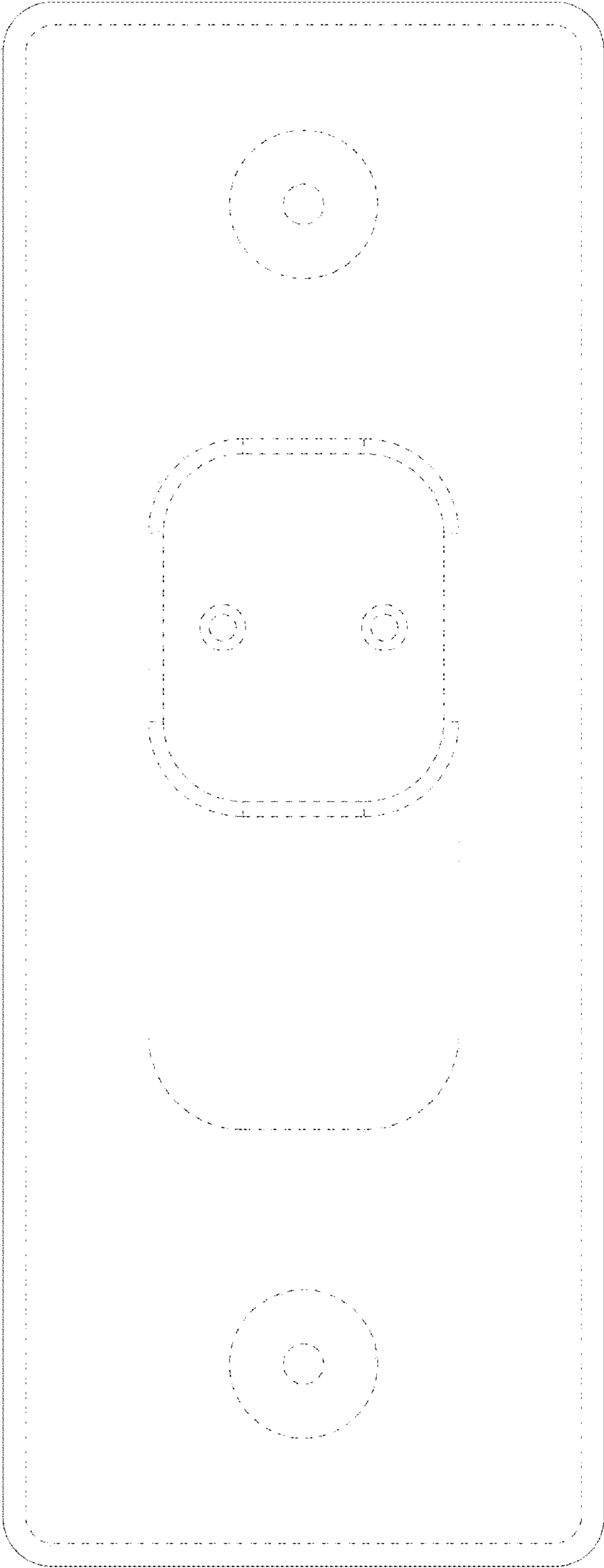


FIG. 2

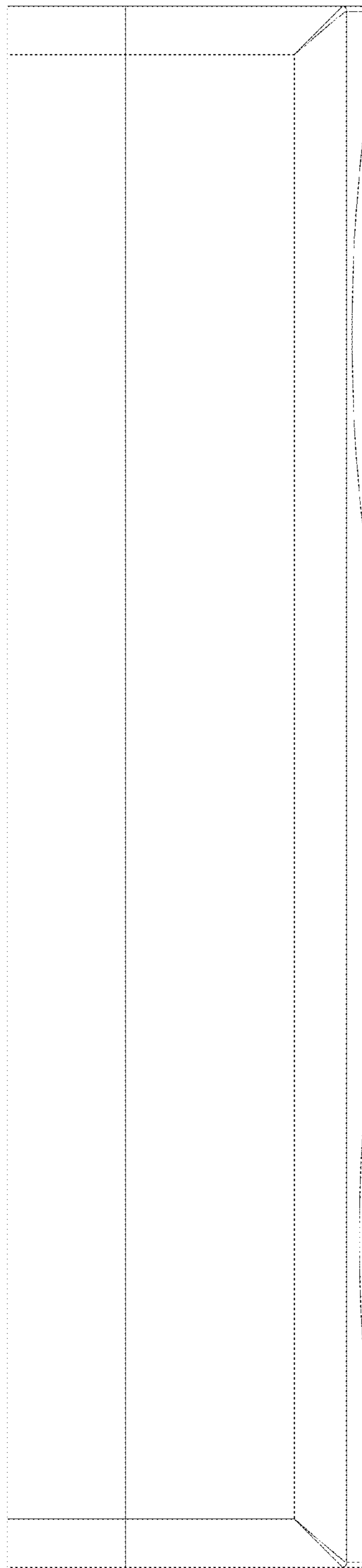


FIG. 3



FIG. 4



FIG. 5

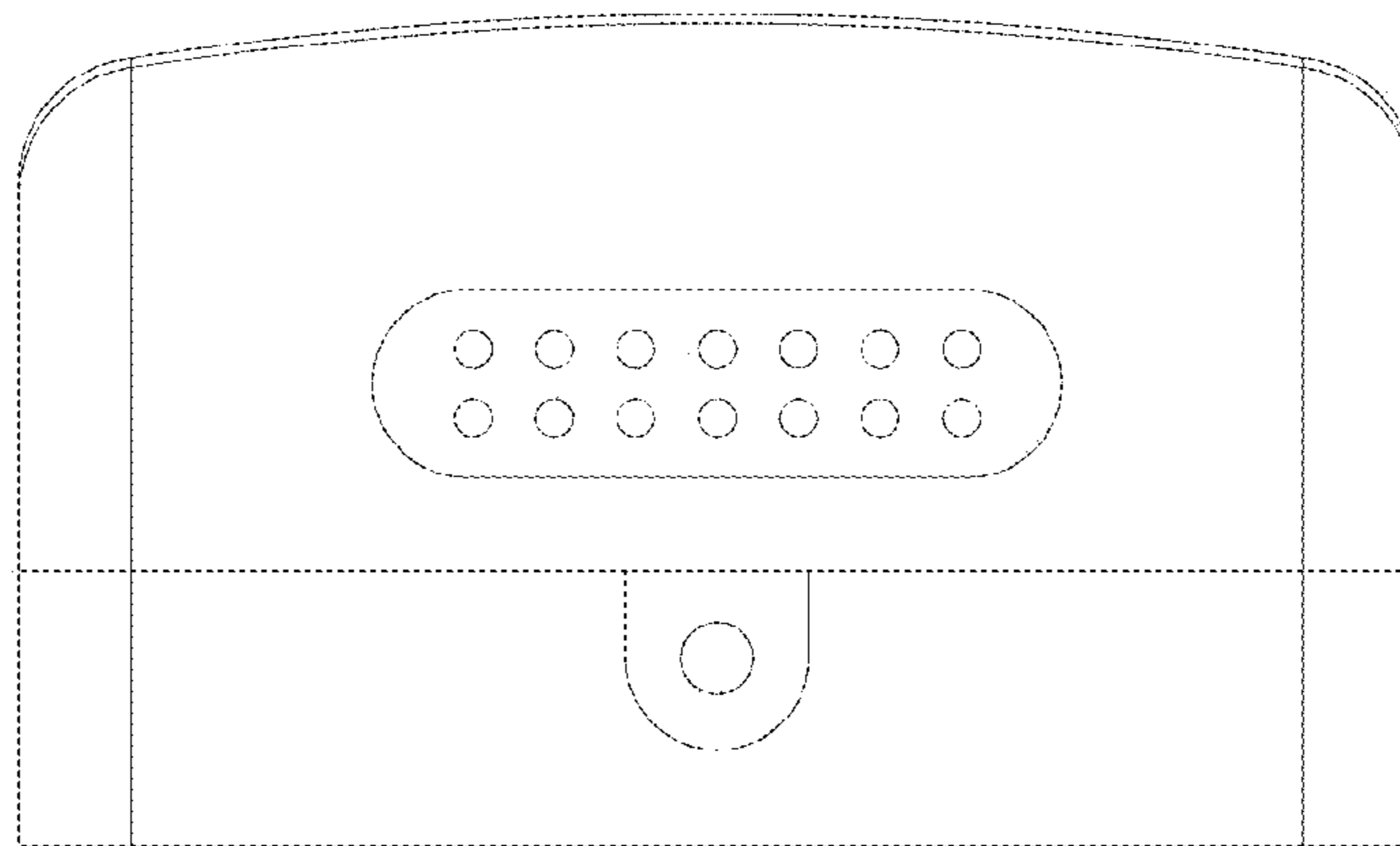


FIG. 6

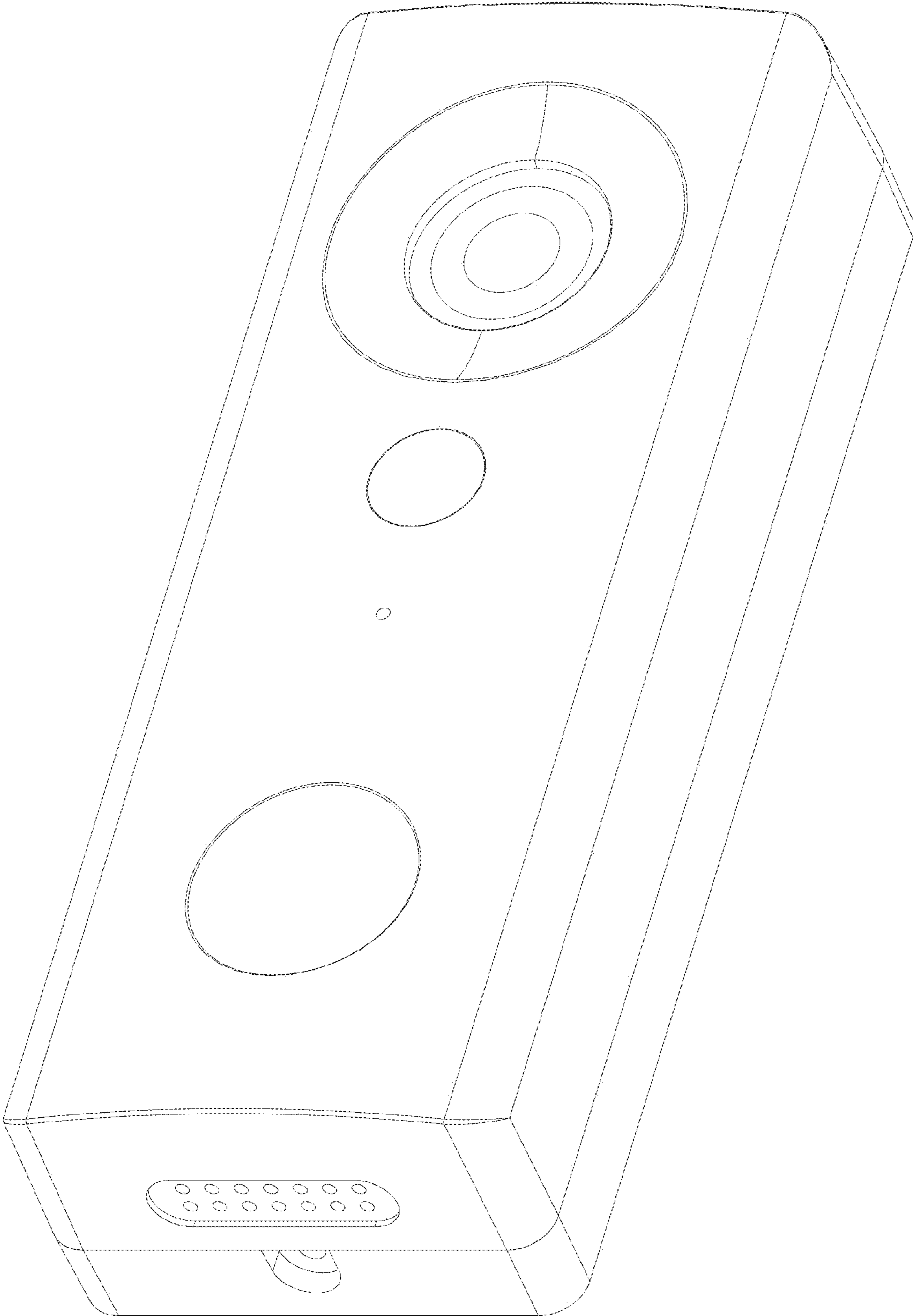


FIG. 7