



US00D956603S

(12) **United States Design Patent** (10) **Patent No.:** **US D956,603 S**
McManigal et al. (45) **Date of Patent:** **** Jul. 5, 2022**

(54) **SIREN**
(71) Applicant: **Arlo Technologies, Inc.**, Carlsbad, CA (US)
(72) Inventors: **Scott McManigal**, Newport Beach, CA (US); **Christopher Fonzo**, Carlsbad, CA (US); **Kent Crandall**, Carlsbad, CA (US); **James Hathaway**, Delta (CA); **Glen Oross**, San Diego, CA (US)

D852,077 S * 6/2019 Seaberry D10/118
D860,026 S * 9/2019 Siminoff D10/106.3
D874,436 S * 2/2020 Goltche D14/215
D891,962 S * 8/2020 Siminoff D10/106.5
D894,029 S * 8/2020 Aldape D10/116.1
D907,516 S * 1/2021 Siminoff D10/106.5
D914,662 S * 3/2021 Unter Ecker D14/240
D927,095 S * 8/2021 Lu D30/153
D941,174 S * 1/2022 Siminoff D10/106.2

(73) Assignee: **Arlo Technologies, Inc.**, Carlsbad, CA (US)

(**) Term: **15 Years**

(21) Appl. No.: **29/718,899**

(22) Filed: **Dec. 30, 2019**

(51) **LOC (13) Cl.** **10-06**

(52) **U.S. Cl.**
USPC **D10/116.1**

(58) **Field of Classification Search**
USPC D10/106.1–106.95, 116.1, 118, 118.2, D10/120; D14/356, 357, 358
CPC G10K 7/00; G10K 7/005; G10K 7/02; G10K 7/04; G10K 7/06; G10K 9/00; G10K 9/12; G10K 9/121; G10K 9/122; G10K 9/125; G10K 9/128; G10K 9/13
See application file for complete search history.

(56) **References Cited**

U.S. PATENT DOCUMENTS

D254,729 S * 4/1980 Mitumori D10/116.1
D824,791 S * 8/2018 Scalisi D10/118
D830,870 S * 10/2018 Shepher D10/116.1
D838,305 S * 1/2019 Chang D16/203

OTHER PUBLICATIONS

John Callaham, Arlo Security System announced . . . , Jan. 7, 2019, androidauthority.com. Retrieved from the internet on Feb. 21, 2022 <URL: https://www.androidauthority.com/arlo-security-system-ultra-4k-smart-cameras-940732/> (Year: 2019).*

* cited by examiner

Primary Examiner — Joseph Kukella

(74) *Attorney, Agent, or Firm* — Boyle Fredrickson S.C.

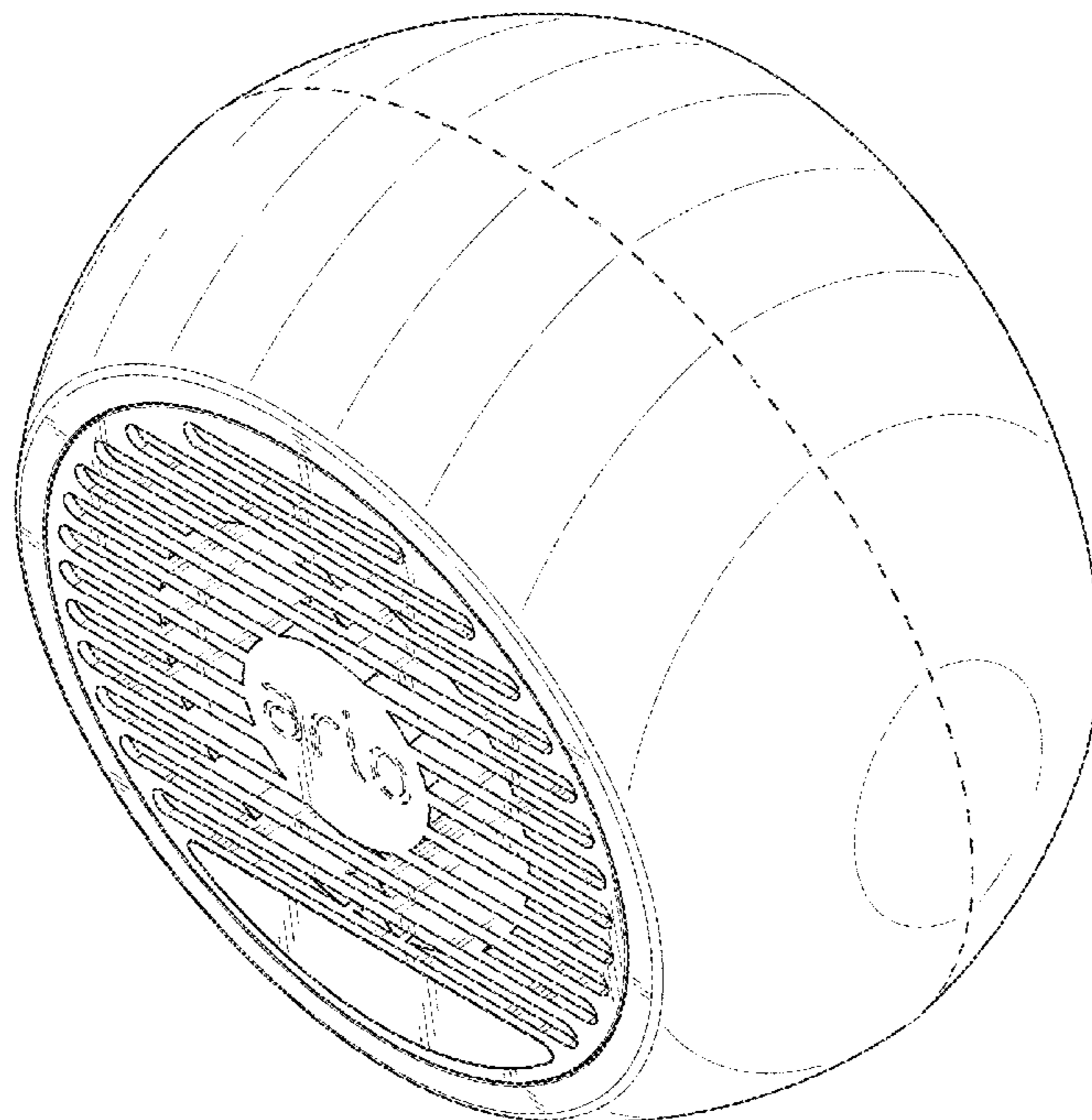
(57) **CLAIM**

The ornamental design for a siren, as shown and described.

DESCRIPTION

FIG. 1 is a top, front, right side perspective view of a siren showing our new design;
FIG. 2 is a front elevation view thereof;
FIG. 3 is a rear elevation view thereof;
FIG. 4 is a right-side elevation view thereof;
FIG. 5 is a left-side elevation view thereof;
FIG. 6 is a top plan view thereof; and,
FIG. 7 is a bottom plan view thereof.
In the drawings the broken lines depict portions of the siren that form no part of the claimed design.

1 Claim, 7 Drawing Sheets



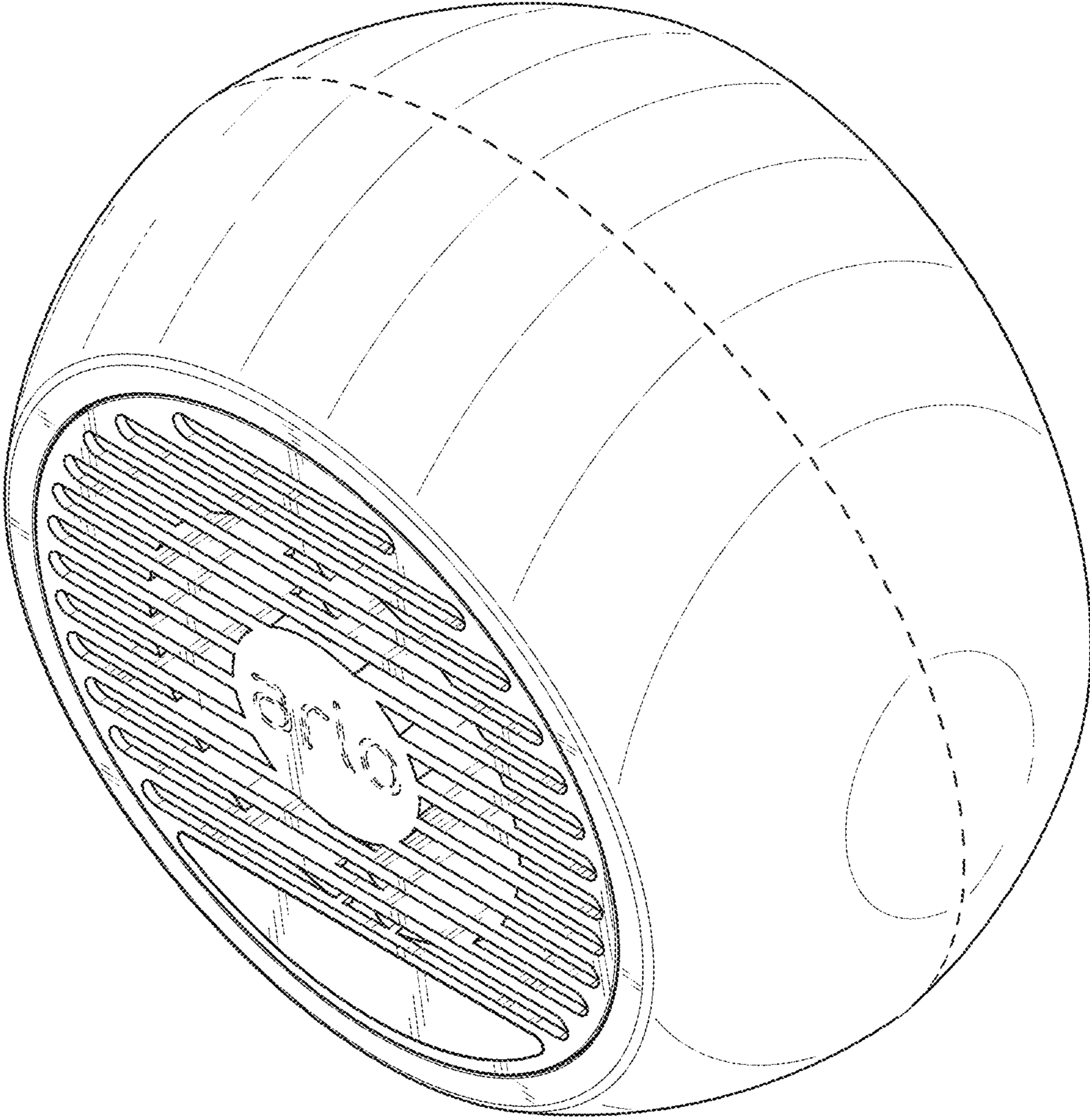


FIG. 1

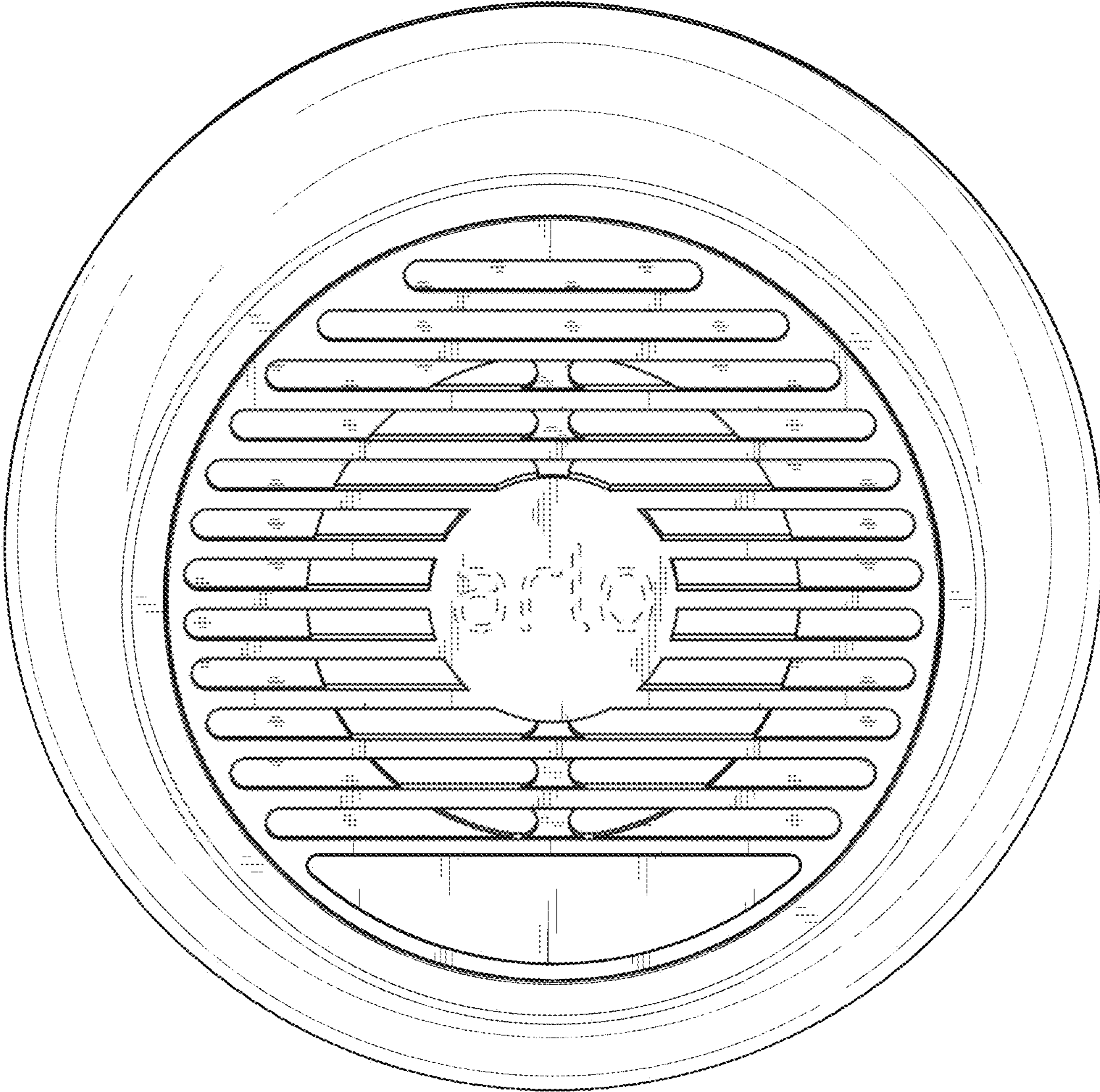


FIG. 2

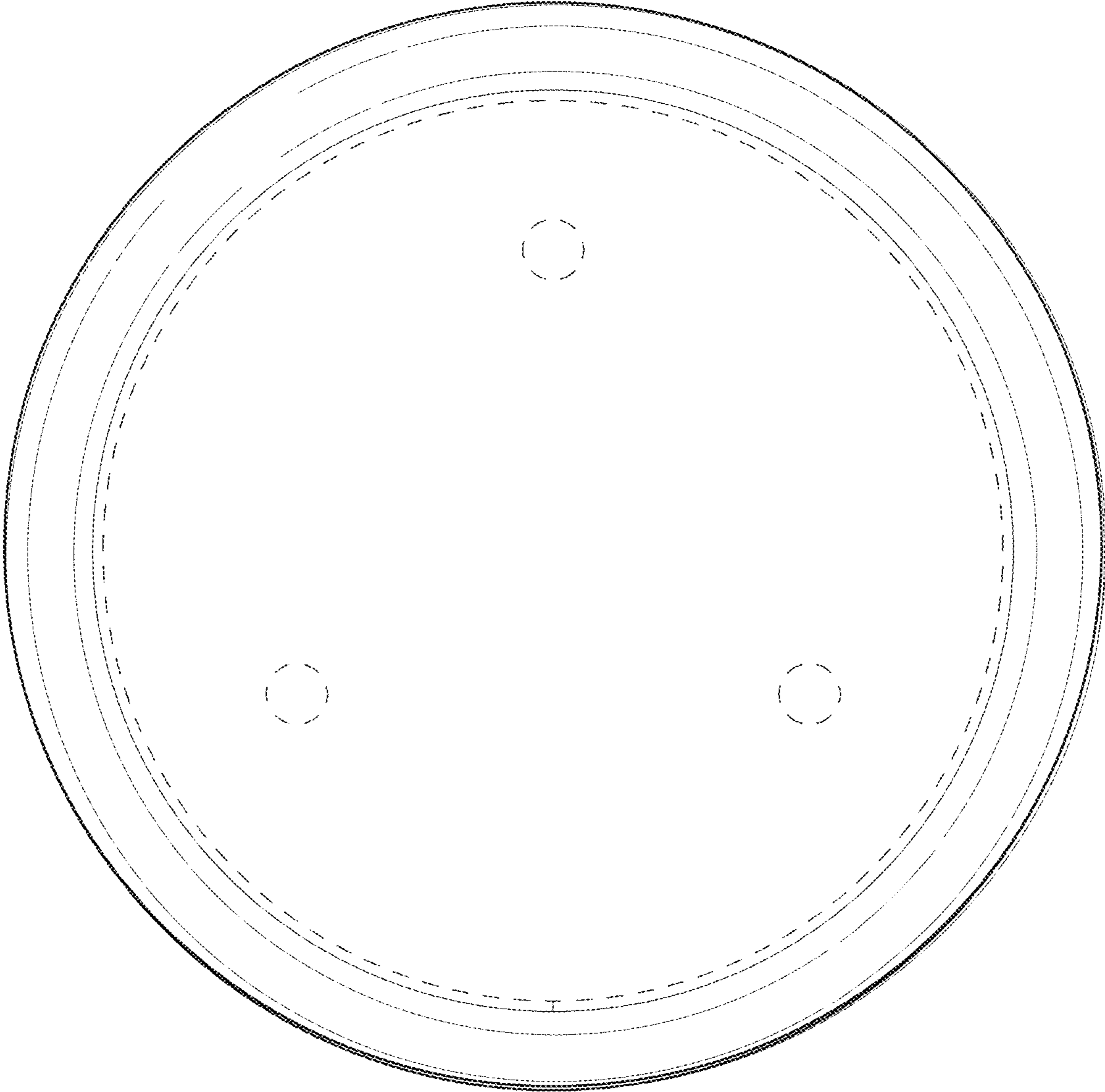


FIG. 3

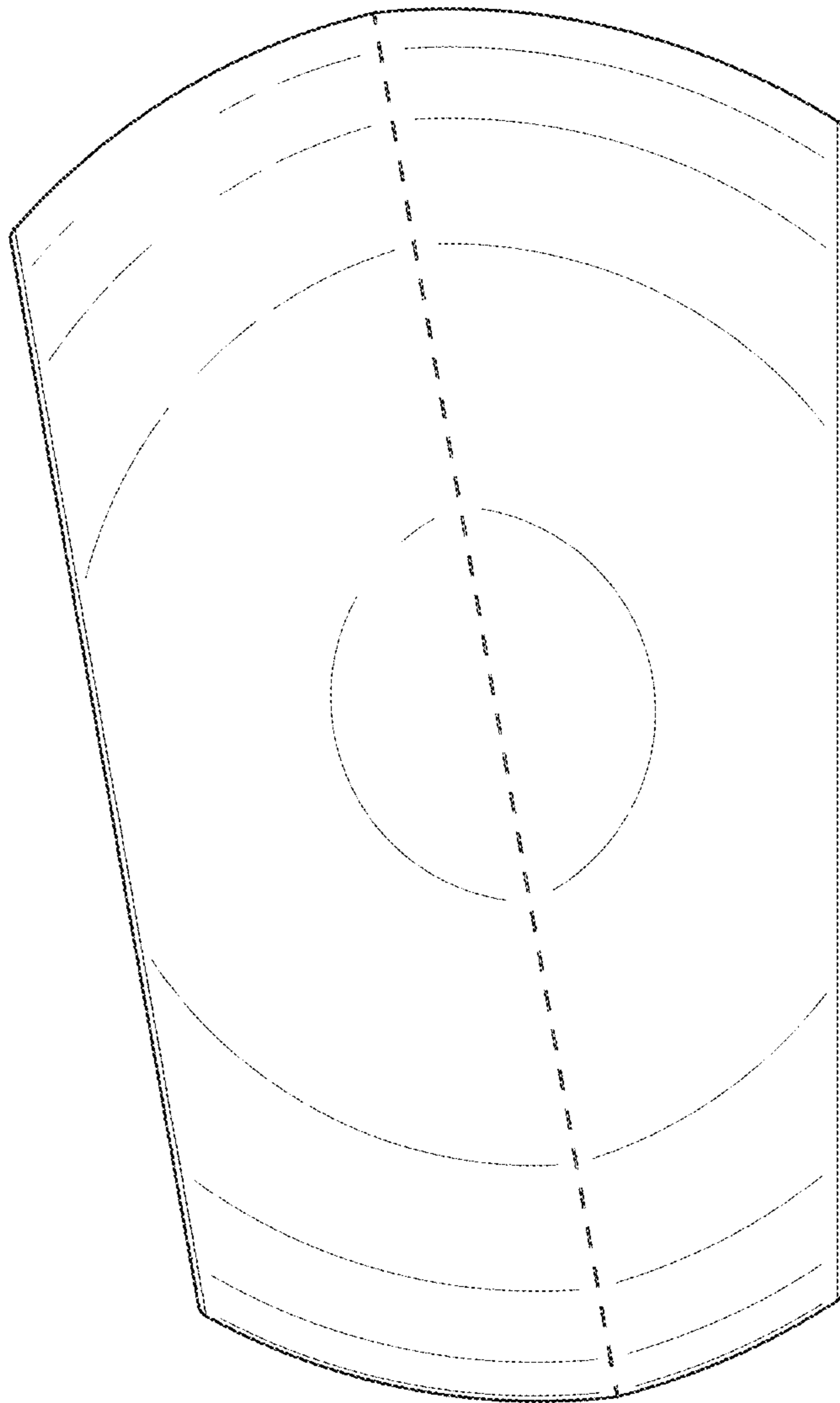


FIG. 4

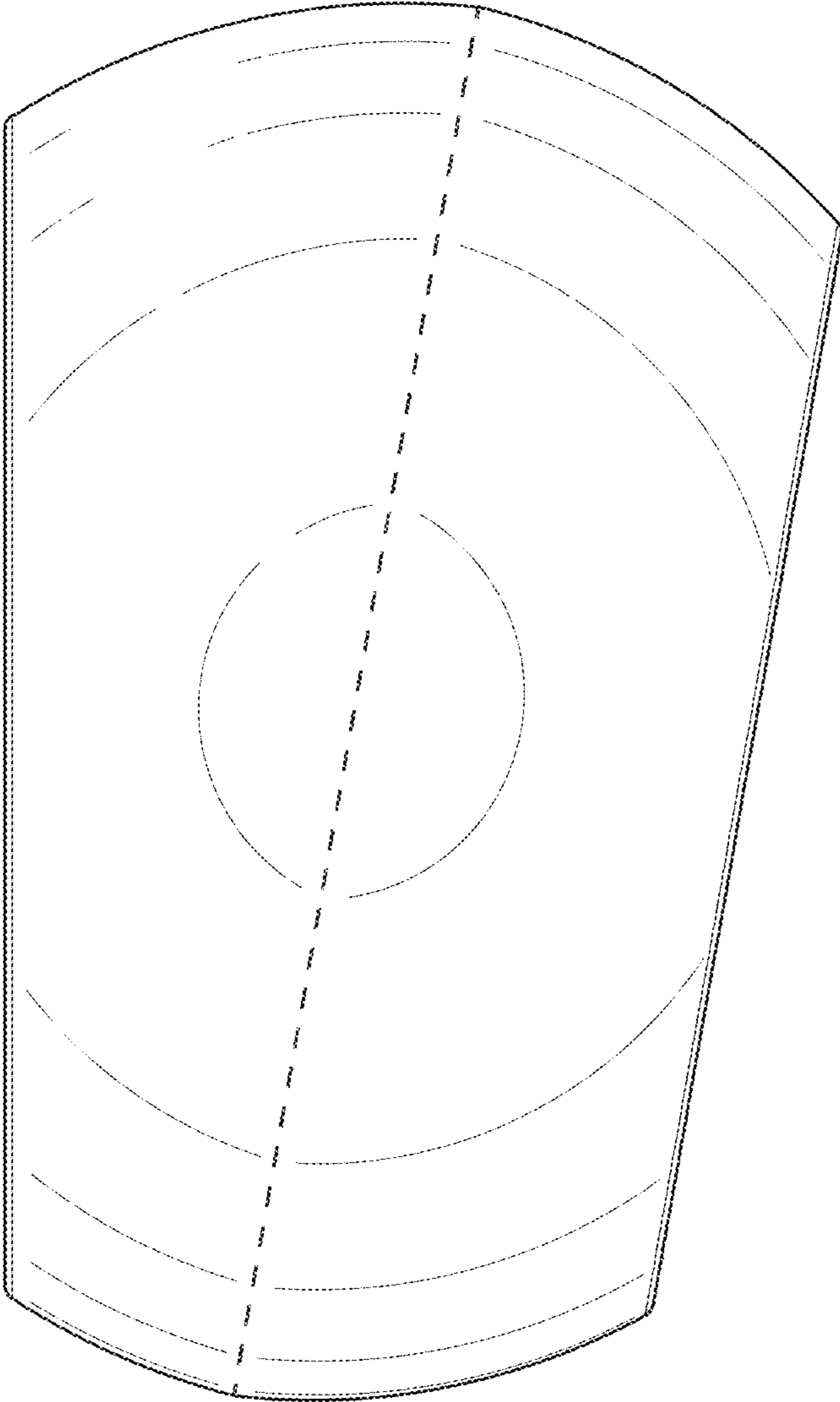


FIG. 5

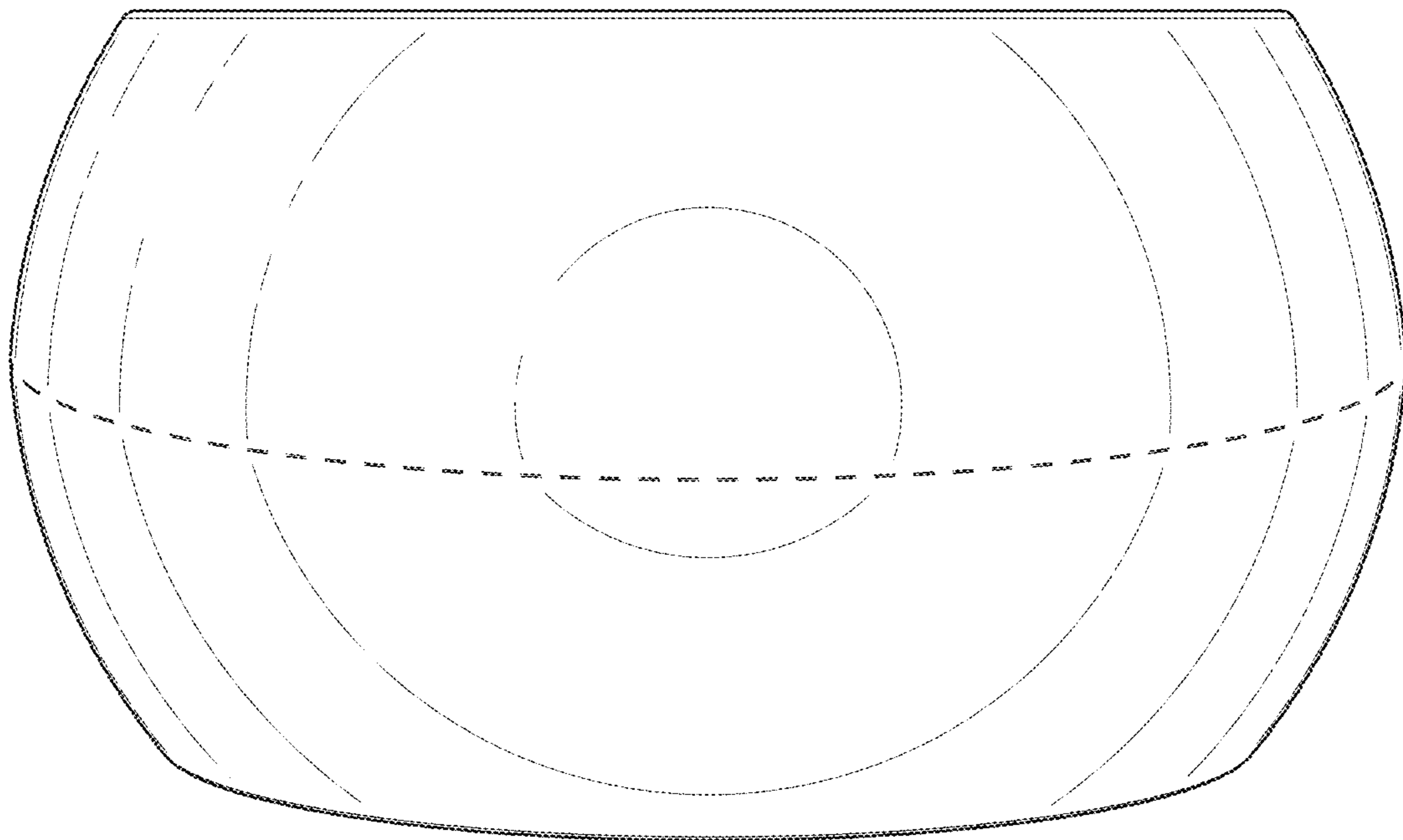


FIG. 6

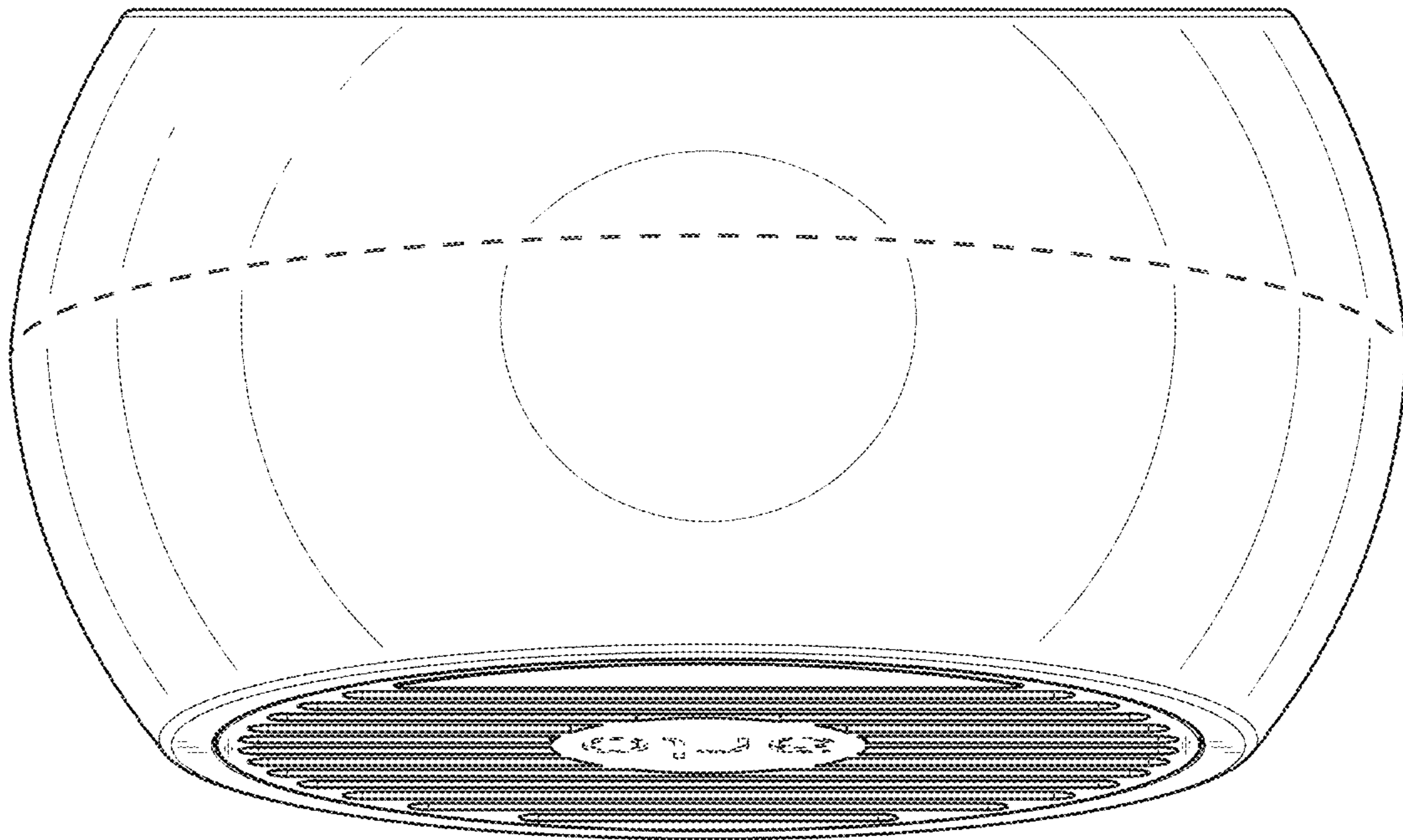


FIG. 7