



US00D956602S

(12) **United States Design Patent**
Covelli

(10) **Patent No.:** **US D956,602 S**

(45) **Date of Patent:** **** Jul. 5, 2022**

(54) **VISUAL DISTRESS SIGNAL DEVICE**

(71) Applicant: **Sirius Signal, LLC**, Encinitas, CA (US)

(72) Inventor: **Anthony Covelli**, La Costa, CA (US)

(73) Assignee: **SIRIUS SIGNAL, LLC**

(**) Term: **15 Years**

(21) Appl. No.: **29/727,319**

(22) Filed: **Mar. 10, 2020**

(51) **LOC (13) Cl.** **10-05**

(52) **U.S. Cl.**

USPC **D10/114.9; D10/114.2**

(58) **Field of Classification Search**

USPC D10/114.2, 114.9, 104.1, 107,
D10/109.1-109.2, 111, 114.1, 114.6,
D10/114.8; D26/49

CPC B63B 51/04; B63B 2201/08; G01S 19/17;
G01S 5/0231; G08B 5/36; G08B 5/002;
B63C 9/20

See application file for complete search history.

(56) **References Cited**

U.S. PATENT DOCUMENTS

1,669,055	A	5/1928	Hogg	
2,366,929	A *	1/1945	Pfeil B63B 51/04 441/16
2,492,837	A	12/1949	Briggs	
2,765,481	A	10/1956	Manhart	
3,778,803	A	12/1973	Jahn	
3,818,208	A	6/1974	Kahl	
4,077,076	A	3/1978	Masters	
4,099,282	A	7/1978	Townsend	
D267,787	S *	2/1983	Braun D10/114.1
4,464,129	A	8/1984	Vancheri	
4,560,356	A	12/1985	Burr	
4,628,420	A	12/1986	McArthur	
4,896,620	A	1/1990	Jones	

5,034,847	A	7/1991	Brain	
D318,817	S	8/1991	Sinrod	
D320,950	S	10/1991	Bressler	
D336,689	S *	6/1993	Hung D10/114.1
5,280,270	A	1/1994	Correa et al.	
D360,156	S *	7/1995	Fenne D10/114.2
D374,408	S *	10/1996	McMillan D10/109.1
5,594,433	A	1/1997	Terlep	
D384,589	S *	10/1997	Loach D10/114.2
D443,841	S *	6/2001	Waldner D10/104.1
D448,694	S *	10/2001	Bush D10/104.1
D451,044	S	11/2001	Campman	
6,549,121	B2	4/2003	Povey et al.	
6,598,998	B2	7/2003	West et al.	

(Continued)

FOREIGN PATENT DOCUMENTS

WO	WO 2008048899	4/2008
WO	WO 2013024359	2/2013

Primary Examiner — George D. Kirschbaum

Assistant Examiner — Lillian Windham

(74) *Attorney, Agent, or Firm* — The Belles Group, P.C.

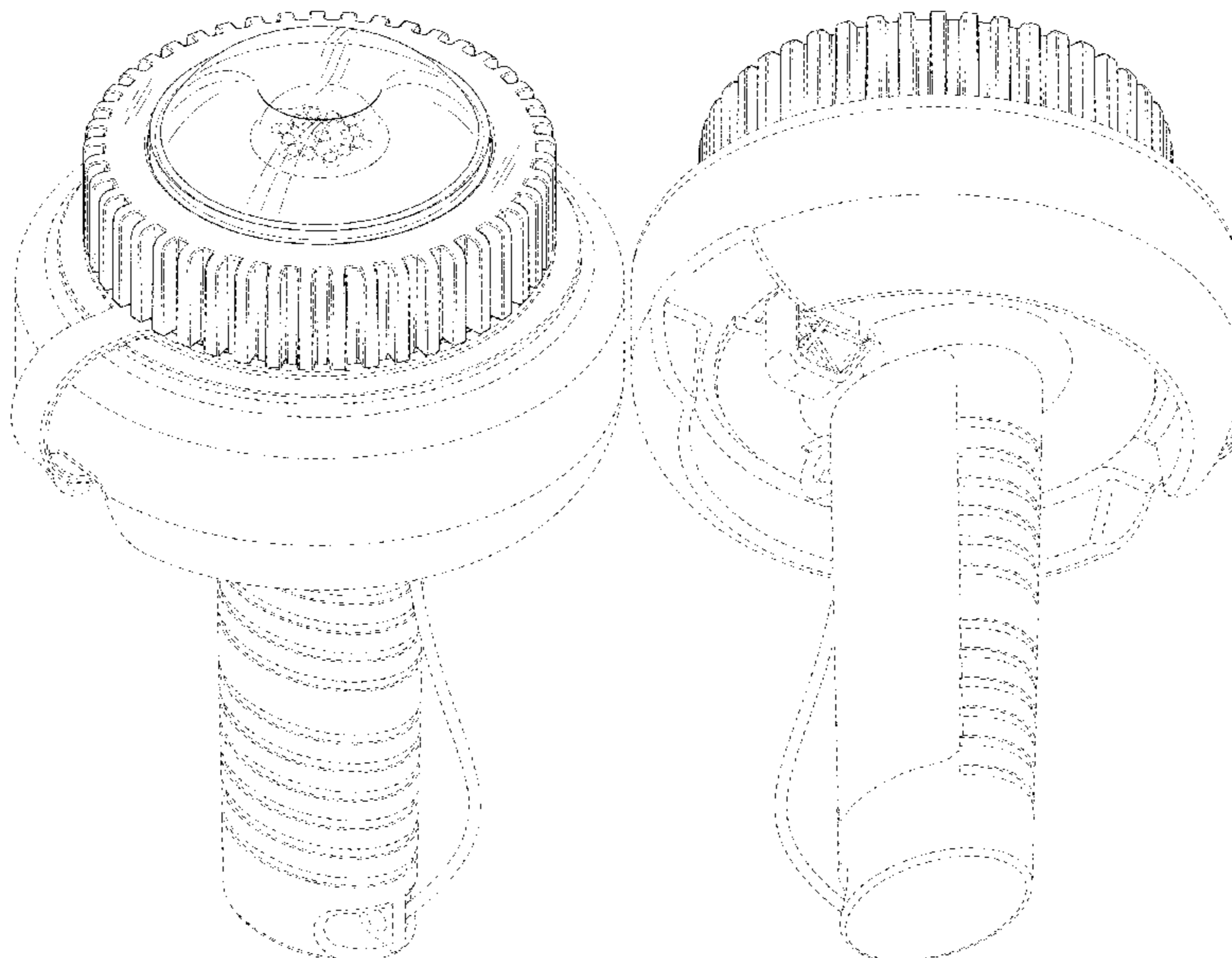
(57) **CLAIM**

The ornamental design for a visual distress signal device, as shown and described.

DESCRIPTION

FIG. 1 is a front perspective view of a visual distress signal device showing my new design;
FIG. 2 is a rear perspective view thereof;
FIG. 3 is a front view thereof;
FIG. 4 is a rear view thereof;
FIG. 5 is a right side view thereof;
FIG. 6 is a left side view thereof;
FIG. 7 is a top view thereof; and,
FIG. 8 is a bottom view thereof.
The broken lines illustrate portions of the visual distress signal device that form no part of the claimed design.

1 Claim, 8 Drawing Sheets



(56)

References Cited

U.S. PATENT DOCUMENTS

6,607,286 B2 8/2003 West et al.
 6,679,621 B2 1/2004 West et al.
 6,712,560 B1 3/2004 Cottrell
 6,805,467 B2 10/2004 Wolf
 D515,957 S * 2/2006 Dueker D10/109.1
 D515,958 S * 2/2006 Dueker D10/109.1
 7,153,002 B2 12/2006 Kim
 7,182,479 B1 2/2007 Flood et al.
 7,287,929 B1 10/2007 Sokolowski et al.
 D560,533 S * 1/2008 Dueker D10/109.1
 7,320,631 B1 1/2008 Distefano et al.
 7,393,254 B1 7/2008 Young et al.
 D608,232 S 1/2010 Duran Neira
 7,699,018 B2 4/2010 Wells
 7,703,950 B2 4/2010 Ewert et al.
 7,859,425 B2 12/2010 Glasa
 8,072,345 B2 12/2011 Gallo
 D673,869 S * 1/2013 Yu D10/114.2
 8,702,256 B2 4/2014 Alkjaer
 D720,247 S * 12/2014 Covelli D10/114.2
 8,917,187 B2 12/2014 Matte
 D737,712 S * 9/2015 Dack D10/114.2
 D740,149 S * 10/2015 Talamo D10/114.9
 9,171,436 B1 * 10/2015 Covelli G08B 5/36
 D757,588 S * 5/2016 Stuffle D10/114.1
 D777,594 S * 1/2017 Dack D10/114.2

D784,175 S * 4/2017 Covelli D10/107
 9,682,754 B2 6/2017 Covelli et al.
 D796,366 S * 9/2017 Talamo D10/114.9
 D811,920 S * 3/2018 Covelli D10/114.1
 D826,762 S 8/2018 Smith
 10,227,114 B1 3/2019 Covelli et al.
 D844,477 S * 4/2019 Covelli D10/114.1
 D845,809 S 4/2019 Knapp
 D865,559 S * 11/2019 Olsen D10/114.2
 D867,321 S * 11/2019 Zimmerman, III D14/140.6
 D879,637 S * 3/2020 Solow D10/114.2
 D880,328 S * 4/2020 Covelli D10/114.1
 2003/0132852 A1 7/2003 Povey et al.
 2004/0012962 A1 1/2004 Wolf
 2005/0225971 A1 10/2005 Melnik
 2005/0237740 A1 10/2005 Watanabe et al.
 2006/0232962 A1 10/2006 Altman
 2007/0241887 A1 10/2007 Bertagna et al.
 2008/0247161 A1 10/2008 Hulsey et al.
 2010/0026571 A1 2/2010 Batty
 2011/0075409 A1 3/2011 Zheng
 2011/0089696 A1 4/2011 Davis
 2011/0122609 A1 5/2011 Dahlin
 2012/0255893 A1 10/2012 Le Clair
 2013/0107507 A1 5/2013 Tucker et al.
 2016/0159446 A1 * 6/2016 Covelli G08B 5/36
 340/984
 2016/0272287 A1 * 9/2016 Covelli B63B 45/04

* cited by examiner

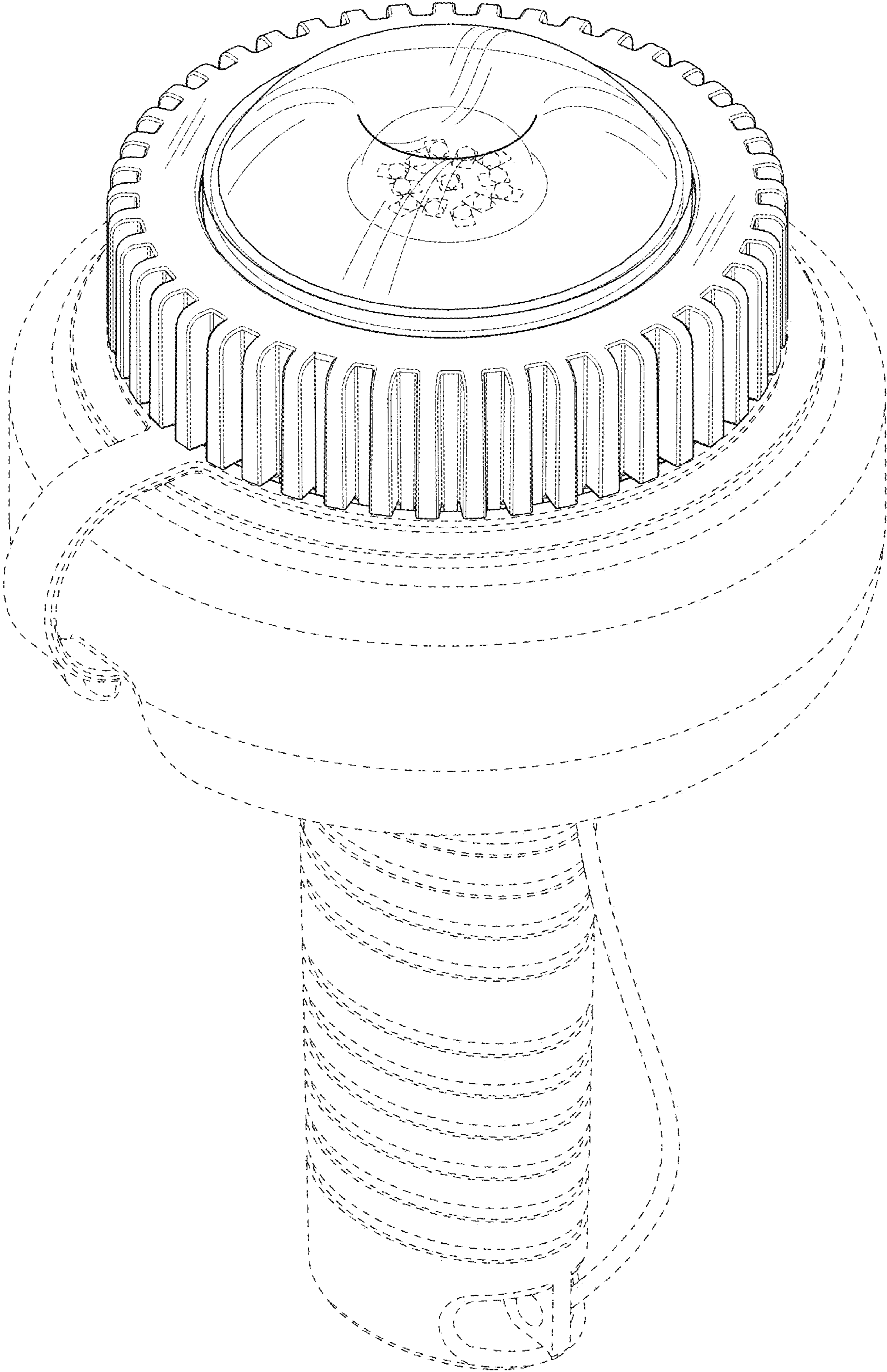


FIG. 1

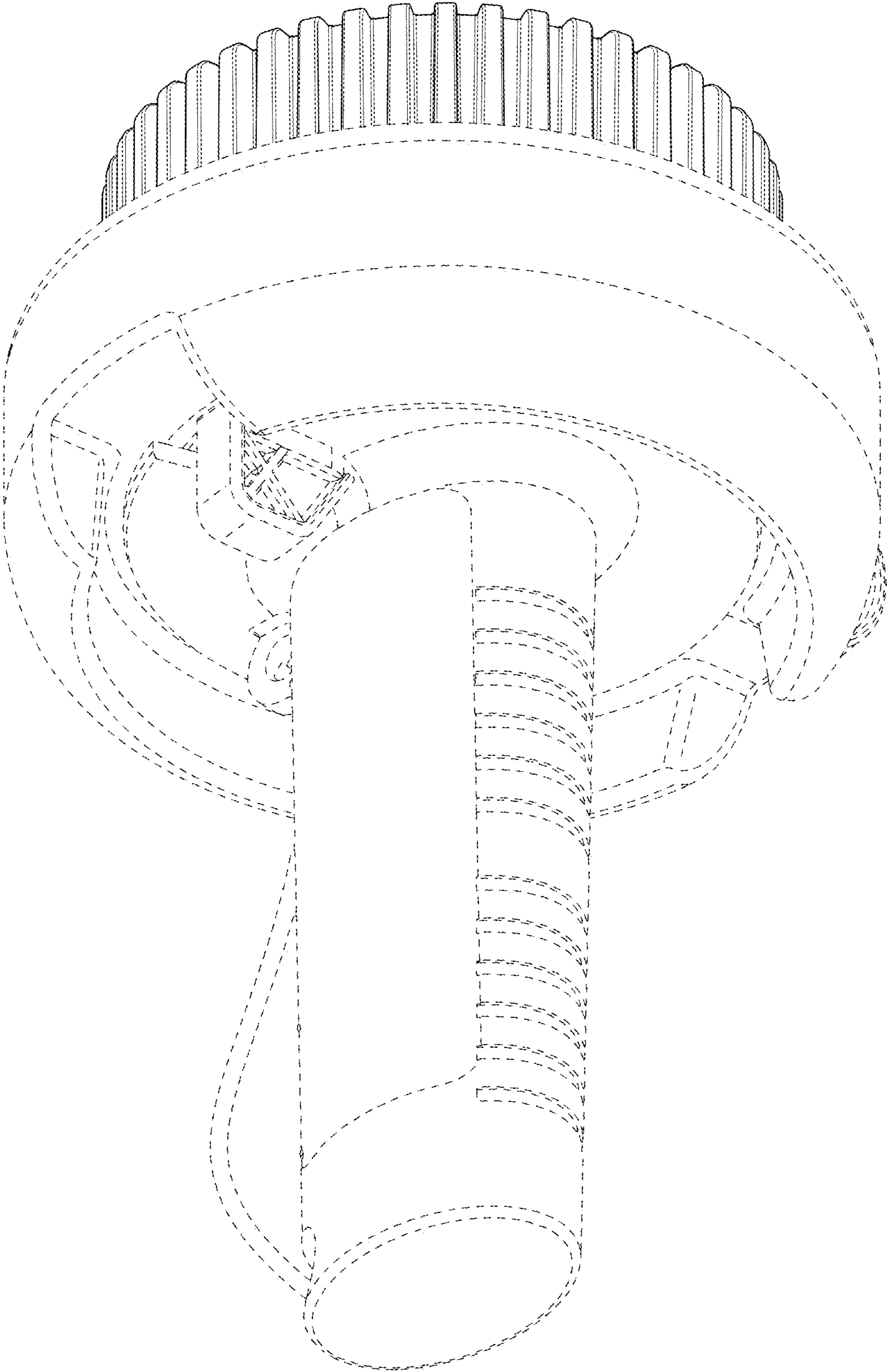


FIG. 2

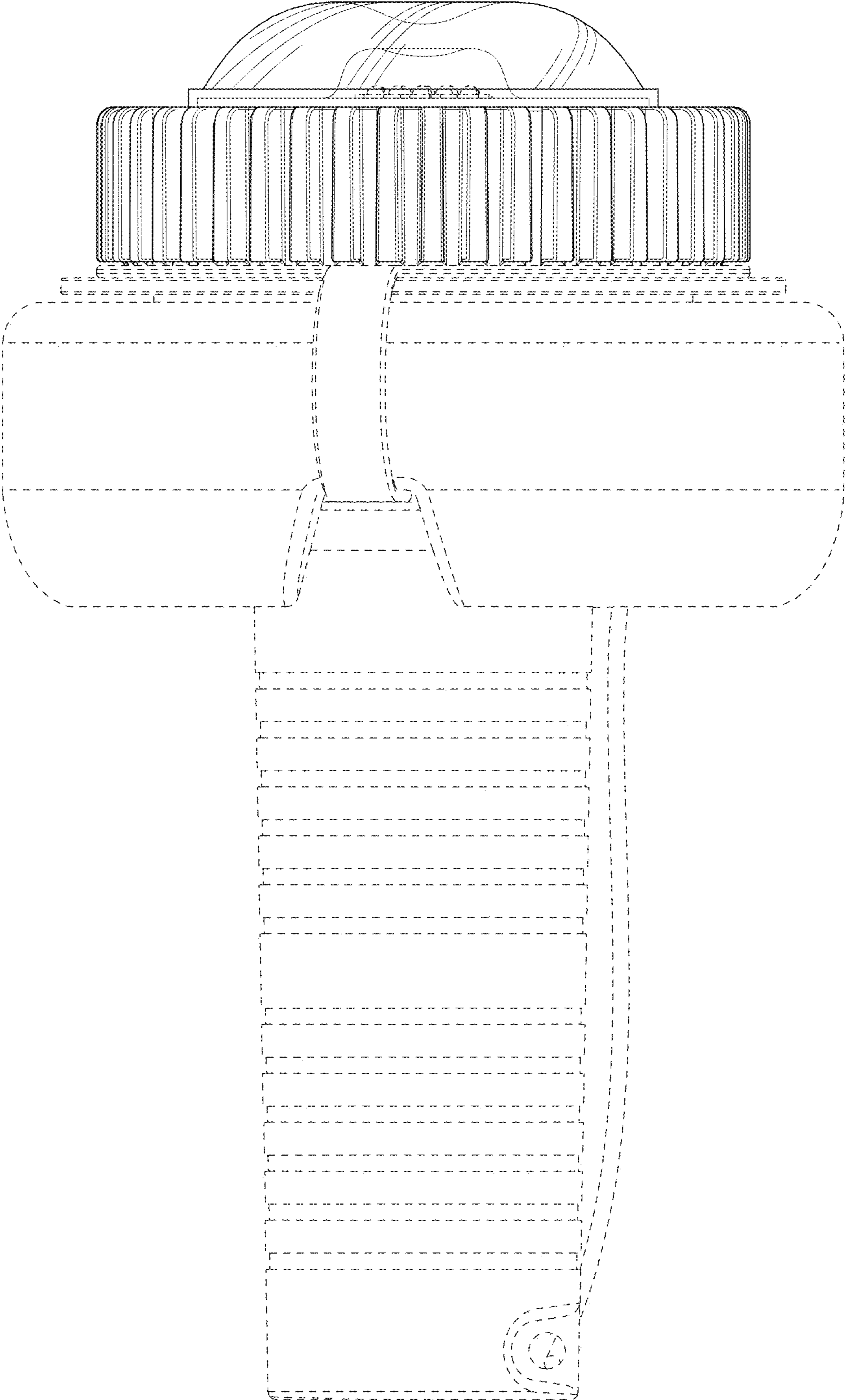


FIG. 3

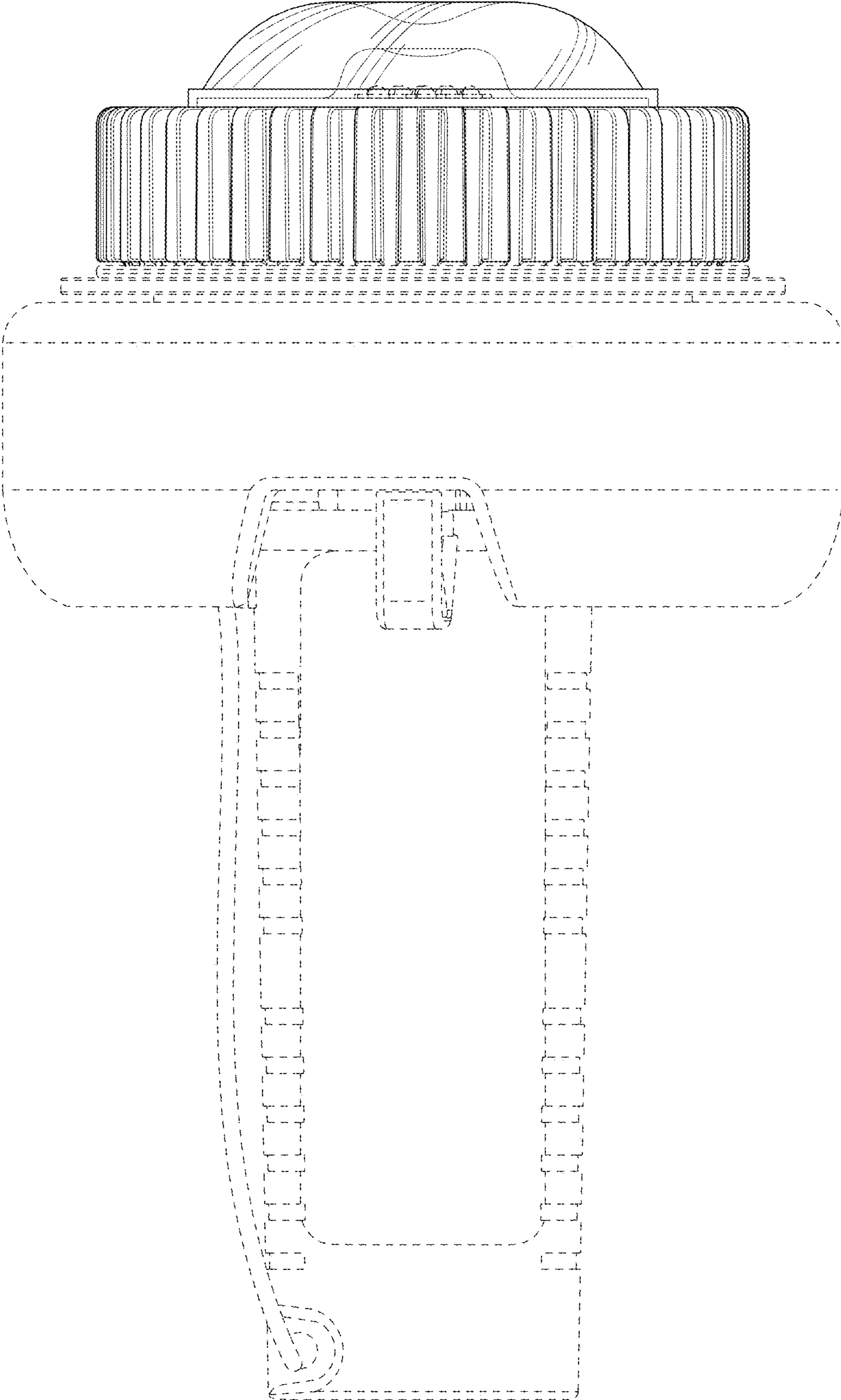


FIG. 4

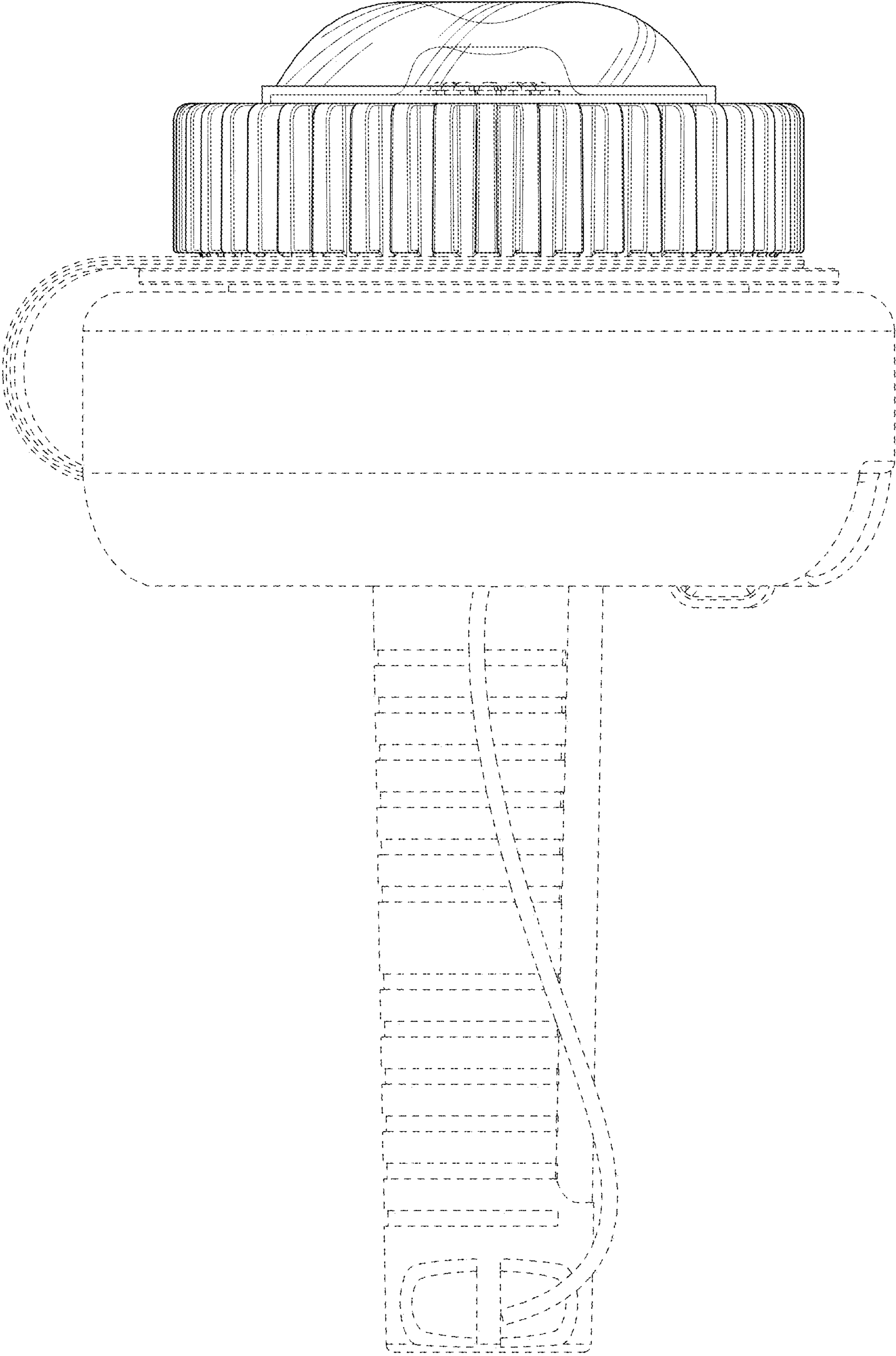


FIG. 5

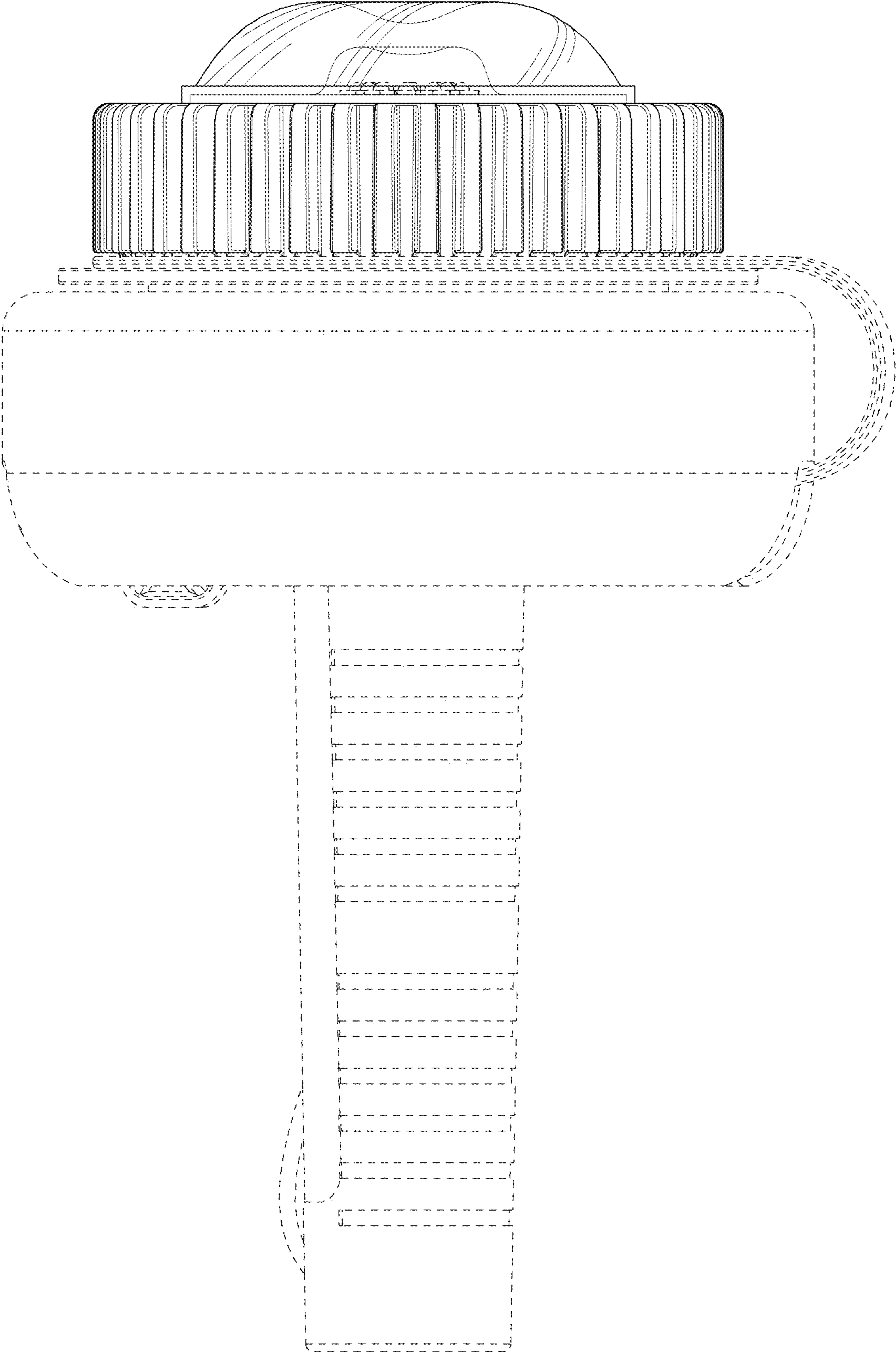


FIG. 6

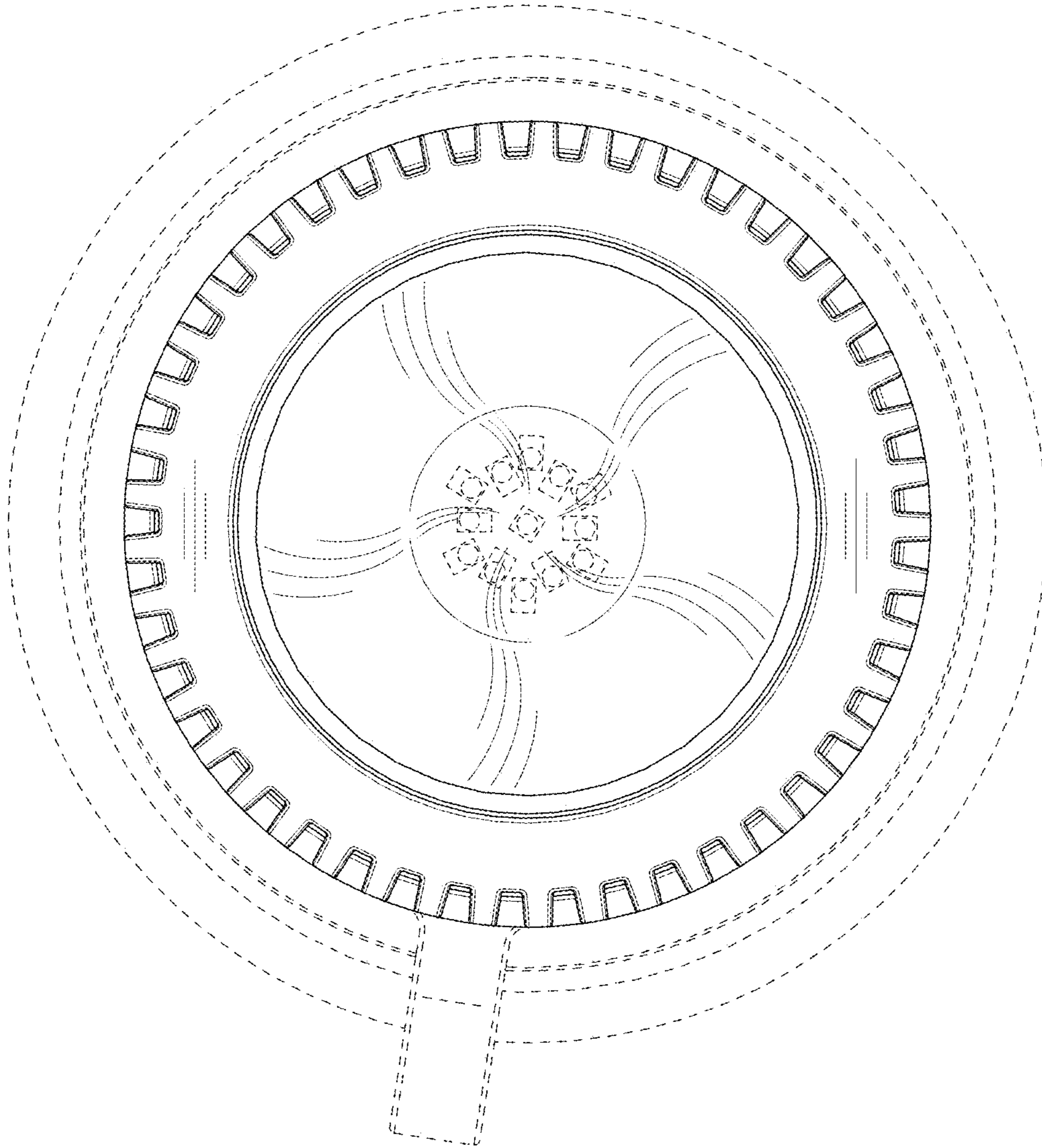


FIG. 7

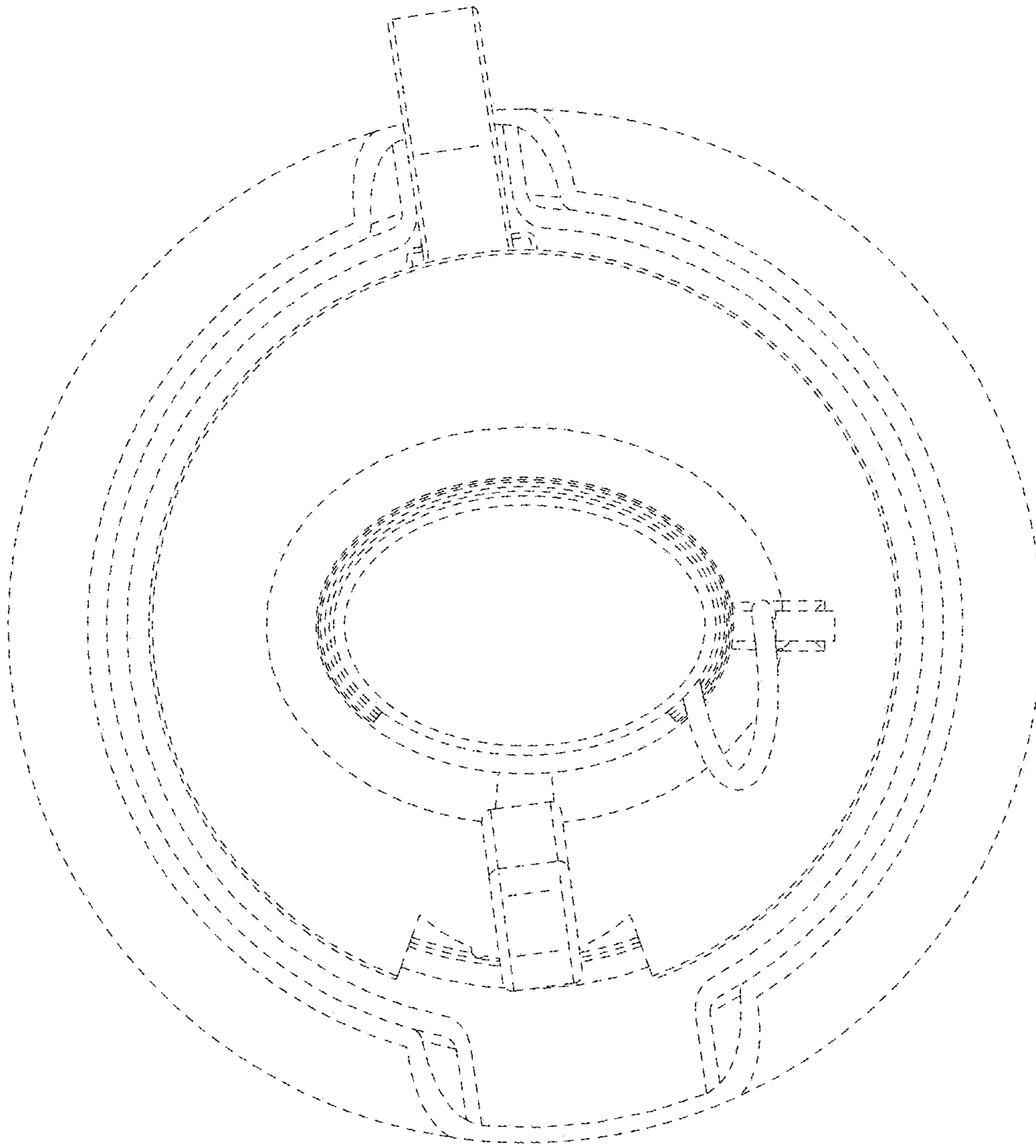


FIG. 8