



US00D956596S

(12) **United States Design Patent** (10) **Patent No.:** **US D956,596 S**
Siminoff et al. (45) **Date of Patent:** **** Jul. 5, 2022**

(54) **ALARM DEVICE**

(71) Applicant: **Amazon Technologies, Inc.**, Seattle, WA (US)
(72) Inventors: **James Siminoff**, Pacific Palisades, CA (US); **Mark Siminoff**, Mountain View, CA (US); **Ty Clark**, Gibbstown, NJ (US); **Wen-Yo Lu**, Pasadena, CA (US); **Andrew Louis Russell**, Havertown, PA (US); **Vinay Sao**, Malvern, PA (US)

(73) Assignee: **Amazon Technologies, Inc.**, Seattle, WA (US)

(**) Term: **15 Years**

(21) Appl. No.: **29/768,840**

(22) Filed: **Feb. 1, 2021**

Related U.S. Application Data

(63) Continuation of application No. 29/706,483, filed on Sep. 20, 2019, now Pat. No. Des. 909,222.

(51) **LOC (13) Cl.** **10-05**

(52) **U.S. Cl.**
USPC **D10/106.1**

(58) **Field of Classification Search**
USPC D10/75-80, 103, 104.1, 106.1-106.95;
D14/356, 357, 358
CPC H04M 11/04; H05K 5/03
See application file for complete search history.

(56) **References Cited**

U.S. PATENT DOCUMENTS

D368,042 S 3/1996 Pun
D698,681 S 2/2014 Kosloski
D724,462 S 3/2015 Bould et al.
D730,754 S 6/2015 Bould et al.
D730,755 S 6/2015 Bould et al.

D746,711 S 1/2016 Li
D766,749 S 9/2016 Fadell et al.
D766,750 S 9/2016 Fadell et al.
D773,948 S 12/2016 Schneid et al.
D773,949 S * 12/2016 Bolger D10/106.2
D793,888 S 8/2017 Hasegawa
D826,757 S 8/2018 Thornton et al.
D830,869 S 10/2018 Siminoff et al.
D834,437 S 11/2018 Zhang et al.
D842,154 S 3/2019 Dimitriadis et al.
D859,195 S 9/2019 Kristensson et al.
D865,556 S 11/2019 Siminoff et al.
D876,255 S * 2/2020 Moller D10/70
D889,296 S * 7/2020 Loh D10/106.1
D896,117 S 9/2020 Nagel et al.
D906,145 S * 12/2020 Siminoff D10/106.1
D909,222 S * 2/2021 Siminoff D10/106.1
D915,916 S * 4/2021 Konotopskyi D10/106.2
D923,625 S * 6/2021 Siminoff D14/399

* cited by examiner

Primary Examiner — Joseph Kukella
(74) *Attorney, Agent, or Firm* — Lee & Hayes, P.C.

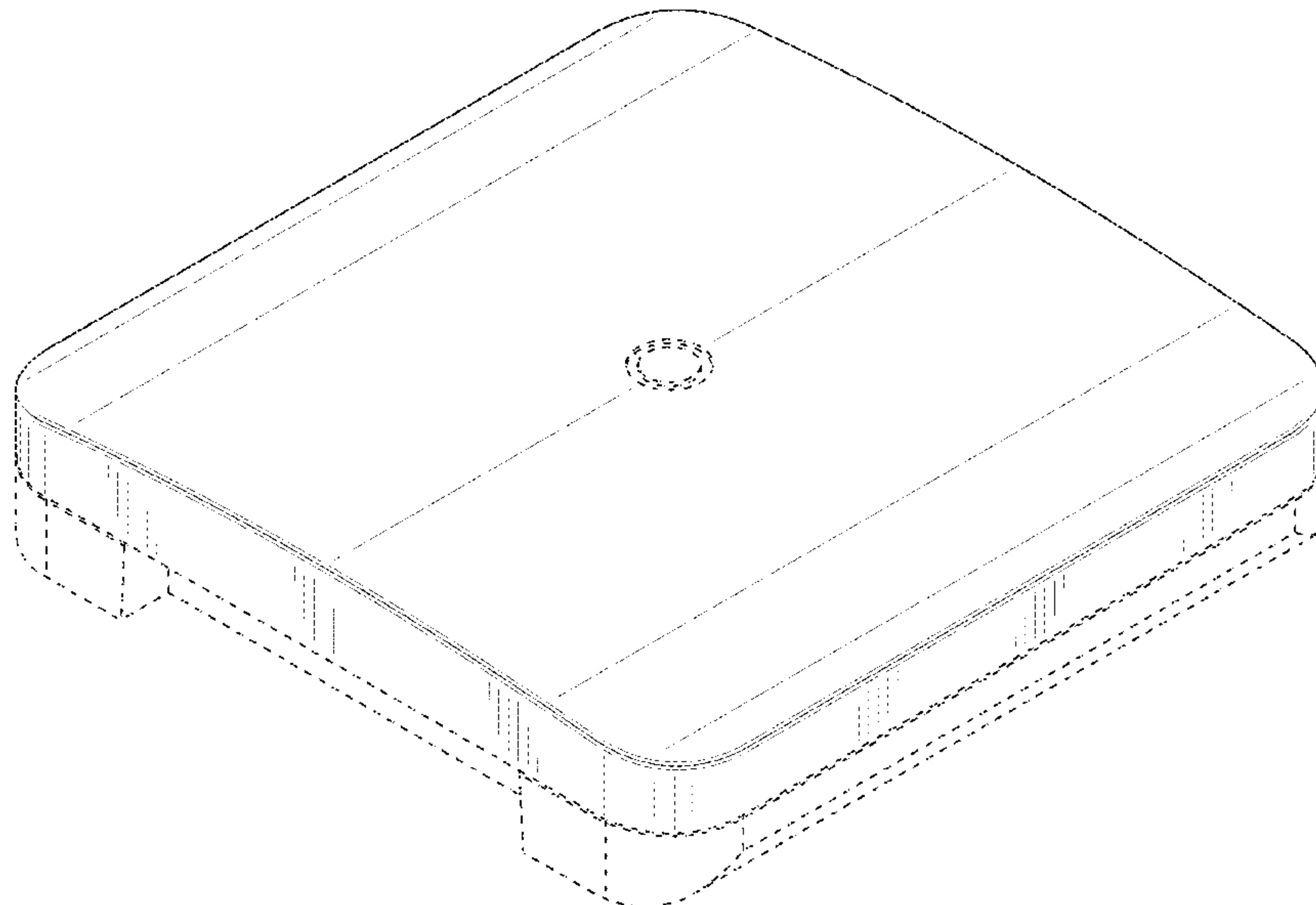
(57) **CLAIM**

The ornamental design for an alarm device, as shown and described.

DESCRIPTION

FIG. 1 is a front, right, bottom perspective view of an alarm device;
FIG. 2 is a back, right, top perspective view thereof
FIG. 3 is a bottom plan view thereof;
FIG. 4 is a top plan view thereof;
FIG. 5 is a right-side elevation view thereof;
FIG. 6 is a left-side elevation view thereof;
FIG. 7 is a front elevation view thereof; and,
FIG. 8 is a back elevation view thereof.
The broken lines depict portions of the alarm device that form no part of the claimed design.

1 Claim, 8 Drawing Sheets



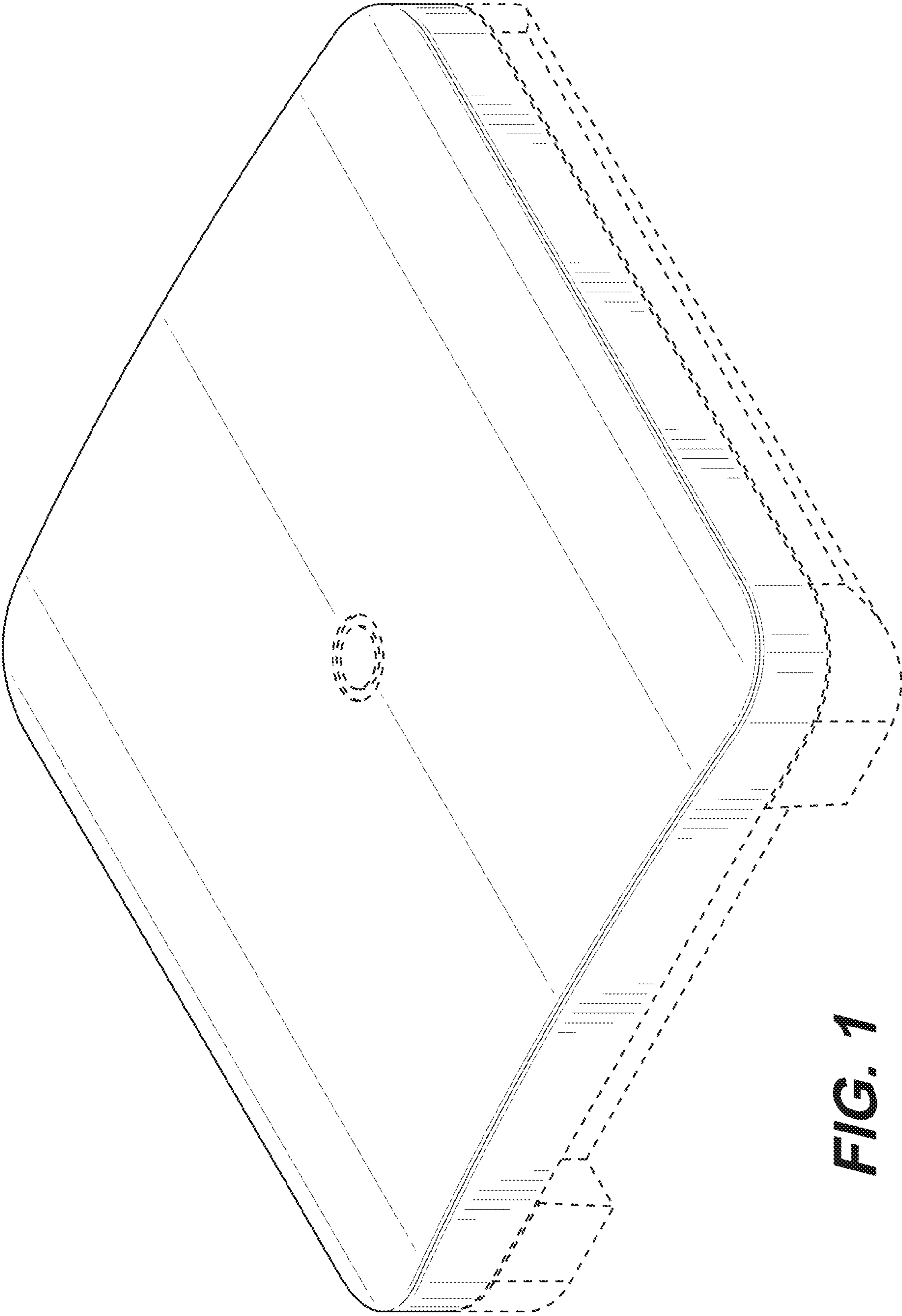


FIG. 1

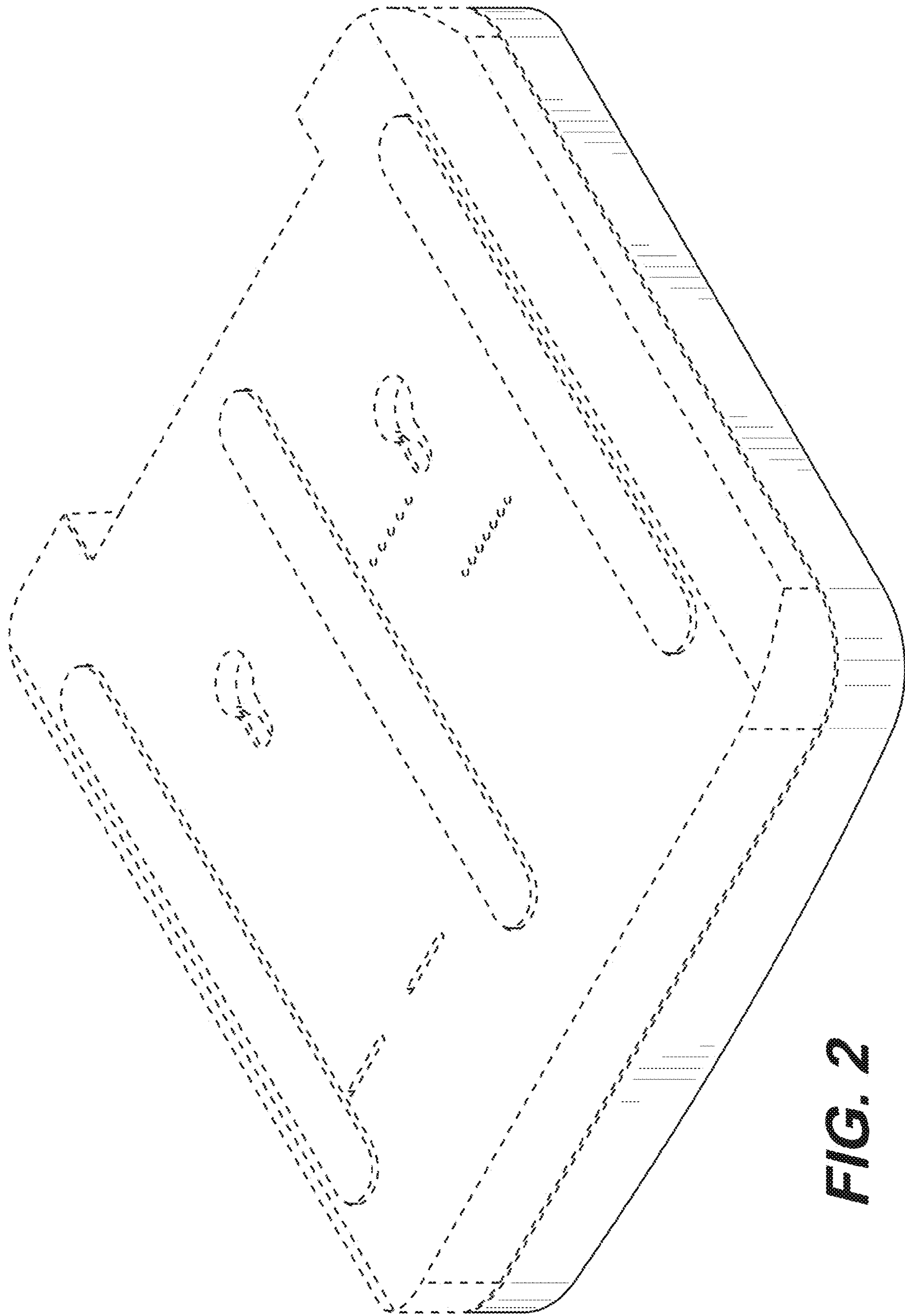


FIG. 2

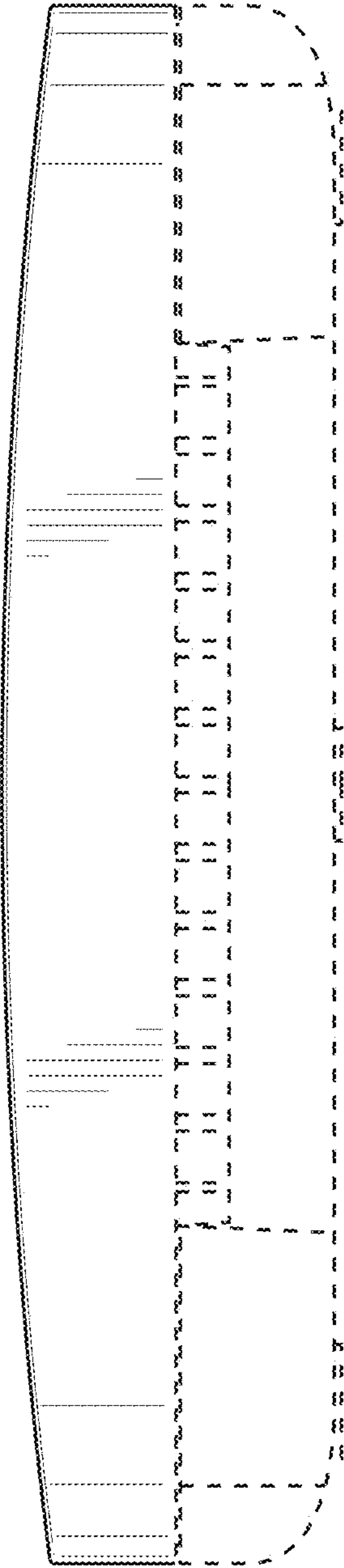


FIG. 3

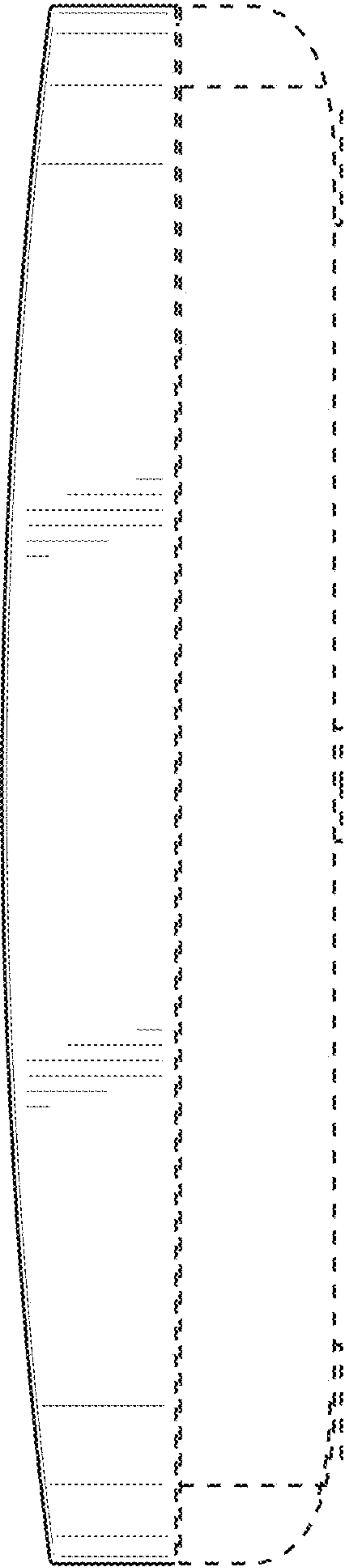


FIG. 4

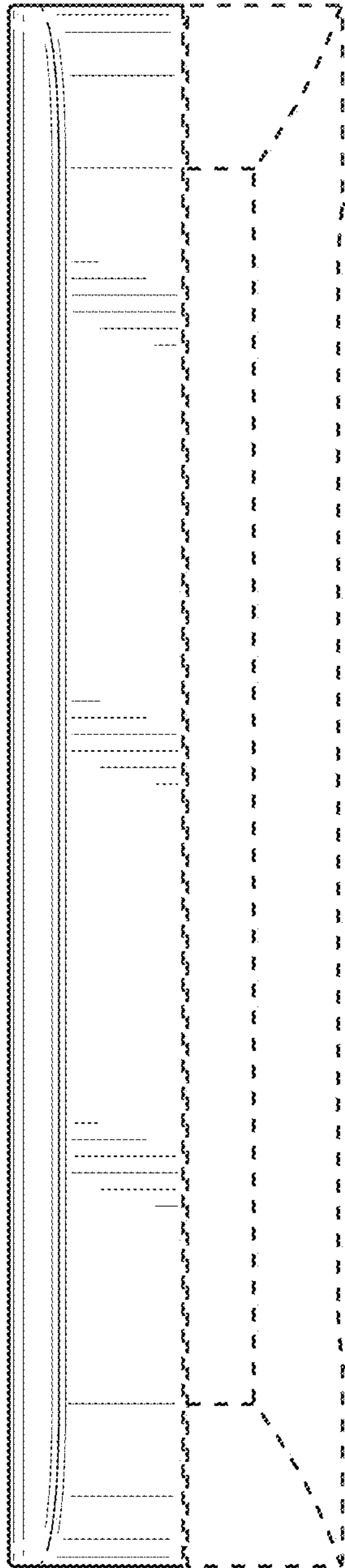


FIG. 5

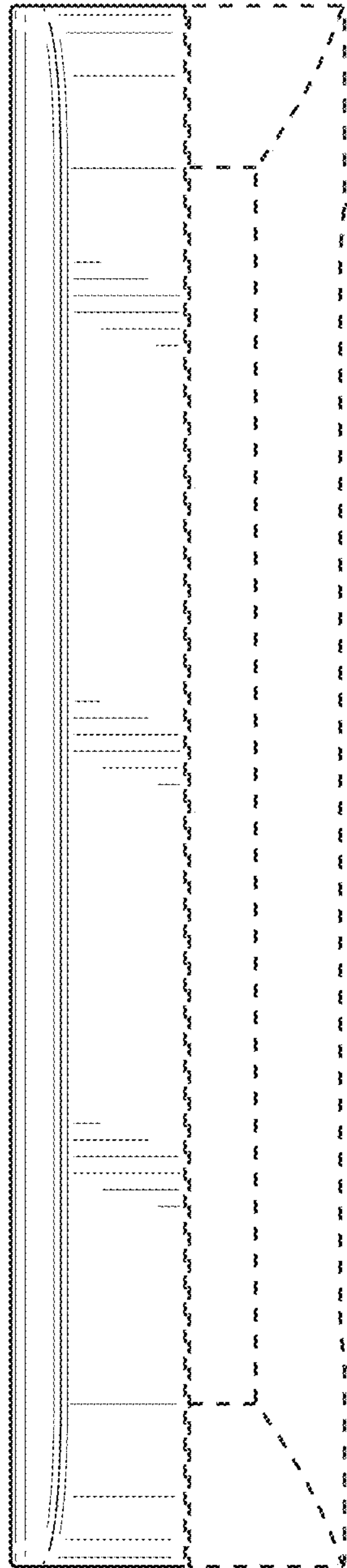


FIG. 6

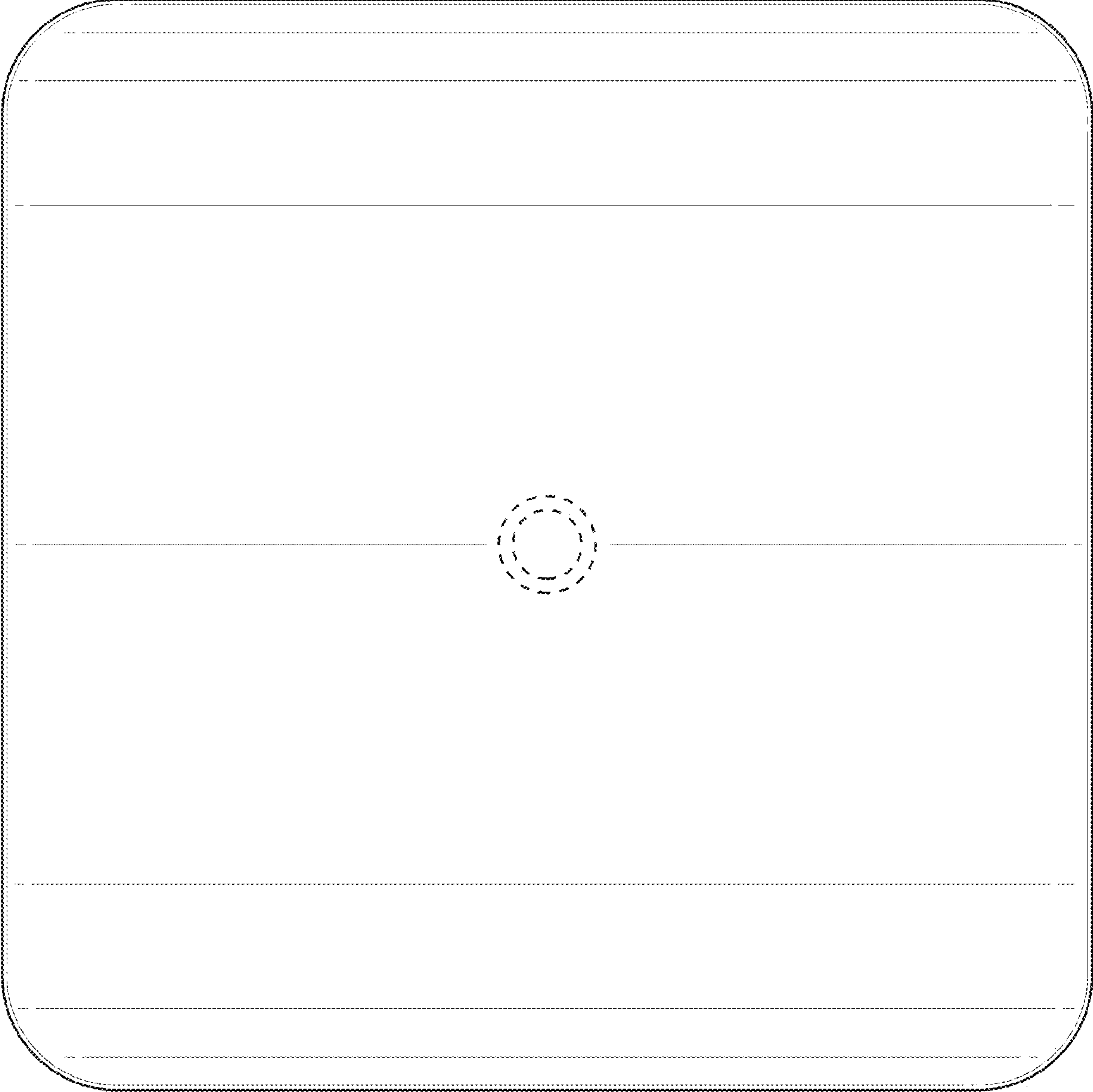


FIG. 7

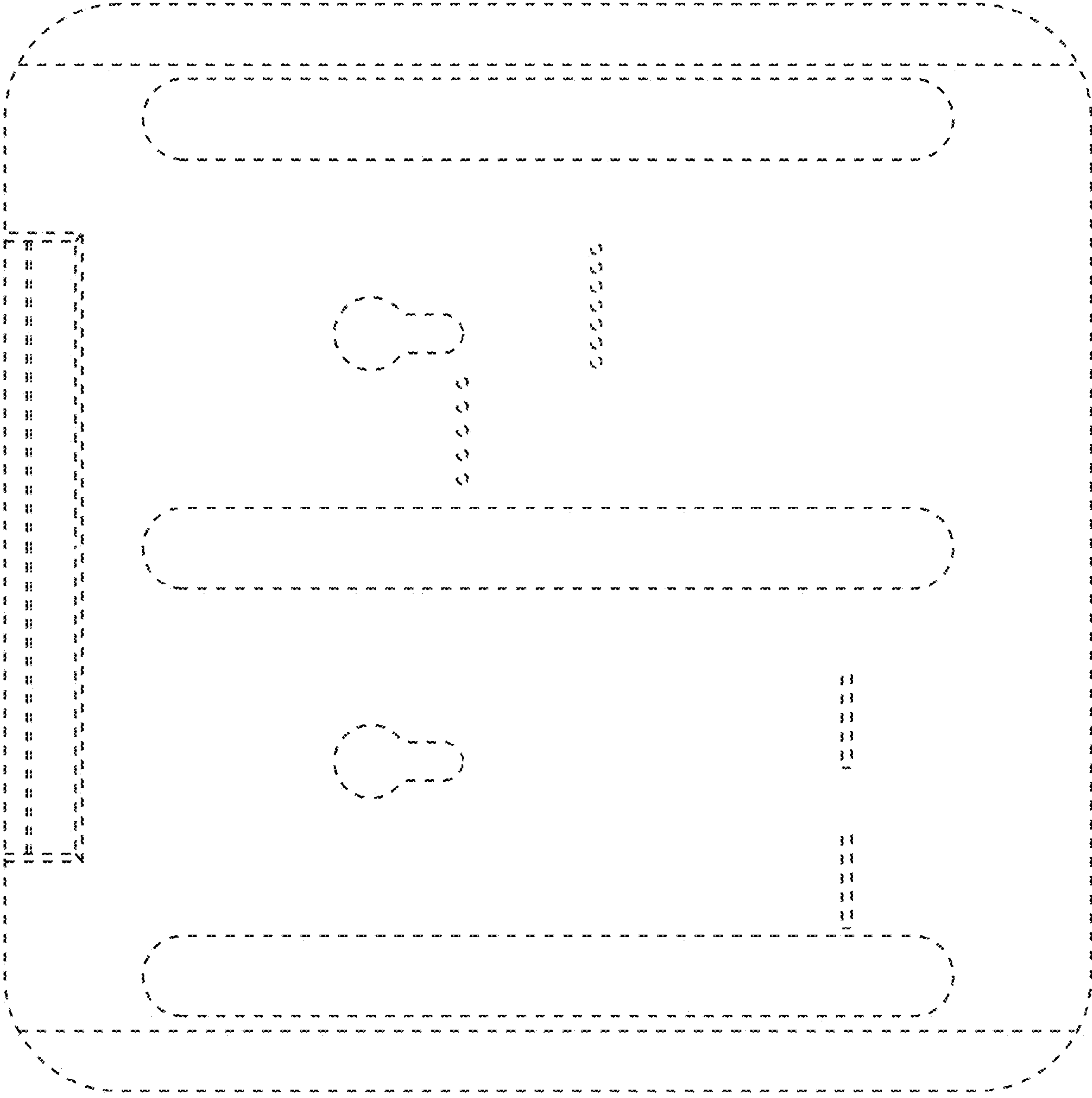


FIG. 8