



US00D956595S

(12) **United States Design Patent**  
**Yang et al.**

(10) **Patent No.:** **US D956,595 S**

(45) **Date of Patent:** **\*\* Jul. 5, 2022**

- (54) **DANGER SIGNAL GENERATOR**
- (71) Applicant: **AMONSENSE CO., LTD.**, Cheonan-si (KR)
- (72) Inventors: **Jin-Sung Yang**, Seoul (KR);  
**Byeong-An Yu**, Gwangmyeong-si (KR)
- (73) Assignee: **AMONSENSE CO., LTD.**, Cheonan-si (KR)

- D786,110 S \* 5/2017 Kucala ..... D10/106.1
- D786,111 S \* 5/2017 Peterson ..... D10/106.1
- D842,154 S \* 3/2019 Dimitriadis ..... D10/106.2
- D865,556 S \* 11/2019 Siminoff ..... D10/106.1
- D896,117 S \* 9/2020 Nagel ..... D10/106.91
- D896,673 S \* 9/2020 Brainard ..... D10/106.2
- D906,145 S \* 12/2020 Siminoff ..... D10/106.1

\* cited by examiner

*Primary Examiner* — Joseph Kukella  
(74) *Attorney, Agent, or Firm* — NSIP Law

- (\*\*) Term: **15 Years**
- (21) Appl. No.: **29/696,353**
- (22) Filed: **Jun. 27, 2019**

(30) **Foreign Application Priority Data**

Dec. 27, 2018 (KR) ..... 30-2018-0061976

- (51) **LOC (13) Cl.** ..... **10-05**
- (52) **U.S. Cl.**  
USPC ..... **D10/106.1**

- (58) **Field of Classification Search**  
USPC ..... D10/75–80, 103, 104.1, 106.1–106.95;  
D14/356, 357, 358  
CPC ..... H04M 11/04; H05K 5/03  
See application file for complete search history.

(56) **References Cited**

**U.S. PATENT DOCUMENTS**

- D724,462 S \* 3/2015 Bould ..... D10/106.2
- D730,754 S \* 6/2015 Bould ..... D10/53
- D746,711 S \* 1/2016 Li ..... D10/106.1
- D766,749 S \* 9/2016 Fadell ..... D10/53
- D766,750 S \* 9/2016 Fadell ..... D10/53
- D773,948 S \* 12/2016 Schneid ..... D10/106.2
- D778,185 S \* 2/2017 Ookawa ..... D10/70

(57) **CLAIM**

We claim the ornamental design for a danger signal generator, as shown and described.

**DESCRIPTION**

FIG. 1 is a front perspective view of a danger signal generator showing our new design;  
 FIG. 2 is a front view thereof;  
 FIG. 3 is a rear view thereof;  
 FIG. 4 is a left-side view thereof;  
 FIG. 5 is a right-side view thereof;  
 FIG. 6 is a top view thereof;  
 FIG. 7 is a bottom view thereof;  
 FIG. 8 is a rear perspective view thereof;  
 FIG. 9 is a front perspective view of the danger signal generator in which a bracket is provided in broken lines to illustrate an example environment; and,  
 FIG. 10 is another front perspective view of the danger signal generator in which a bracket is provided in broken lines to illustrate an example environment.  
 In the drawings, the broken lines depict environmental subject matter that forms no part of the claimed design.

**1 Claim, 10 Drawing Sheets**

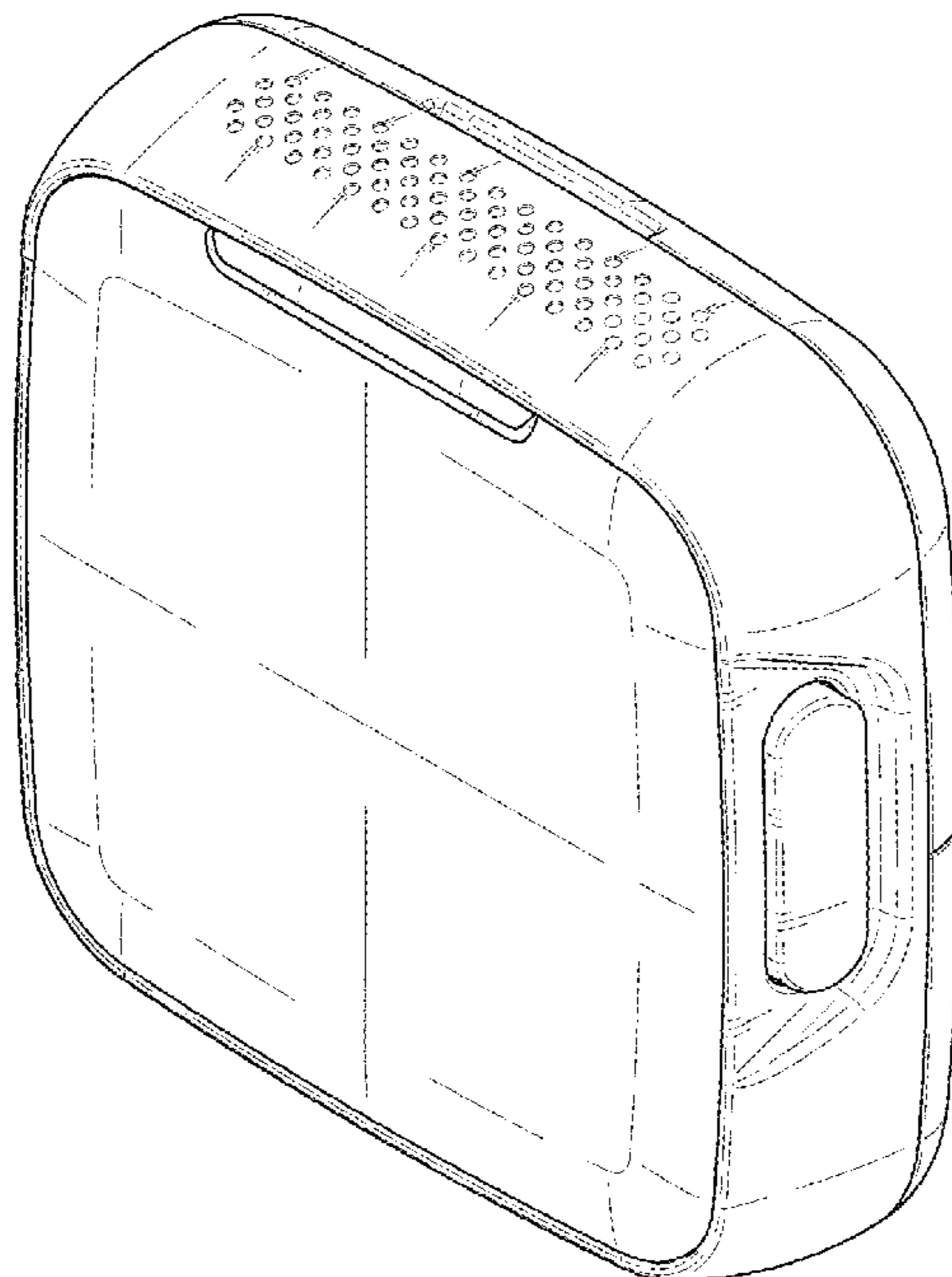


FIG. 1

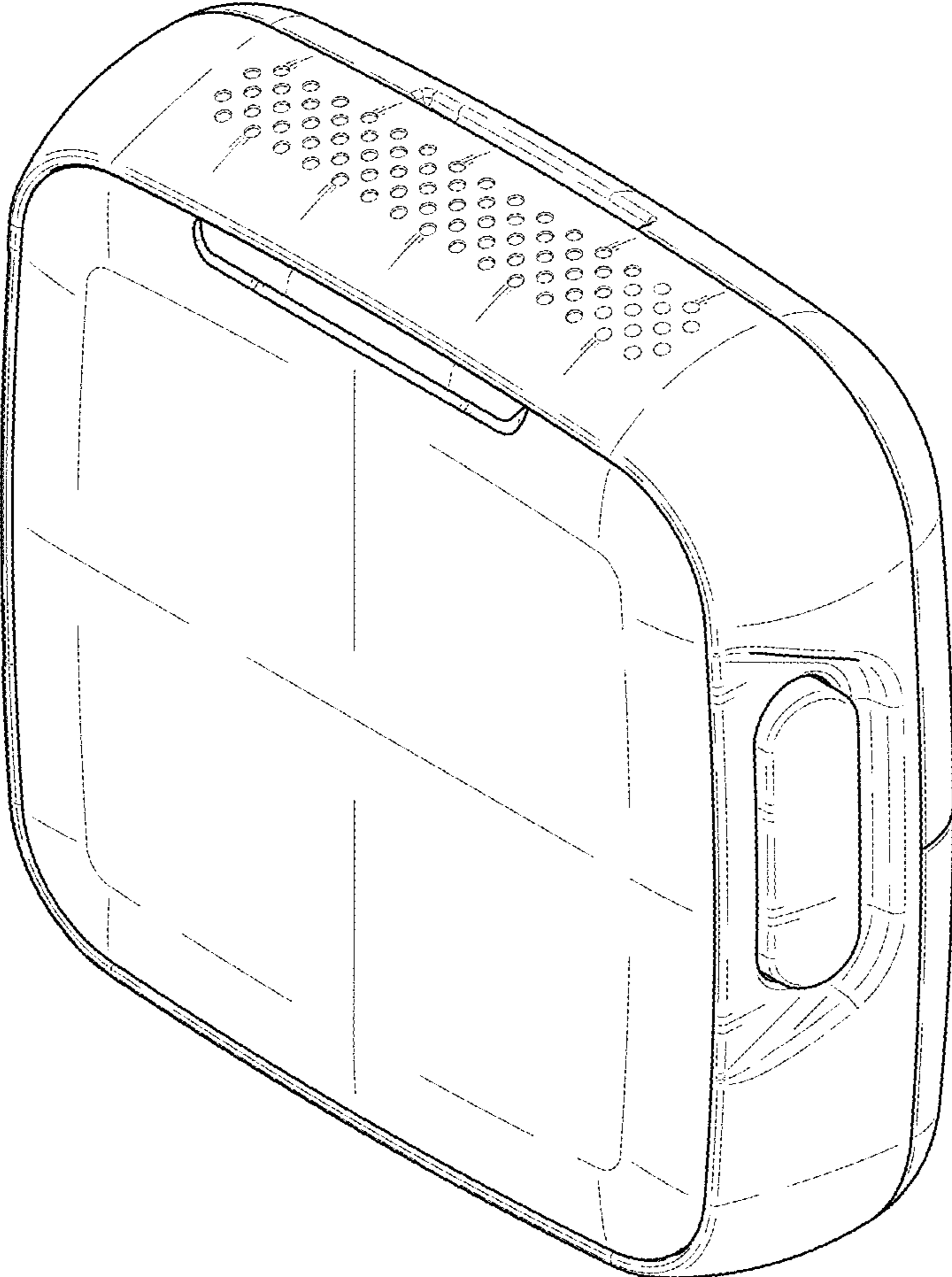


FIG. 2

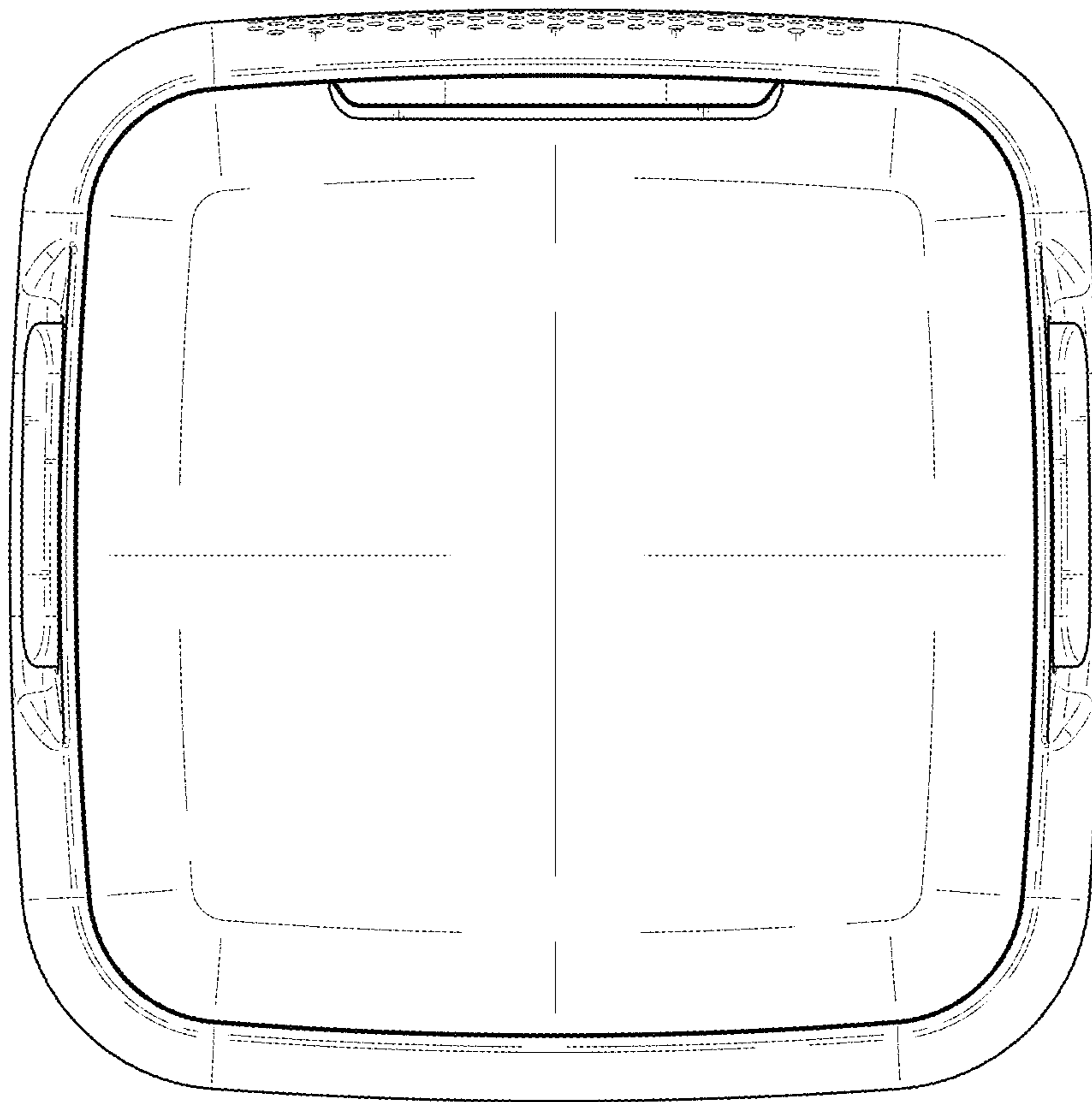


FIG. 3

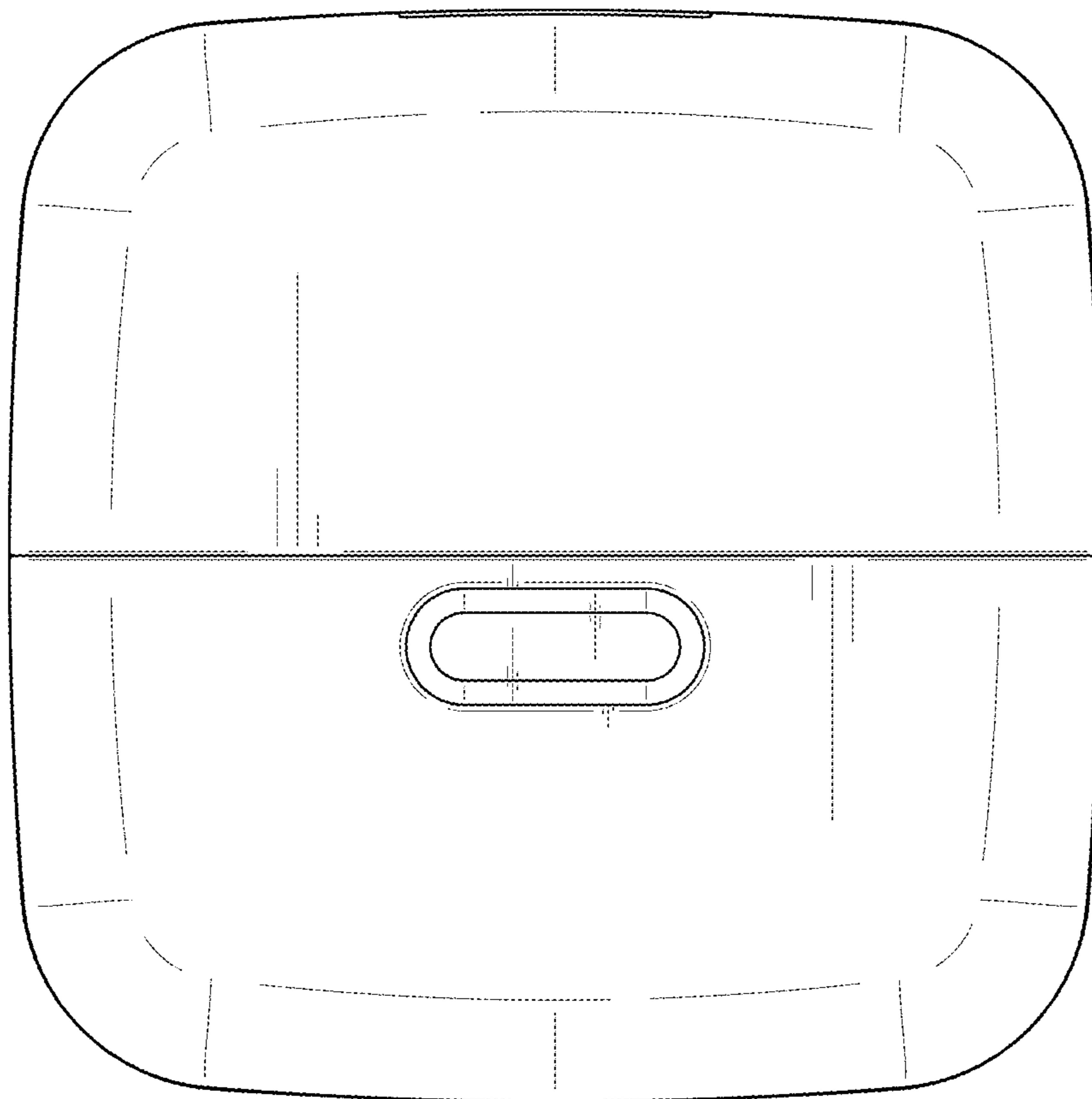


FIG. 4

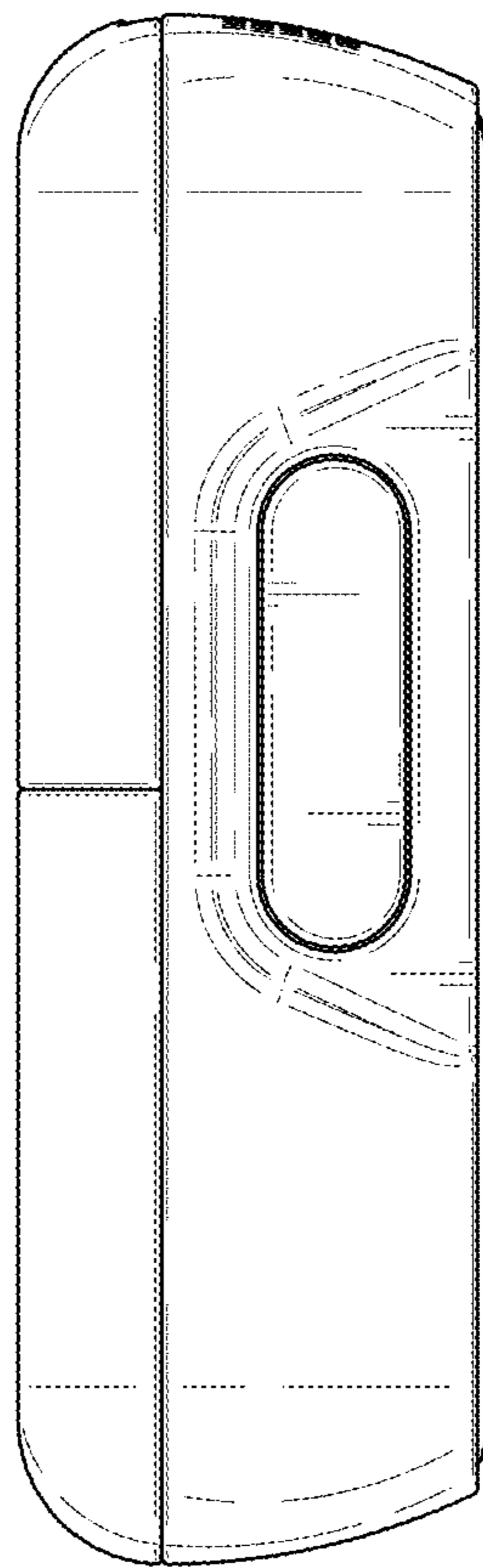


FIG. 5

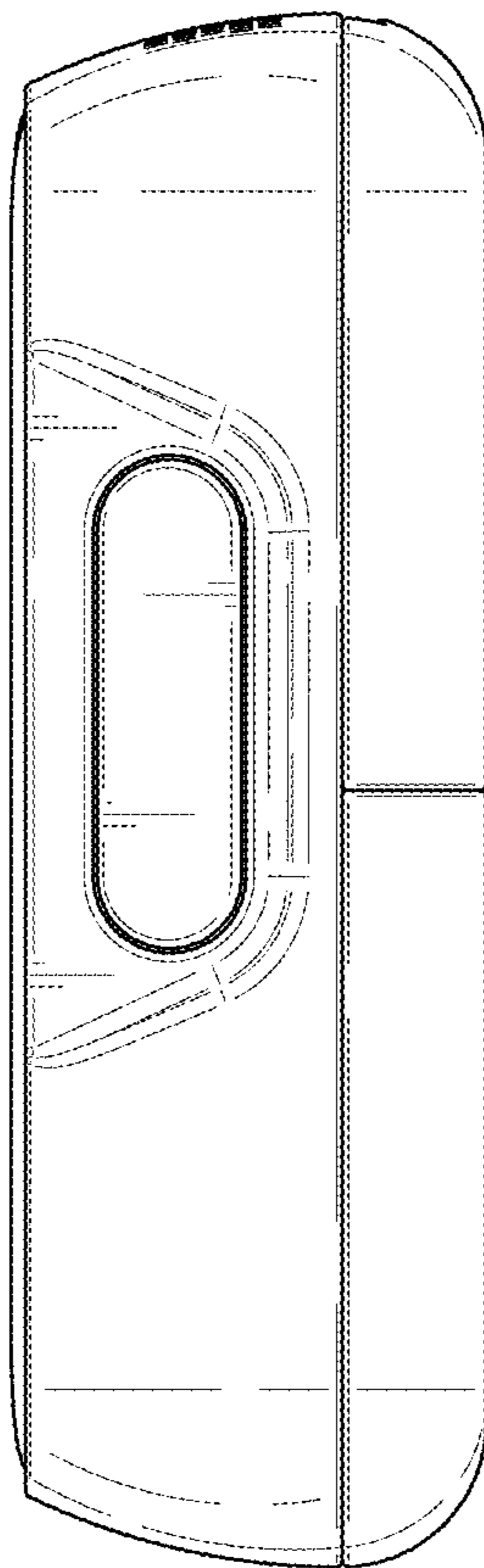


FIG. 6

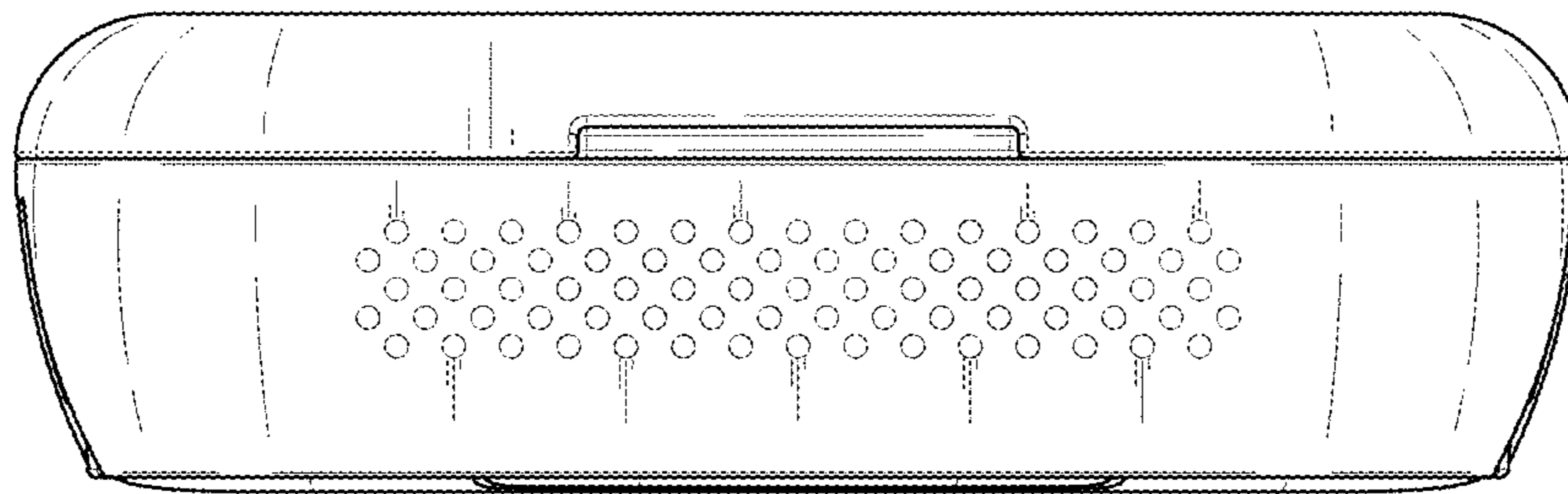


FIG. 7

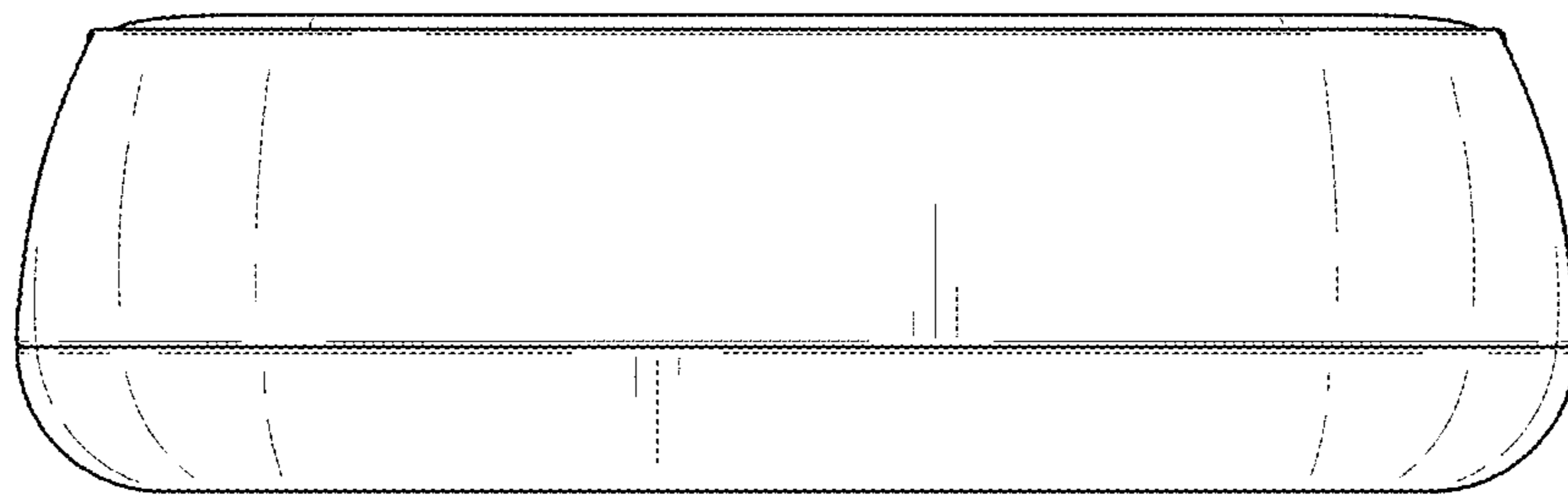




FIG. 8

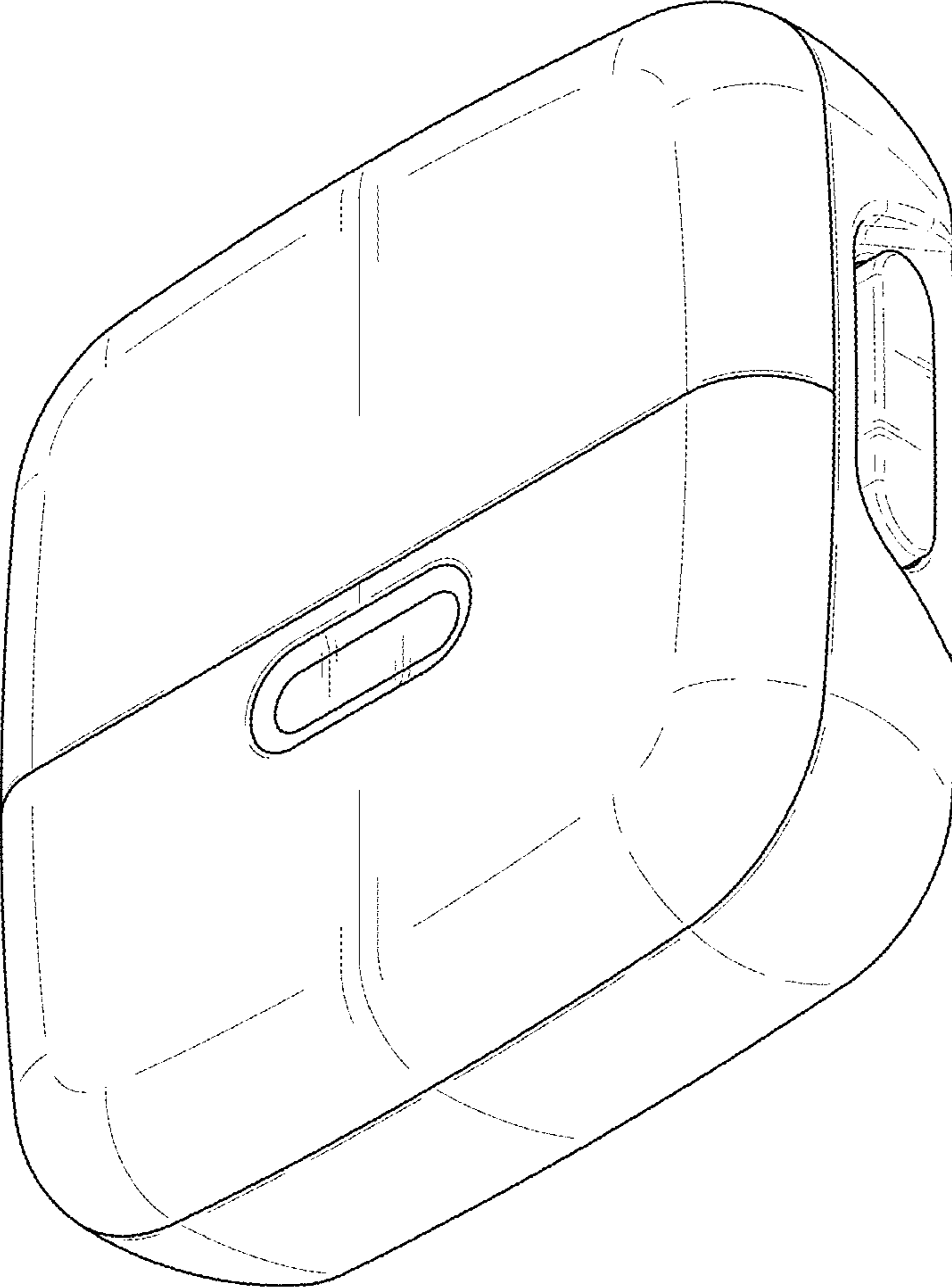


FIG. 9

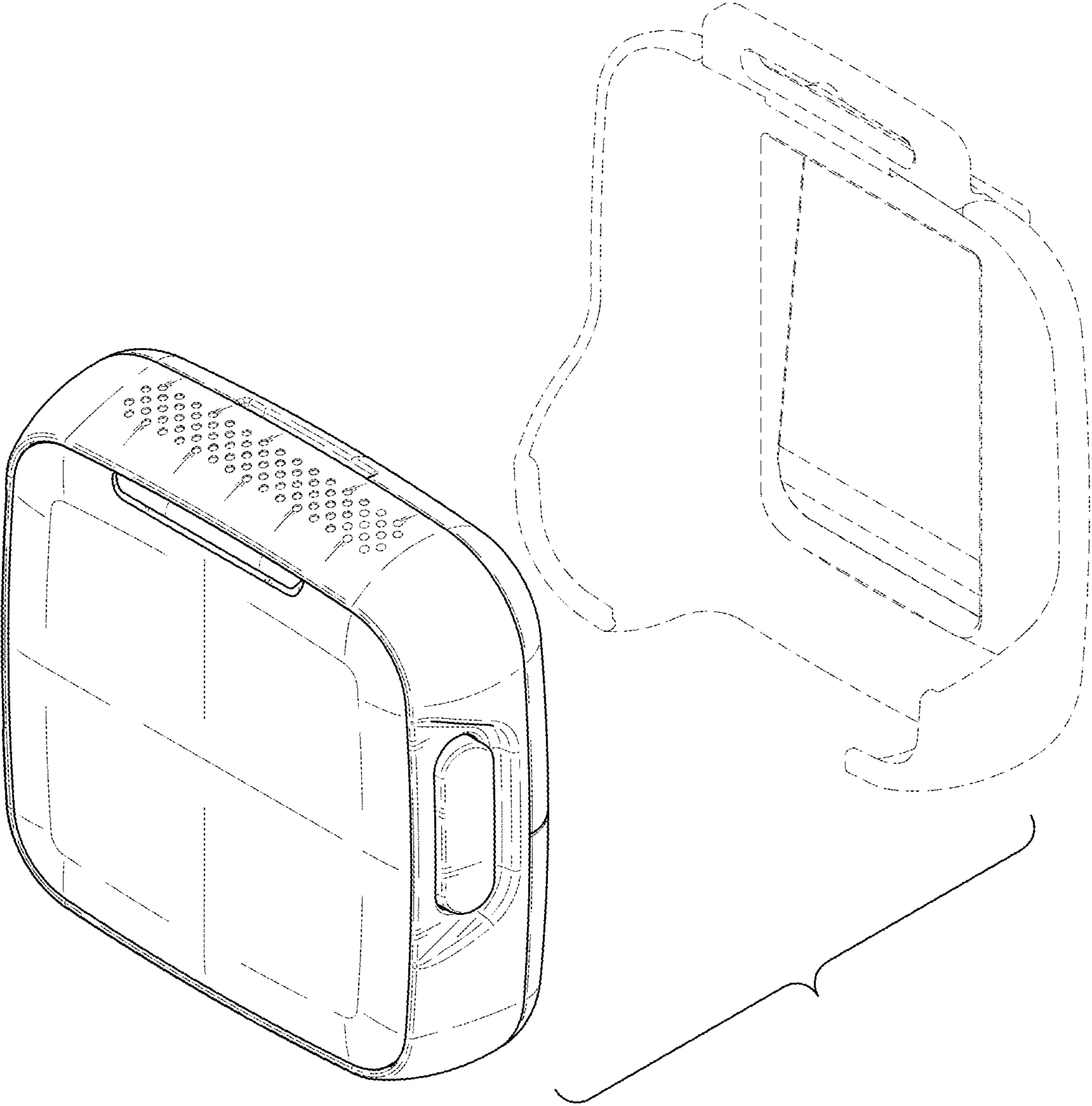


FIG. 10

