



US00D956593S

(12) **United States Design Patent**  
**Hamlin**

(10) **Patent No.:** **US D956,593 S**  
(45) **Date of Patent:** **\*\* Jul. 5, 2022**

- (54) **TEST STATION TERMINAL**
- (71) Applicant: **Vulcan, Inc.**, Foley, AL (US)
- (72) Inventor: **Robert Hamlin**, Foley, AL (US)
- (73) Assignee: **Vulcan, Inc.**, Foley, AL (US)
- (\*\*) Term: **15 Years**
- (21) Appl. No.: **29/732,900**
- (22) Filed: **Apr. 28, 2020**
- (51) **LOC (13) Cl.** ..... **10-04**
- (52) **U.S. Cl.**  
USPC ..... **D10/103**
- (58) **Field of Classification Search**  
USPC ..... D10/46, 75, 80, 81, 85, 102, 103, 116.1,  
D10/119.2, 121; D8/371, 373  
CPC ..... C23F 13/00; C23F 13/06; C23F 13/18;  
C23F 2213/30  
See application file for complete search history.

6,321,679	B1	11/2001	Murrin et al.	
D537,745	S *	3/2007	Wells .....	D10/103
D573,909	S *	7/2008	Veening .....	D10/102
D622,134	S *	8/2010	Camp, Jr. ....	D8/373
D665,284	S *	8/2012	Nishimoto .....	D10/81
D787,356	S *	5/2017	Johnston .....	D10/103
D844,473	S *	4/2019	Maulder .....	G01D 11/30
				D8/371
D905,580	S *	12/2020	Ootsuka .....	D10/80

**FOREIGN PATENT DOCUMENTS**

KR 3020190014494 \* 3/2019

\* cited by examiner

*Primary Examiner* — George D. Kirschbaum

*Assistant Examiner* — Lillian Windham

(74) *Attorney, Agent, or Firm* — Taylor English Duma LLP

(57) **CLAIM**

I claim the ornamental design for a test station terminal, as shown and described.

**DESCRIPTION**

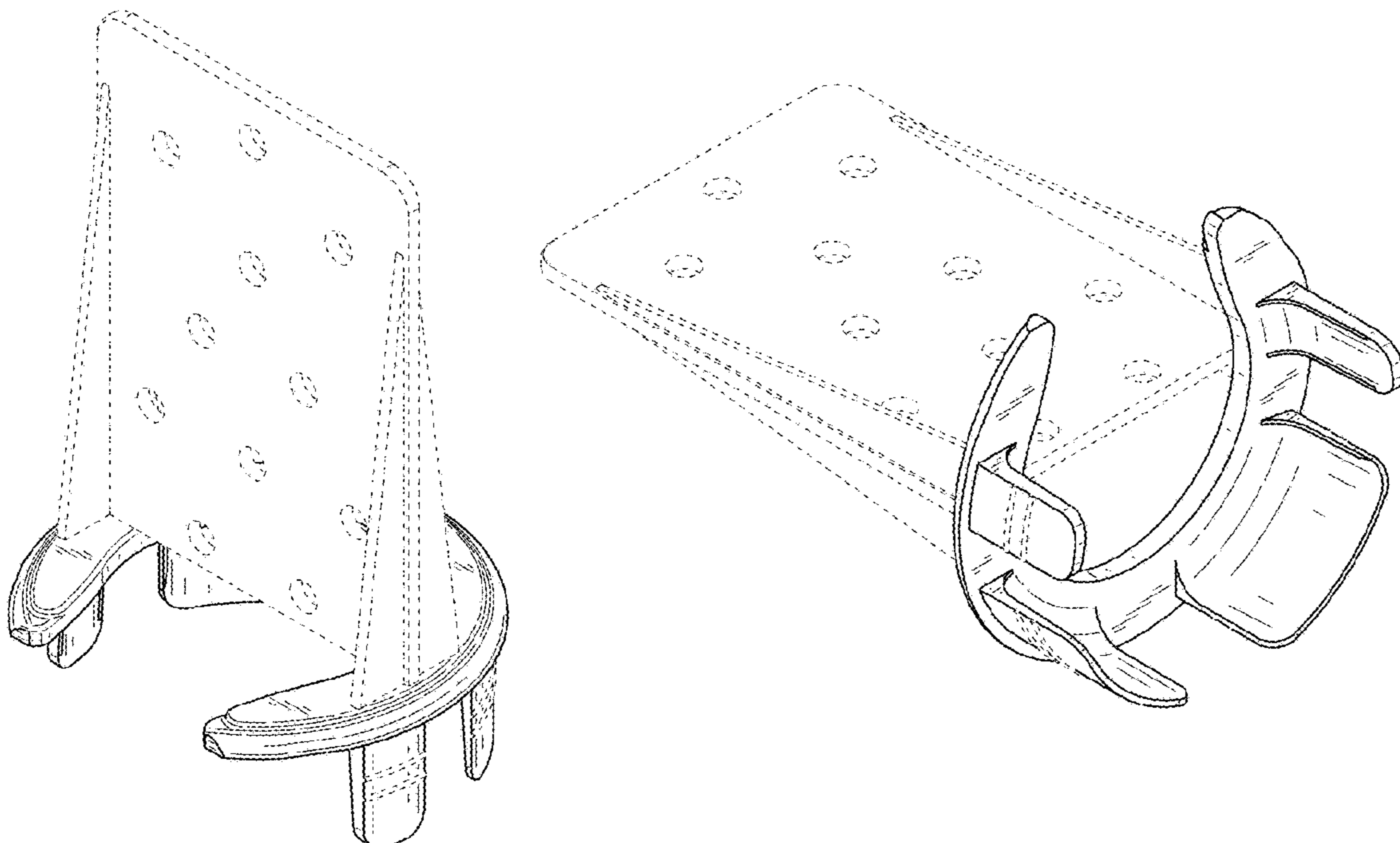
FIG. 1 is a top, front, right side perspective view of a test station terminal showing my new design;  
 FIG. 2 is a bottom, front, left side perspective view thereof;  
 FIG. 3 is a front elevation view thereof;  
 FIG. 4 is a rear elevation view thereof;  
 FIG. 5 is a left side elevation view thereof;  
 FIG. 6 is a right side elevation view thereof;  
 FIG. 7 is a top plan view thereof; and,  
 FIG. 8 is a bottom plan view thereof.  
 In the Figures, the broken lines illustrate portions of the test station terminal that form no part of the claimed design.

**1 Claim, 4 Drawing Sheets**

(56) **References Cited**

**U.S. PATENT DOCUMENTS**

D137,664	S *	4/1944	Brown .....	D10/116.1
D188,824	S *	9/1960	Bush .....	D8/373
4,382,155	A *	5/1983	Borin .....	G01R 1/06
				285/87
D302,950	S *	8/1989	Boyd .....	D10/85
D307,557	S *	5/1990	Frahm .....	D10/46
D308,171	S *	5/1990	Haas, Jr. ....	D10/46
D377,383	S *	1/1997	Morocco .....	D10/119.2
D397,306	S *	8/1998	Ross, Jr. ....	D10/103
5,897,755	A *	4/1999	Star .....	C23F 13/04
				204/196.07
D412,451	S *	8/1999	Star .....	D10/81



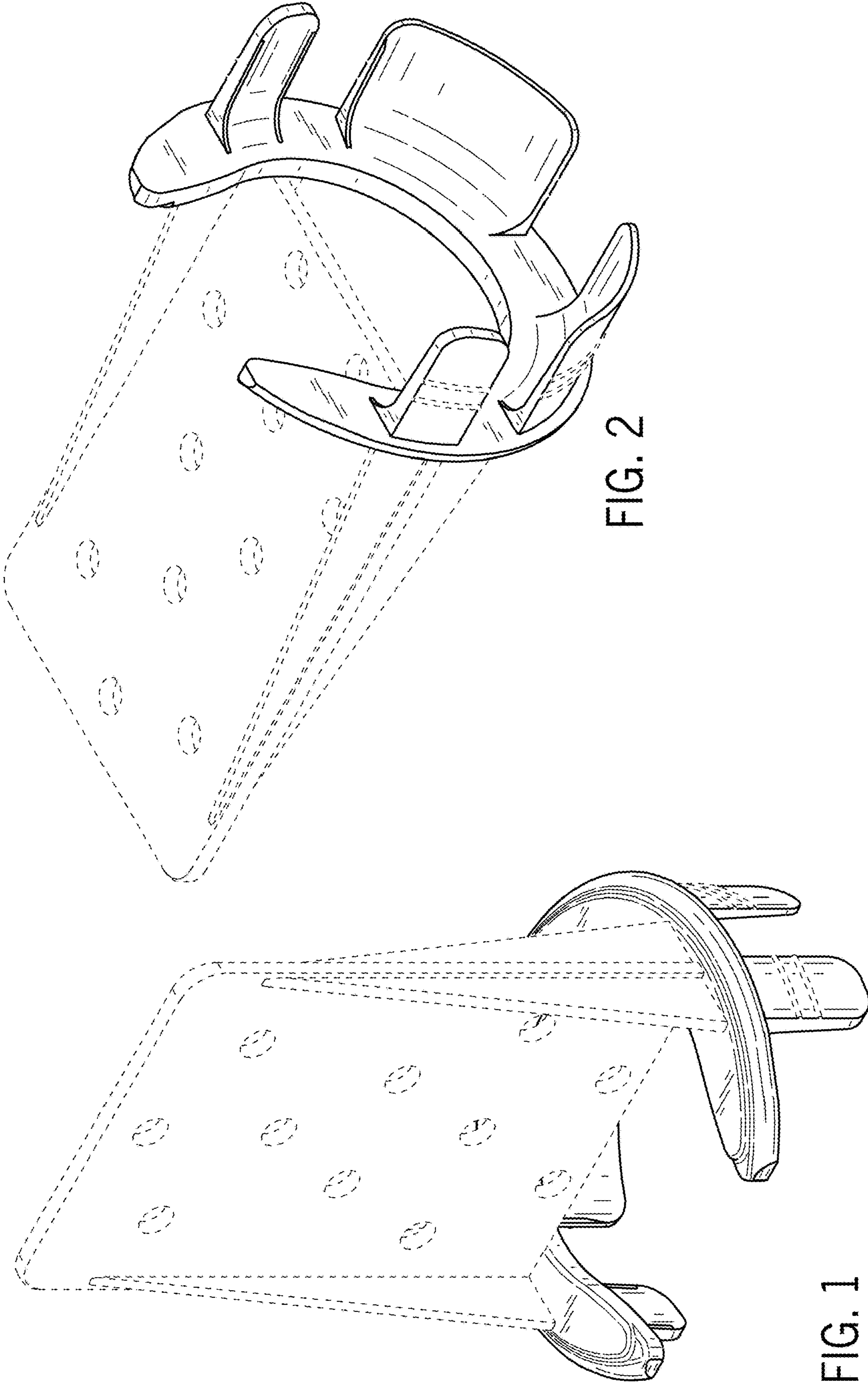


FIG. 2

FIG. 1

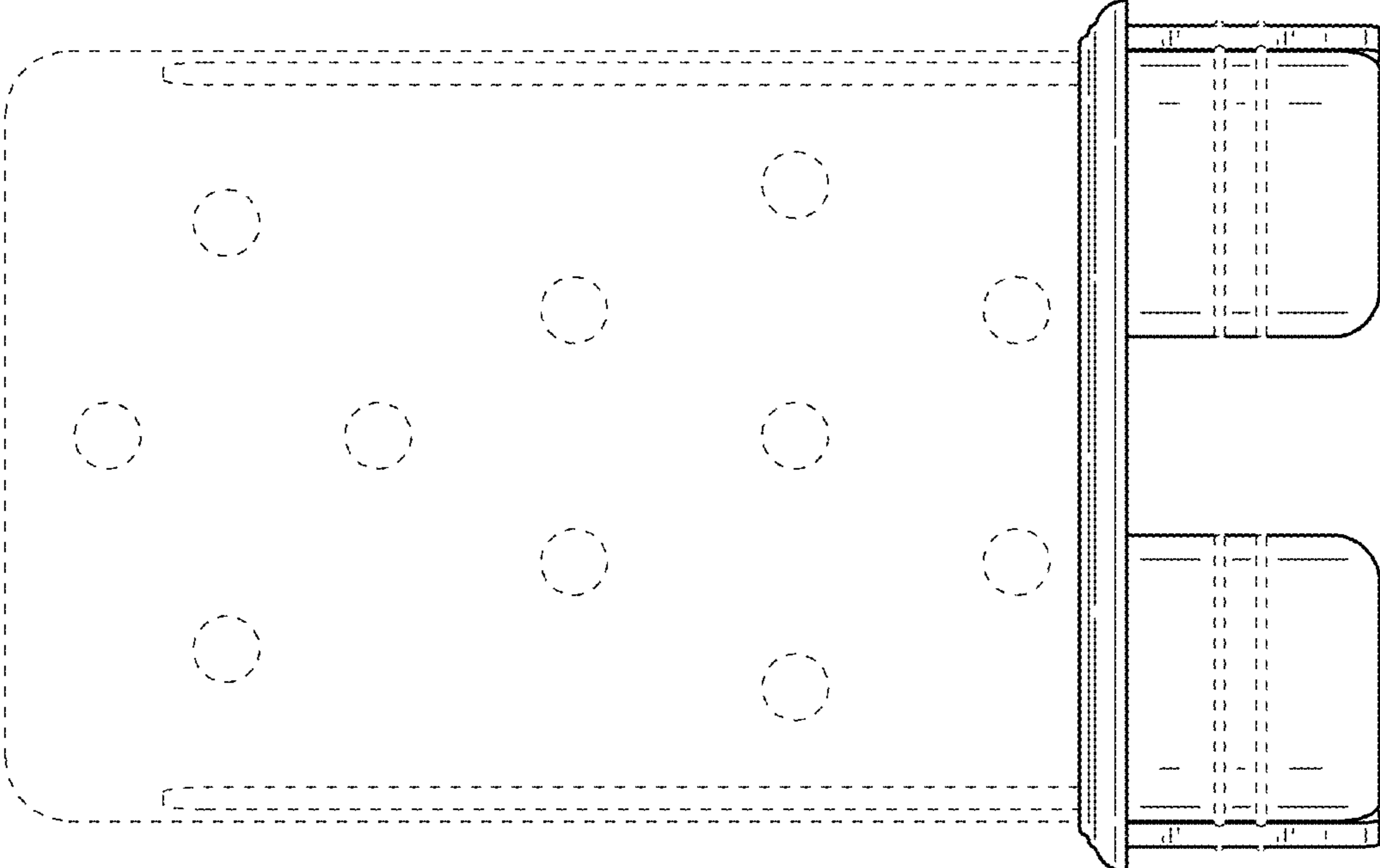


FIG. 4

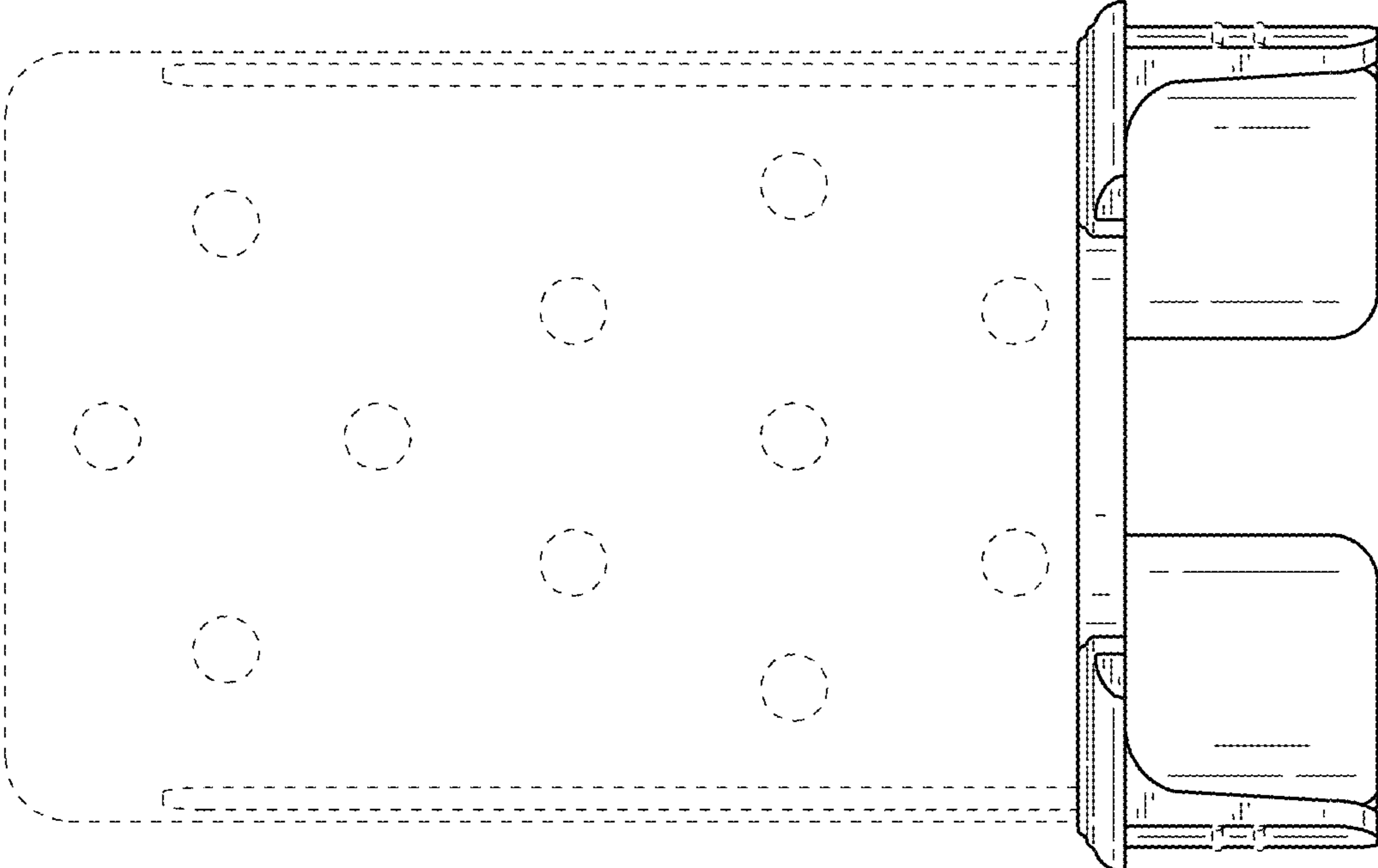


FIG. 3

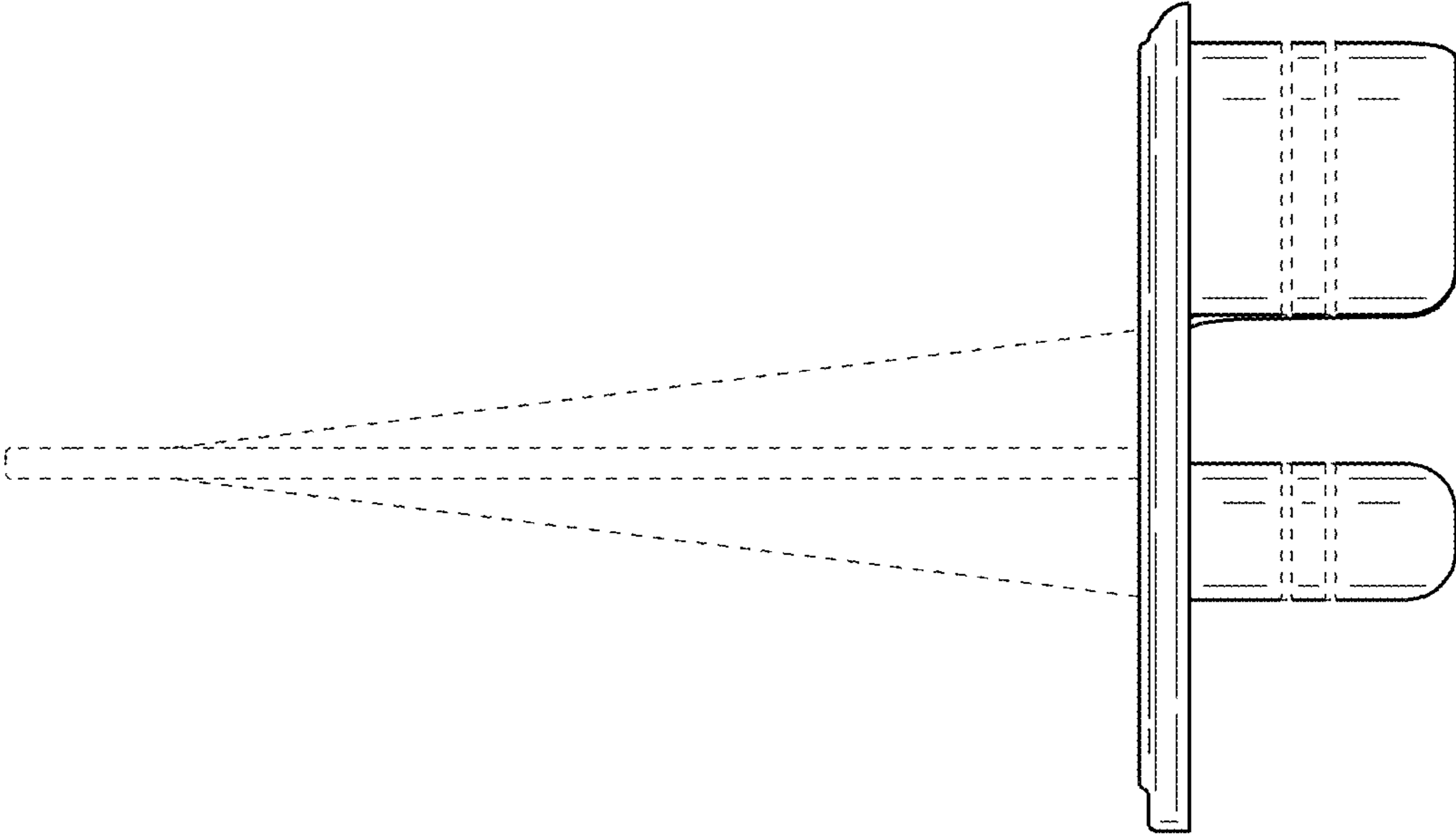


FIG. 5

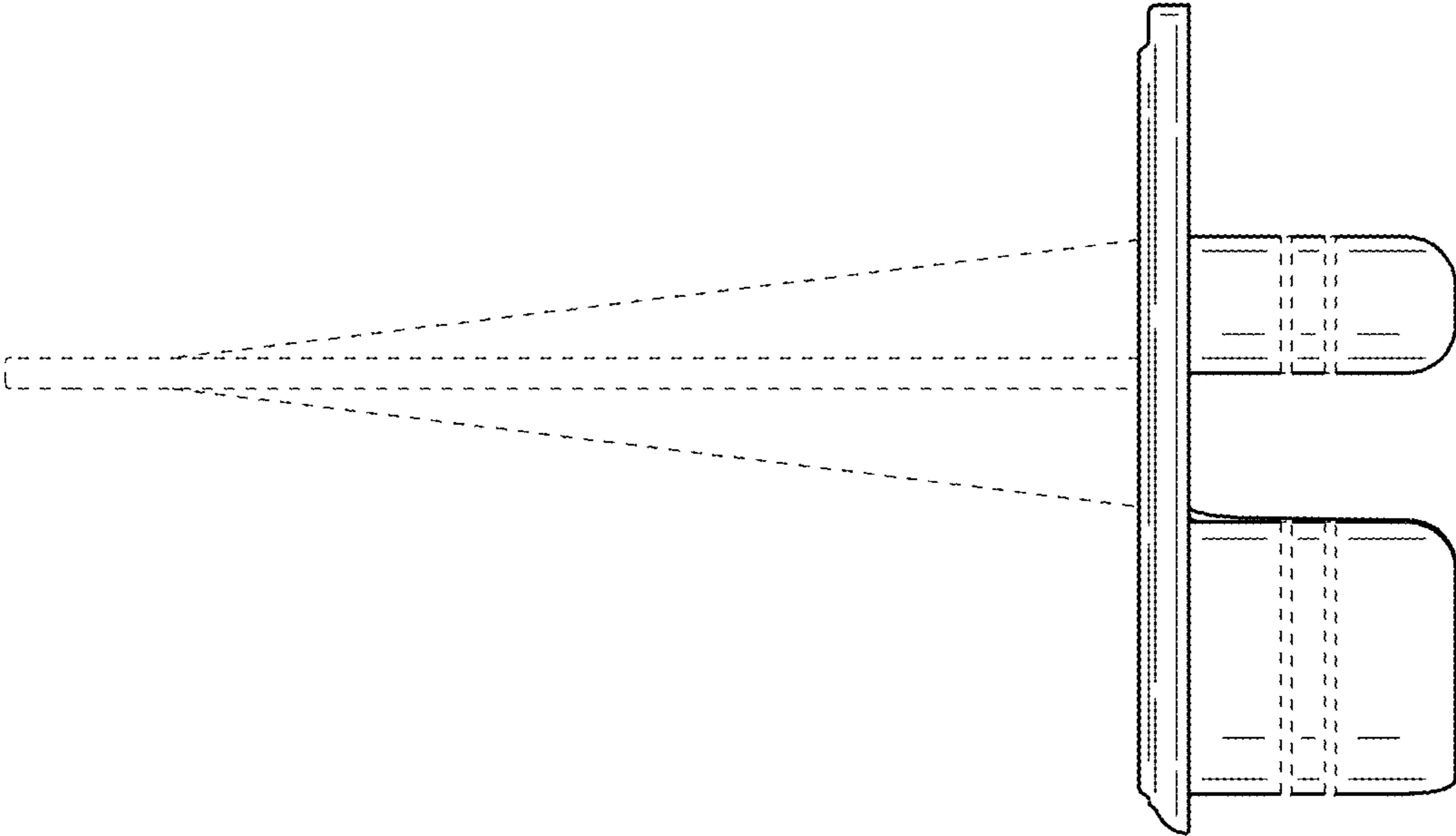


FIG. 6



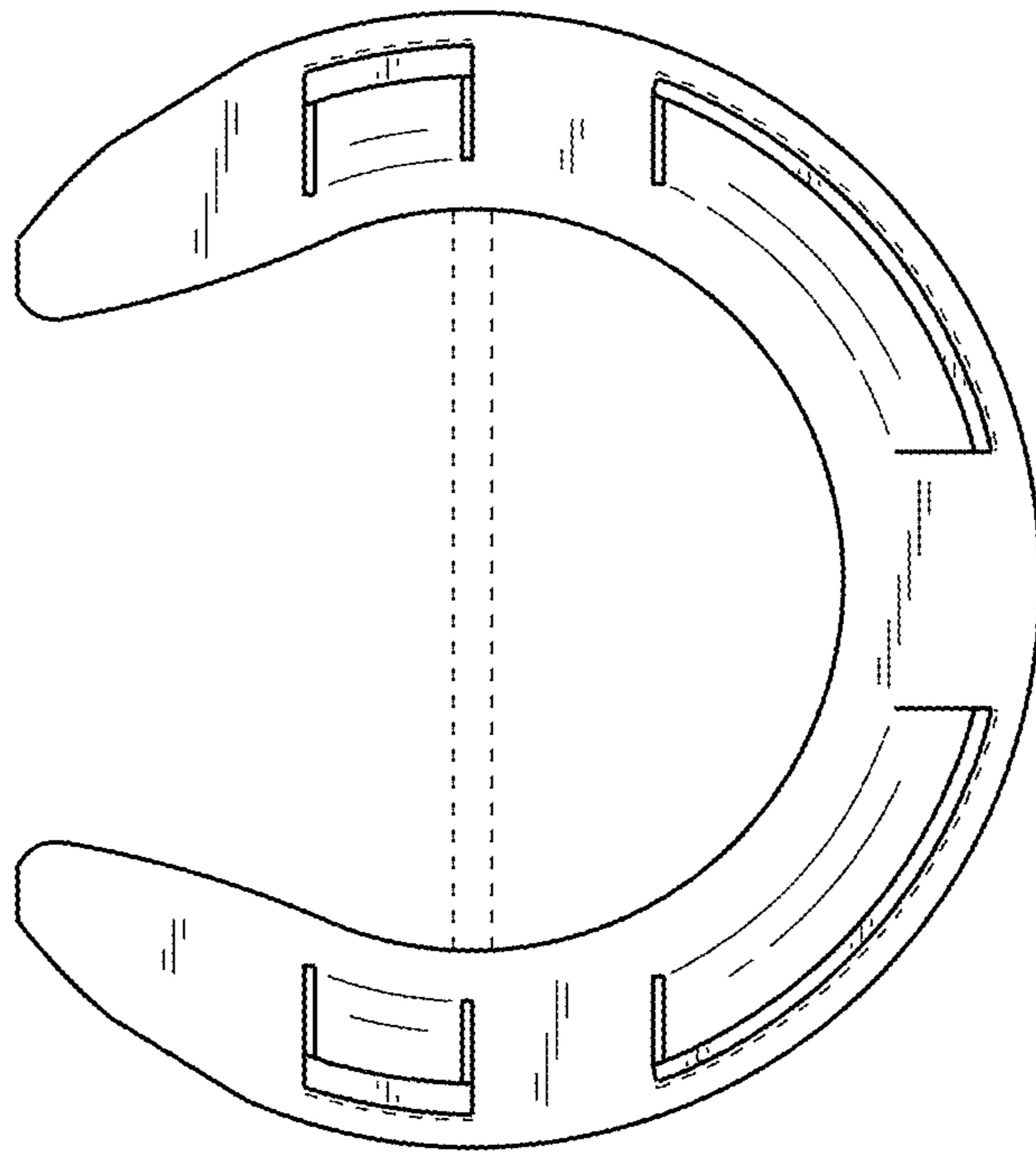


FIG. 8

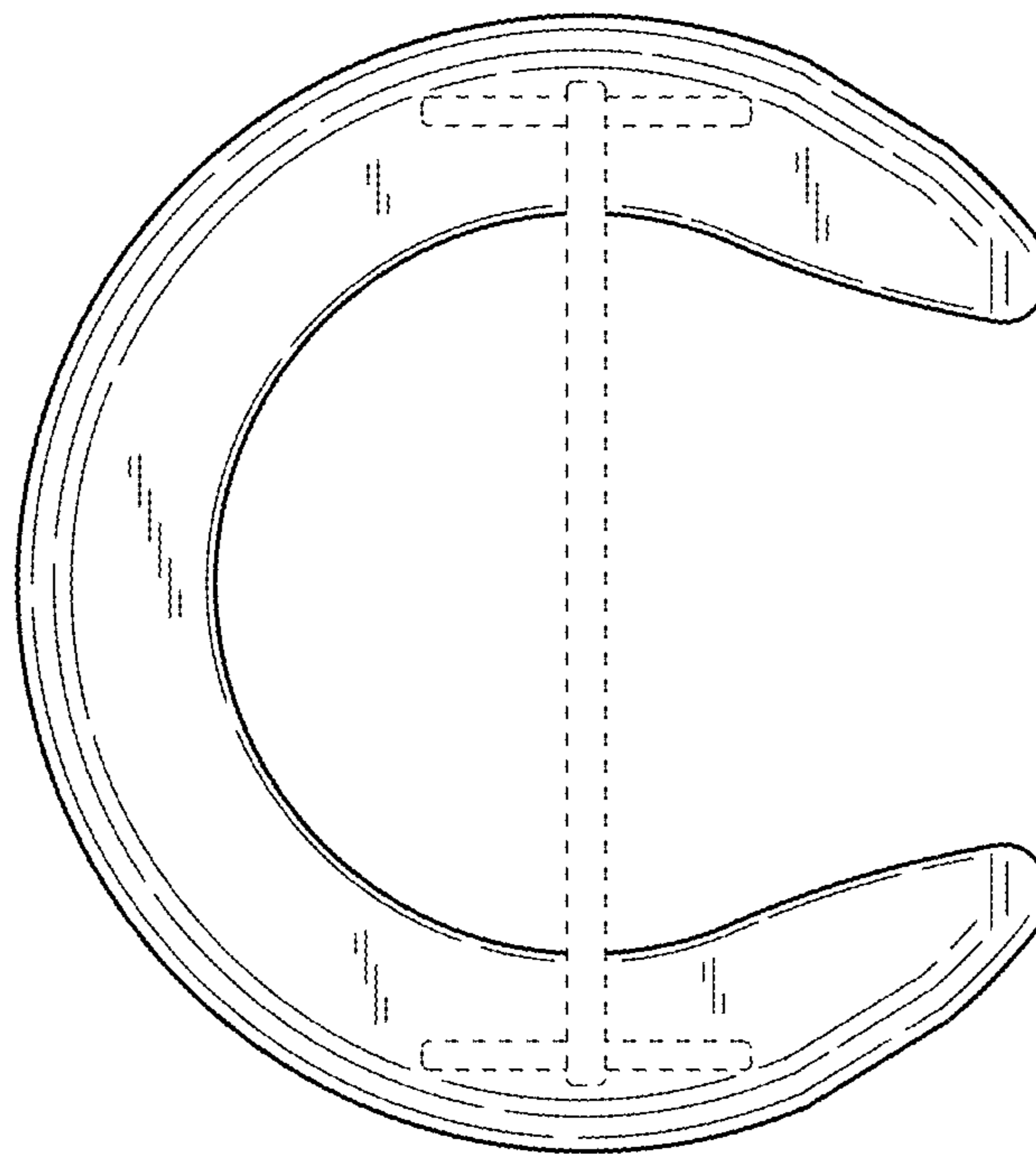


FIG. 7