



US00D956592S

(12) **United States Design Patent** (10) **Patent No.:** **US D956,592 S**
Taguchi et al. (45) **Date of Patent:** **** Jul. 5, 2022**

(54) **FLOWMETER**
 (71) Applicant: **Yokogawa Electric Corporation,**
 Tokyo (JP)
 (72) Inventors: **Masaya Taguchi,** Musashino (JP);
Kentarou Yamada, Musashino (JP);
Yuudai Hirai, Musashino (JP); **Hiroki**
Watanabe, Musashino (JP)

D349,862 S * 8/1994 Hausler D10/96
 D350,491 S * 9/1994 Hausler D10/96
 D358,783 S * 5/1995 Nemoto D10/96
 D675,121 S * 1/2013 Azuma D10/96
 D685,661 S * 7/2013 Fukano D10/96
 D687,730 S * 8/2013 Fukano D10/96
 D940,578 S * 1/2022 Jungen D10/96
 2015/0082880 A1 * 3/2015 Allen G01F 15/00
 73/273
 2016/0116316 A1 * 4/2016 Kissling G01F 1/66
 73/861.25
 2020/0173829 A1 * 6/2020 Bell G01F 1/8468
 2021/0223077 A1 * 7/2021 Liu H05K 1/181
 2022/0065674 A1 * 3/2022 Laila G01F 1/8459

(**) Term: **15 Years**
 (21) Appl. No.: **35/511,718**

* cited by examiner

(22) Filed: **Oct. 23, 2020**

Primary Examiner — George D. Kirschbaum

(80) **Hague Agreement Data**
 Int. Filing Date: **Oct. 23, 2020**
 Int. Reg. No.: **DM/211125**
 Int. Reg. Date: **Oct. 23, 2020**
 Int. Reg. Pub. Date: **Apr. 23, 2021**

(57) **CLAIM**

The ornamental design for a flowmeter, as shown and described.

(51) **LOC (13) Cl.** **10-04**
 (52) **U.S. Cl.**
 USPC **D10/96**
 (58) **Field of Classification Search**
 USPC D10/96
 CPC ... G01F 1/84; G01F 1/66; G01F 15/06; G01F
 15/14; H01R 13/56
 See application file for complete search history.

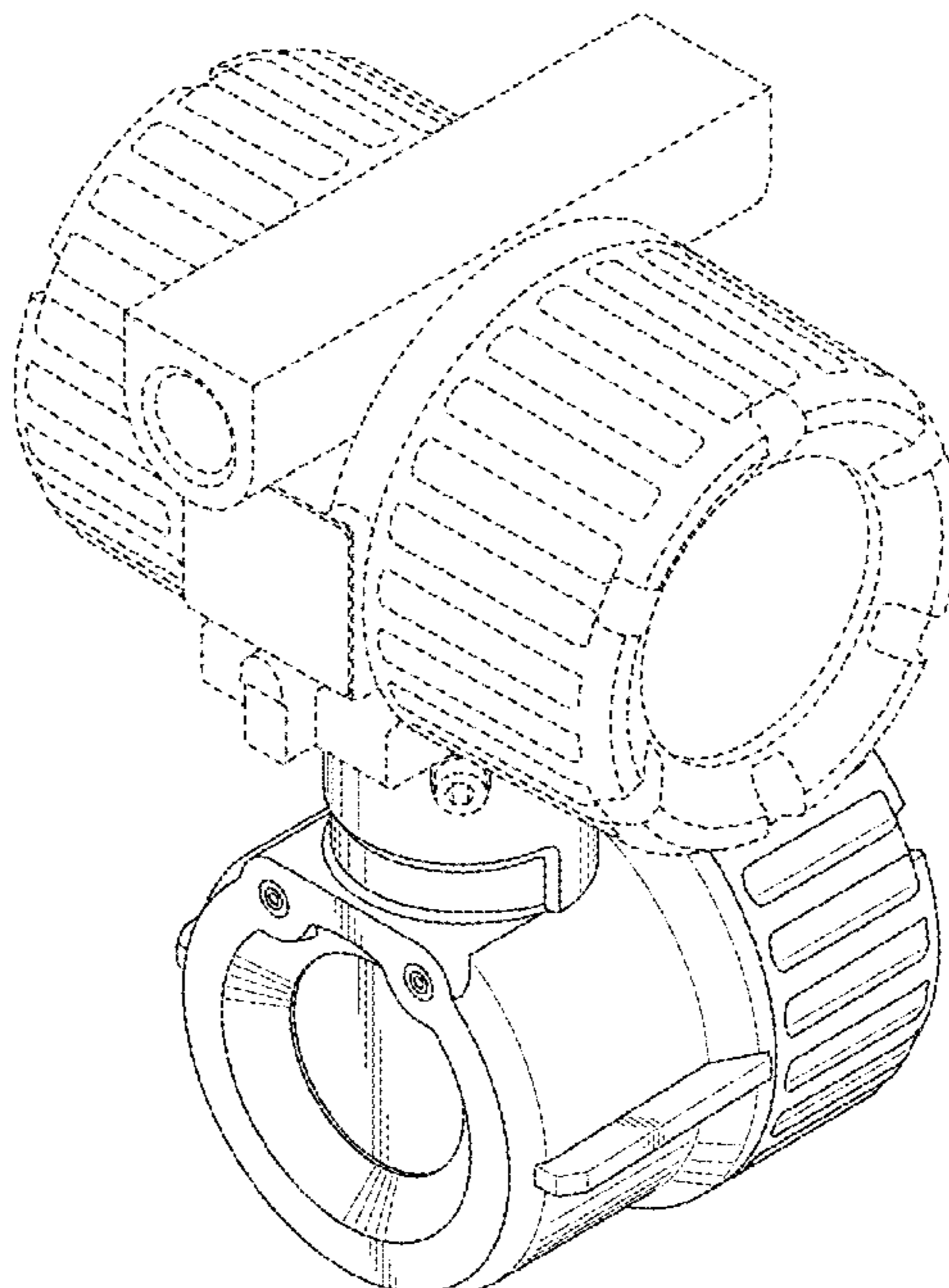
DESCRIPTION

- 1. Flowmeter
- 1.1 : Perspective
- 1.2 : Perspective
- 1.3 : Front
- 1.4 : Back
- 1.5 : Top
- 1.6 : Bottom
- 1.7 : Left
- 1.8 : Right

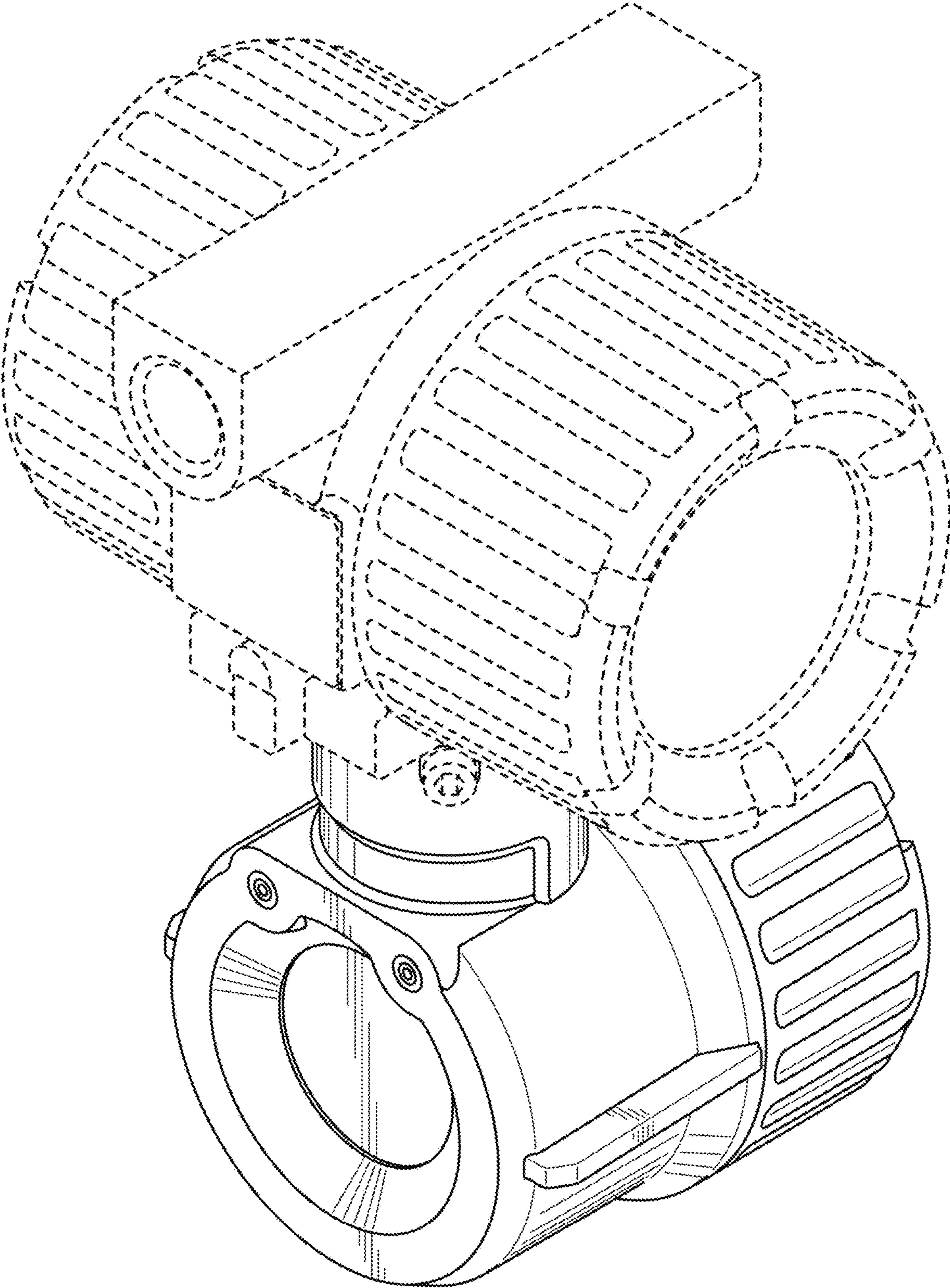
The broken lines do not form a part of the claimed design; the present article is a flowmeter detecting a signal from the detector, measuring the flow rate and mass of a fluid (liquid, gas) from the signal, and outputting and displaying the measured value.

(56) **References Cited**
 U.S. PATENT DOCUMENTS
 D302,397 S * 7/1989 Mesnard D10/96
 D340,876 S * 11/1993 Shipman D10/99
 D343,364 S * 1/1994 Beulke D10/103
 D343,365 S * 1/1994 Beulke D10/103

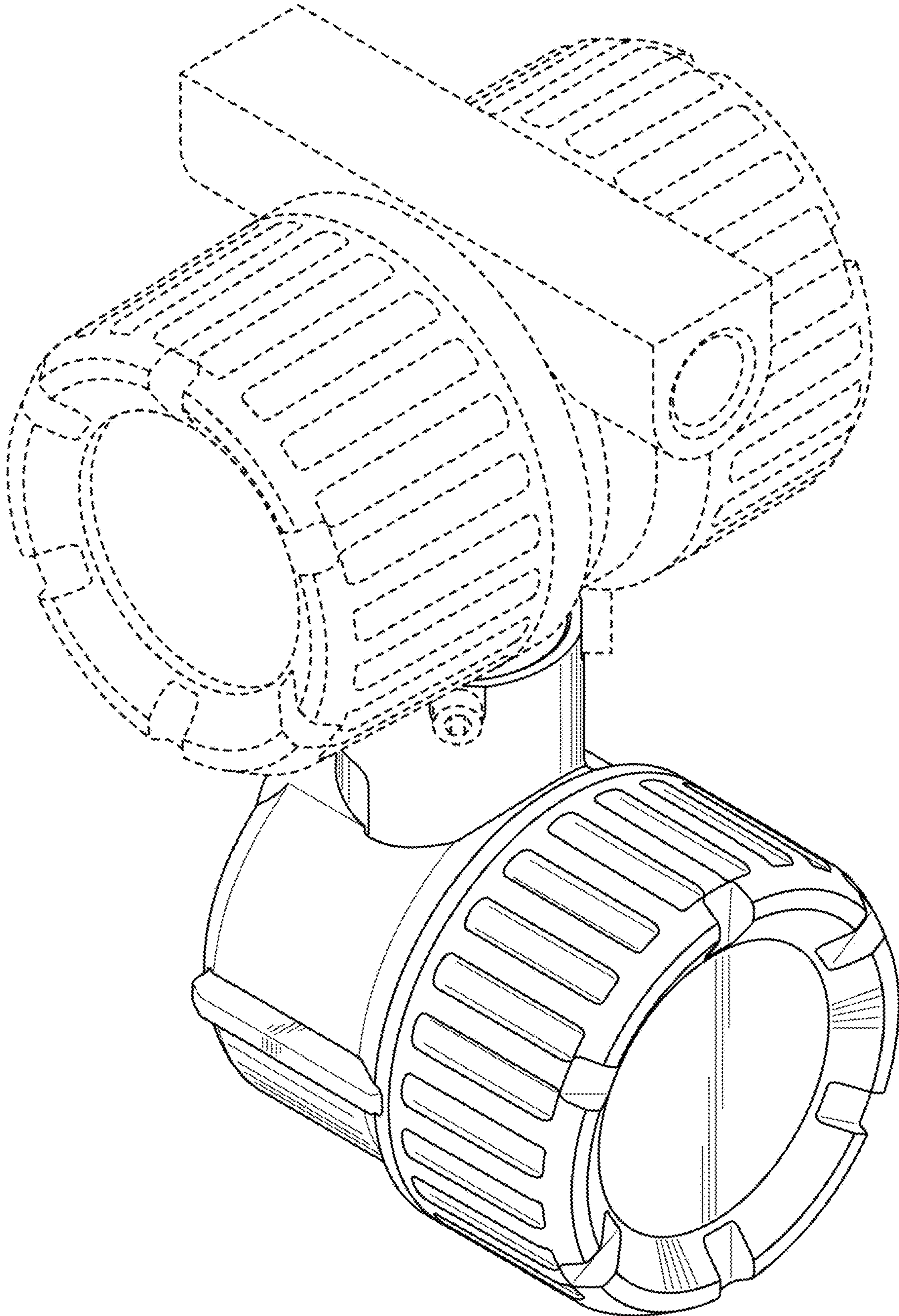
1 Claim, 8 Drawing Sheets



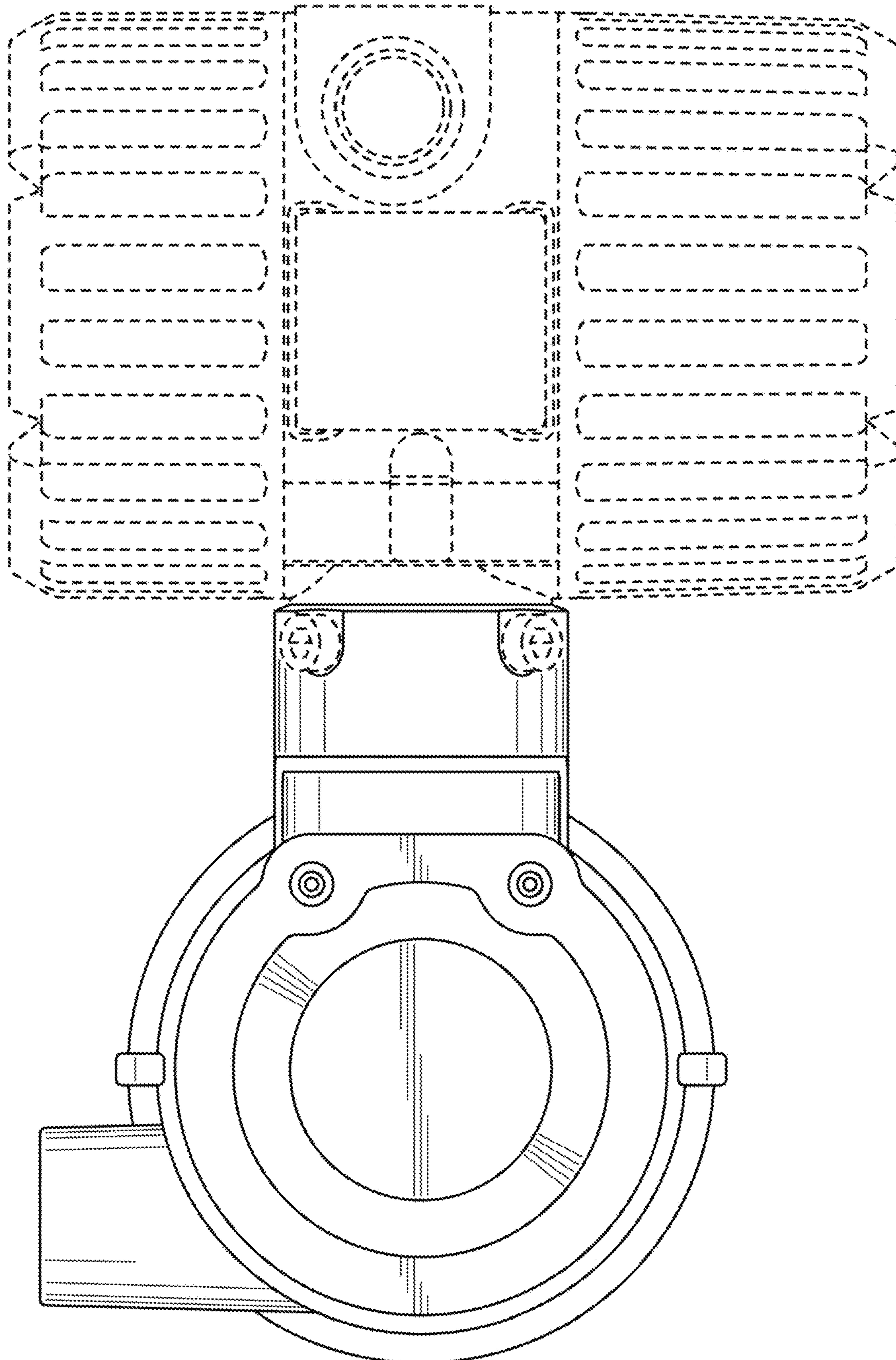
1.1



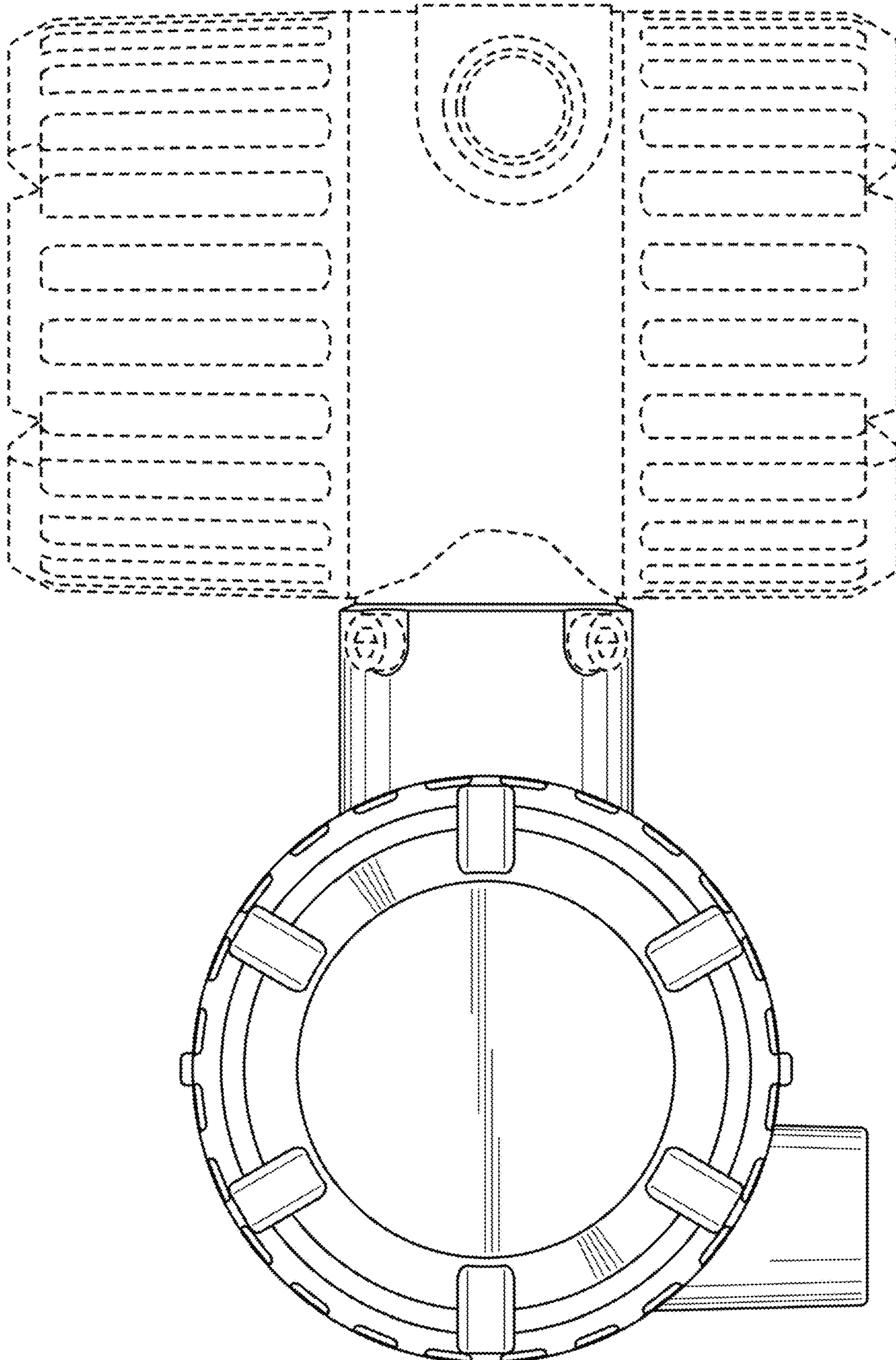
1.2



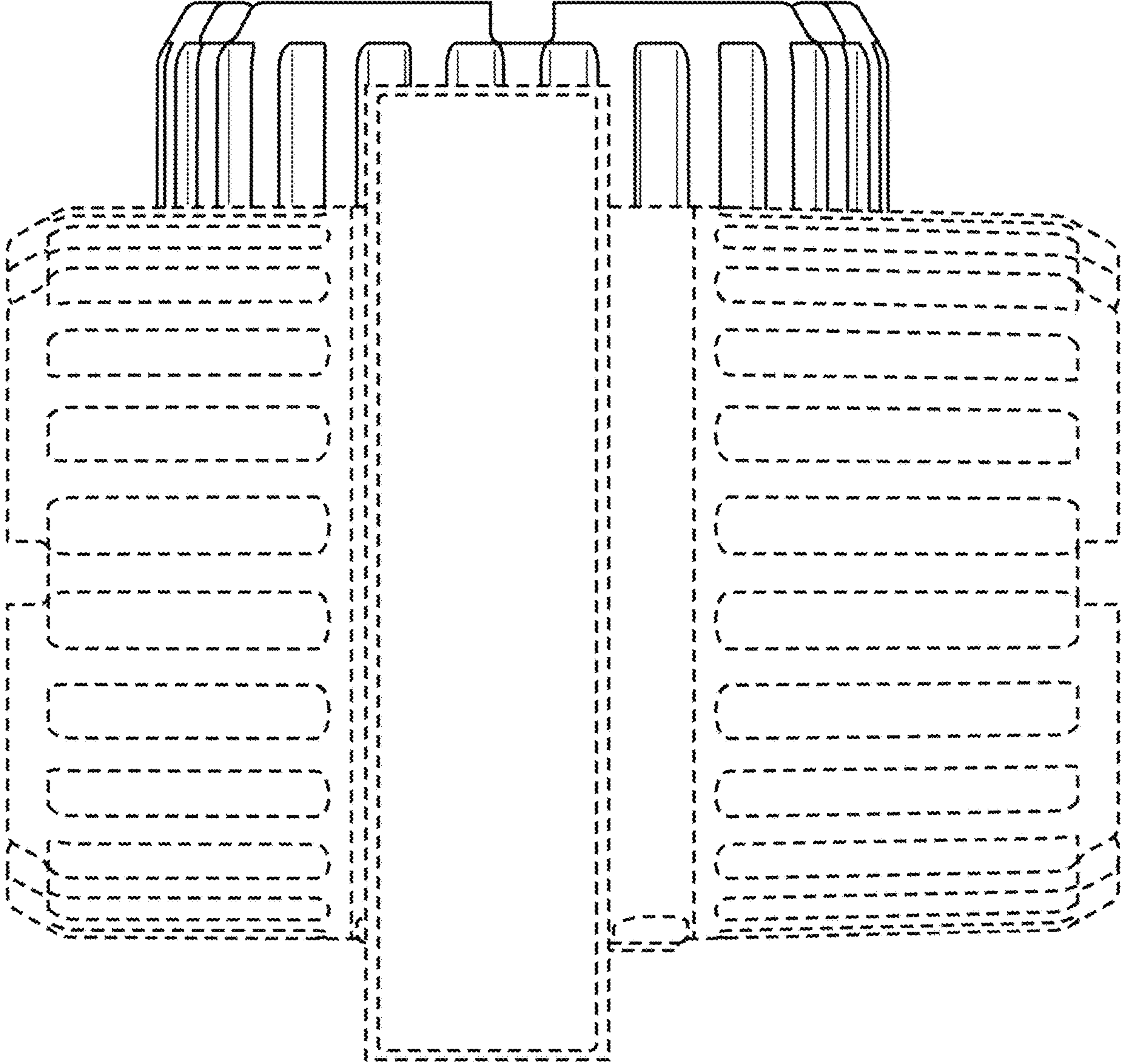
1.3



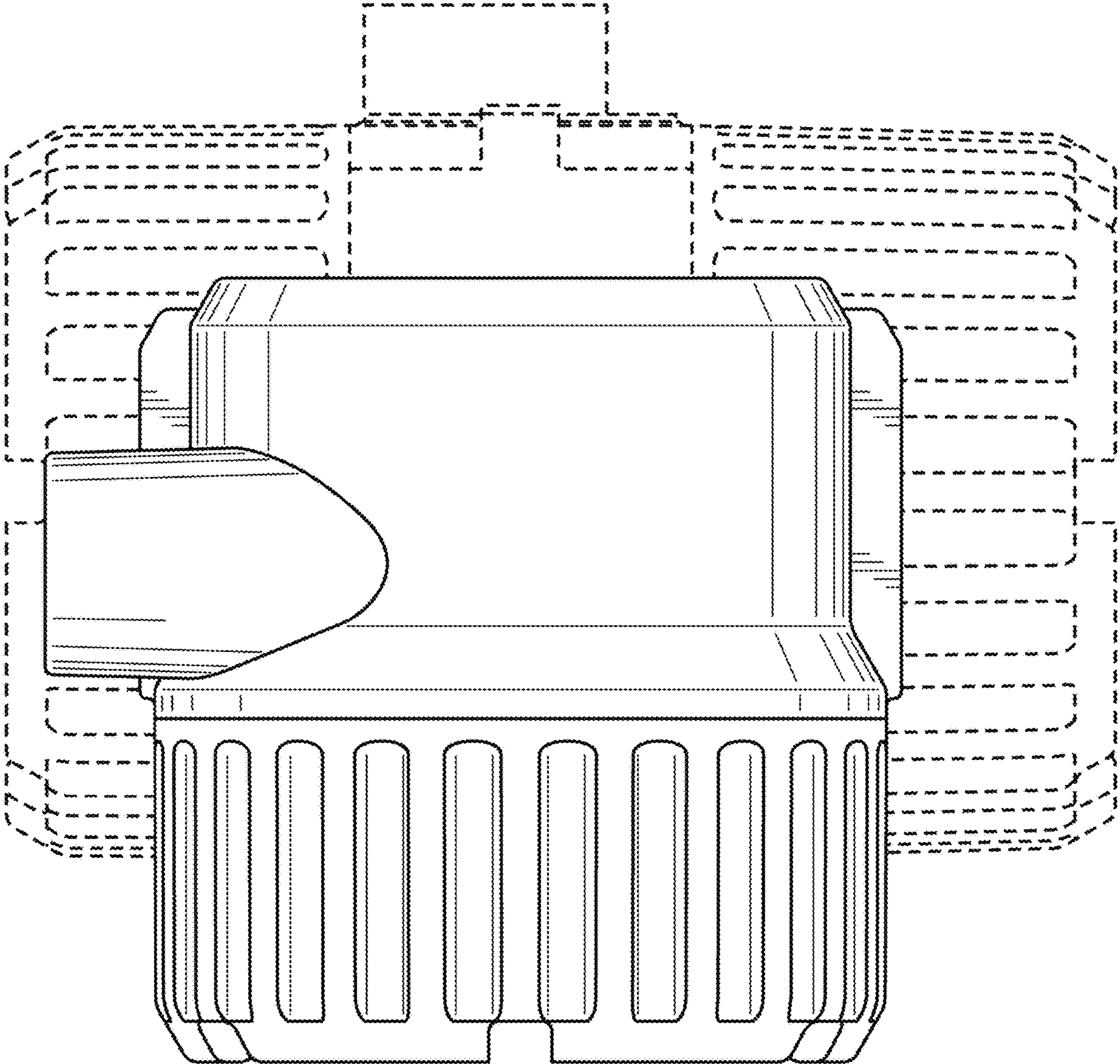
1.4



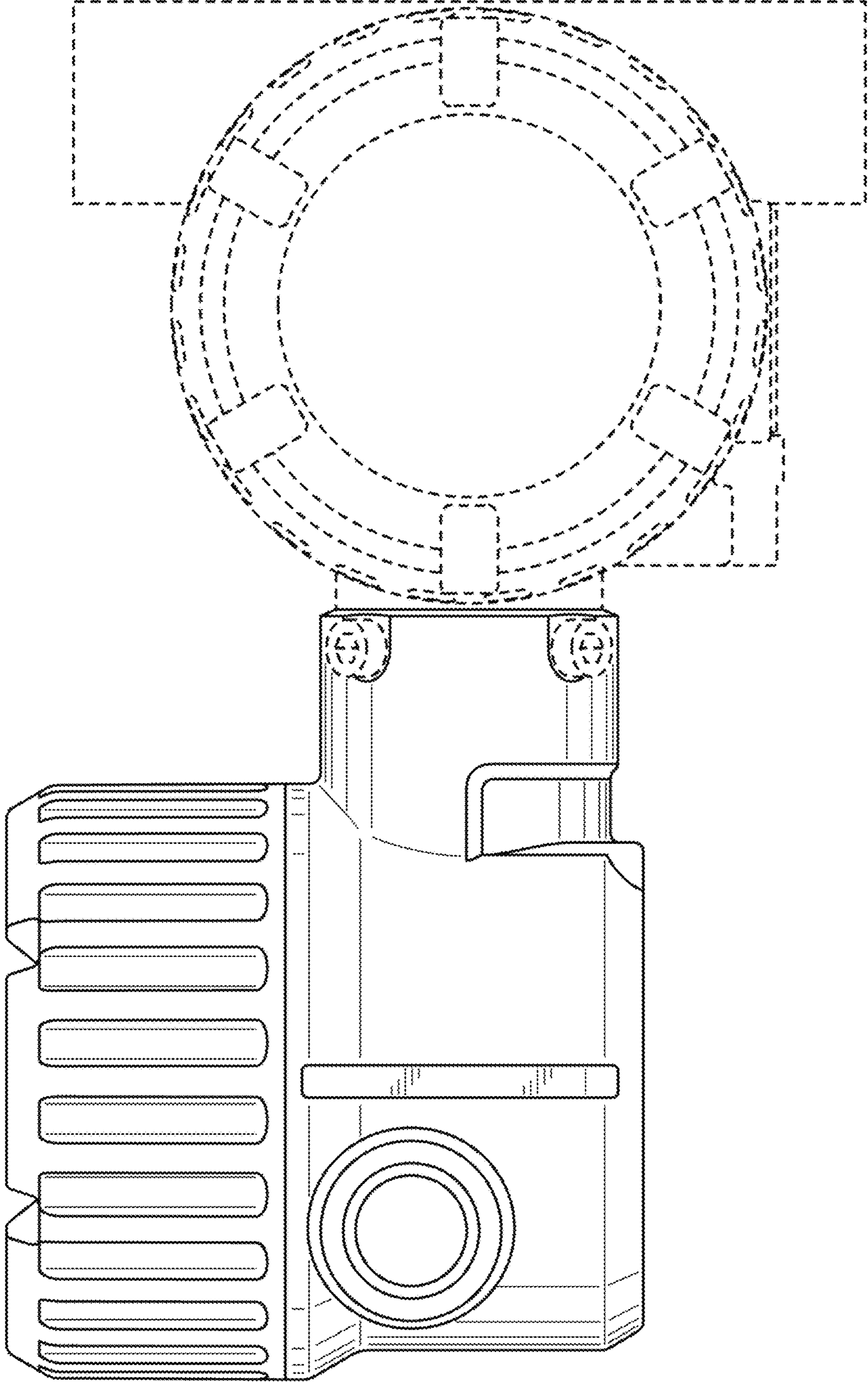
1.5



1.6



1.7



1.8

