



US00D956589S

(12) **United States Design Patent**
Li

(10) **Patent No.:** **US D956,589 S**
(45) **Date of Patent:** **** Jul. 5, 2022**

- (54) **DIGITAL MANIFOLD PRESSURE TESTER**
- (71) Applicant: **Shaoqiang Li**, Guangzhou (CN)
- (72) Inventor: **Shaoqiang Li**, Guangzhou (CN)
- (**) Term: **15 Years**
- (21) Appl. No.: **29/750,323**
- (22) Filed: **Sep. 13, 2020**
- (51) **LOC (13) Cl.** **10-04**
- (52) **U.S. Cl.**
USPC **D10/78; D10/96**
- (58) **Field of Classification Search**
USPC D10/78, 96
CPC G01D 5/00; G06F 1/166; G06F 1/1656;
G06F 1/1626; G06F 1/1609; G06F 1/637;
G06F 3/03547; G06F 3/04842; G06F
3/04817; G06F 21/00; G06F 17/00;
G01M 17/00; G01M 3/02; G01M 3/28;
G01M 17/007; G01M 15/05; G01M
3/3209; G01M 3/26; G01R 31/007; G01R
31/3648; G01R 31/3693; G01R 31/3627;
G01R 31/31907; G01R 31/319; G01R
31/28; F17D 1/08; F02P 17/08; G07C
2205/02; G07C 5/00; G07C 5/002; G07C
5/004; G07C 5/006; G07C 5/008; G07C
5/02; G07C 5/04; G07C 5/06; G07C
5/08; G07C 5/0808; G07C 5/0816; G07C
5/0825; G07C 5/0833; G07C 5/0841;
G07C 5/085; G07C 5/0858; G07C
5/0866; G07C 5/0875; G07C 5/0883;
G07C 5/0891; G07C 3/00; G08B 21/187;
G08B 21/182; G05B 15/02; F16M 13/02;
F16B 1/00; F16B 2001/0035; G01N 3/12;
G01N 2203/0048

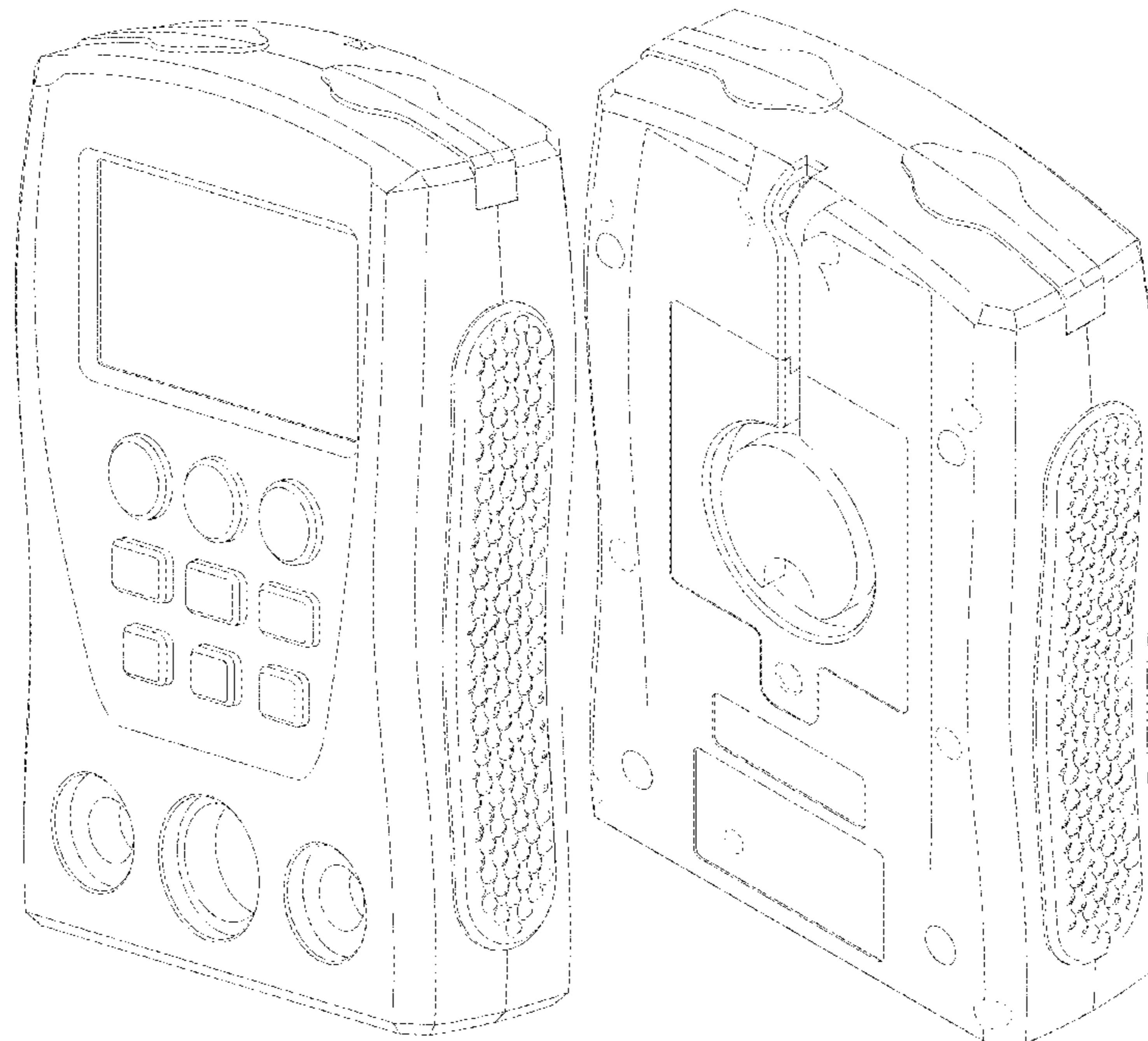
See application file for complete search history.

- (56) **References Cited**
U.S. PATENT DOCUMENTS
5,875,413 A * 2/1999 Vinci G01D 21/02
73/431
D695,139 S * 12/2013 Kent G01M 3/3209
D10/78
9,973,665 B2 * 5/2018 Saha F16M 13/02
2001/0002552 A1 * 6/2001 Vinci G01D 21/02
73/753
2021/0404926 A1 * 12/2021 Milholland G01M 3/3209
* cited by examiner
Primary Examiner — Antoine Duval Davis

(57) **CLAIM**
The ornamental design for a digital manifold pressure tester, as shown and described.

DESCRIPTION
FIG. 1 is a perspective view of a digital manifold pressure tester, showing my new design;
FIG. 2 is Back perspective view thereof;
FIG. 3 is Front view thereof;
FIG. 4 is Back view thereof;
FIG. 5 is a Right-side view thereof;
FIG. 6 is a Left-side view thereof;
FIG. 7 is a Top view thereof; and,
FIG. 8 is a Bottom view thereof.
The broken line showing of the digital manifold pressure tester is for the purpose of illustrating article and forms no part of the claimed design.

1 Claim, 8 Drawing Sheets



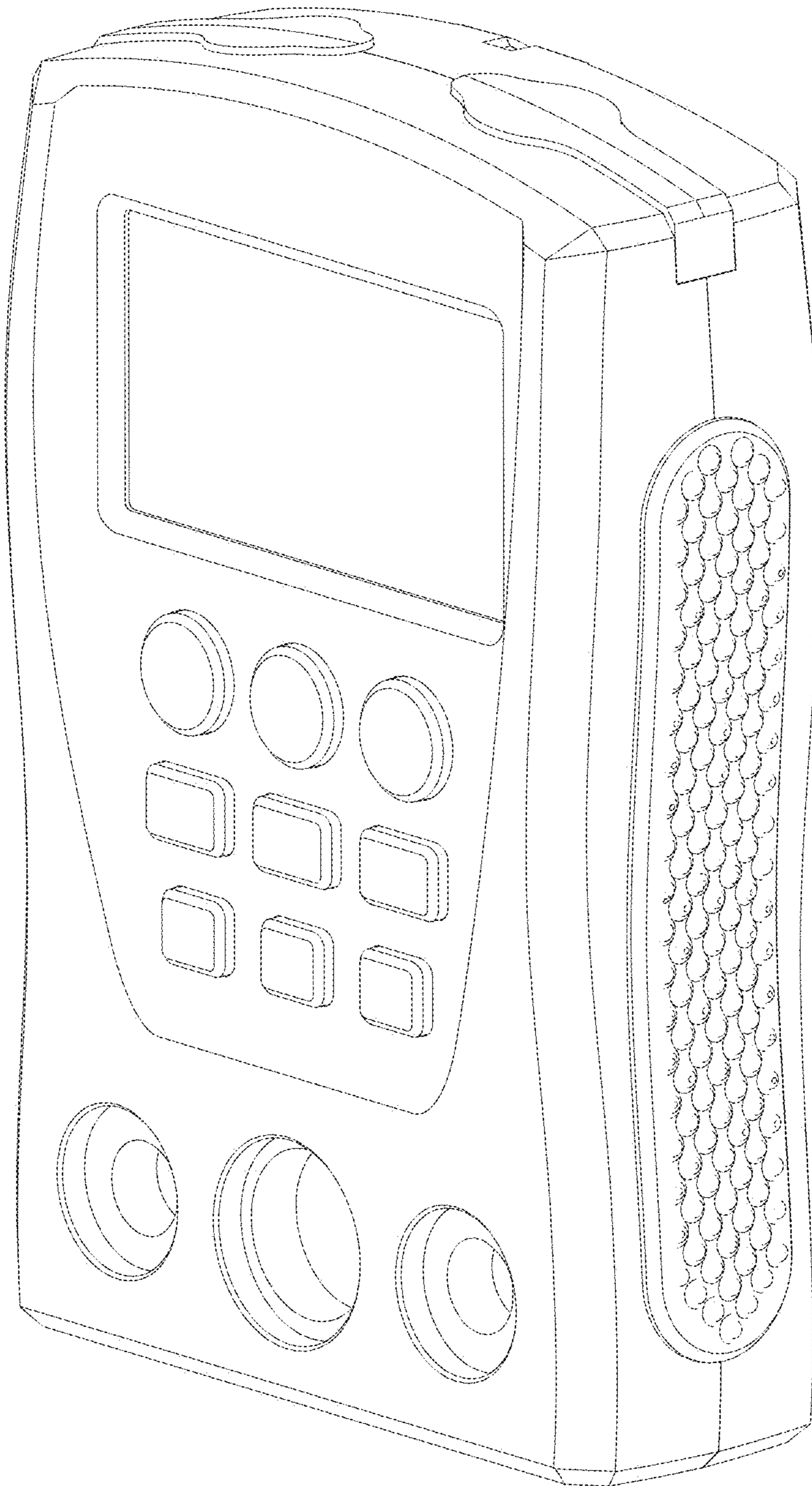


FIG. 1

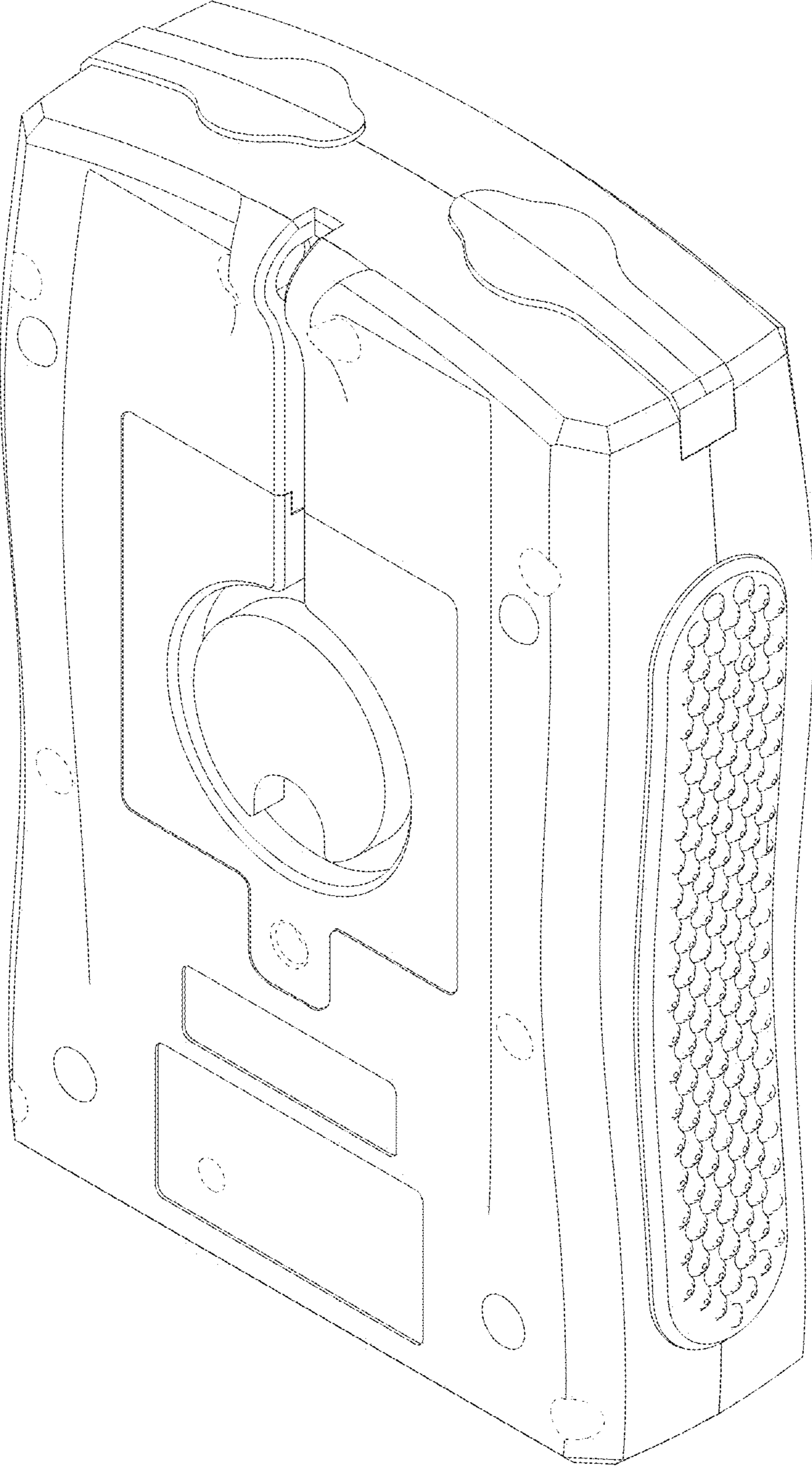


FIG. 2

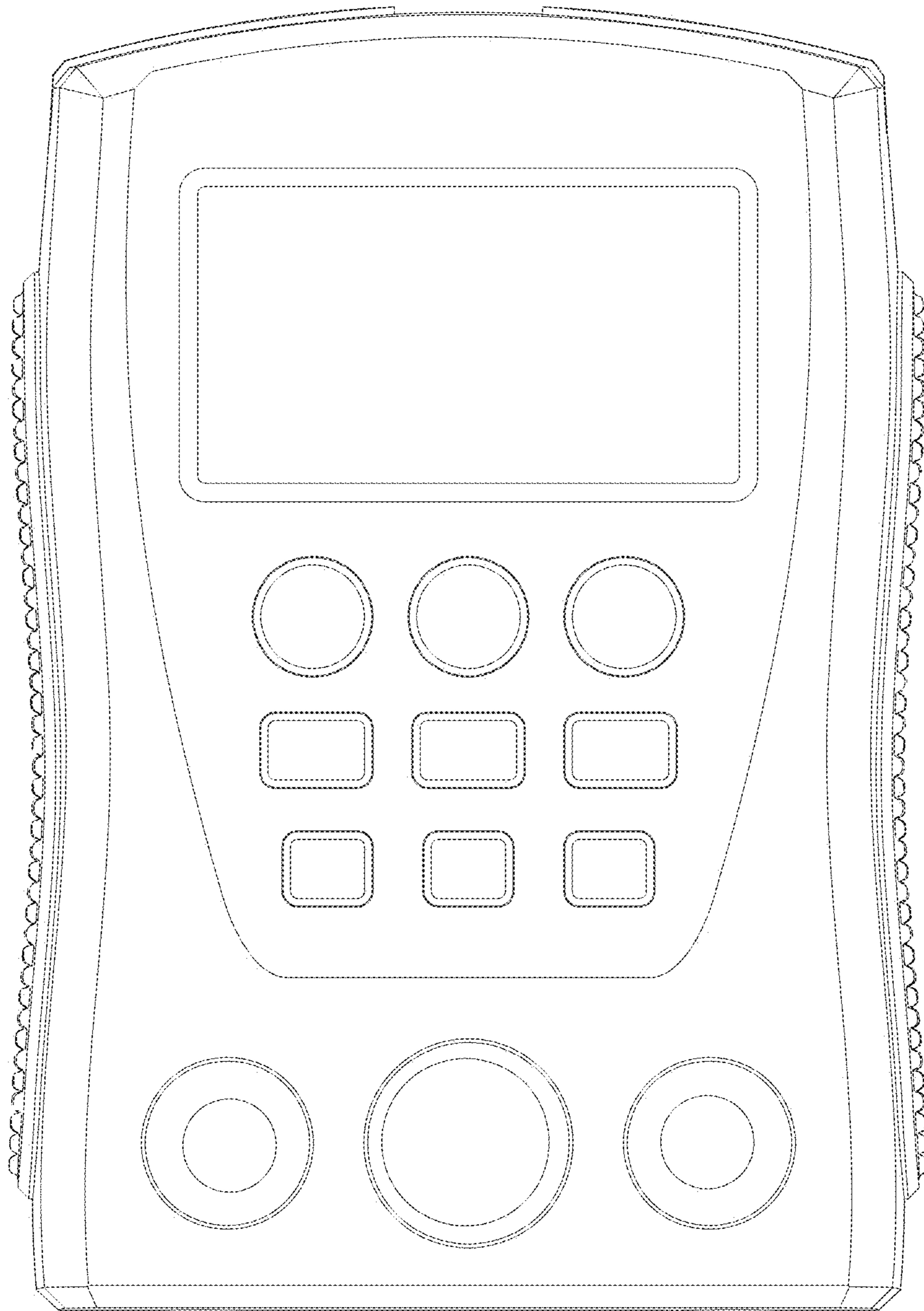


FIG. 3

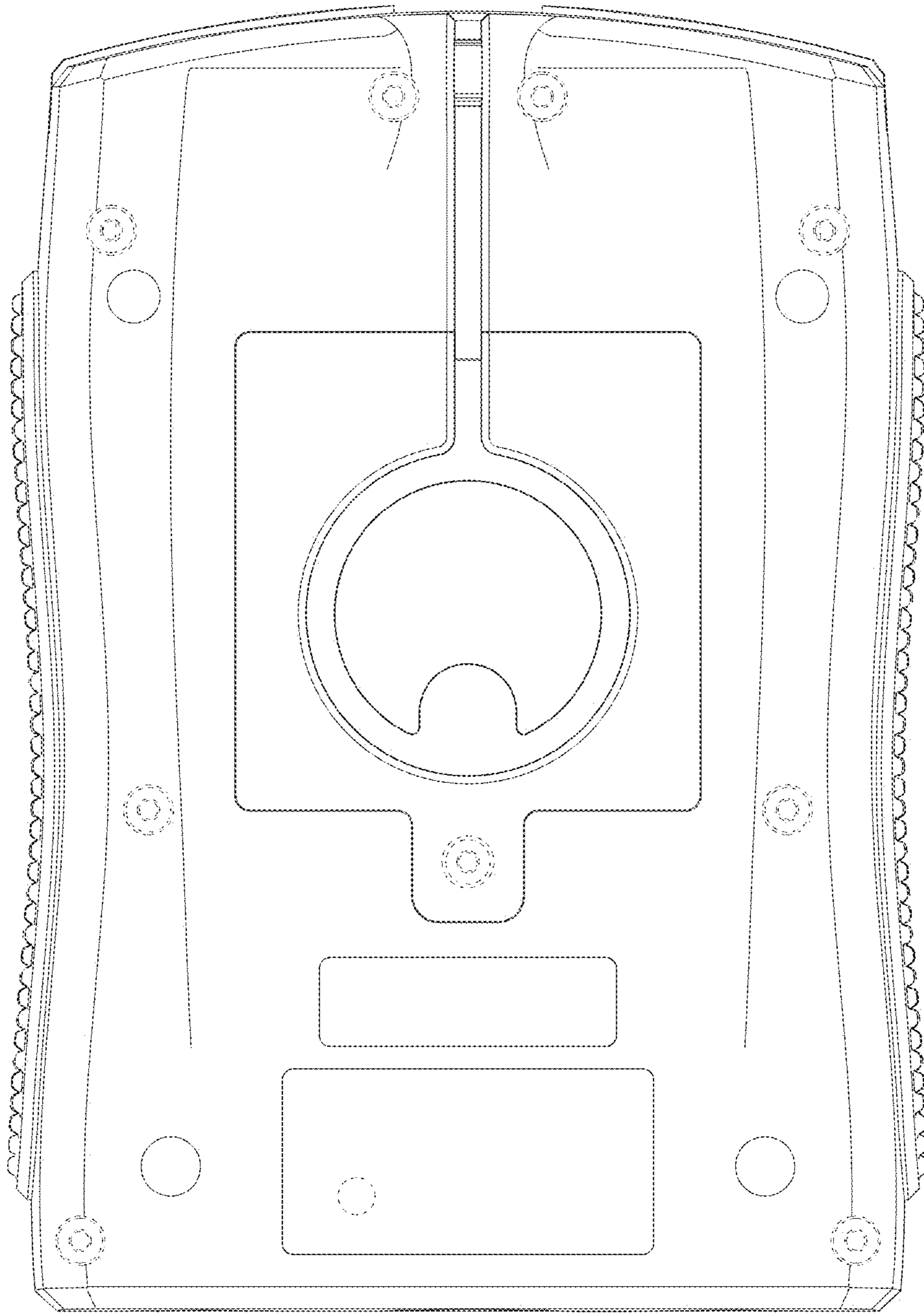


FIG. 4

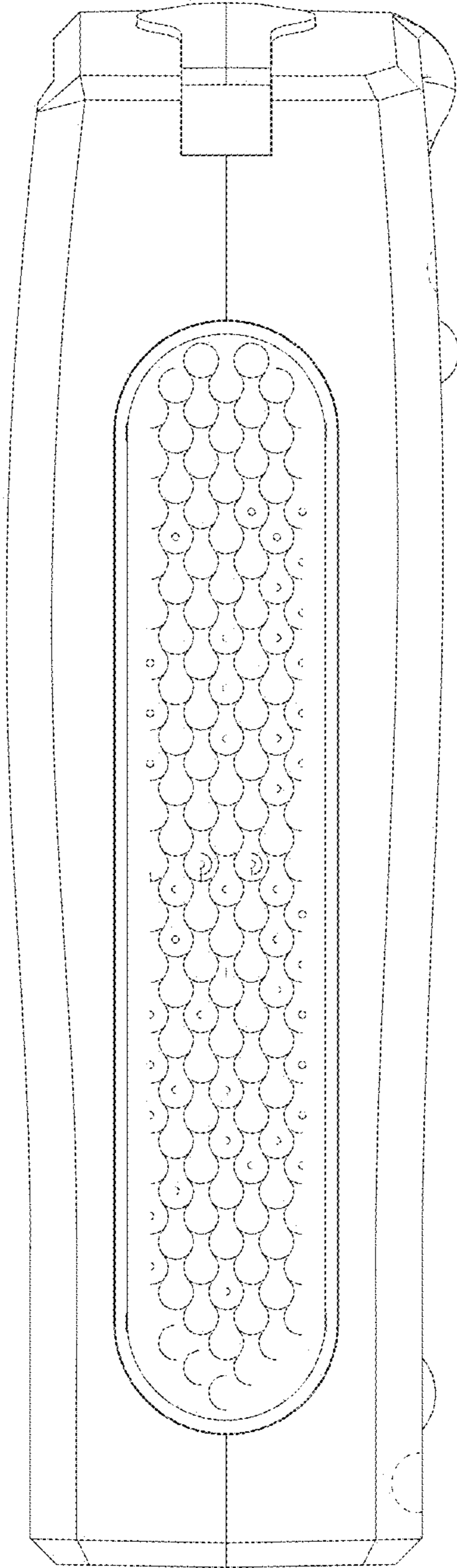


FIG. 5

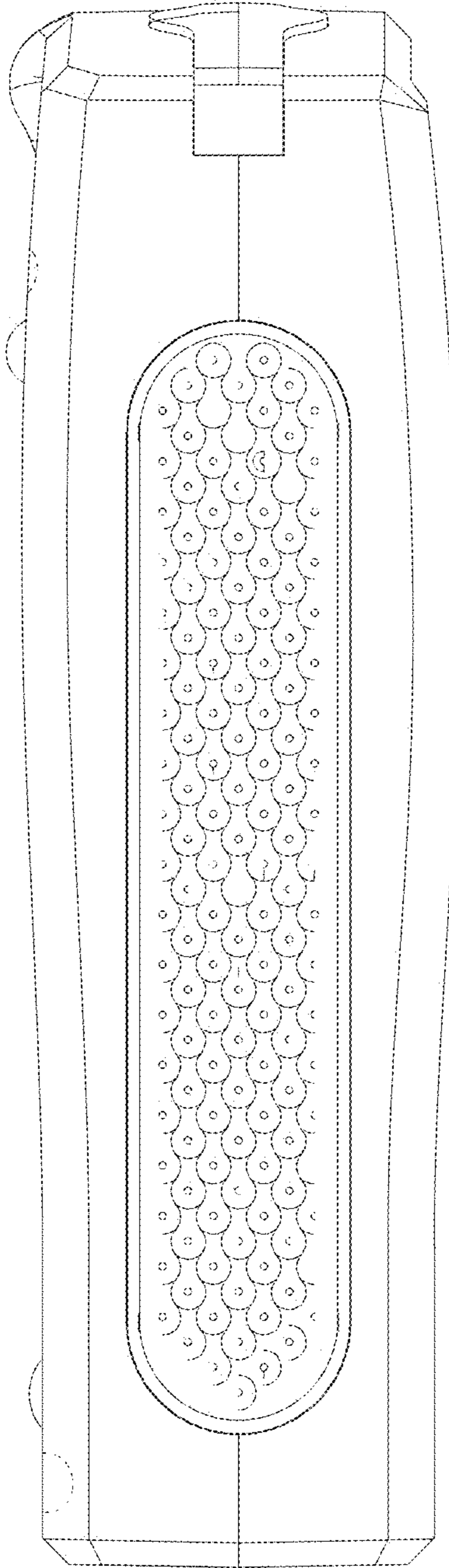


FIG. 6

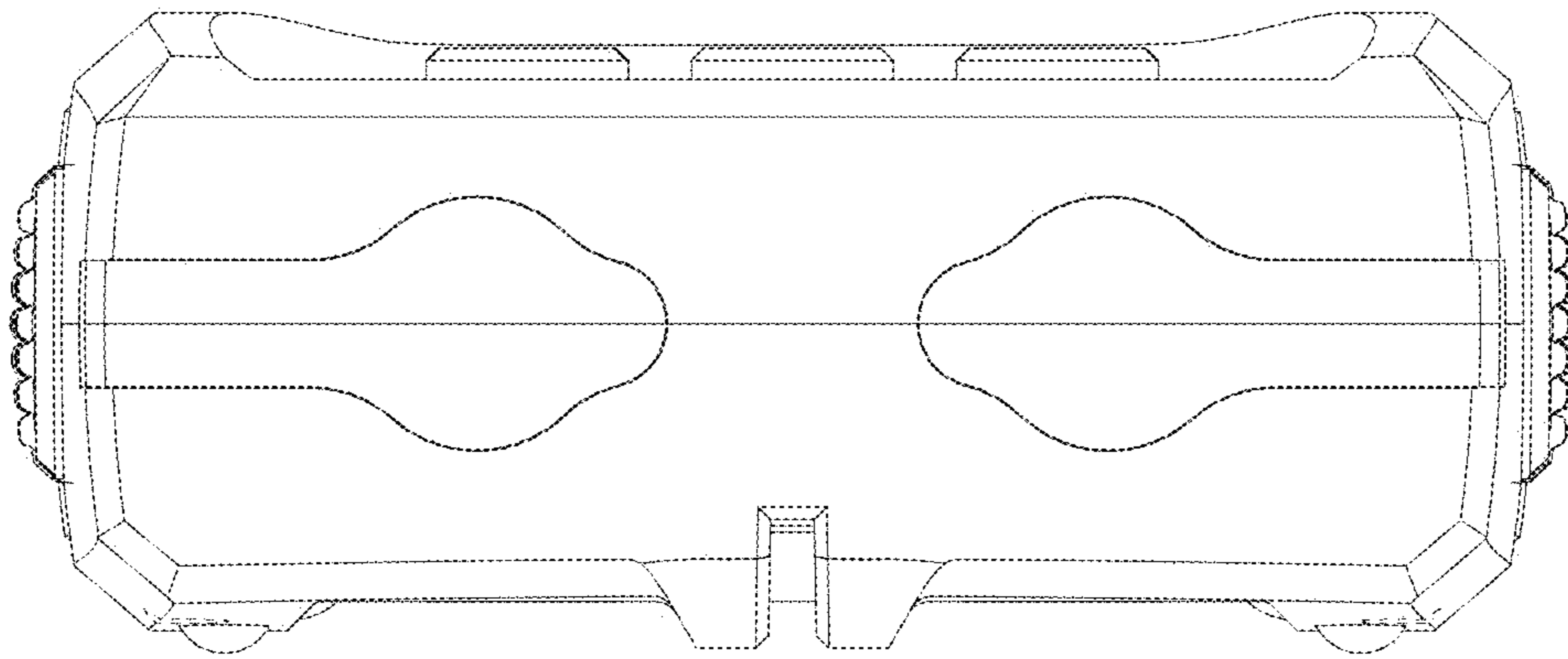


FIG. 7

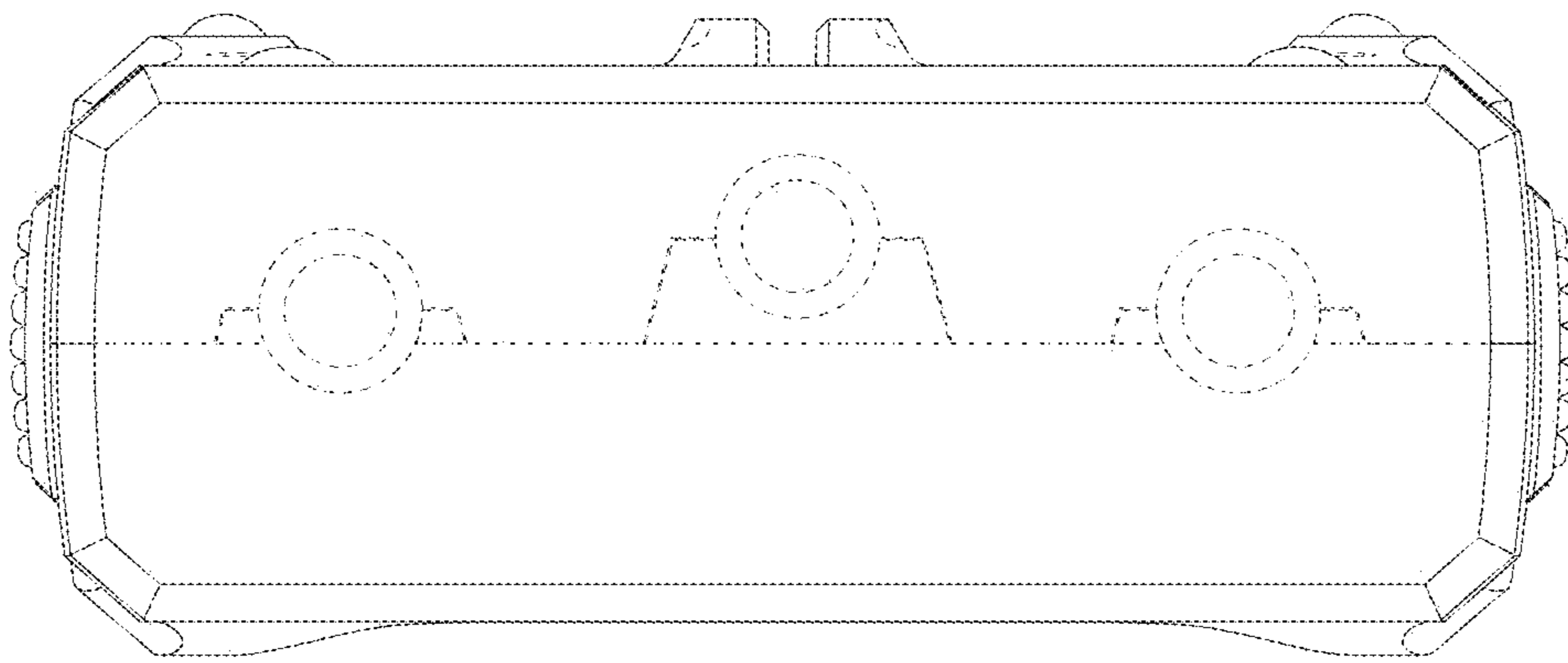


FIG. 8