



US00D956588S

(12) **United States Design Patent**
Nothacker et al.

(10) **Patent No.:** **US D956,588 S**
(45) **Date of Patent:** **** Jul. 5, 2022**

(54) **BIOMONITORING WRISTBAND**

- (71) Applicant: **KHN Solutions, Inc.**, San Francisco, CA (US)
- (72) Inventors: **Keith Harry Nothacker**, San Francisco, CA (US); **William Tammen**, San Francisco, CA (US); **Imraan Aziz**, San Francisco, CA (US); **Raymond Kampmeier**, San Francisco, CA (US)
- (73) Assignee: **KHN Solutions, Inc.**, San Francisco, CA (US)
- (**) Term: **15 Years**
- (21) Appl. No.: **29/753,780**
- (22) Filed: **Oct. 1, 2020**

Related U.S. Application Data

- (63) Continuation of application No. 29/688,151, filed on Apr. 18, 2019, now Pat. No. Des. 901,317.
- (51) **LOC (13) Cl.** **10-04**
- (52) **U.S. Cl.**
USPC **D10/70; D10/38**
- (58) **Field of Classification Search**
USPC D10/30-39, 70, 78, 97, 98; D11/3; D14/138 R, 203.5, 203.6, 203.7, 341, D14/344; D24/167, 186
(Continued)

(56) **References Cited**

U.S. PATENT DOCUMENTS

- D706,159 S * 6/2014 Ma D11/3
 - D715,675 S * 10/2014 Ma D11/3
- (Continued)

Primary Examiner — Antoine Duval Davis
(74) *Attorney, Agent, or Firm* — Jeffrey Schox; Caitlin Ploch

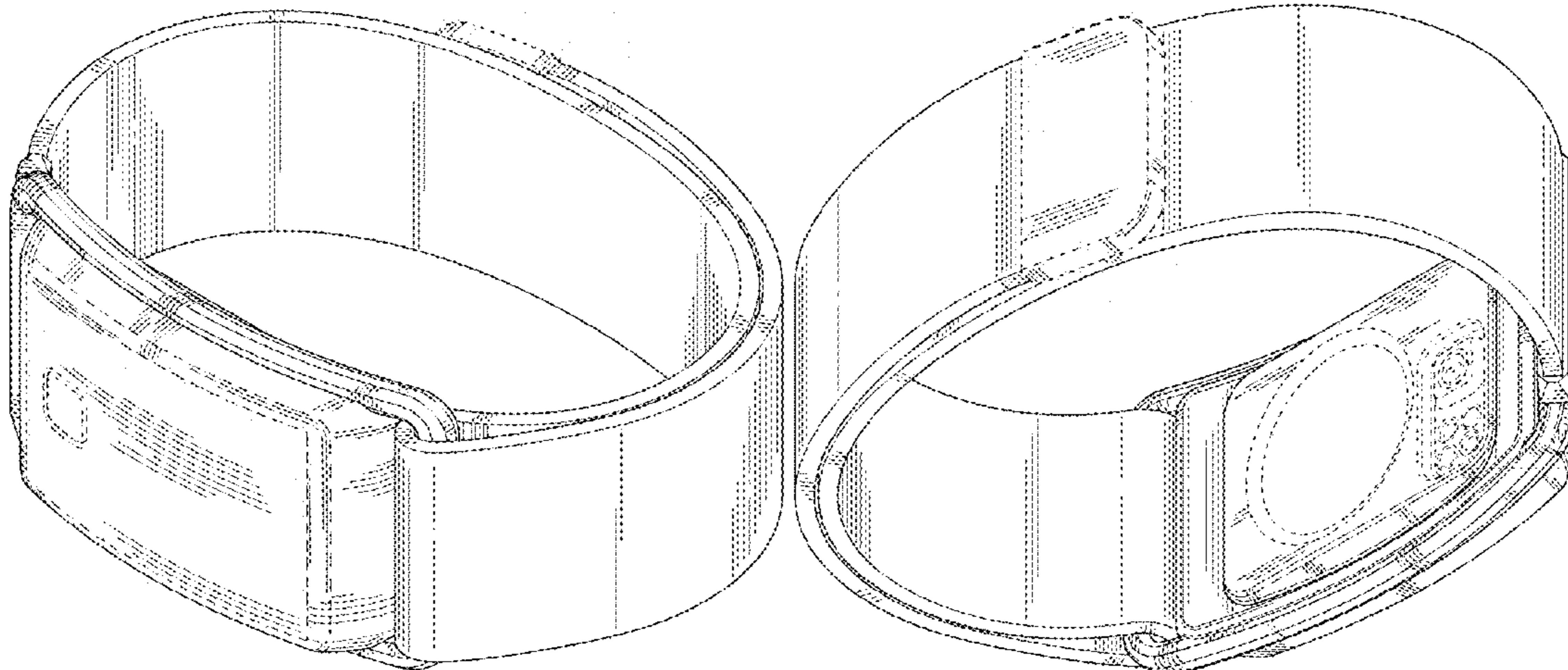
(57) **CLAIM**

The ornamental design for a biomonitoring wristband, as shown and described.

DESCRIPTION

FIG. 1 is an isometric view from the front, bottom, right of the biomonitoring wristband.
 FIG. 2 is an isometric view from the back, top, left of the biomonitoring wristband.
 FIG. 3 is an elevation view from the front of the biomonitoring wristband.
 FIG. 4 is an elevation view from the back of the biomonitoring wristband.
 FIG. 5 is an elevation view from the left of the biomonitoring wristband.
 FIG. 6 is an elevation view from the right of the biomonitoring wristband.
 FIG. 7 is a plan view from the top of the biomonitoring wristband.
 FIG. 8 is a plan view from the bottom of the biomonitoring wristband.
 FIG. 9 is an isometric view from the front, bottom, right of an exploded view of the biomonitoring wristband.
 FIG. 10 is an isometric view from the back, top, left of an exploded view of the biomonitoring wristband.
 FIG. 11 is an elevation view from the front of an exploded view of the biomonitoring wristband.
 FIG. 12 is an elevation view from the back of an exploded view of the biomonitoring wristband.
 FIG. 13 is an elevation view from the left of an exploded view of the biomonitoring wristband.
 FIG. 14 is an elevation view from the right of an exploded view of the biomonitoring wristband.
 FIG. 15 is a plan view from the top of a first element of the biomonitoring wristband.
 FIG. 16 is a plan view from the bottom of the first element of the biomonitoring wristband.
 FIG. 17 is a plan view from the top of a second element of the biomonitoring wristband.
 FIG. 18 is a plan view from the bottom of the second element of the biomonitoring wristband.
 FIG. 19 is a plan view from the top of a third element of the biomonitoring wristband; and,
 FIG. 20 is a plan view from the bottom of the third element of the biomonitoring wristband.
 The broken lines depict environment that forms no part of the claimed design.

1 Claim, 8 Drawing Sheets



(58) **Field of Classification Search**

CPC .. A44C 5/00-5/16; A44C 5/0015; A44C 5/02;
 A44C 5/14; G04B 37/00-37/228; G04B
 45/0069; G04B 47/04; G04B
 19/00-19/34; G04B 21/12; G04B 23/12;
 G04B 47/00-47/068; G04B 47/065;
 G04B 47/066; G04B 37/1486; G01C
 17/00; G01C 21/00-21/3697; G01C
 22/00-22/025; G01C 23/00-23/005;
 G01C 21/16; G06F 19/3481; G06F
 3/00-3/027; G06F 1/163; G06F 3/038;
 G06F 3/03547; G01P 1/00-1/26; G01P
 15/00-15/18; A63B 24/00-2024/0096;
 A63B 2213/00; A63B 69/0028; A63B
 2071/0658-2071/0666; A63B
 2220/00-2220/89; A63B 2225/02; A63B
 71/06; A63B 26/00; A63B 24/0075; A63B
 2071/0663; A63B 71/0686; A63B
 24/0062; A63B 24/0084; A63B
 2024/0068; A63B 2024/0078; A63B
 2024/0056; A63B 2071/0625; A63B
 2071/003; A63B 2071/063; A63B
 2071/065; A63B 2071/068; A63B
 2071/0675; A63B 2220/40; A63B
 2220/803; A63B 2220/12; A63B 2220/20;
 A63B 2220/22; A63B 2220/30; A63B
 2225/50; A63B 2225/06; A63B 2230/75;
 A63B 2024/0065; A63B 2024/0081;
 A63B 2220/51; A63B 2220/62; A63B

2220/836; A63C 11/02; A61B 5/0537;
 A61B 5/4872; A61B 5/6831; A61B
 5/4869; A61B 5/0858; A61B 5/1075;
 A61B 5/107; A61B 5/4875; A61B
 5/4878; A61B 5/4881; A61B
 5/61-5/6898; A61B 19/44; A61B
 2019/446; A61B 71/00; A61B 5/02416;
 A61B 5/1118; A61B 2/721; A61B 5/002;
 A61B 5/112; A61B 5/1122; A61B 5/746;
 A61B 5/6823; A61B 5/72; A61B 5/7445;
 A61B 5/0022; A61B 5/14532; G04R
 20/02; G04C 10/00; G04C 10/02; G08B
 21/0269; G08B 21/0272; G08B 21/0286;
 G08B 21/0288; G08B 21/0291; G08B
 21/04-21/2454; G01S 19/00-19/55;
 G04G 9/0064; G04G 9/0005; G04G
 17/00; G04G 17/08; G04G 17/04; G04G
 21/02; G04G 21/00; G04G 21/08; A41D
 1/02; G09F 3/005; G06Q 10/00; G06Q
 50/00; G09B 9/00; G09B 19/00; G04F
 10/00

See application file for complete search history.

(56)

References Cited

U.S. PATENT DOCUMENTS

D735,068 S * 7/2015 Garcia Pla D11/3
 D939,365 S * 12/2021 Nothacker D10/70

* cited by examiner

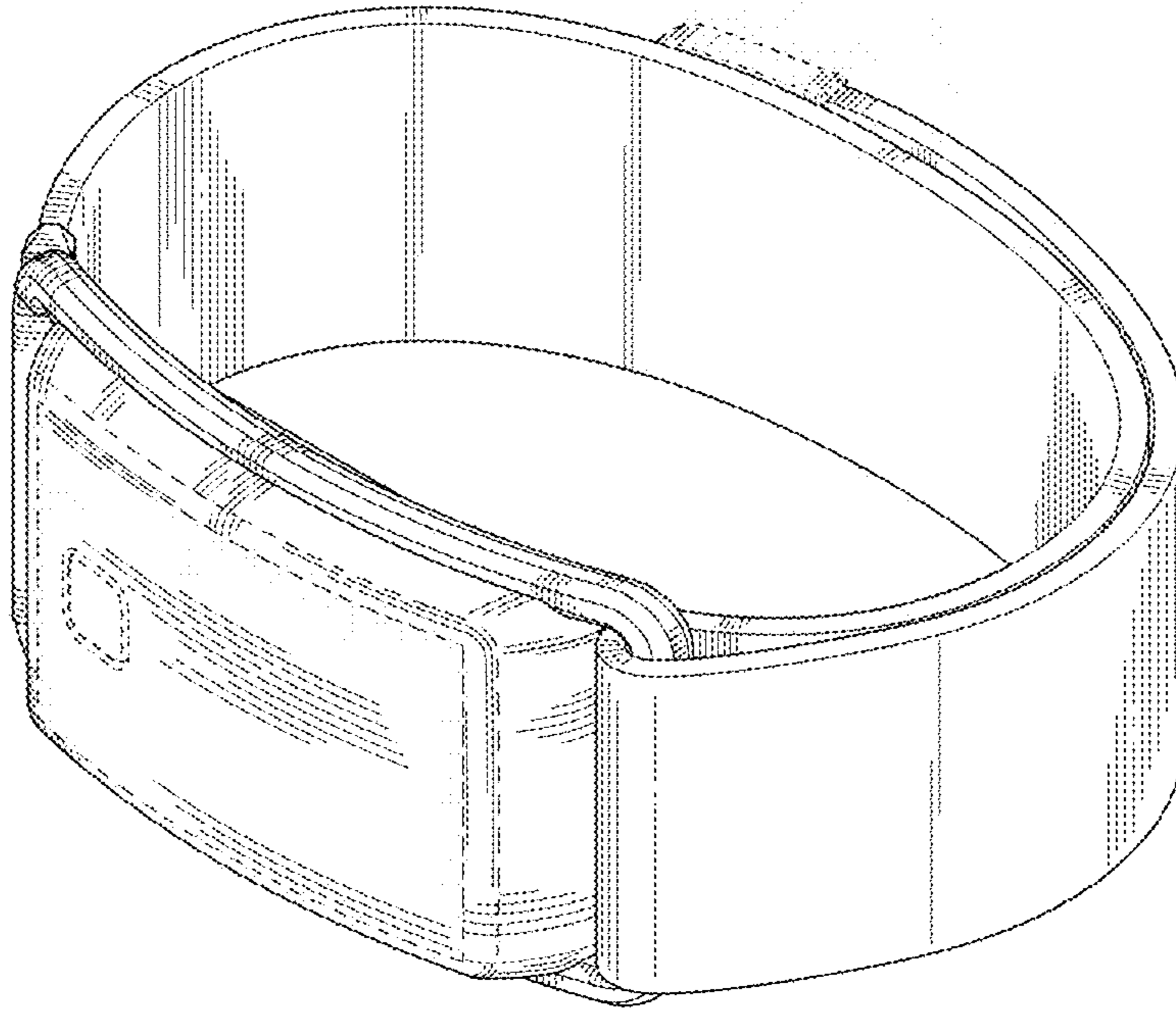


FIG. 1

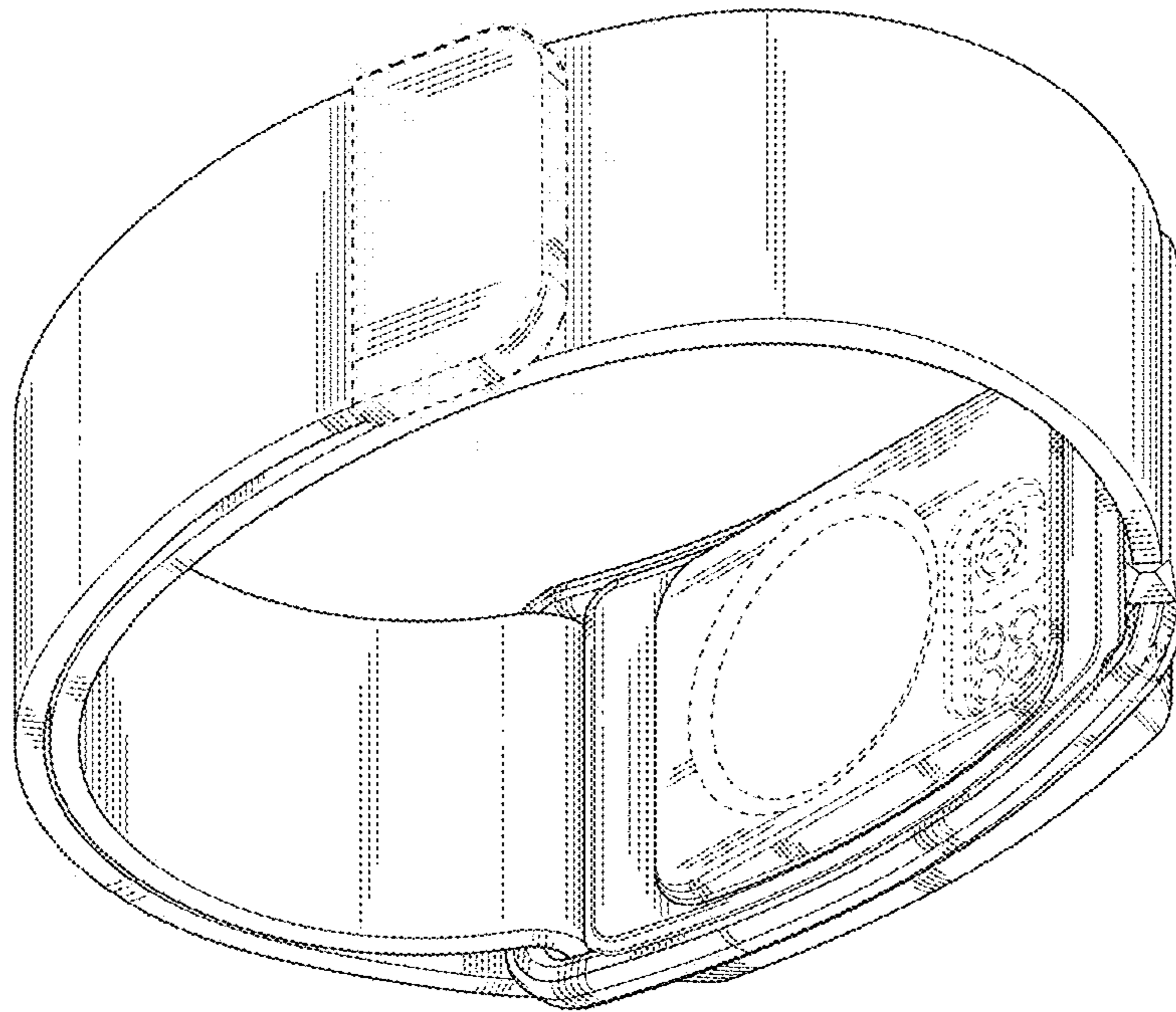


FIG. 2

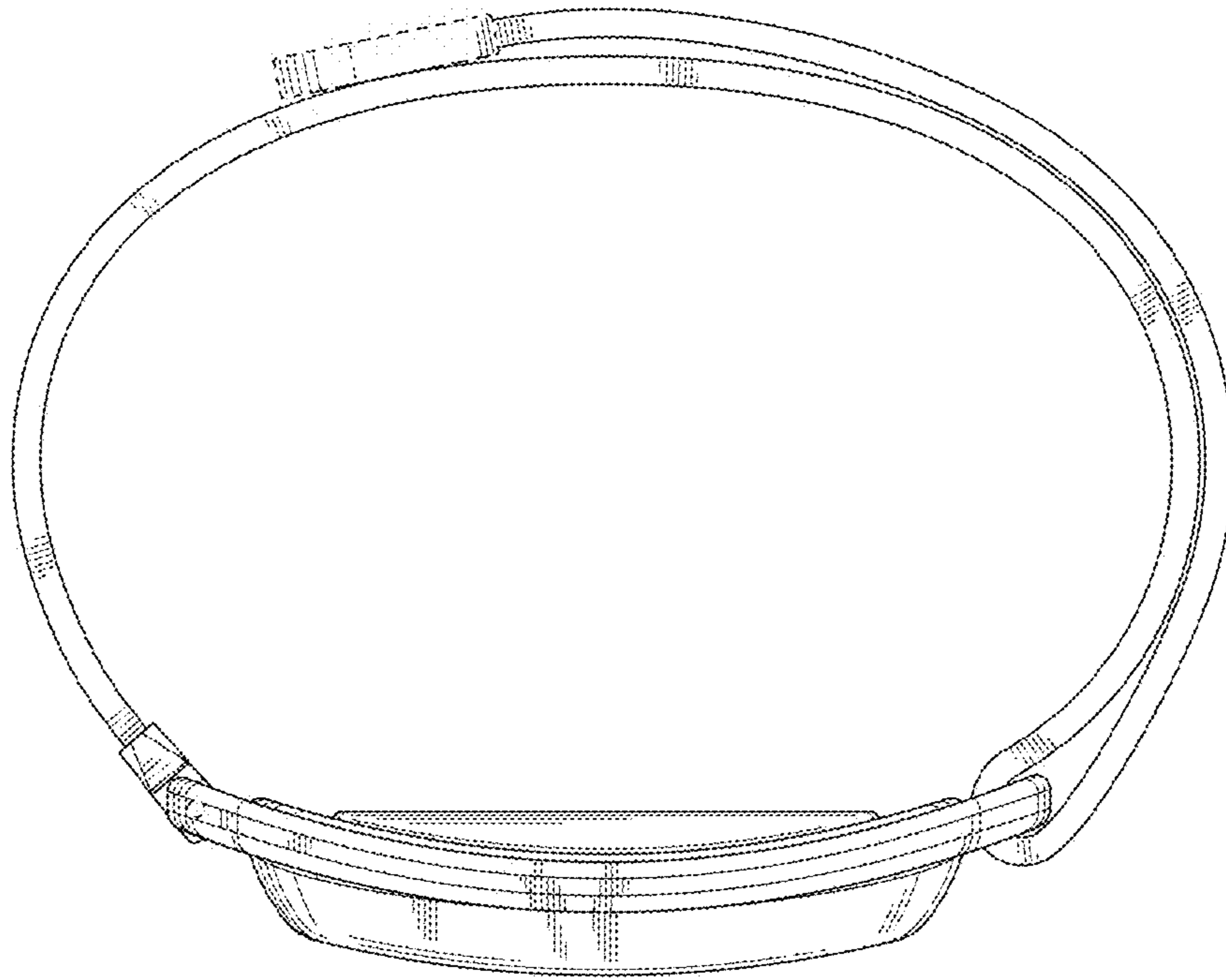


FIG. 3

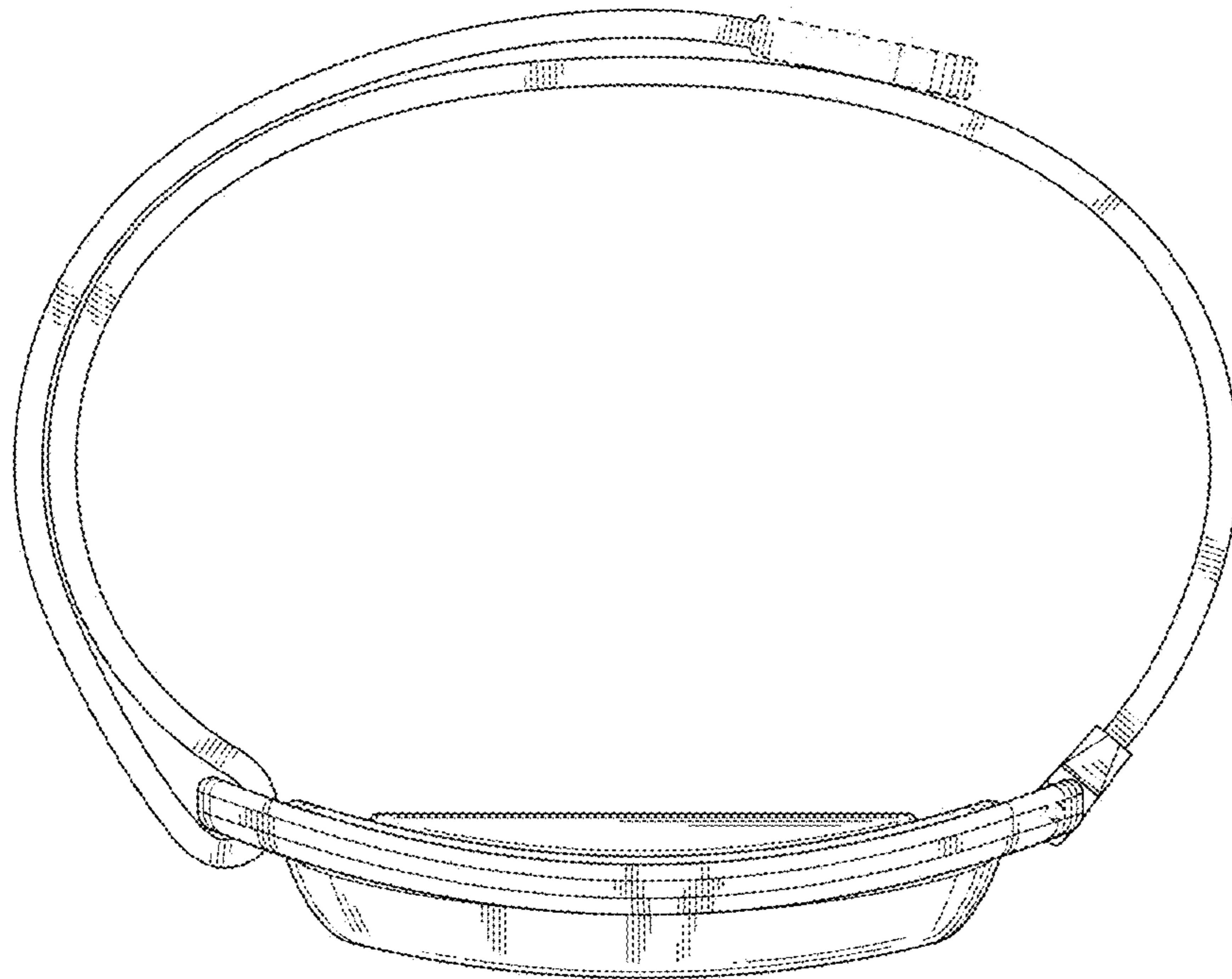


FIG. 4

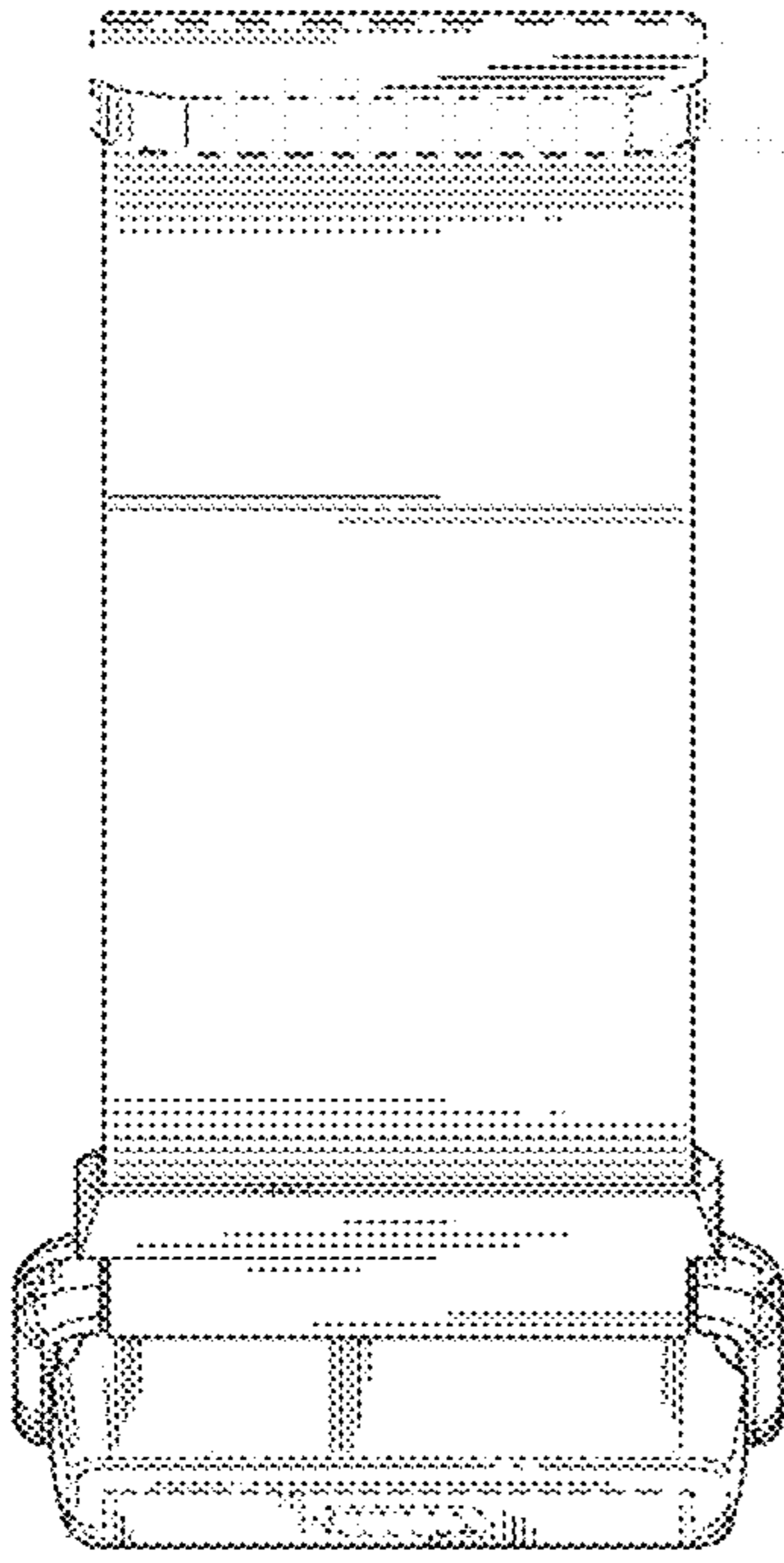


FIG. 5

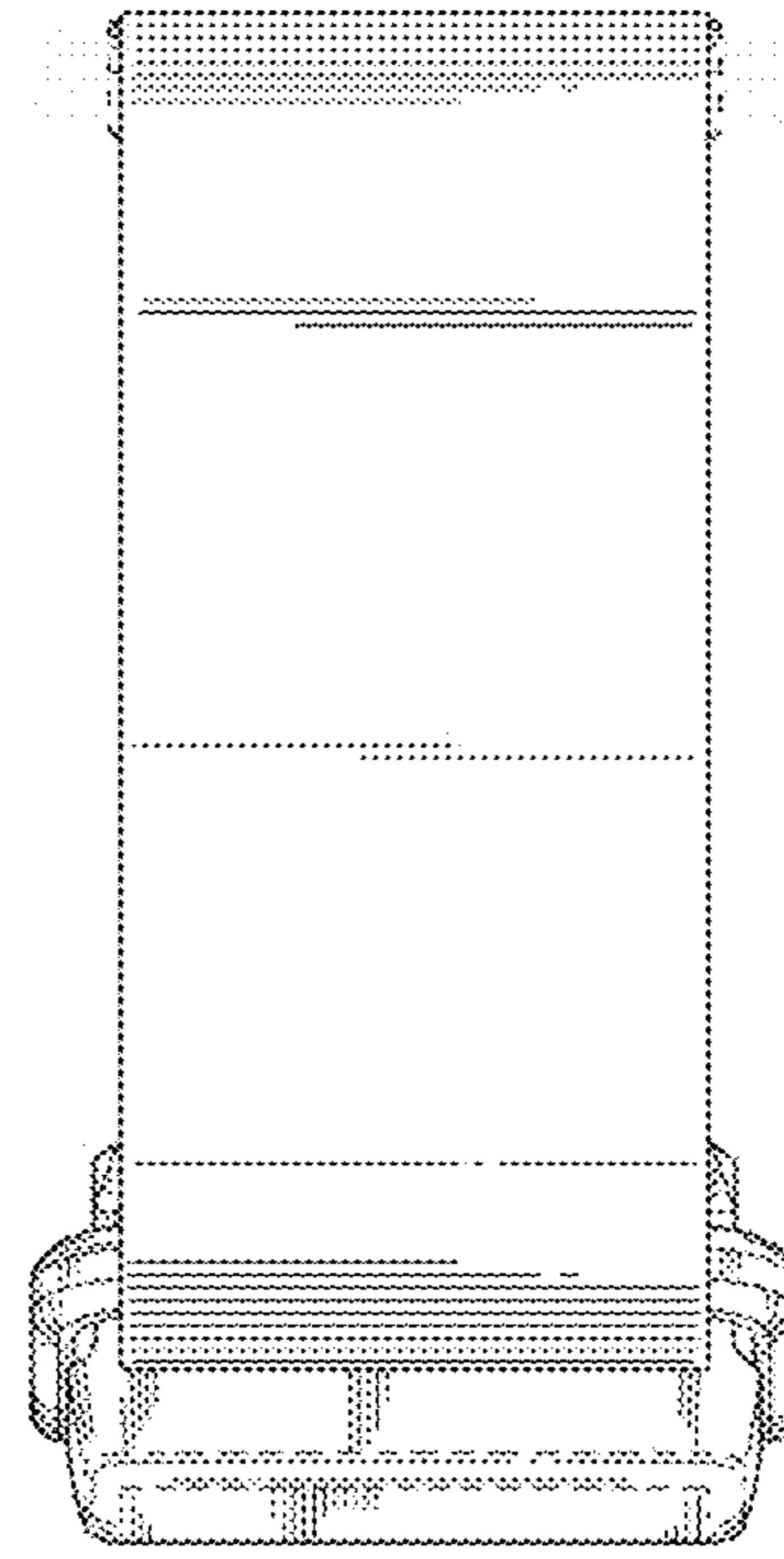


FIG. 6

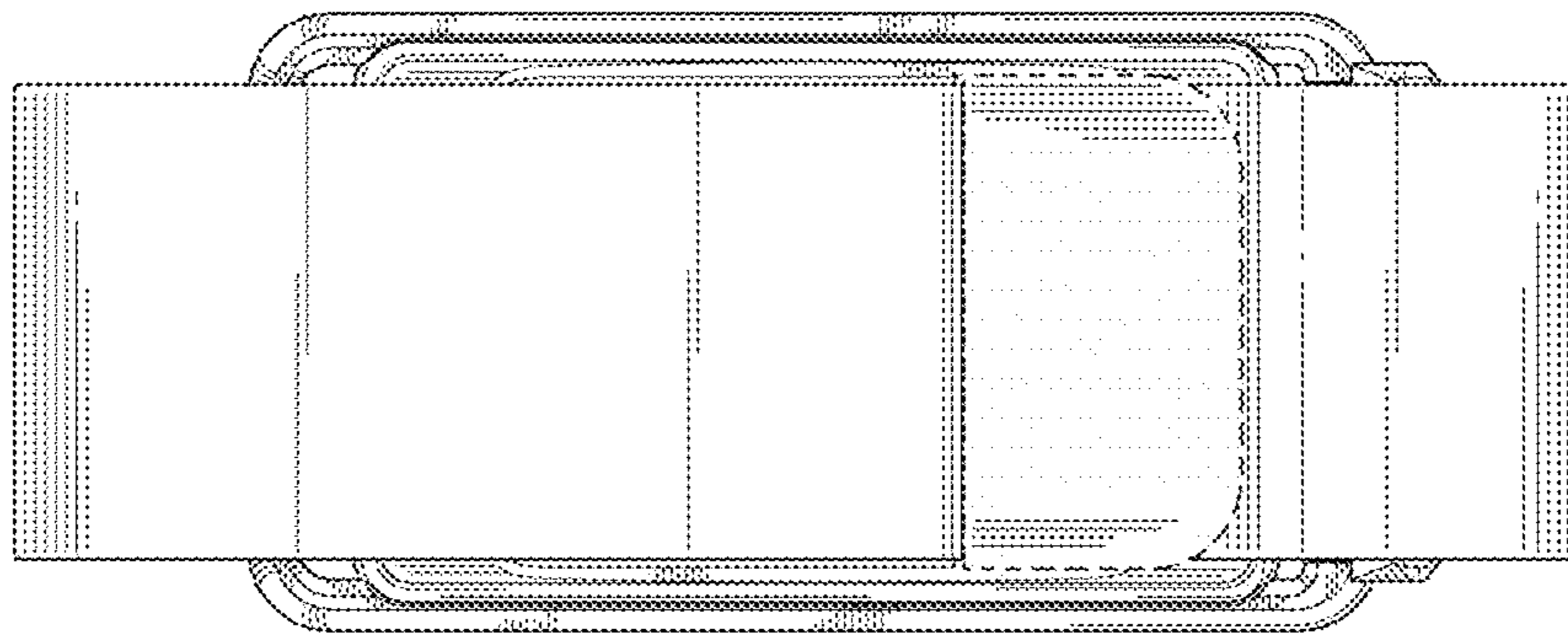


FIG. 7

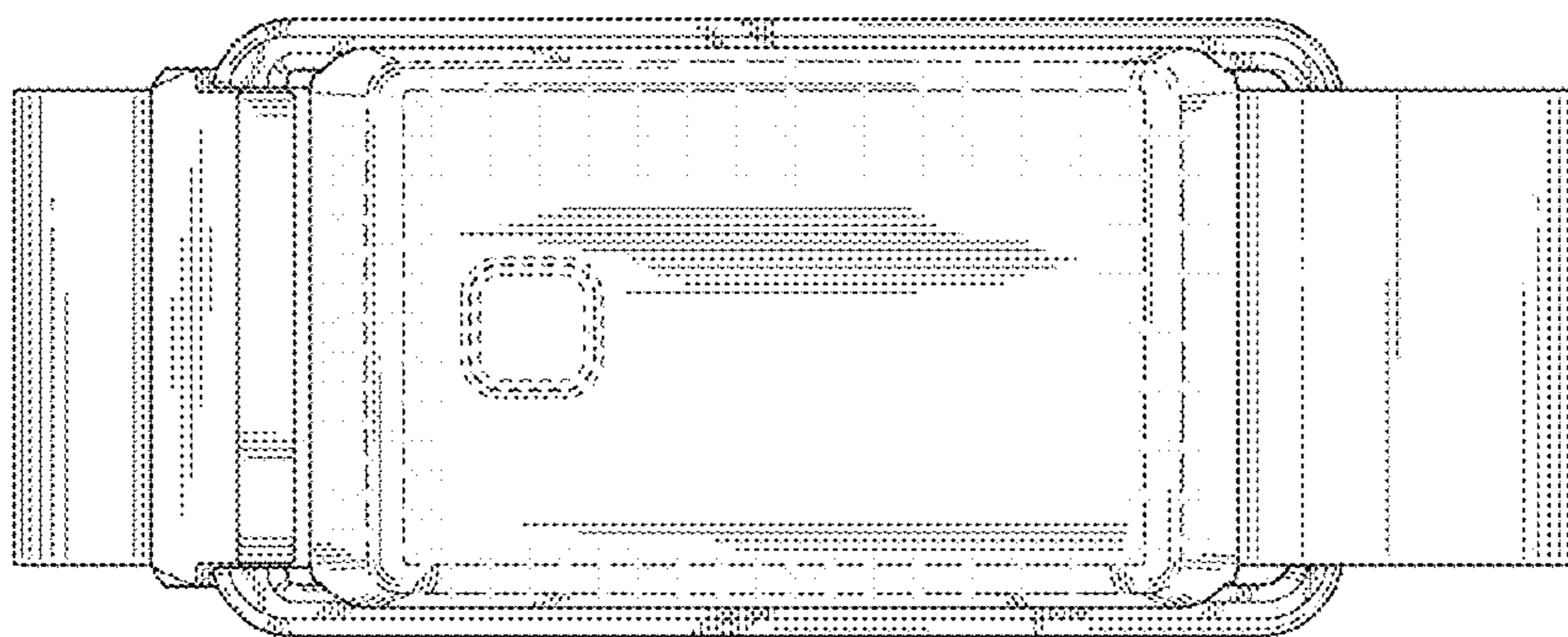


FIG. 8

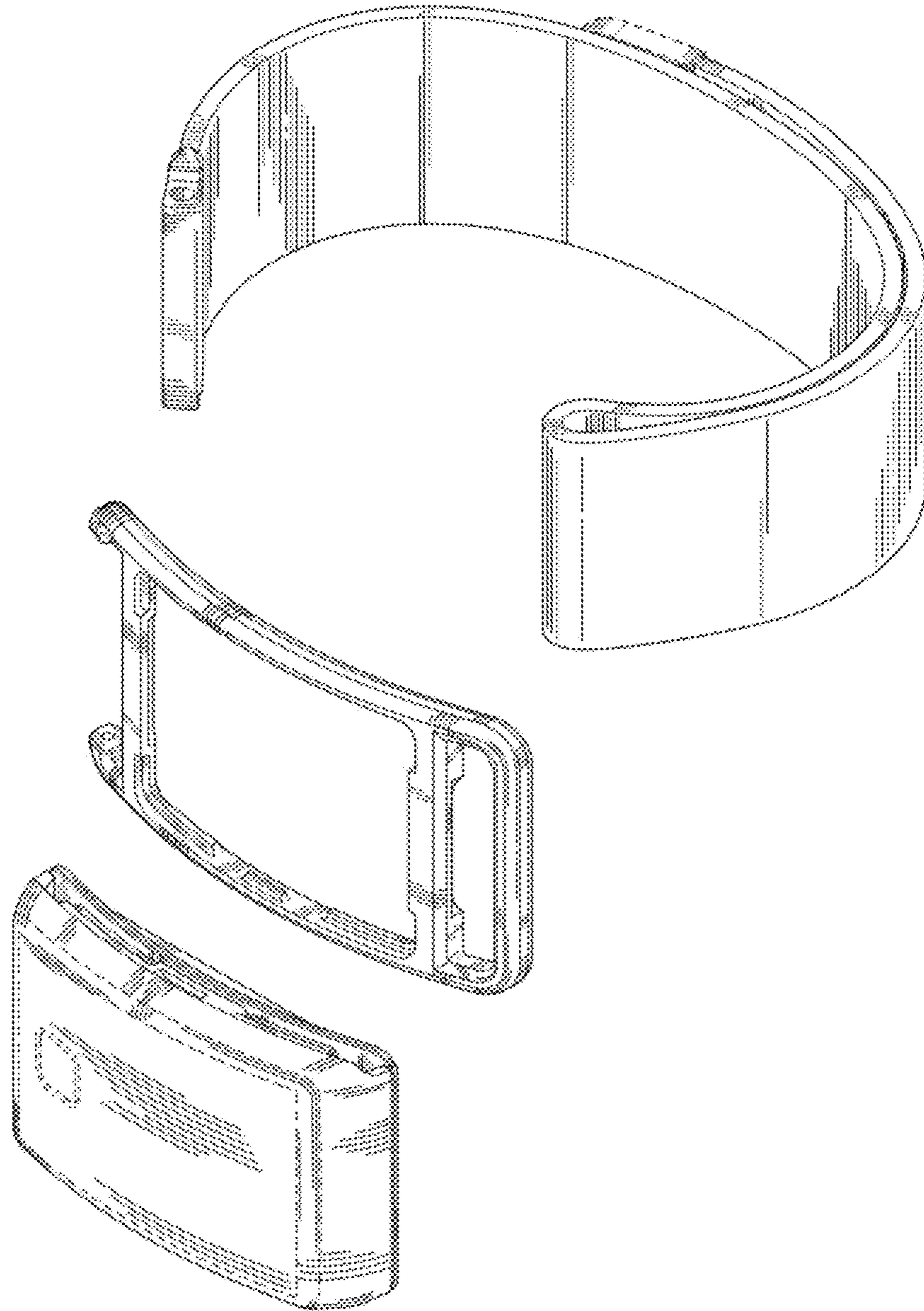


FIG. 9

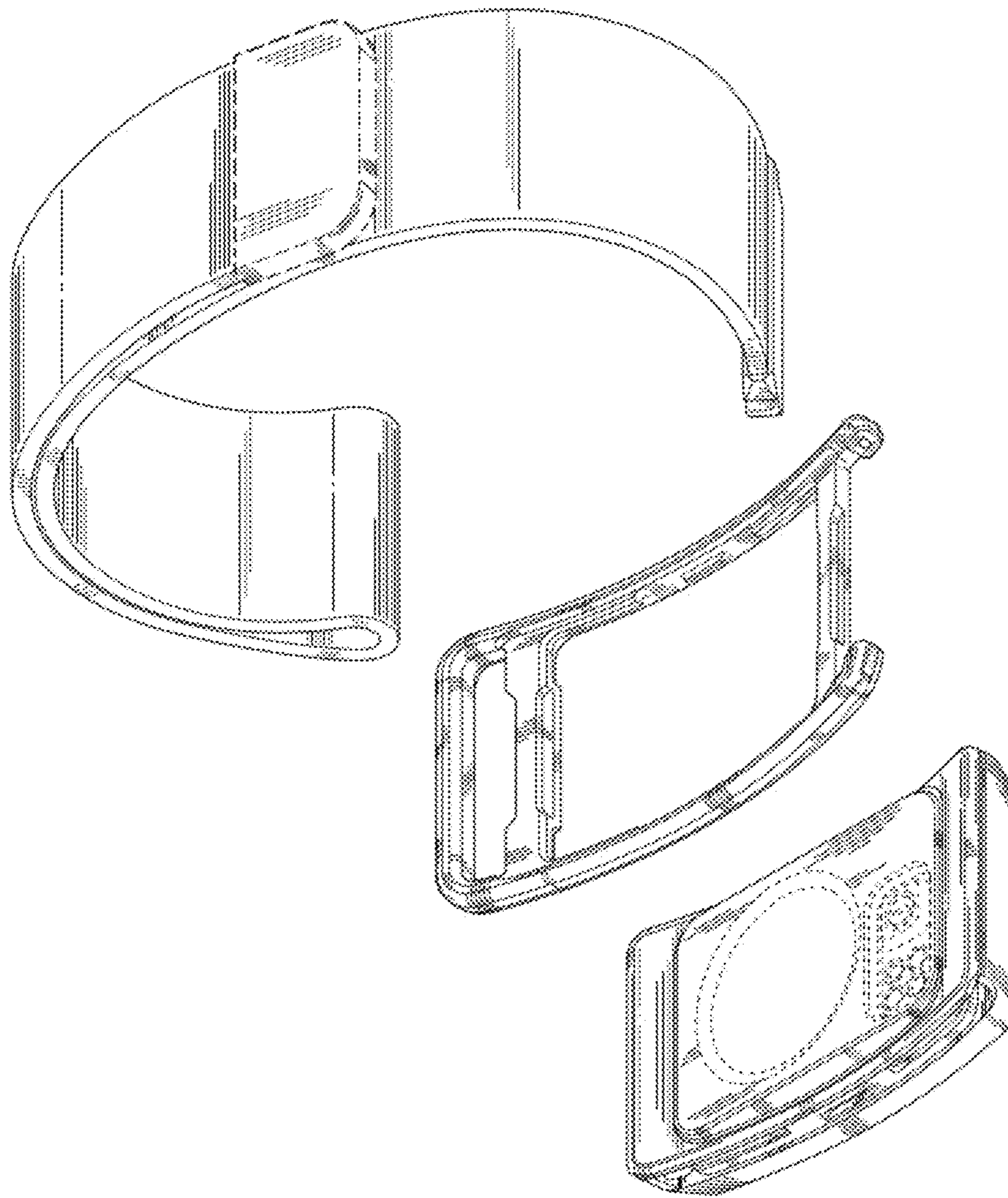


FIG. 10

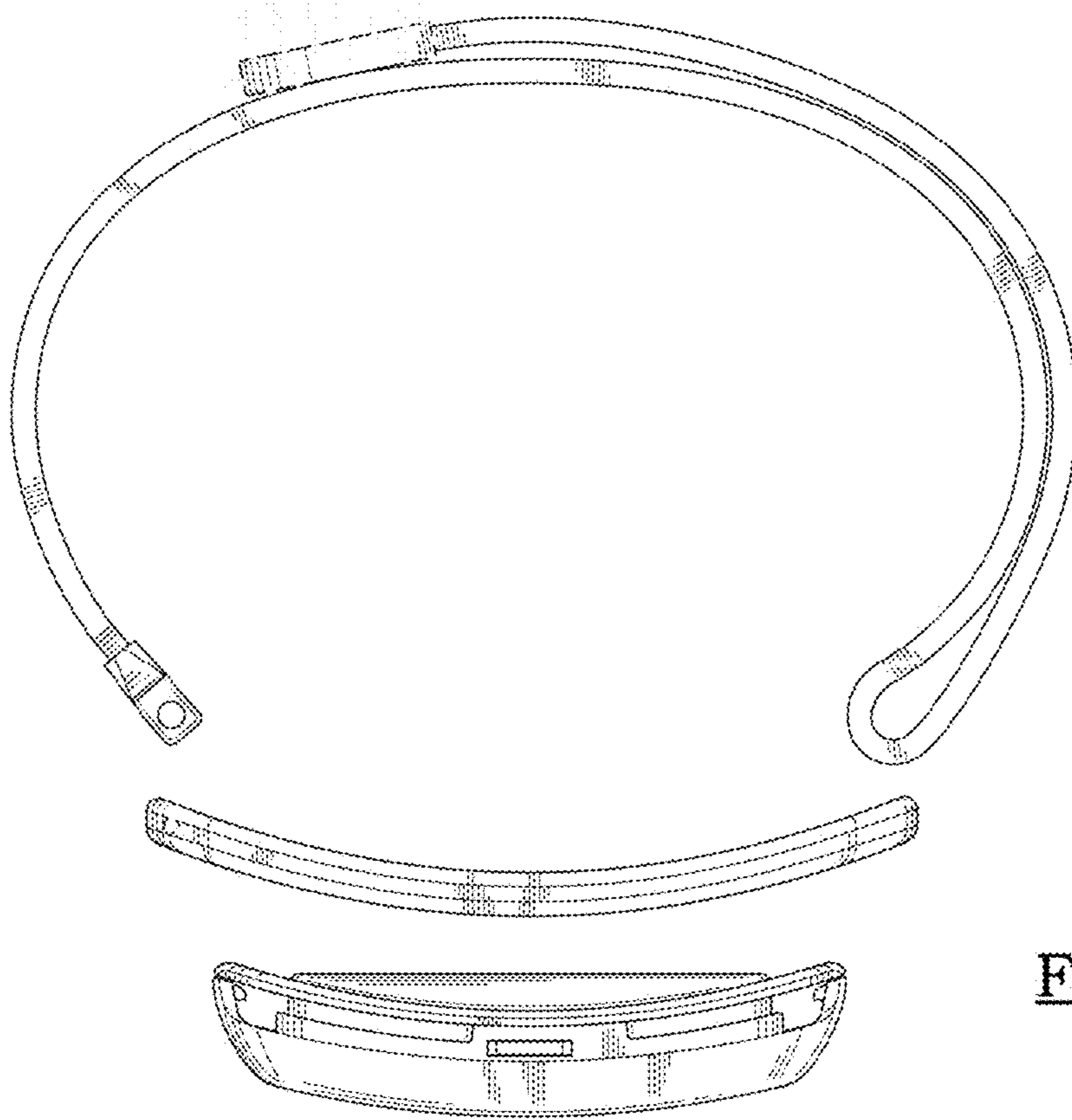


FIG. 11

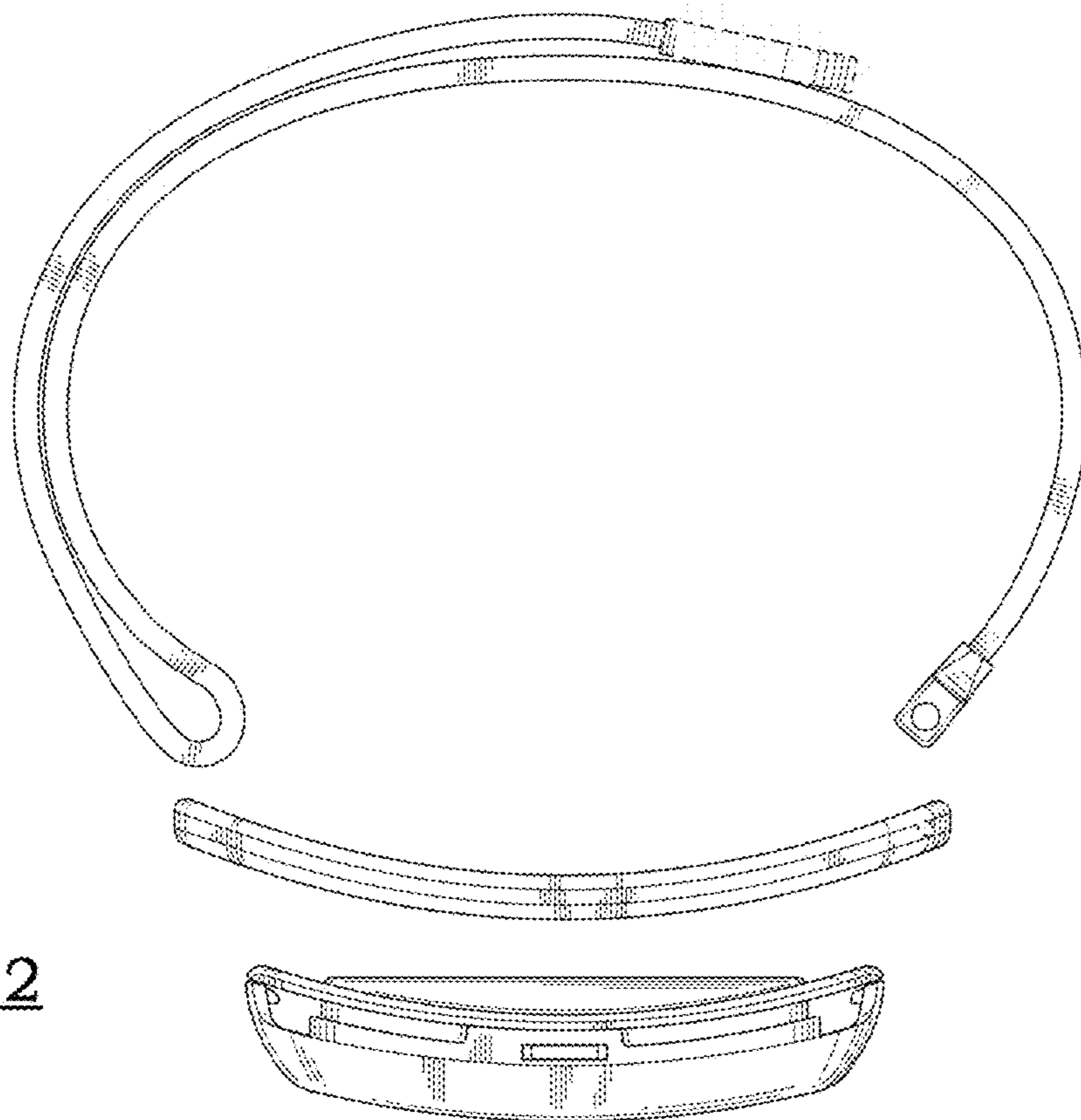


FIG. 12

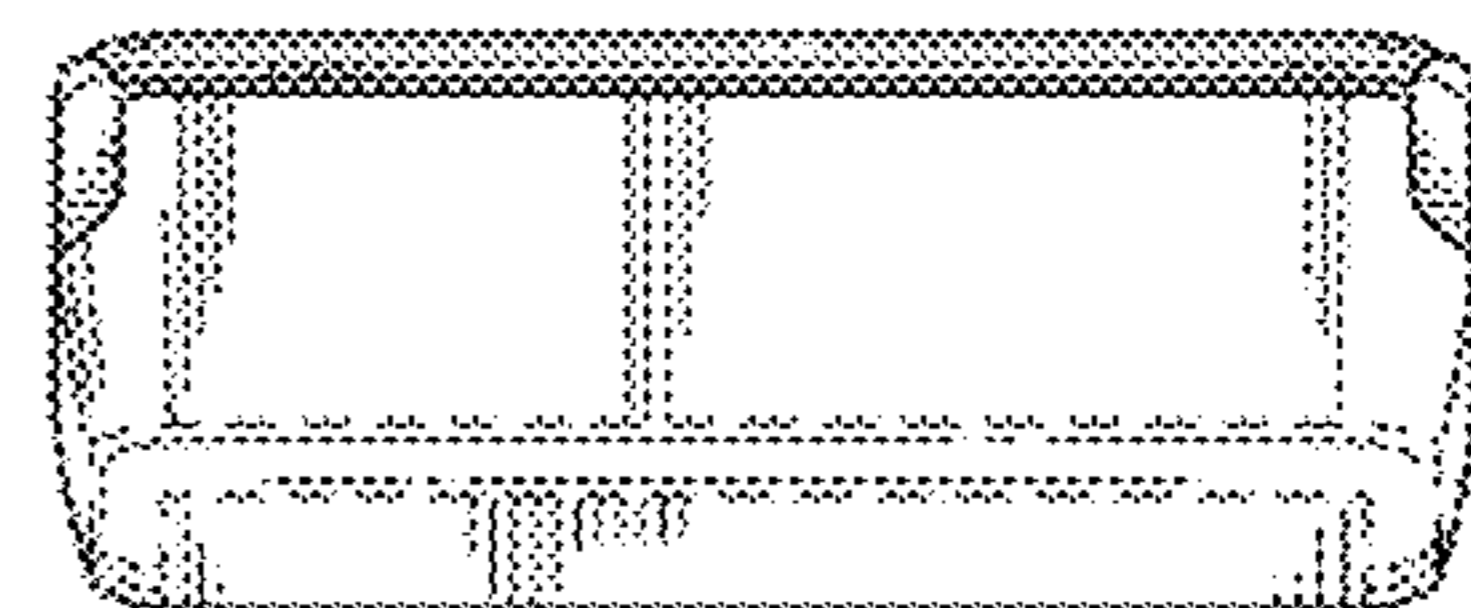
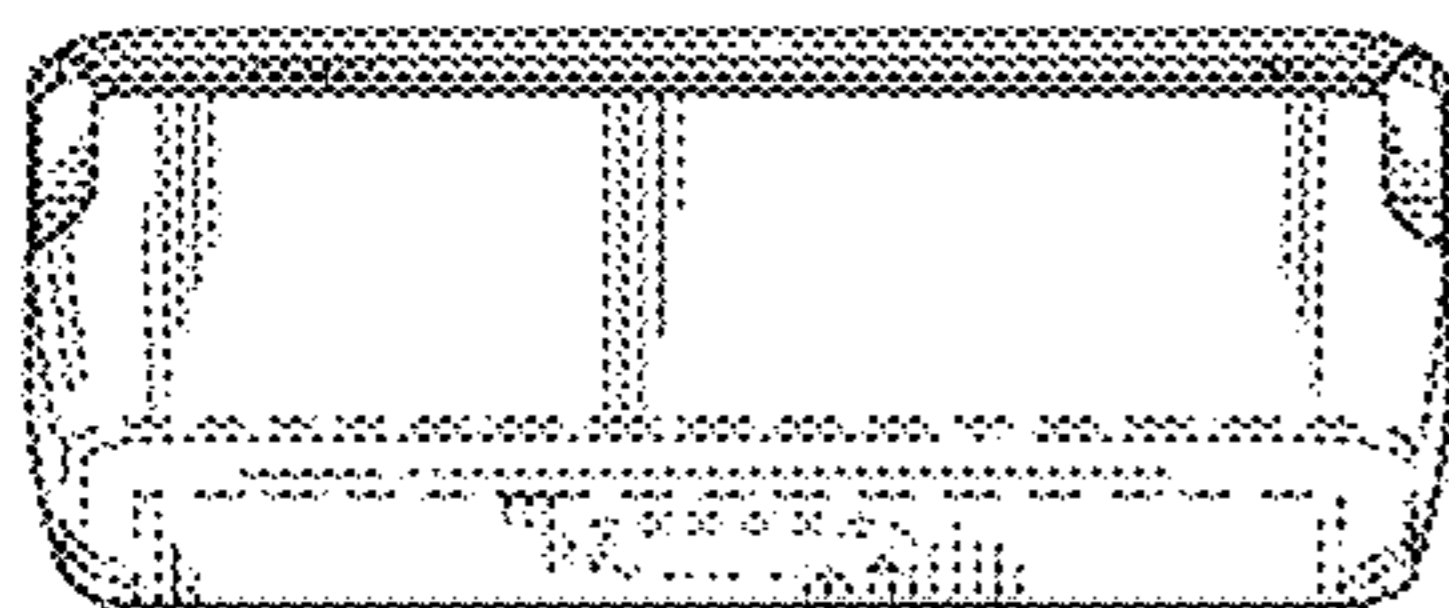
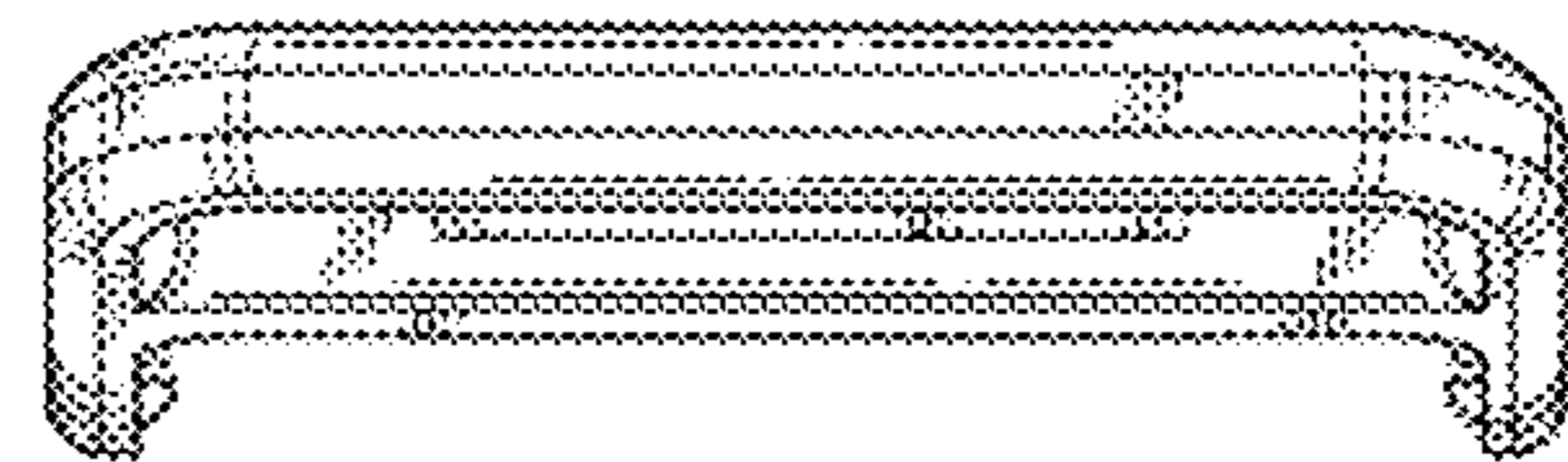
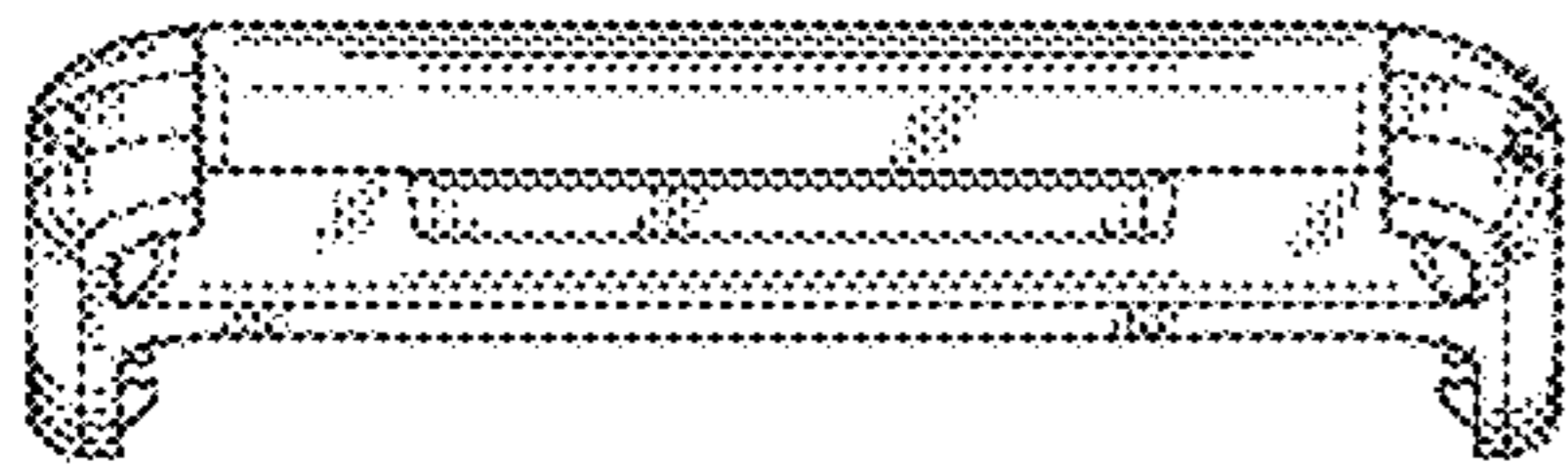
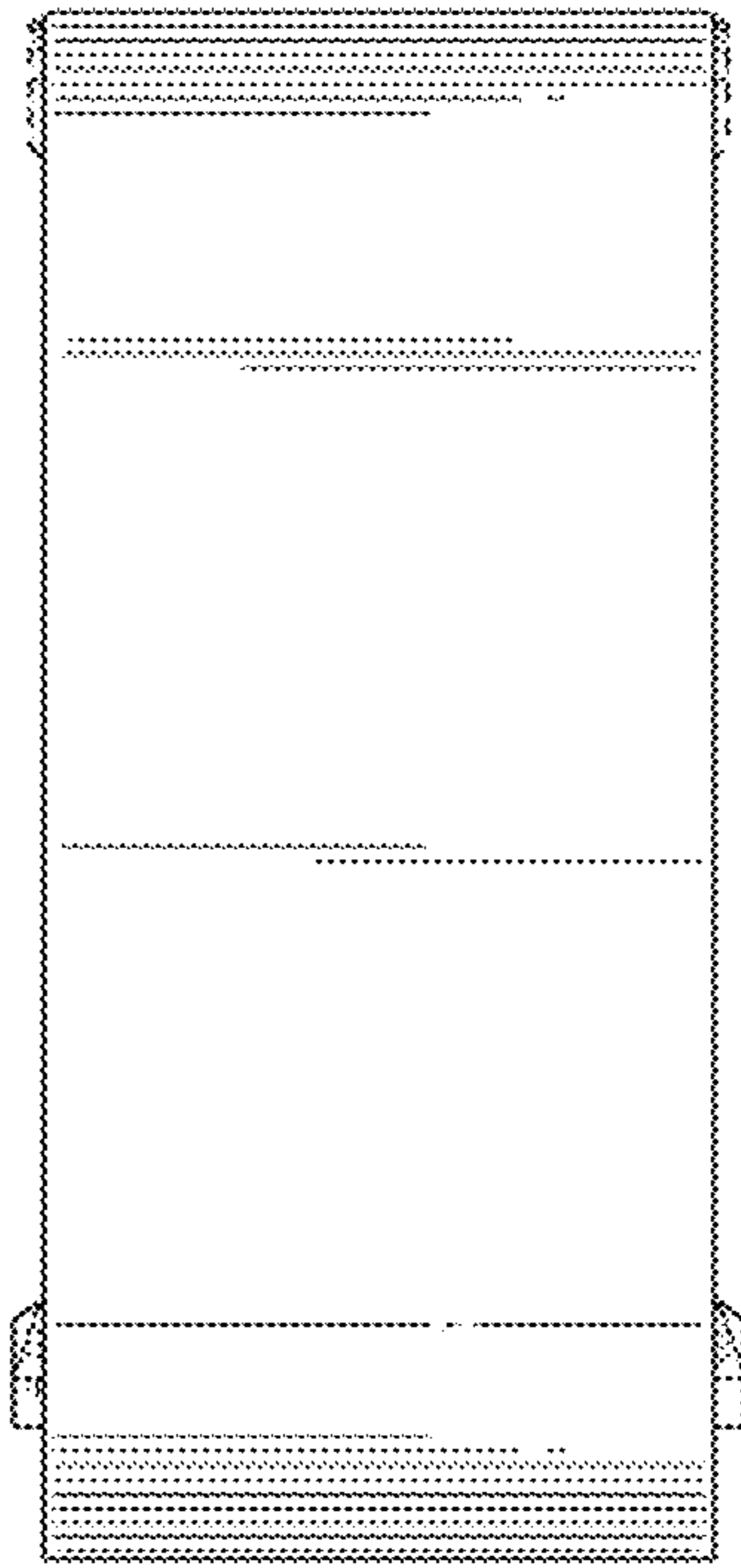
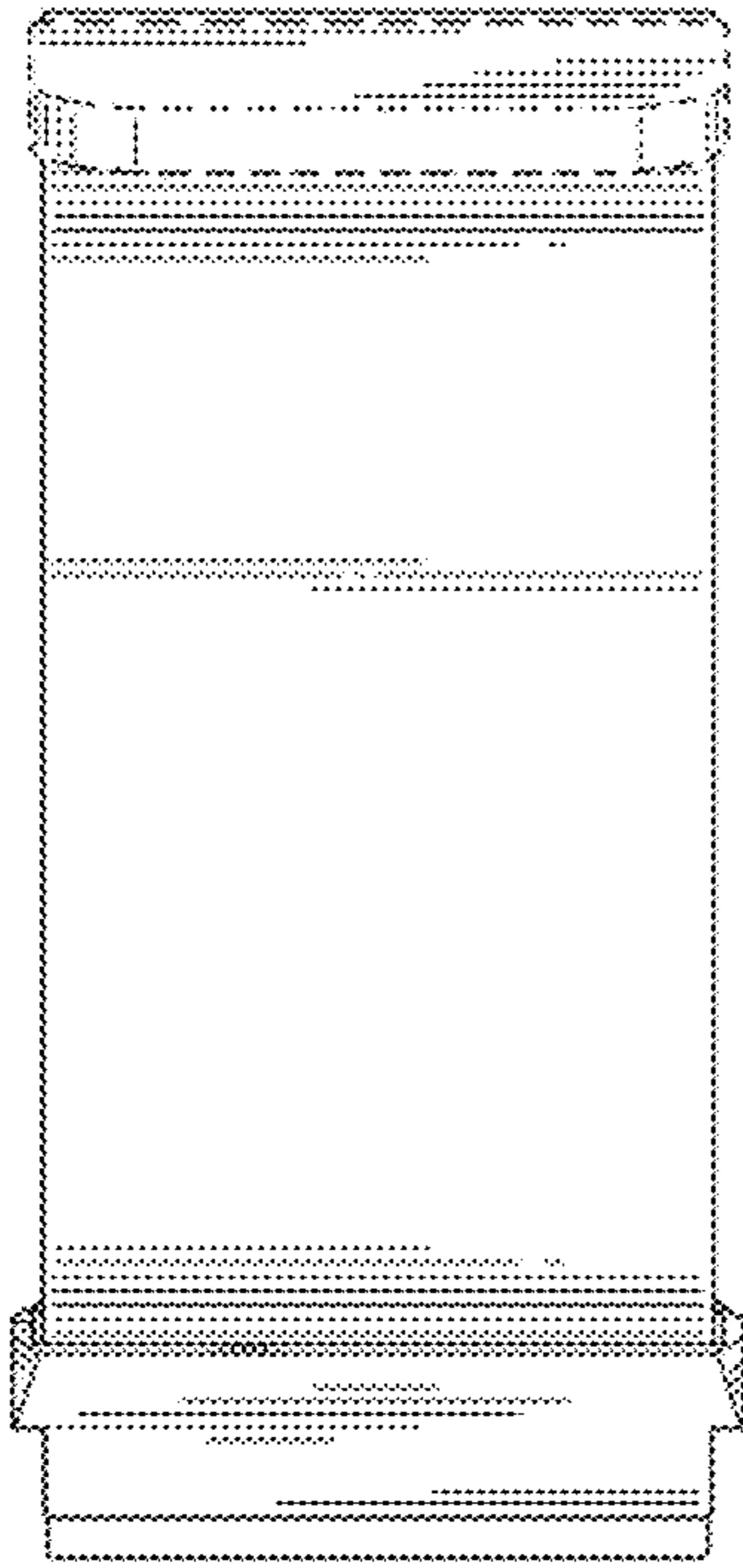


FIG. 13

FIG. 14

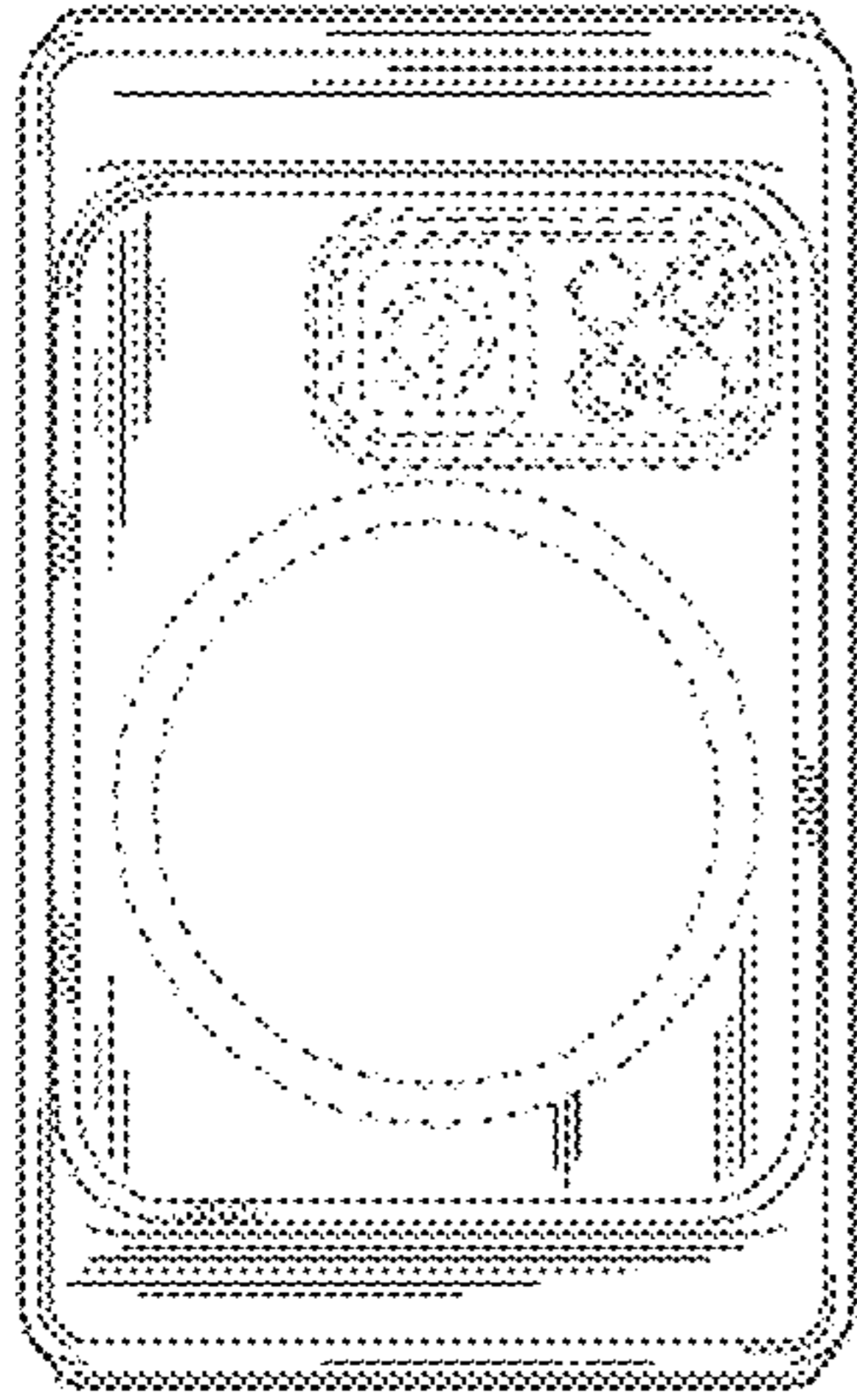


FIG. 15

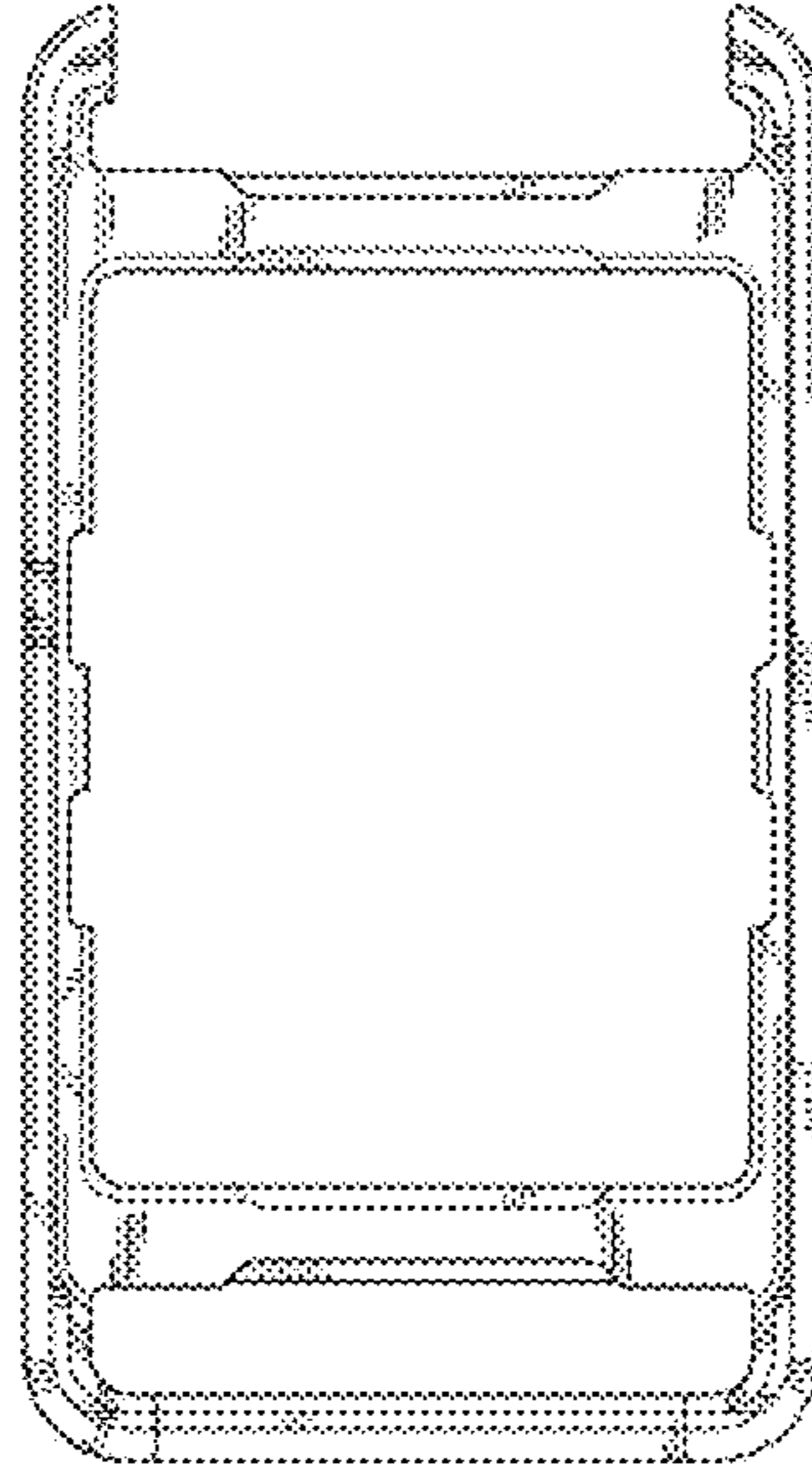


FIG. 17

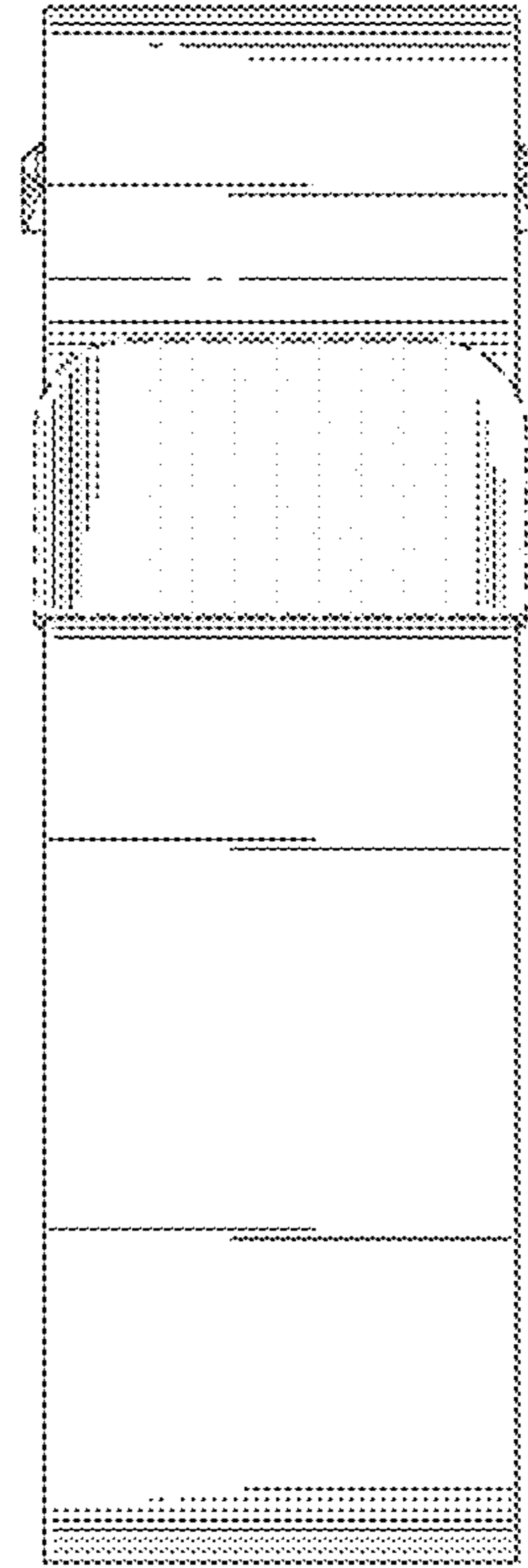


FIG. 19

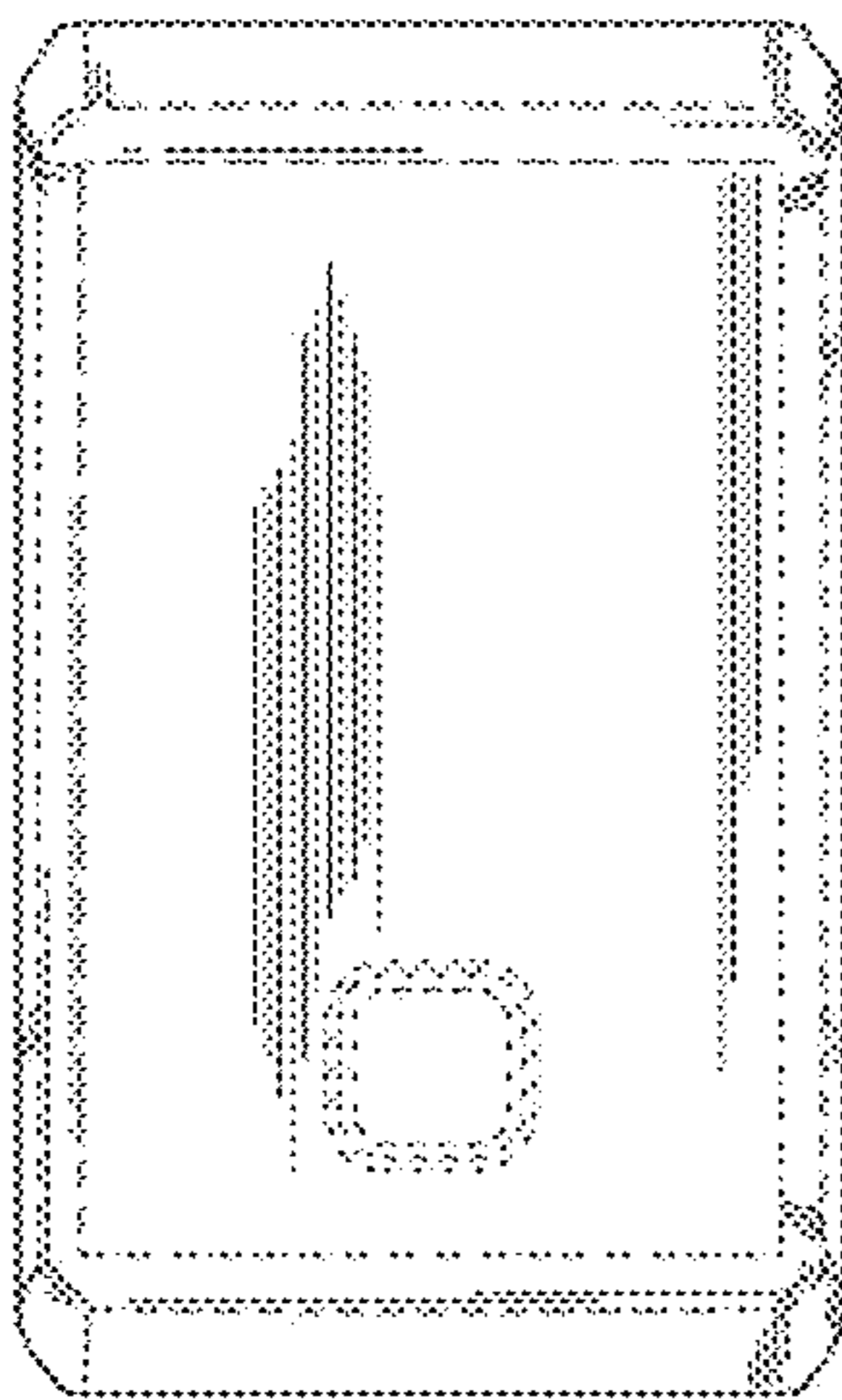


FIG. 16

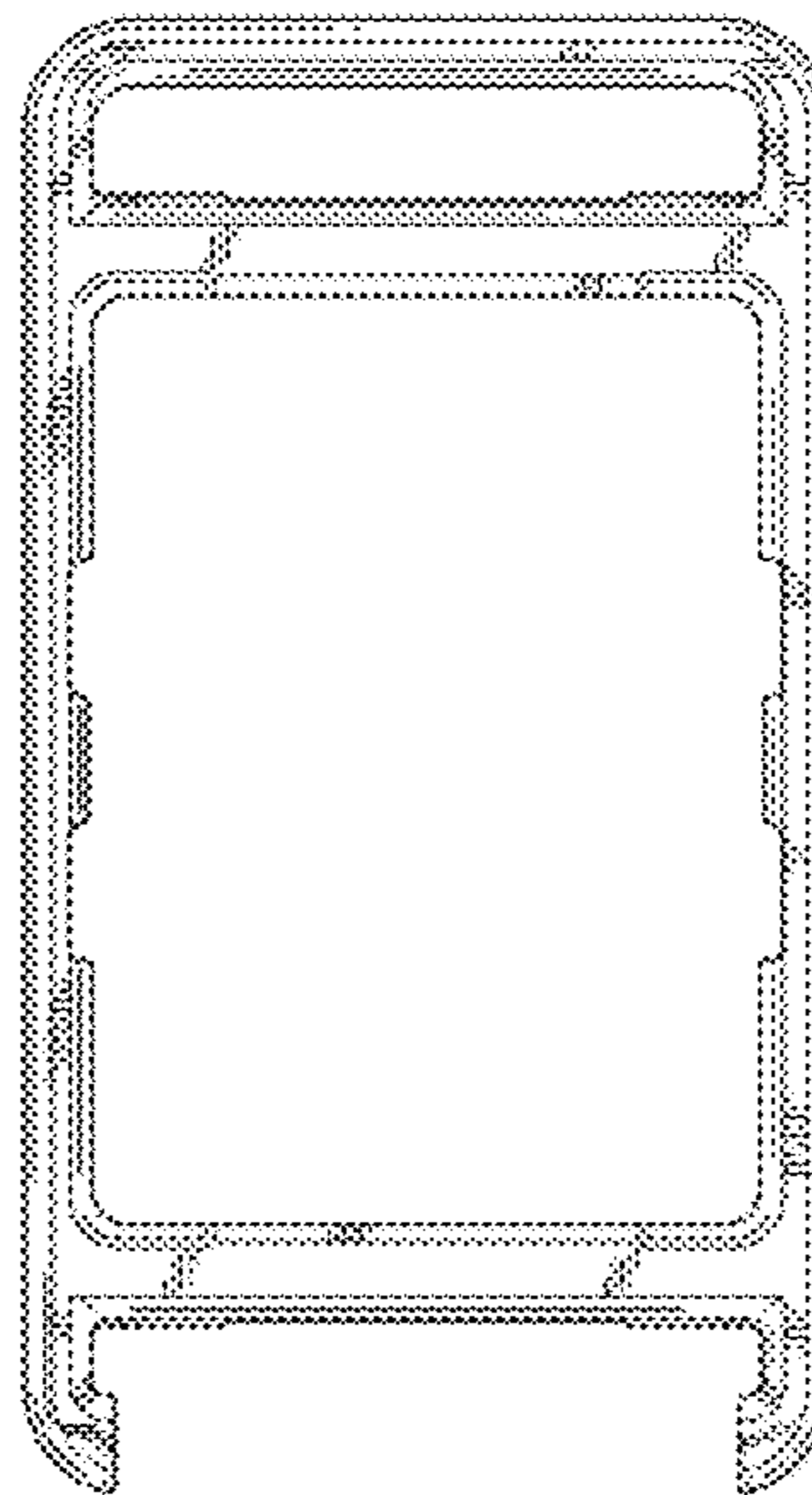


FIG. 18

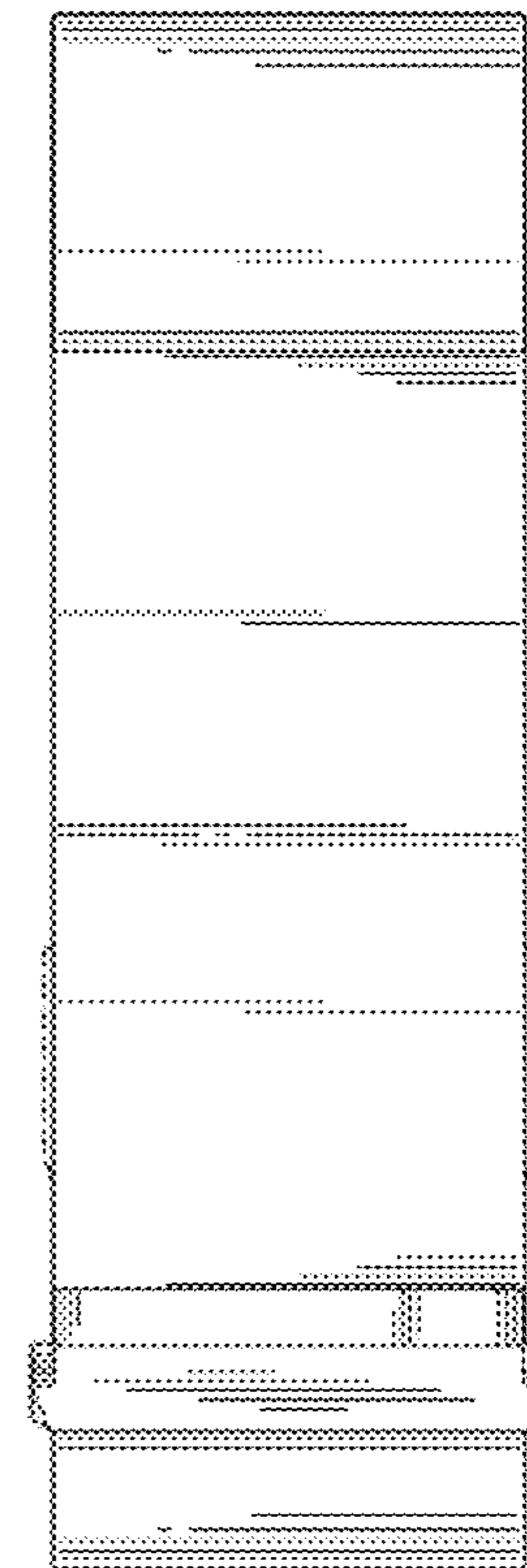


FIG. 20