



US00D956587S

(12) **United States Design Patent** (10) **Patent No.:** **US D956,587 S**
Bodenstein et al. (45) **Date of Patent:** **** Jul. 5, 2022**

(54) **MOVEMENT MEASUREMENT DEVICE HOUSING**

(71) Applicant: **CATALYST SPORTS LLC**, Golden, CO (US)

(72) Inventors: **Daniel Bodenstein**, Boulder, CO (US); **Brett Goldfarb**, Boulder, CO (US)

(73) Assignee: **Catalyst Sports LLC**, Golden, CO (US)

(*) Notice: This patent is subject to a terminal disclaimer.

(**) Term: **15 Years**

(21) Appl. No.: **29/732,726**

(22) Filed: **Apr. 27, 2020**

Related U.S. Application Data

(63) Continuation of application No. 29/664,012, filed on Sep. 20, 2018, now Pat. No. Des. 882,435.

(51) **LOC (13) Cl.** **10-04**

(52) **U.S. Cl.**
USPC **D10/70; D10/83; D10/96; D10/87; D10/98**

(58) **Field of Classification Search**
USPC **D10/65, 70, 83, 85, 96, 97**
(Continued)

(56) **References Cited**

U.S. PATENT DOCUMENTS

D278,831 S * 5/1985 Bressler D10/97
4,515,365 A 5/1985 Horikoshi et al.
(Continued)

FOREIGN PATENT DOCUMENTS

WO 2011101459 A1 8/2011
WO 2012069375 A1 5/2012
(Continued)

OTHER PUBLICATIONS

“SetPro SP-3A Swing Power Training Product”, 7 pages.

(Continued)

Primary Examiner — Antoine Duval Davis

(74) *Attorney, Agent, or Firm* — Dorsey & Whitney LLP

(57) **CLAIM**

We claim the ornamental design for a movement measurement device housing, as shown and described.

DESCRIPTION

FIG. 1 is a front isometric view of an embodiment of a movement measurement device housing.

FIG. 2 is a rear isometric view of the movement measurement device housing of FIG. 1.

FIG. 3 is a front elevation view of the movement measurement device housing of FIG. 1.

FIG. 4 is a rear elevation view of the movement measurement device housing of FIG. 1.

FIG. 5 is a right side elevation view of the movement measurement device housing of FIG. 1.

FIG. 6 is a left side elevation view of the movement measurement device housing of FIG. 1.

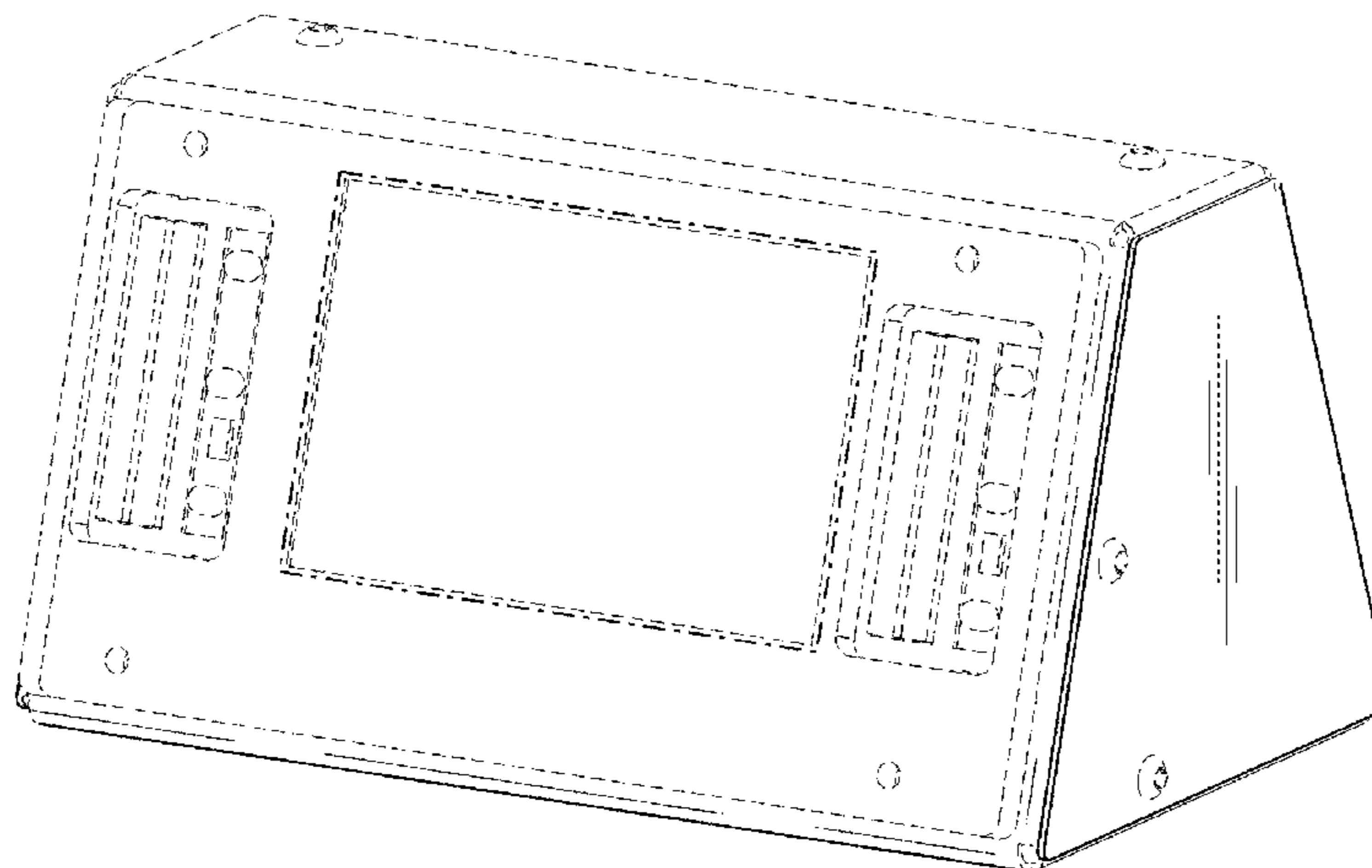
FIG. 7 is a top plan view of the movement measurement device housing of FIG. 1; and,

FIG. 8 is a bottom plan view of the movement measurement device housing of FIG. 1.

Portions shown in evenly spaced broken lines depict environmental structures that form no part of the claim. Portions shown in dot-dash lines depict an unclaimed boundary between claimed and unclaimed portions of the present design.

Any combination of the illustrated features may be claimed in this application or a continuing application claiming priority to this application by converting any of the solid lines to broken lines, any of the broken lines to solid lines, or any combination thereof.

1 Claim, 7 Drawing Sheets



(58) **Field of Classification Search**

CPC A63B 60/46; A63B 2060/462; A63B 2060/464; A63B 69/00; A63B 69/0002; A63B 2069/0004; A63B 2069/0006; A63B 2069/0008; A63B 2069/0011; A63B 2102/18; A63B 2208/02; A63B 2208/0204; A63B 2208/0209; A63B 2220/30; A63B 2220/31; A63B 2220/34; A63B 2220/35; A63B 2220/36; A63B 2220/40; A63B 2220/44; A63B 2220/50; A63B 2220/51; A63B 2220/52; A63B 2220/53; A63B 2220/54; A63B 2220/56; A63B 2220/58; A63B 2220/62; A63B 2220/80; A63B 2220/801; A63B 2220/802; A63B 2220/803; A63B 2220/805; A63B 2220/806; A63B 2220/807; A63B 2220/83; A63B 2220/833; A63B 2220/836; A63B 2220/89

See application file for complete search history.

(56) **References Cited**

U.S. PATENT DOCUMENTS

4,583,733 A 4/1986 Ito et al.
 4,814,986 A 3/1989 Spielman
 4,915,384 A 4/1990 Bear
 D367,821 S * 3/1996 Fischer D10/46
 5,741,182 A 4/1998 Lipps et al.
 5,833,549 A 11/1998 Zur et al.
 D409,927 S * 5/1999 Wiegers D10/65
 5,988,861 A 11/1999 Baum
 6,095,928 A 8/2000 Goszyk
 6,254,492 B1 7/2001 Taggett
 6,292,130 B1 9/2001 Cavallaro et al.
 6,304,665 B1 10/2001 Cavallaro et al.
 8,911,309 B1 12/2014 Harihar et al.
 9,092,952 B1 7/2015 Daniel
 9,744,419 B1 8/2017 Rodriguez
 9,956,465 B1 5/2018 Rodriguez
 10,874,932 B1 12/2020 Kane
 2001/0056000 A1 12/2001 Hori

2003/0054898 A1 3/2003 Otten et al.
 2007/0021242 A1 1/2007 Krickler
 2007/0225054 A1 9/2007 Okamoto et al.
 2008/0070654 A1 3/2008 Okamoto et al.
 2009/0203471 A1 8/2009 Roudybush
 2010/0248853 A1 9/2010 Dellinger
 2013/0172129 A1 7/2013 Sams
 2013/0346009 A1 12/2013 Winter et al.
 2015/0065272 A1 3/2015 Bond
 2015/0157915 A1 6/2015 Brantingham
 2015/0258402 A1 9/2015 Bynum
 2016/0296797 A1 10/2016 Rosen et al.
 2016/0339316 A1 11/2016 Lee et al.
 2016/0367847 A1 12/2016 Antunes
 2017/0014698 A1 1/2017 Dilz
 2017/0157484 A1 6/2017 Altshuler et al.
 2017/0361165 A1 12/2017 Miller et al.
 2018/0071604 A1 3/2018 Tyndall
 2018/0250570 A1 9/2018 Yarborough et al.
 2018/0272214 A1 9/2018 Ratner et al.
 2018/0290037 A1 10/2018 Dilz
 2018/0311555 A1 11/2018 Danis et al.
 2019/0022487 A1 1/2019 Joo et al.
 2019/0269987 A1 9/2019 Kim et al.
 2019/0324423 A1 10/2019 Kim et al.
 2021/0031086 A1 2/2021 Tabuchi et al.
 2021/0197049 A1 7/2021 Penrod et al.
 2022/0032155 A1 2/2022 Cox et al.

FOREIGN PATENT DOCUMENTS

WO 2013105726 A1 7/2013
 WO 2014147639 A2 9/2014
 WO 2018094457 A1 5/2018

OTHER PUBLICATIONS

SetPro, "Reaction Training Your Home Run Advantage", <http://www.setpro.com/finalwebsite/Main%20html/Hitting/Hitting%20Brochure%20Page%2000%20Reaction%201.htm>, (Accessed Jul. 3, 2018), 3 pages.
 SetPro, "Who is Paul Nyman", www.setpro.com, (Accessed Jul. 3, 2018), 7 pages.

* cited by examiner

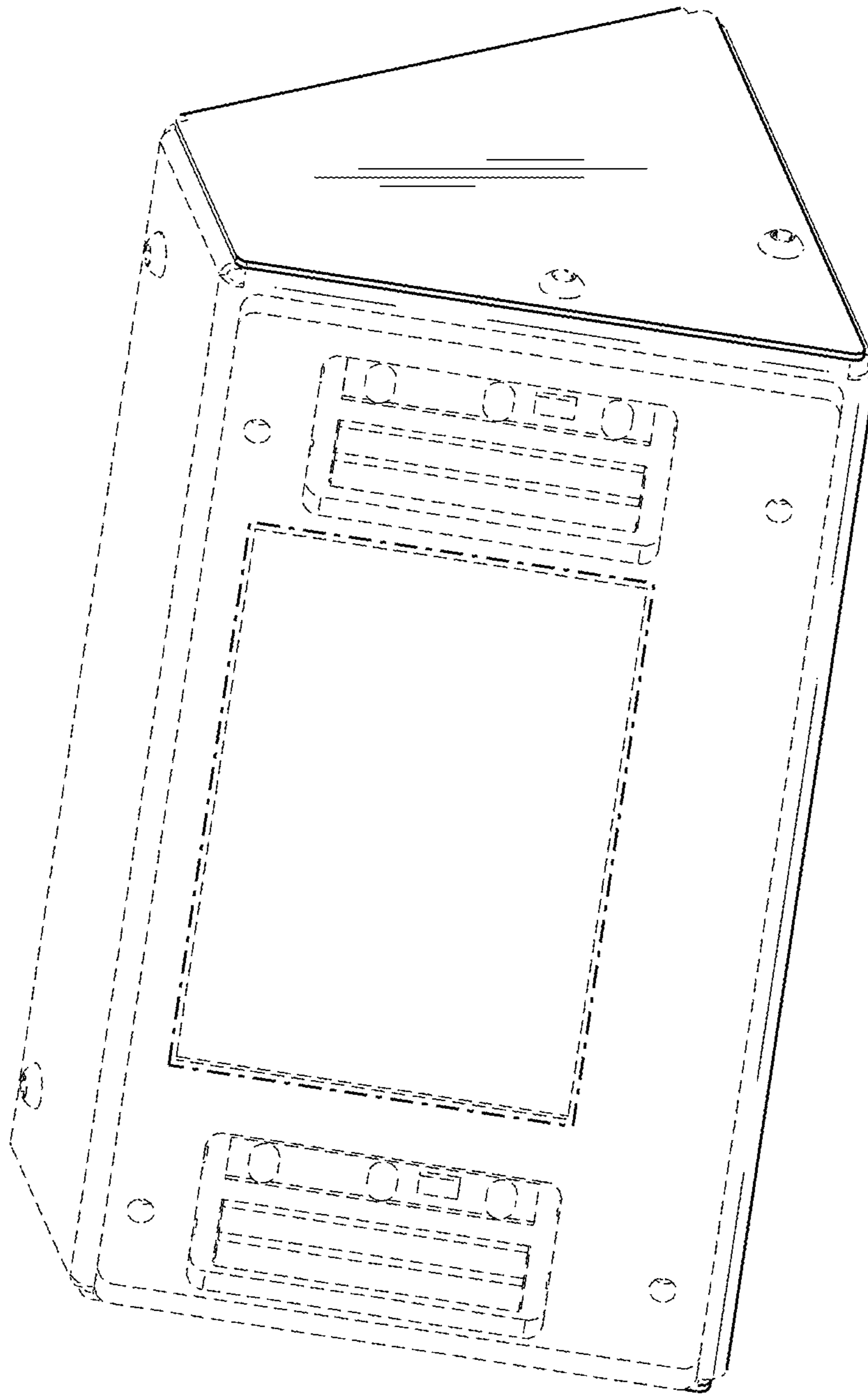


FIG. 1

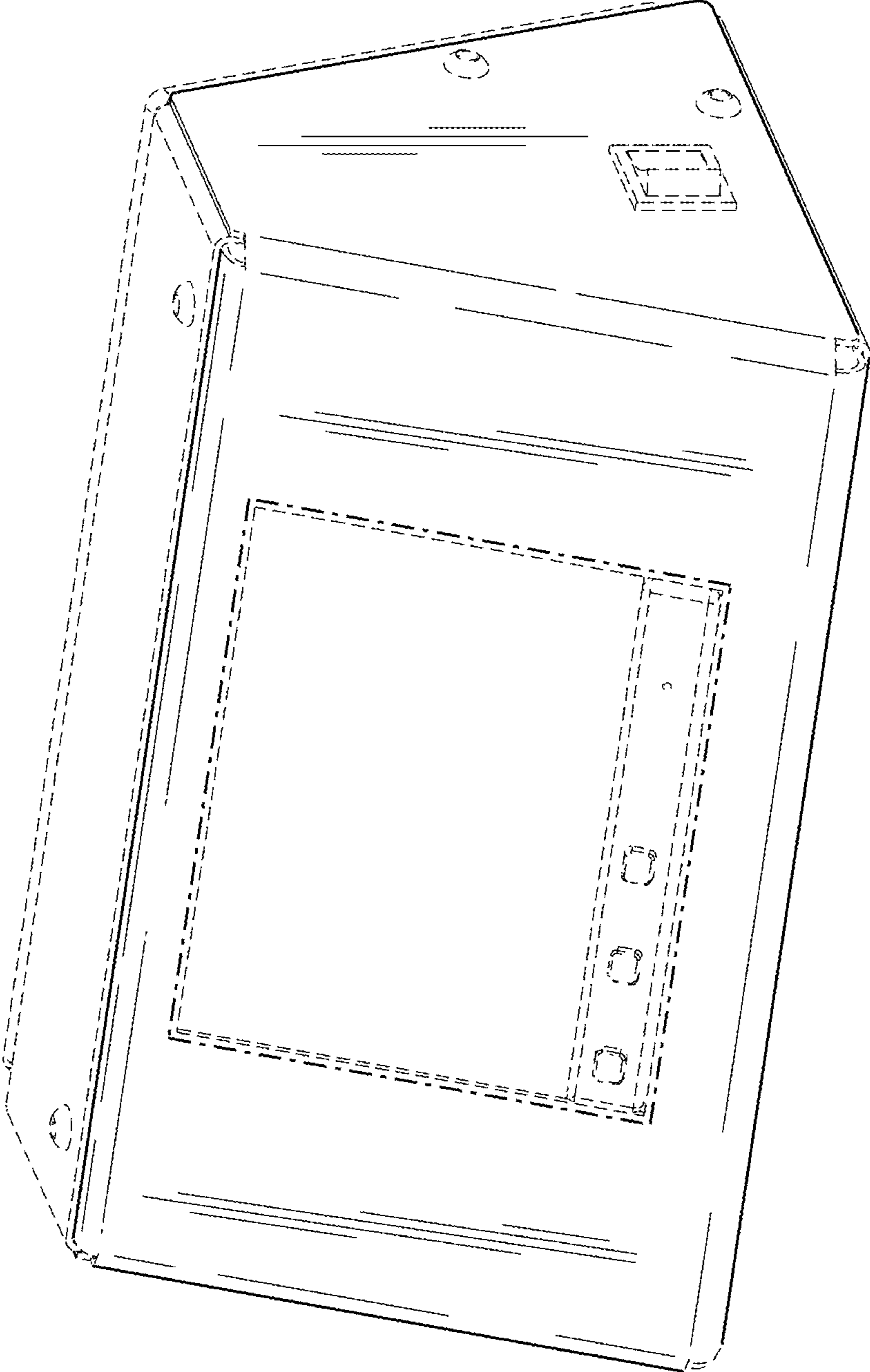


FIG. 2

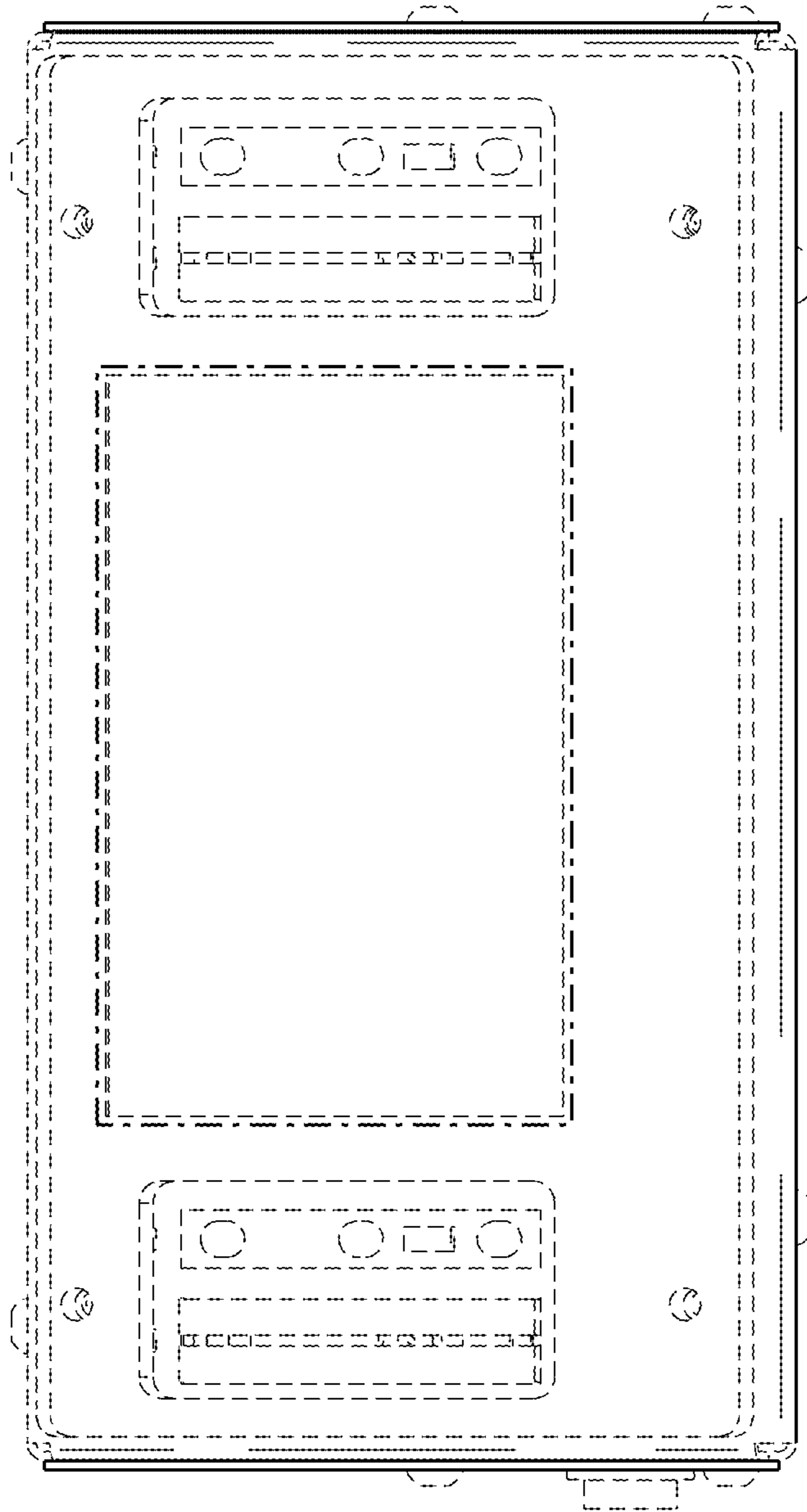


FIG. 3

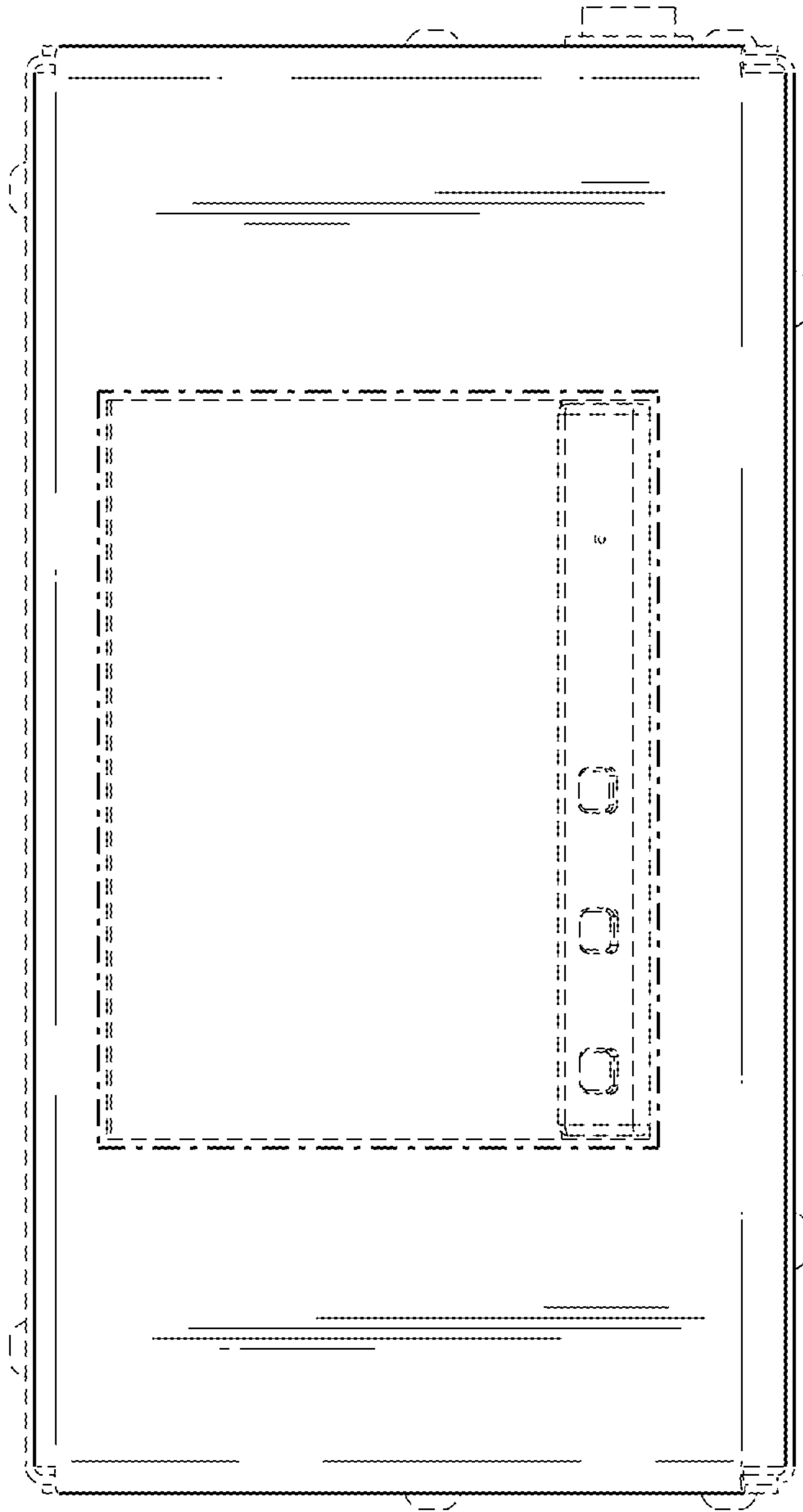


FIG. 4

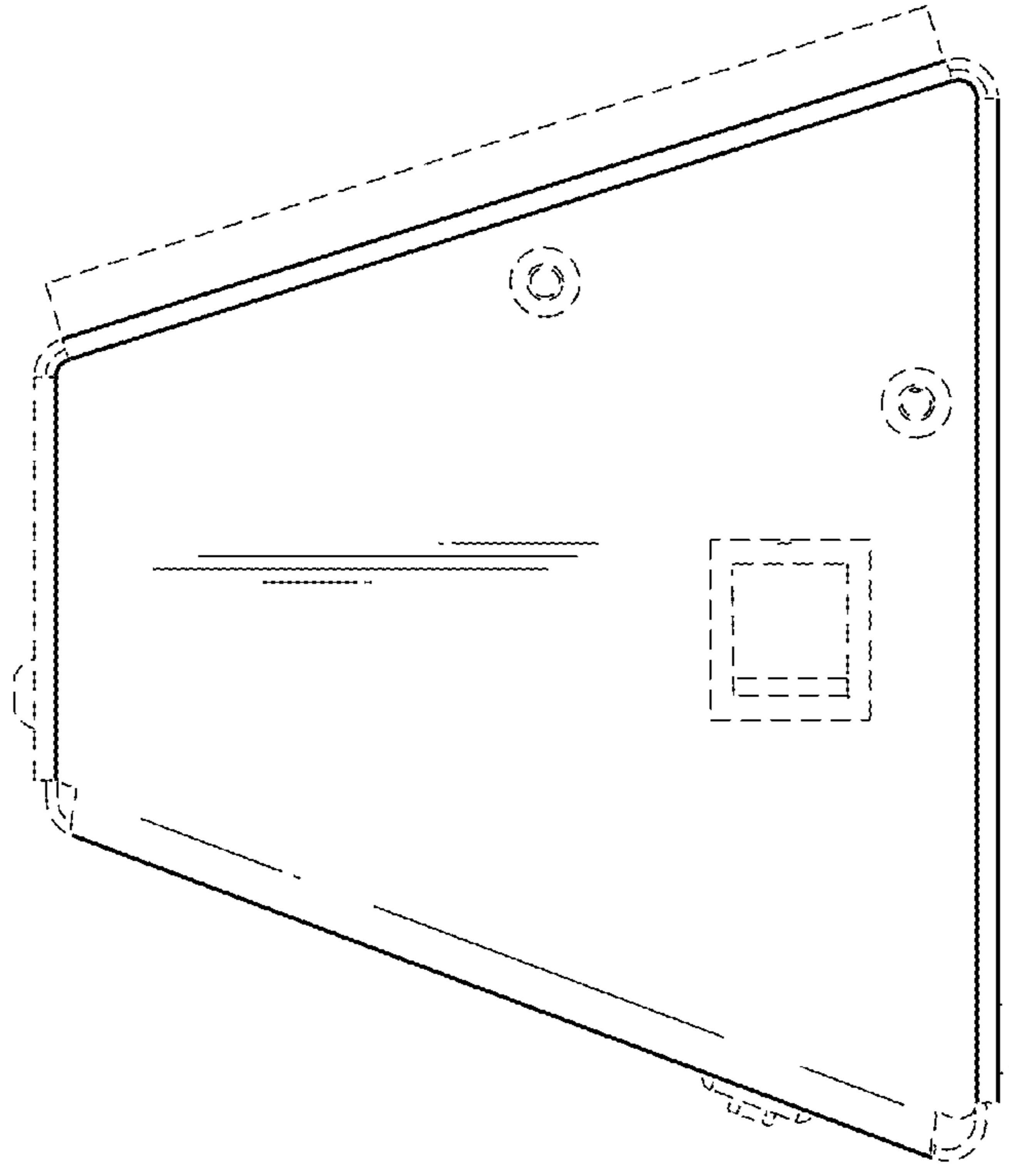


FIG. 6

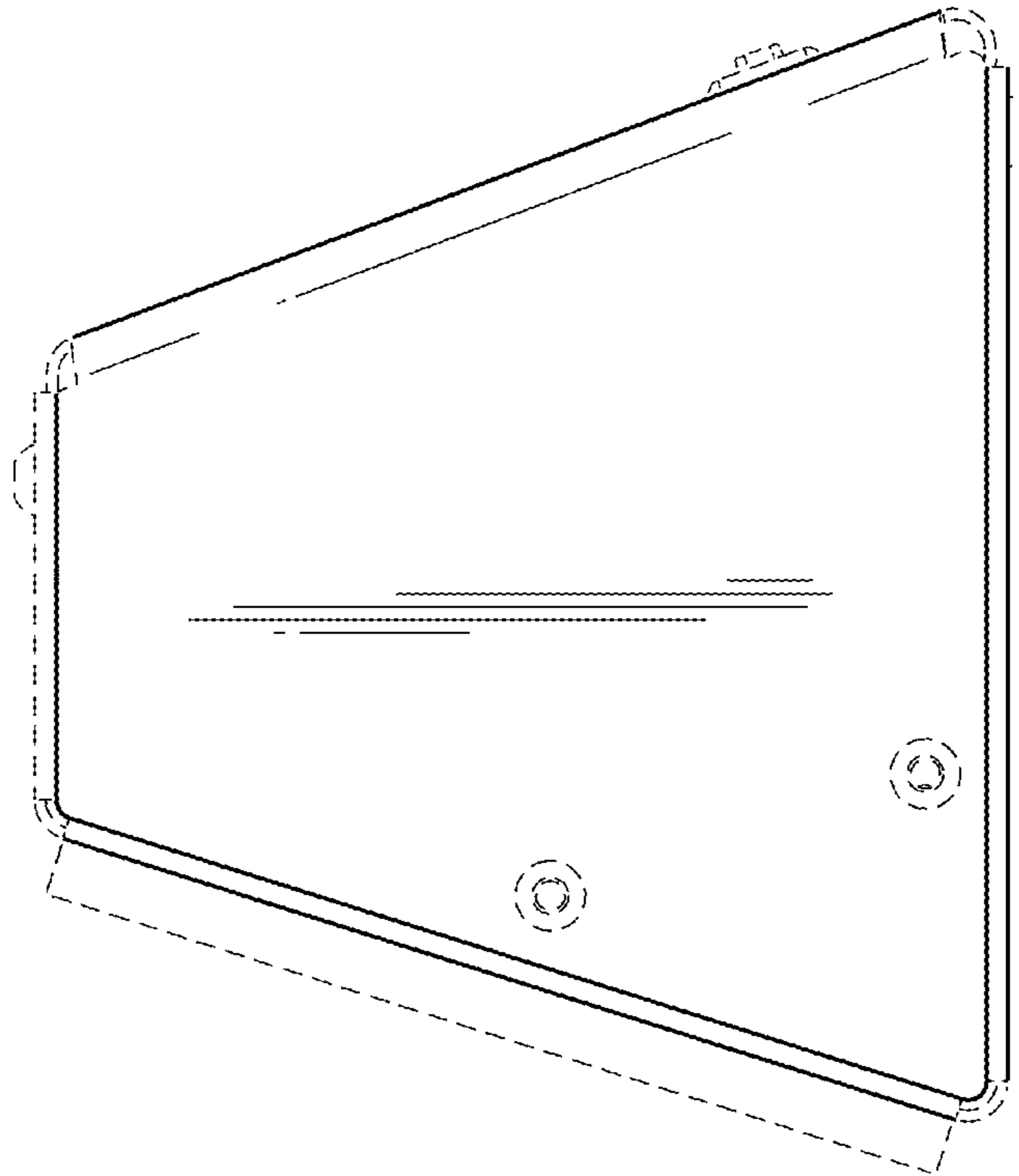


FIG. 5

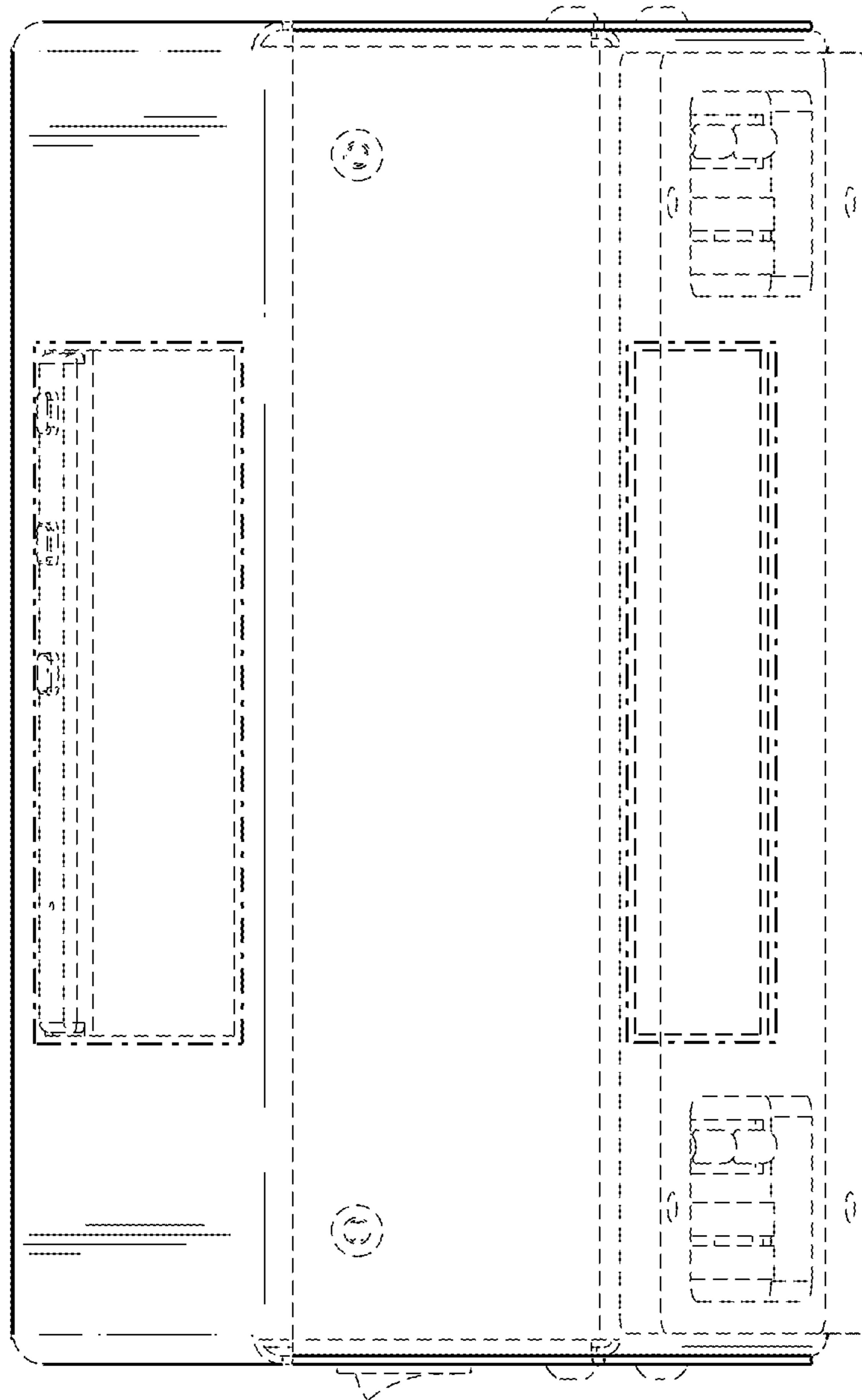


FIG. 7

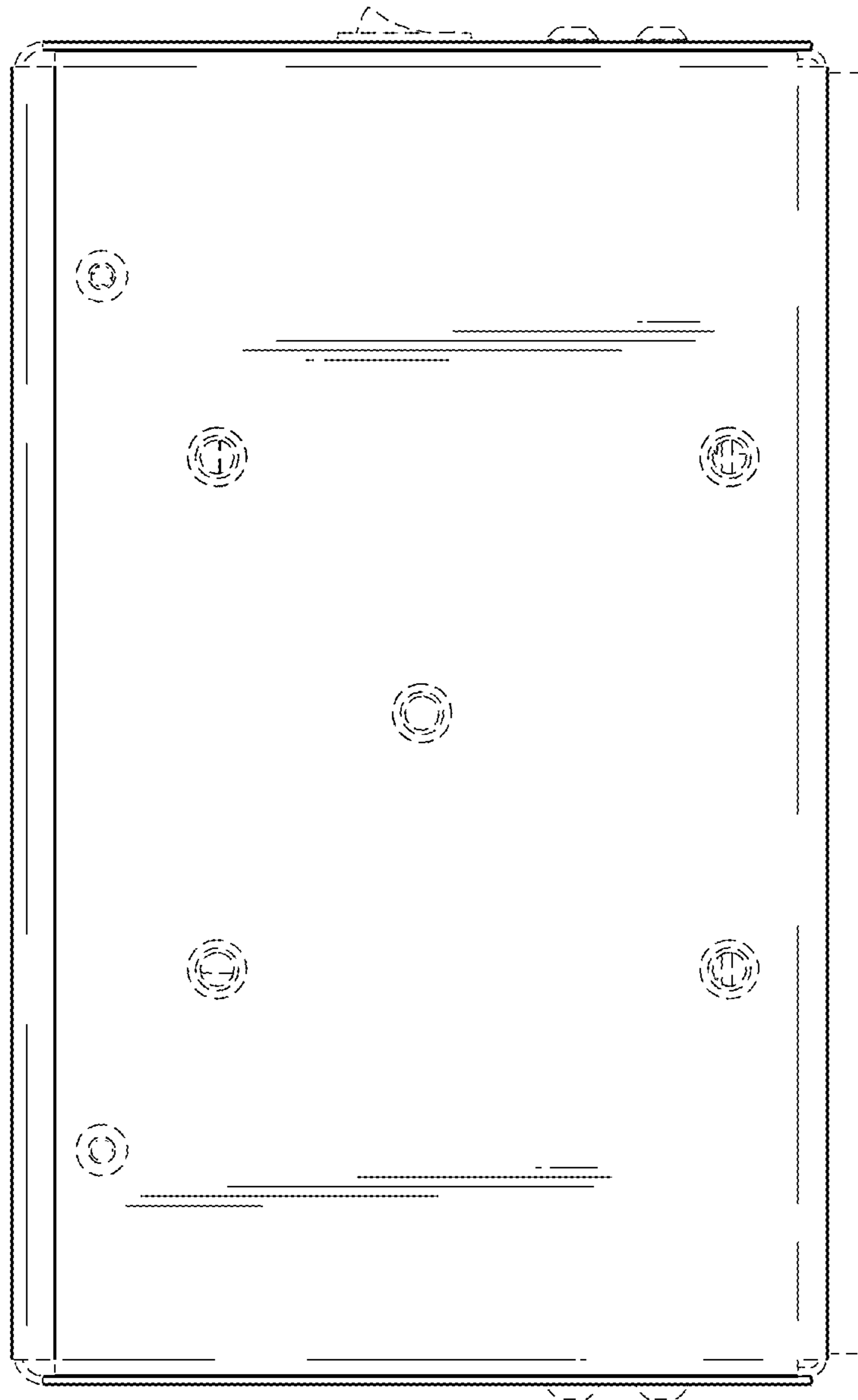


FIG. 8