



US00D956586S

(12) **United States Design Patent** (10) **Patent No.:** **US D956,586 S**  
**Wang** (45) **Date of Patent:** **\*\* Jul. 5, 2022**

(54) **LINE LASER**

(71) Applicant: **AUTEL INTELLIGENT TECHNOLOGY CORP., LTD.,**  
Guangdong (CN)

(72) Inventor: **Yongshuai Wang,** Guangdong (CN)

(73) Assignee: **AUTEL INTELLIGENT TECHNOLOGY CORP., LTD.,**  
Shenzhen (CN)

(\*\*) Term: **15 Years**

(21) Appl. No.: **29/725,735**

(22) Filed: **Feb. 26, 2020**

(30) **Foreign Application Priority Data**

Aug. 26, 2019 (CN) ..... 201930465059.1

(51) **LOC (13) Cl.** ..... **10-04**

(52) **U.S. Cl.**  
USPC ..... **D10/70**

(58) **Field of Classification Search**  
USPC ..... D10/70, 80, 78; D8/320, 373, 380, 37;  
D6/548, 323

CPC ..... G01C 22/006; G01C 22/00; G01C 3/22;  
G01C 13/008; G01C 3/02; G01C 21/20;  
G01C 22/02; G01C 23/005; G01C 3/00;  
G01C 3/12; G01C 5/06; G01B 3/12;  
G01B 5/0023; G01B 7/02; G01B 3/02;  
G01B 3/1046; G01B 3/1084; G01B 5/00;  
G01B 2003/1025; G01B 2003/103; G01B  
2003/1035; G01B 2003/1064; G01B 3/04;  
G01B 3/1005; G01B 3/1043; G01B  
3/1056; G01B 3/1089; G01B 3/11; G01B  
3/16; G01B 3/30; G01B 5/0002; G01B  
5/0011; G01B 5/003; G01B 5/004; G01B  
5/02; G01B 5/061; G01B 5/207; B25F  
1/00; B25H 7/00; B27B 27/02; G01K  
11/20; G01P 3/50; H04W 16/18; H04W

16/20; H04W 24/00; H04W 24/02; H04W  
24/04; H04W 24/06; H04W 24/08; H04W  
24/10; H04W 84/18; H04W 84/20; H04W  
84/22

See application file for complete search history.

(56) **References Cited**

U.S. PATENT DOCUMENTS

D19,587	S	*	1/1890	Steltz	.....	D8/363
D86,963	S	*	5/1932	Maves	.....	D8/380
D306,110	S	*	2/1990	Thompson	.....	D6/553
D322,555	S	*	12/1991	Kokenge	.....	D8/380
5,145,135	A	*	9/1992	Thompson	.....	A47F 5/0876
						211/60.1
D553,481	S	*	10/2007	Kubota	.....	D8/367
D570,715	S	*	6/2008	Di Federico	.....	D10/70
D726,559	S	*	4/2015	Wingate	.....	D10/65
D854,431	S	*	7/2019	Raji	.....	D10/70
10,722,770	B1	*	7/2020	Beaumont	.....	G01B 9/027
10,921,426	B2	*	2/2021	Tang	.....	G01S 7/40

(Continued)

*Primary Examiner* — George D. Kirschbaum  
*Assistant Examiner* — Antoinette Martine Suiter

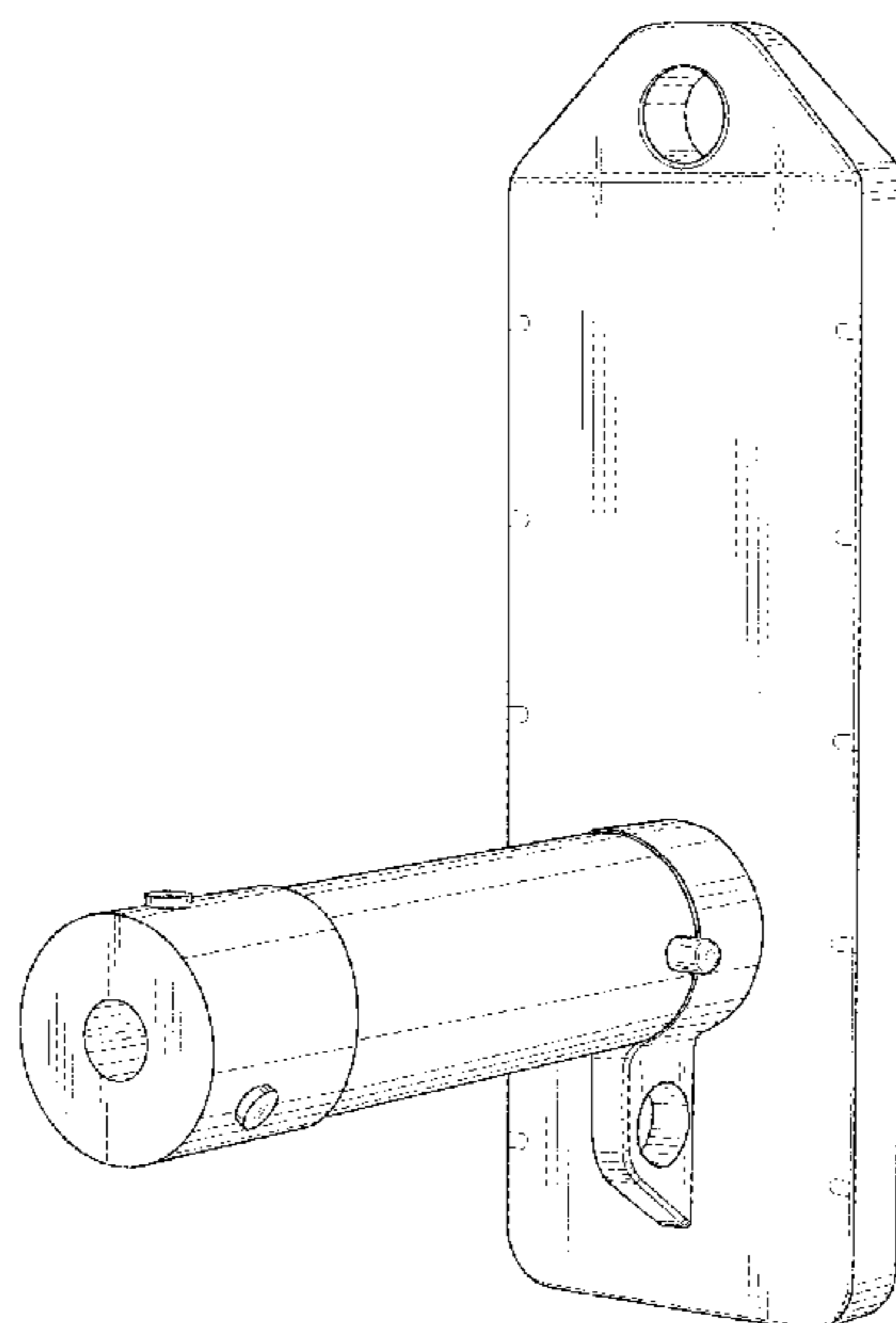
(57) **CLAIM**

I claim the ornamental design for a line laser, as shown and described.

**DESCRIPTION**

FIG. 1 is a front elevational view of a line laser showing our new design;  
FIG. 2 is a back elevational view thereof;  
FIG. 3 is a left side elevational view thereof;  
FIG. 4 is a right side elevational view thereof;  
FIG. 5 is a top plan view thereof;  
FIG. 6 is a bottom plan view thereof; and,  
FIG. 7 is a perspective view thereof.  
The broken lines found in FIGS. 1 and 7 represent features of the article that form no part of the claimed design.

**1 Claim, 7 Drawing Sheets**



(56)

**References Cited**

U.S. PATENT DOCUMENTS

D918,024 S \* 5/2021 Landgren ..... D8/380  
2016/0202056 A1\* 7/2016 Senger ..... G01C 3/02  
356/3  
2021/0306621 A1\* 9/2021 Ma ..... G06T 7/80

\* cited by examiner

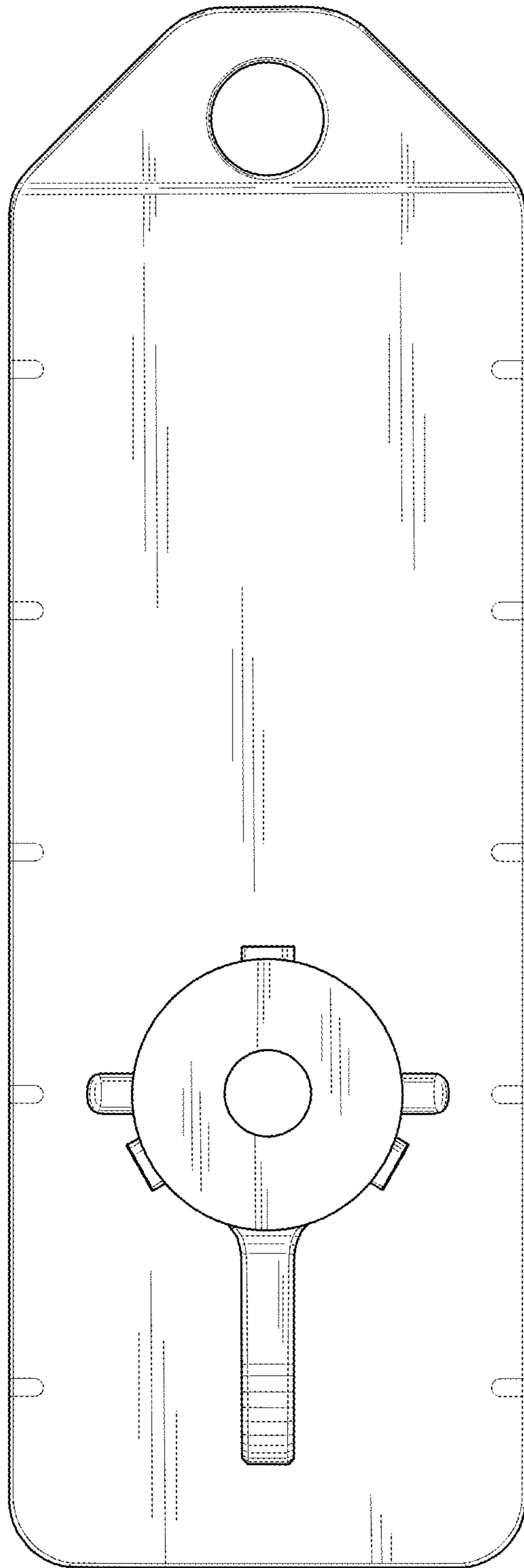


FIG.1

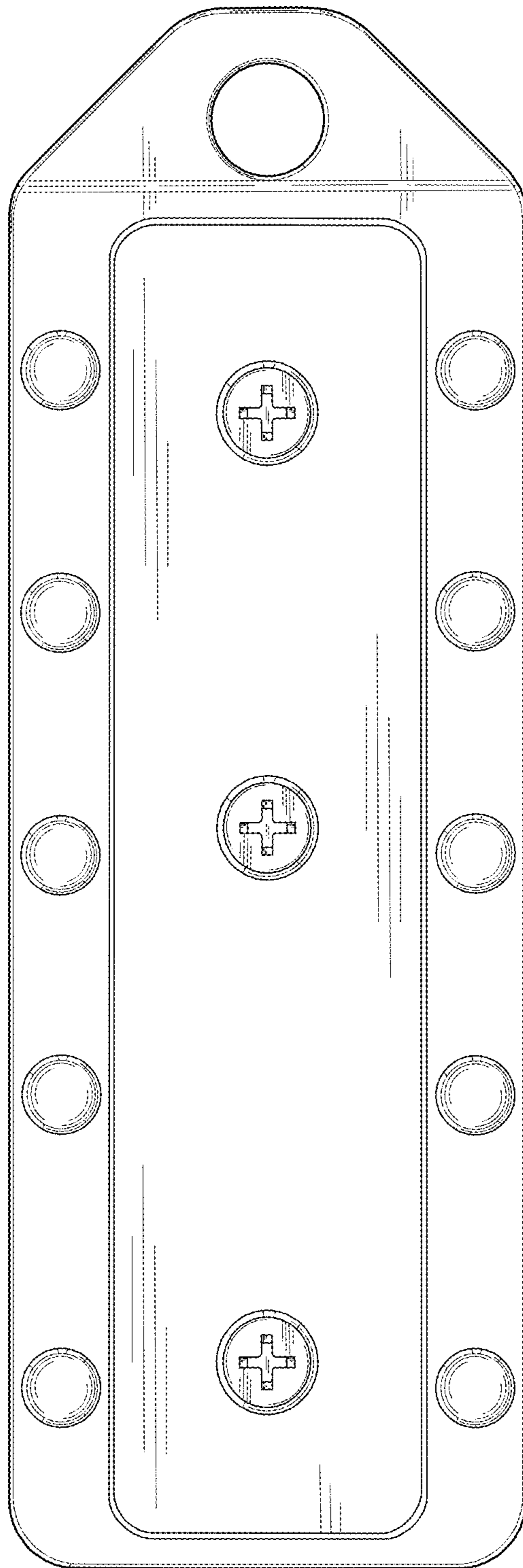


FIG.2

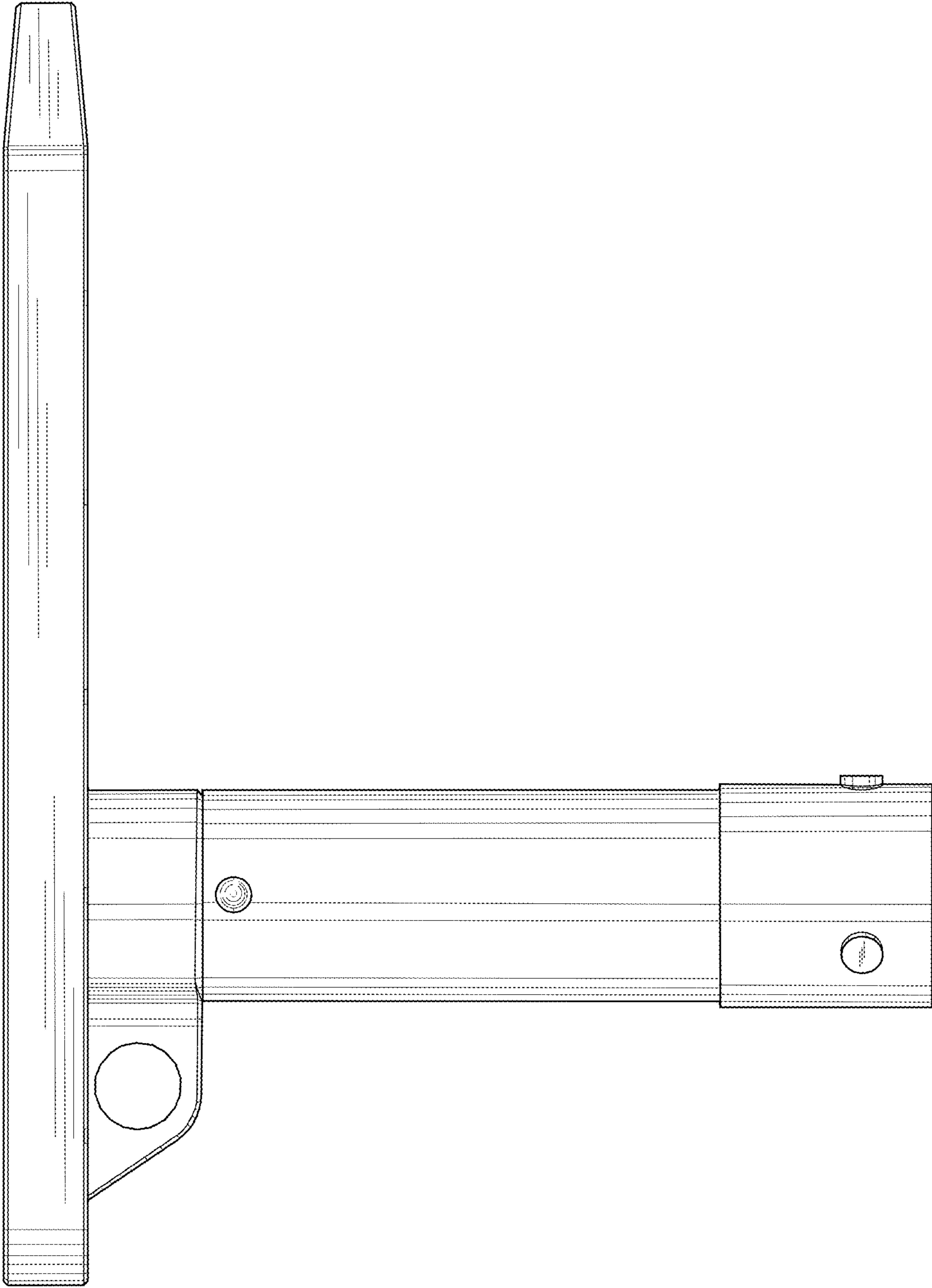


FIG.3

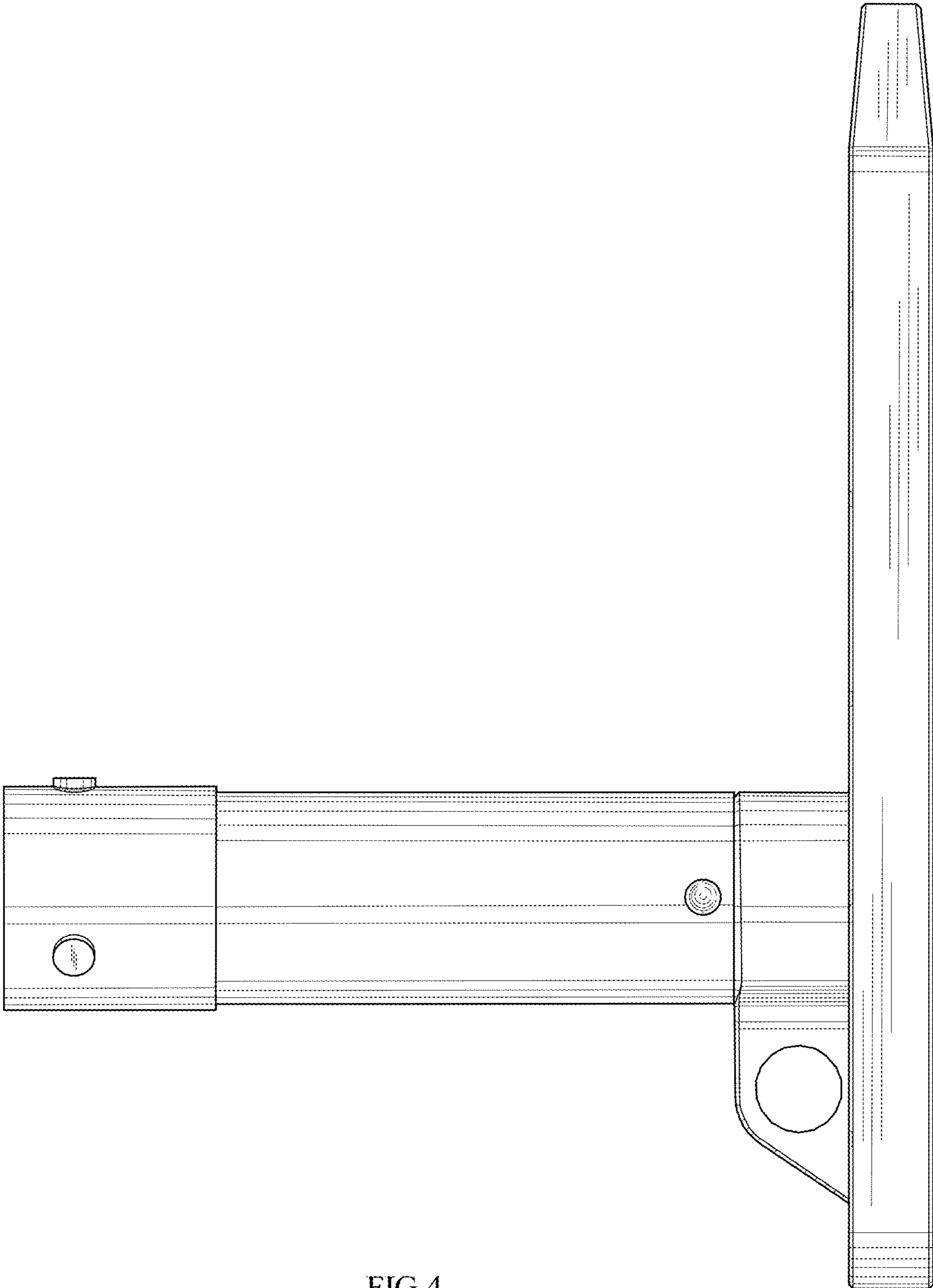


FIG. 4

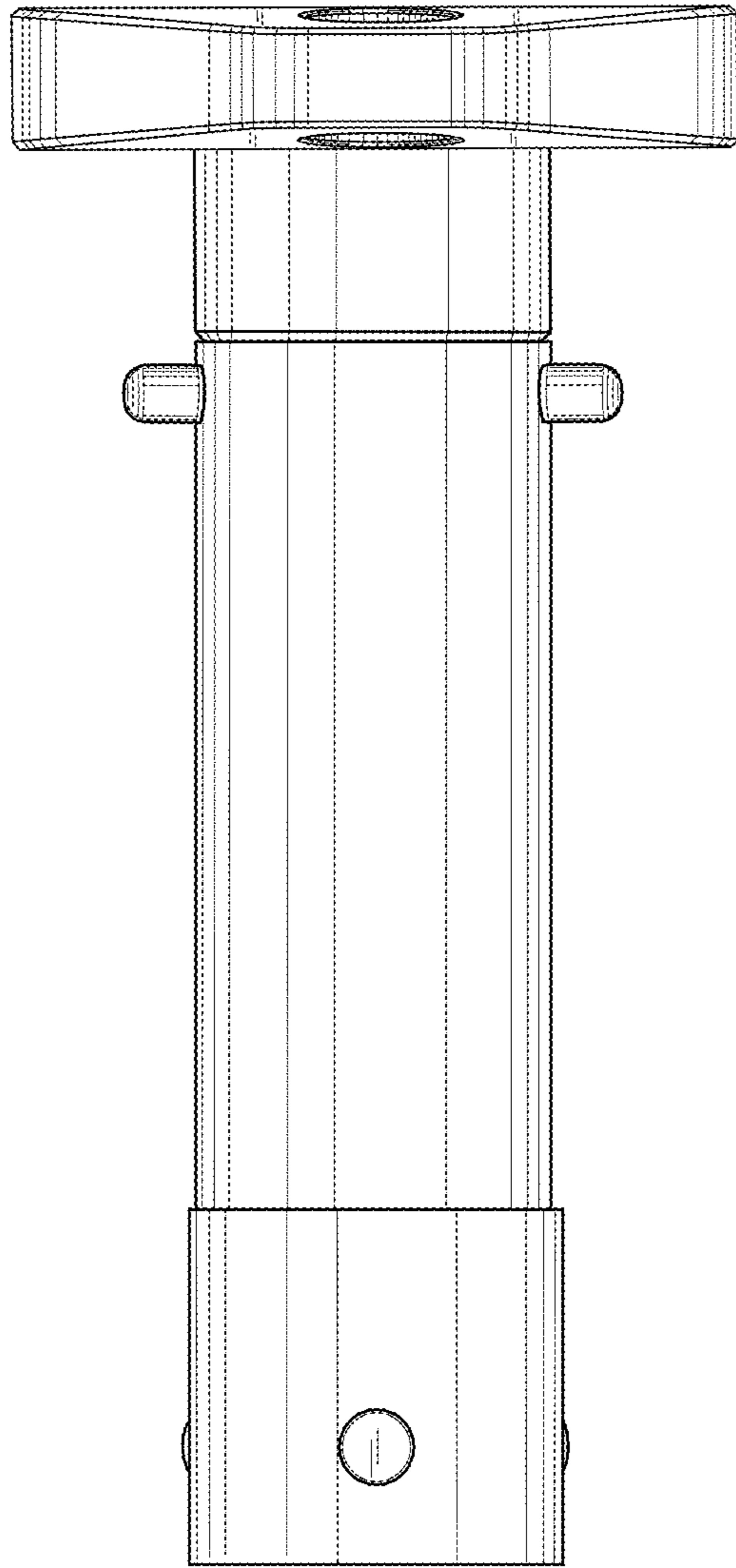


FIG.5

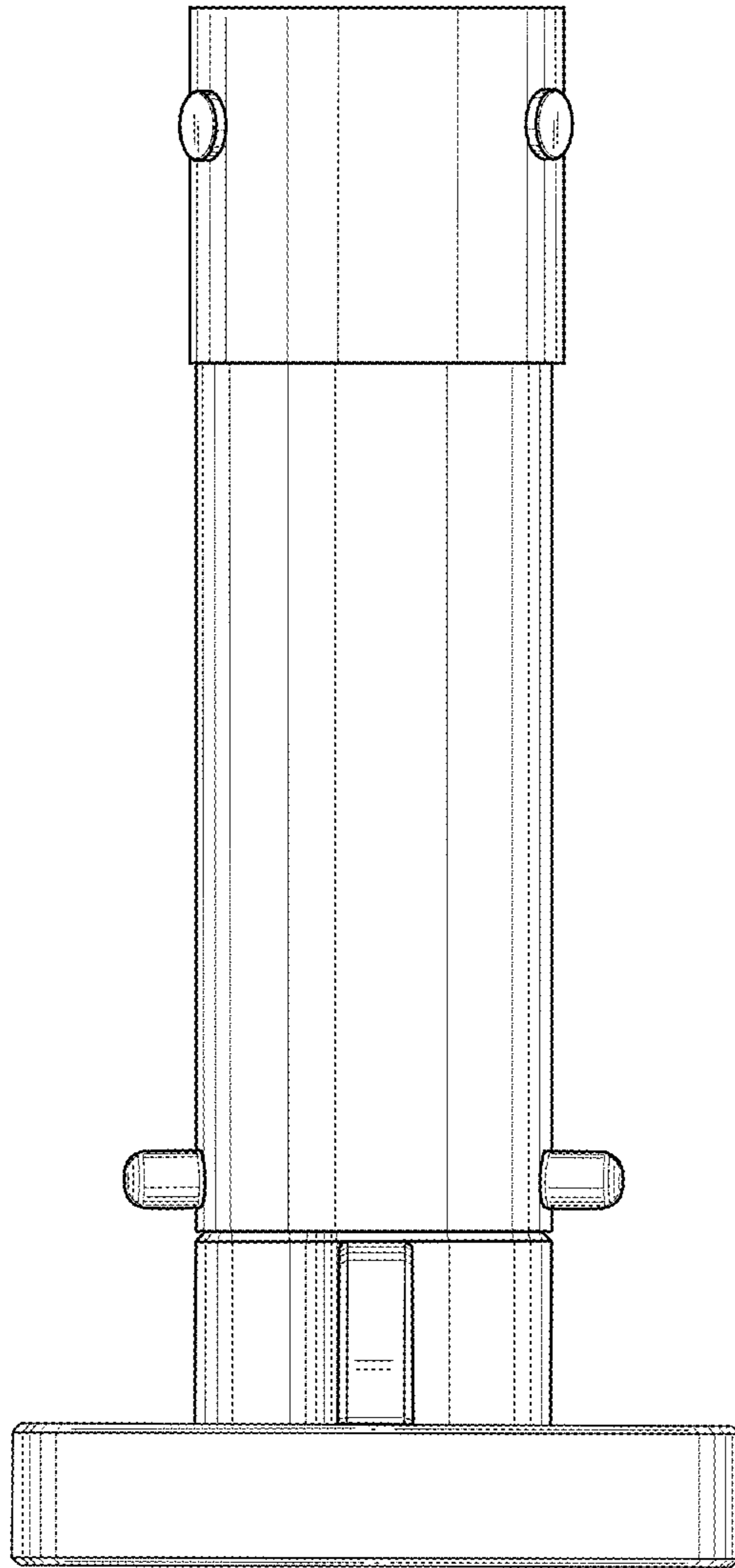


FIG.6



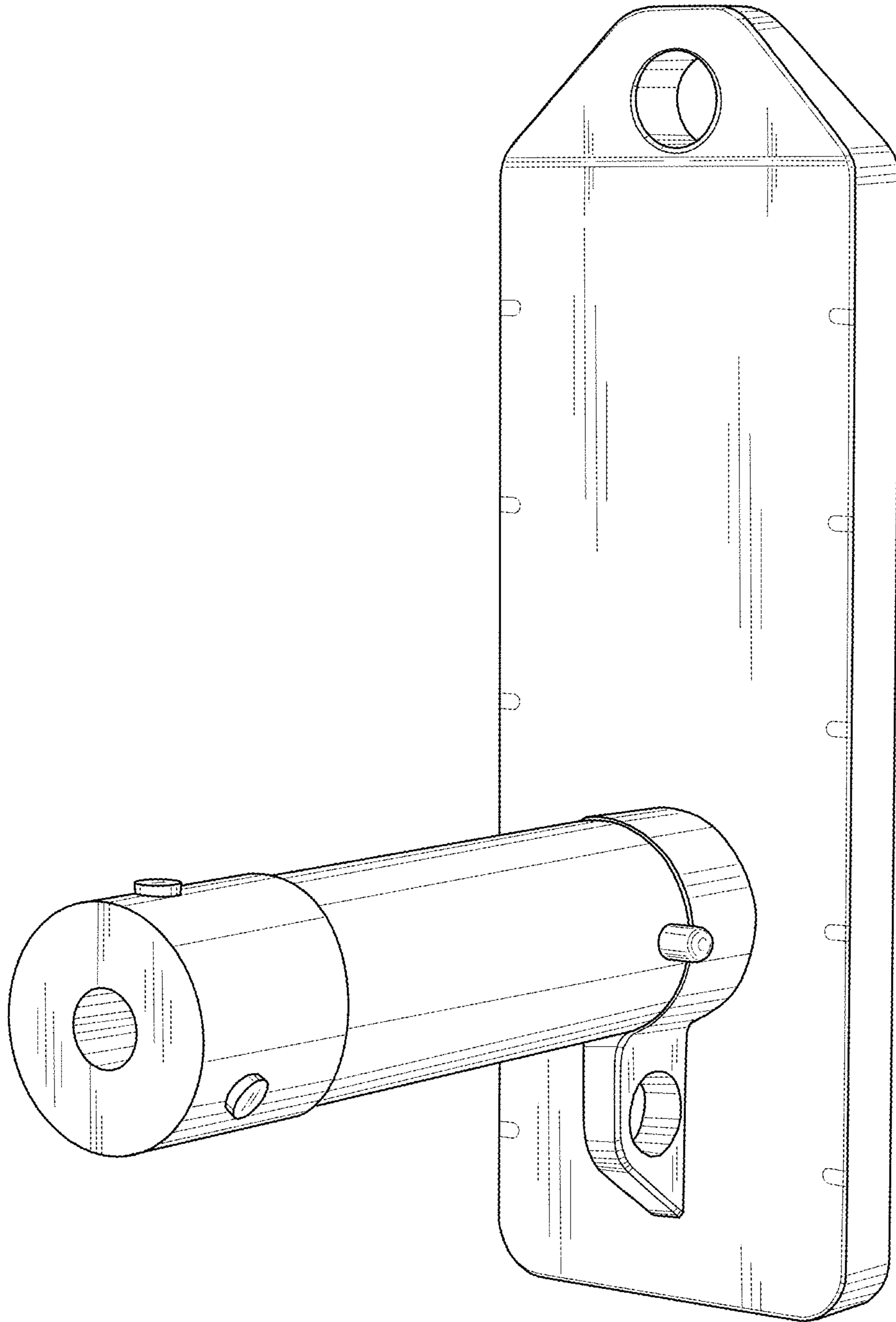


FIG. 7