



US00D956581S

(12) **United States Design Patent**  
**Rogers et al.**

(10) **Patent No.:** **US D956,581 S**  
(45) **Date of Patent:** **\*\* Jul. 5, 2022**

(54) **TIMER**

(71) Applicant: **Time Timer LLC**, Cincinnati, OH (US)

(72) Inventors: **David M. Rogers**, Cincinnati, OH (US); **Tricia L. Wright**, San Francisco, CA (US)

(73) Assignee: **Time Timer, LLC**, Cincinnati, OH (US)

(\*\*) Term: **15 Years**

(21) Appl. No.: **29/721,307**

(22) Filed: **Jan. 20, 2020**

(51) **LOC (13) Cl.** ..... **10-03**

(52) **U.S. Cl.**  
USPC ..... **D10/40**

(58) **Field of Classification Search**  
USPC .. D10/1, 2, 21-29, 40, 41, 46.1, 83, 85, 87;  
D21/531

(Continued)

(56) **References Cited**

**U.S. PATENT DOCUMENTS**

2,011,517 A 8/1935 Geoffrion  
2,336,563 A 12/1943 Nielsen

(Continued)

**FOREIGN PATENT DOCUMENTS**

EM 002013763-001 6/2012  
EM 002013763-002 6/2012

(Continued)

**OTHER PUBLICATIONS**

Time Timer, At Work with Time Time, YouTube.com, Jan. 21, 2010.  
Retrieved from the internet on Jun. 14, 2021 <URL: <https://youtu.be/i0v74XCE-uQ>> (Year: 2010).\*

(Continued)

*Primary Examiner* — Joseph Kukella

(74) *Attorney, Agent, or Firm* — Wood Herron & Evans LLP

(57) **CLAIM**

The ornamental design for a timer, as shown and described.

**DESCRIPTION**

FIG. 1 is an isometric view of one embodiment of timer illustrating our new design.

FIG. 2 is a front view thereof.

FIG. 3 is a rear view thereof.

FIG. 4 is a right side view thereof.

FIG. 5 is a left side view thereof.

FIG. 6 is a top view thereof.

FIG. 7 is a bottom view thereof.

FIG. 8 is an isometric view of another embodiment of our new design.

FIG. 9 is a front view thereof.

FIG. 10 is a rear view thereof.

FIG. 11 is a right side view thereof.

FIG. 12 is a left side view thereof.

FIG. 13 is a top view thereof.

FIG. 14 is a bottom view thereof.

FIG. 15 is an isometric view of our design of FIGS. 1-7 in combination with a display card.

FIG. 16 is a front view thereof.

FIG. 17 is a rear view thereof.

FIG. 18 is a right side view thereof.

FIG. 19 is a left side view thereof.

FIG. 20 is a top view thereof.

FIG. 21 is a bottom view thereof.

FIG. 22 is an isometric view of our design of FIGS. 8-14 in combination with a display card.

FIG. 23 is a front view thereof.

FIG. 24 is a rear view thereof.

FIG. 25 is a right side view thereof.

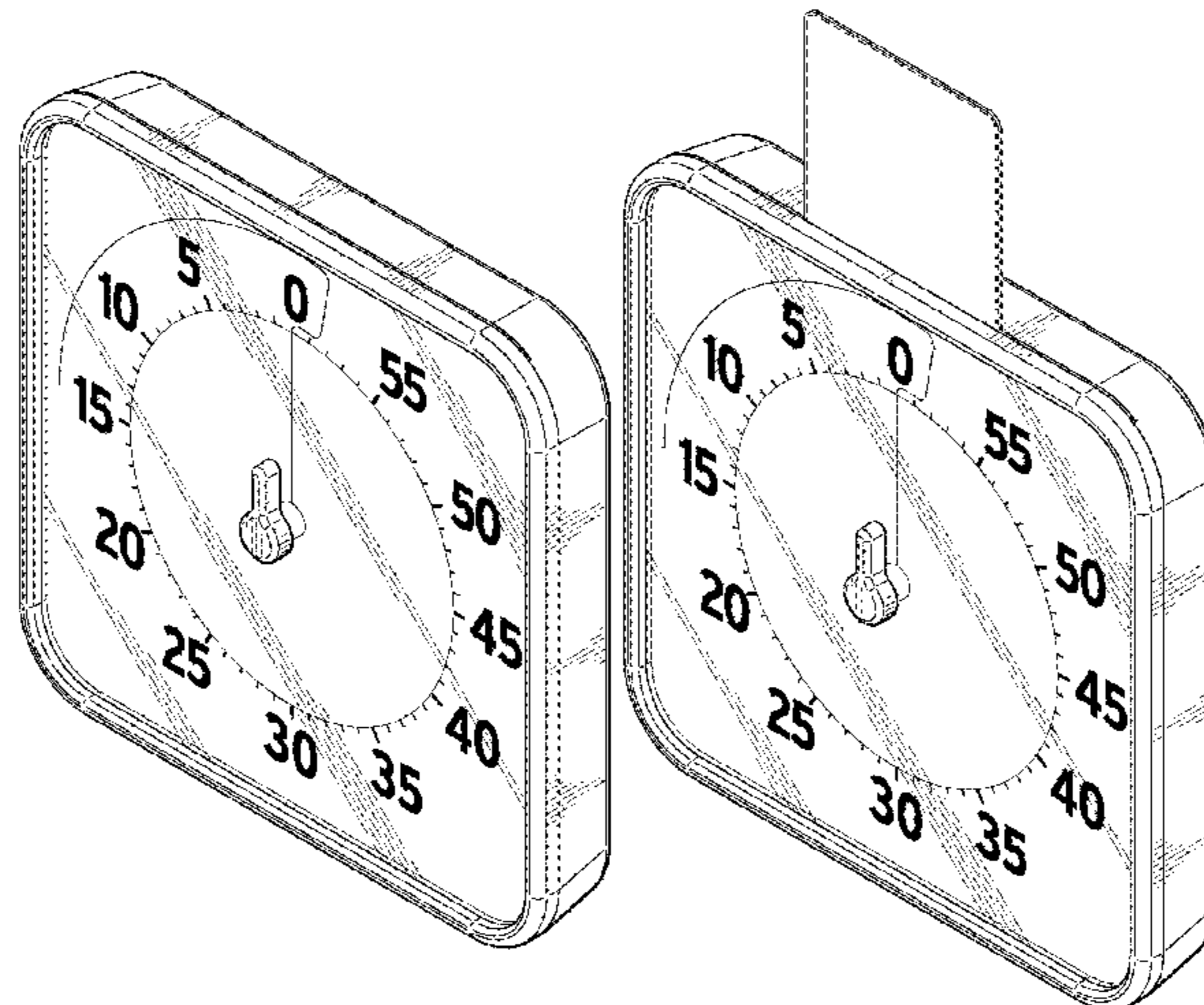
FIG. 26 is a left side view thereof.

FIG. 27 is a top view thereof; and,

FIG. 28 is a bottom view thereof.

Any elements shown in broken lines form no part of the claimed invention, and are instead included to show environmental aspects of the claimed invention.

**1 Claim, 20 Drawing Sheets**



(58) **Field of Classification Search**  
 CPC ..... G04C 17/00-02; G04B 19/20; G04B  
 19/202; G04B 19/205; G04B 19/28;  
 G04B 19/283; G04B 19/286  
 See application file for complete search history.

EM	002140608-003	3/2013
EM	002140608-004	3/2013
EM	002140608-005	3/2013
EP	3483662 A1	5/2019
EP	3483662 B1	12/2019
KR	200465772 Y1	3/2013
KR	101425322 B1	8/2014

(56) **References Cited**

U.S. PATENT DOCUMENTS

2,816,373	A *	12/1957	Caddy .....	G09B 23/04 434/404
D208,930	S *	10/1967	Johnson .....	D10/40
3,608,214	A	9/1971	Rancati	
3,668,858	A	6/1972	Hartwig	
3,803,831	A	4/1974	Horzick	
D235,008	S *	4/1975	Ishikawa .....	D10/40
D270,844	S *	10/1983	McIntyre .....	D18/10
4,885,731	A	12/1989	Massaro	
D321,141	S	10/1991	Aikawa	
D369,619	S	5/1996	Rogers	
5,662,479	A	9/1997	Rogers	
6,683,821	B1	1/2004	Emtyazi	
D583,686	S	12/2008	Forakis	
D626,016	S *	10/2010	Lin .....	D10/22
D671,016	S	11/2012	Rogers et al.	
D686,093	S	7/2013	Wright et al.	
D705,089	S	5/2014	Rogers et al.	
D770,310	S	11/2016	Rogers et al.	
D785,471	S	5/2017	Rogers et al.	
D796,349	S	9/2017	Rogers et al.	
D802,450	S *	11/2017	Boynton .....	D10/50
10,303,123	B1	5/2019	Rogers et al.	
D863,990	S *	10/2019	Hu .....	D10/52
D912,551	S *	3/2021	Rogers .....	G09B 23/04 D10/40
D915,224	S *	4/2021	Rogers .....	D10/40

FOREIGN PATENT DOCUMENTS

EM	002140608-001	3/2013
EM	002140608-002	3/2013

OTHER PUBLICATIONS

Time Timer, Set the Time Timer!, YouTube.com, Jul. 25, 2012. Retrieved from the internet on Jun. 14, 2021 <URL: <https://youtu.be/AdBrNoSCGA4>> (Year: 2012).\*

Thetimetimer, The Time Timer Family . . . , Instagram.com, Sep. 12, 2012. Retrieved from the internet on Jun. 14, 2021 <URL: [https://www.instagram.com/p/PflrSLCs\\_h](https://www.instagram.com/p/PflrSLCs_h)> (Year: 2012).\*

Thetimetimer, New Week. Clean Slate! Instagram.com, Mar. 22, 2021. Retrieved from the internet on Jun. 14, 2021 <URL: <https://www.instagram.com/p/CMuqOLSHnR9>> (Year: 2021).\*

European Patent Office; Search Report and Written Opinion in related European Patent Application No. EP 21152332 dated Jun. 14, 2021; 8 pages.

Rogers, David M., Declaration of David M. Rogers, Jul. 22, 2020, 19 pgs., Cincinnati, Ohio, USA.

Deercy Digital Kitchen Timer—posted at amazon.com Jan. 14, 2016 © 1996-2018, Amazon.com, Inc [online][site visited Jul. 2, 2018]. Available from internet: <<https://www.amazon.com/DEERCY-Digital-Kitchen-Display-Simplest/dp/B06WGYZW8R>> (Year: 2016).

Taylor Rotating Timer Kitchen | posted at amazon.com Mar. 2015 © 1996-2018, Amazon.com, Inc [online][site visited Jul. 2, 2018] Available from internet: <[https://www.amazon.com/Taylor-Precision-Products-Mechanical-Rotating/dp/B00UKIOKRG/ref=sr\\_1\\_8?s=kitchen&srs=9503531011&ie=UTF8&qid=1530552102&sr=1-8](https://www.amazon.com/Taylor-Precision-Products-Mechanical-Rotating/dp/B00UKIOKRG/ref=sr_1_8?s=kitchen&srs=9503531011&ie=UTF8&qid=1530552102&sr=1-8)> (Year: 2015).

Visual Schedule Kit for the Time Timer, published in 2014, Time Timer, full document (Year: 2014).

European Patent Office, Search Report and Opinion, dated Mar. 26, 2019, 5 pgs., European Patent Office, Munich, Germany.

\* cited by examiner

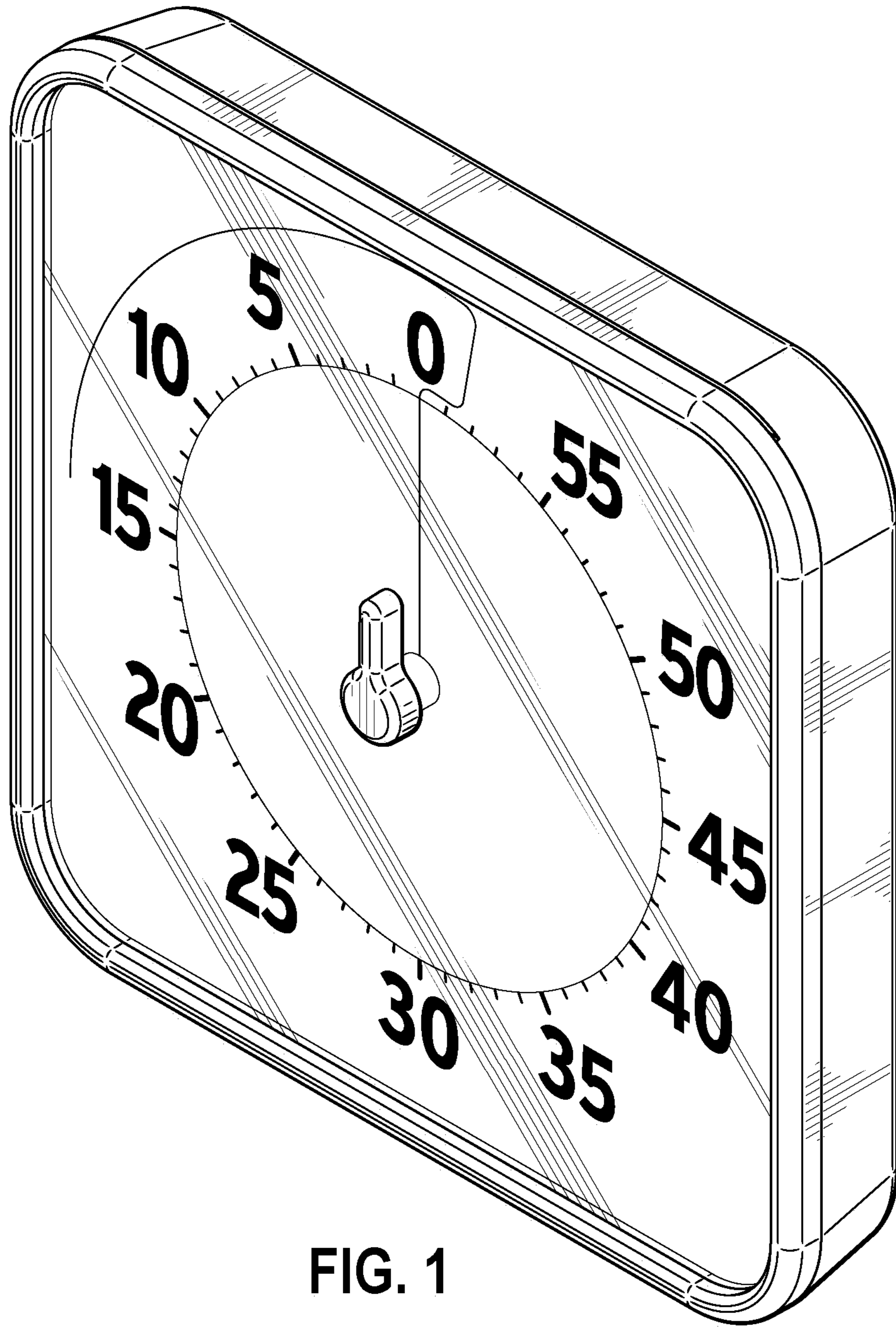


FIG. 1

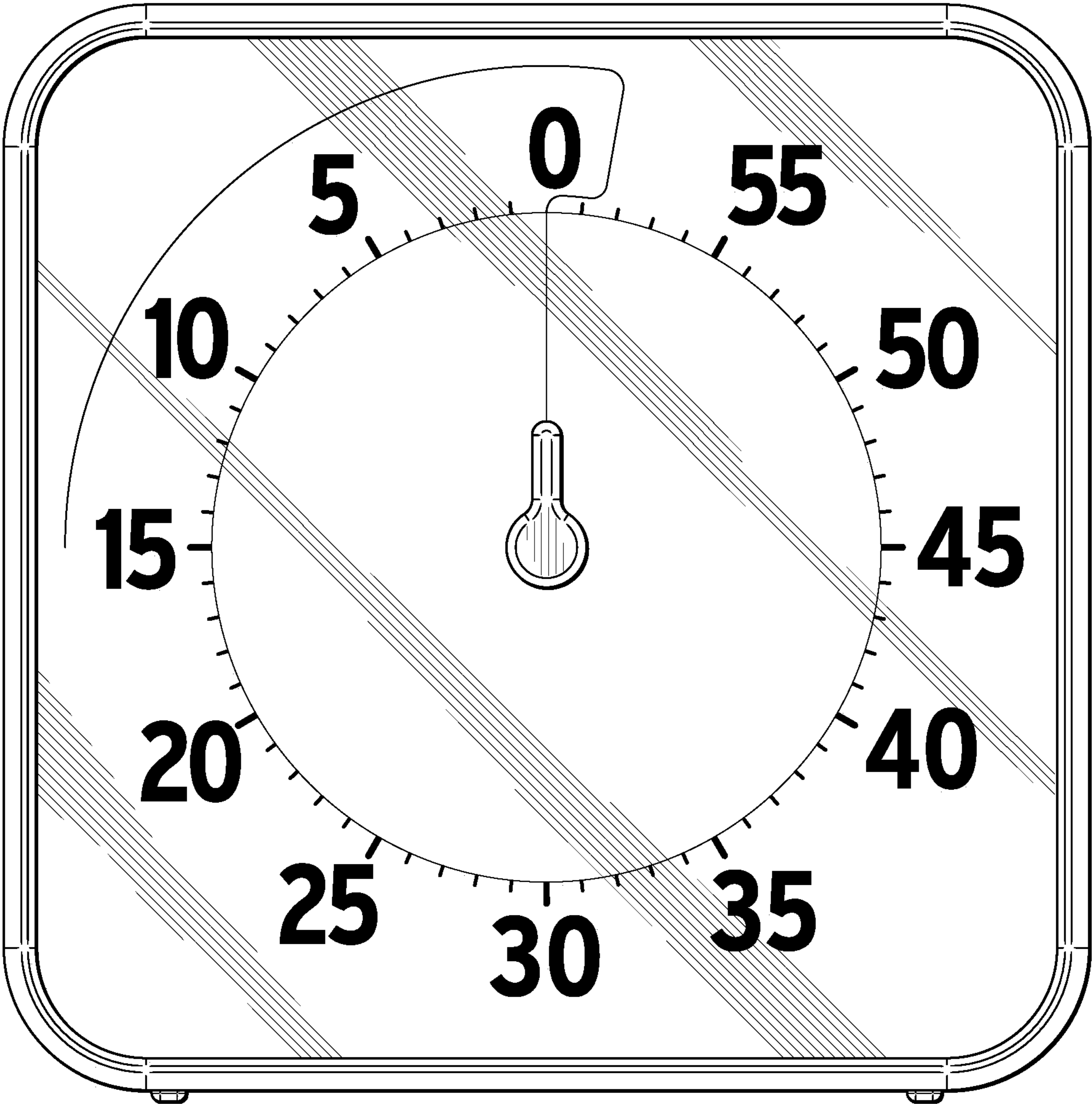


FIG. 2

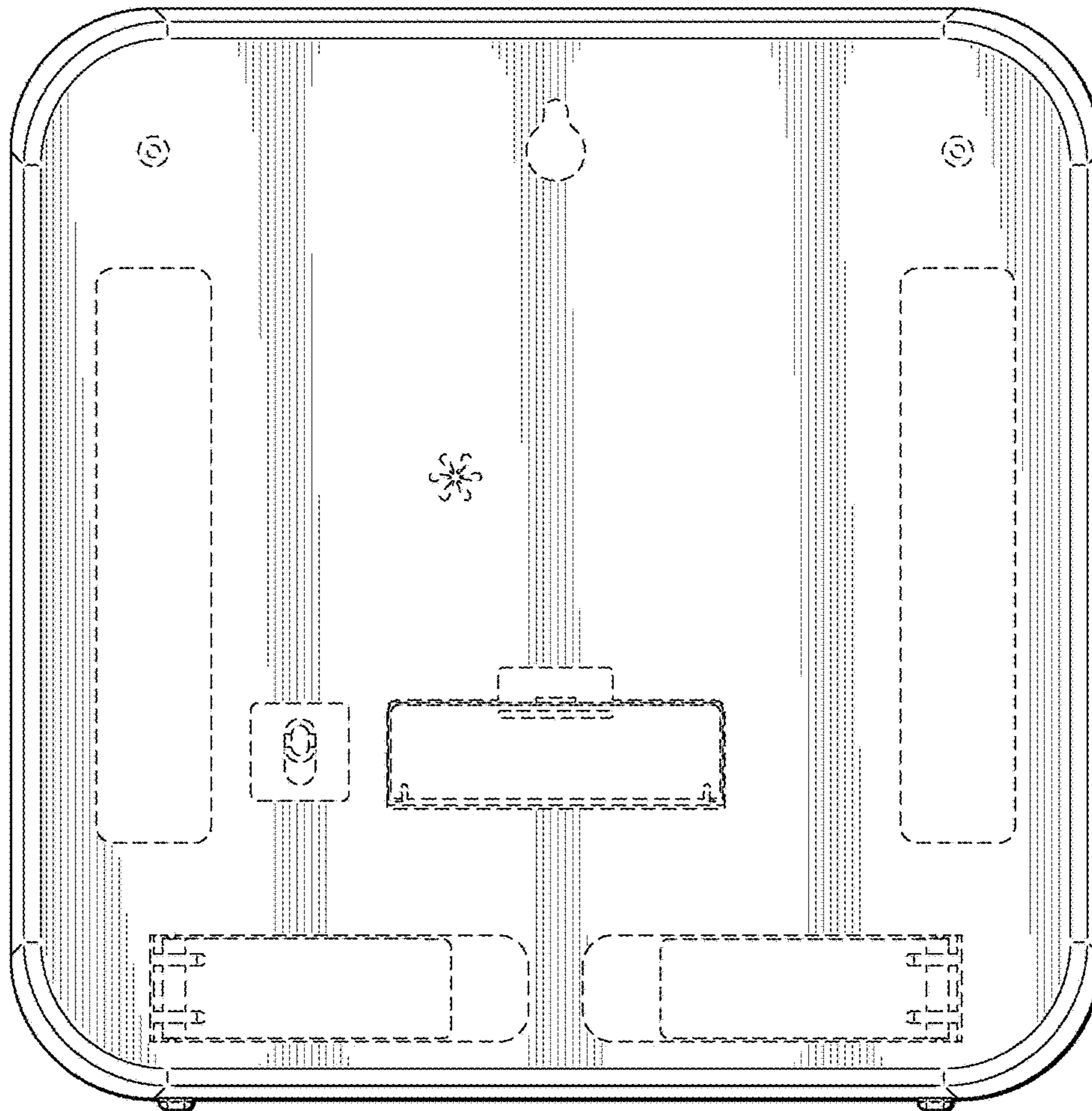


FIG. 3

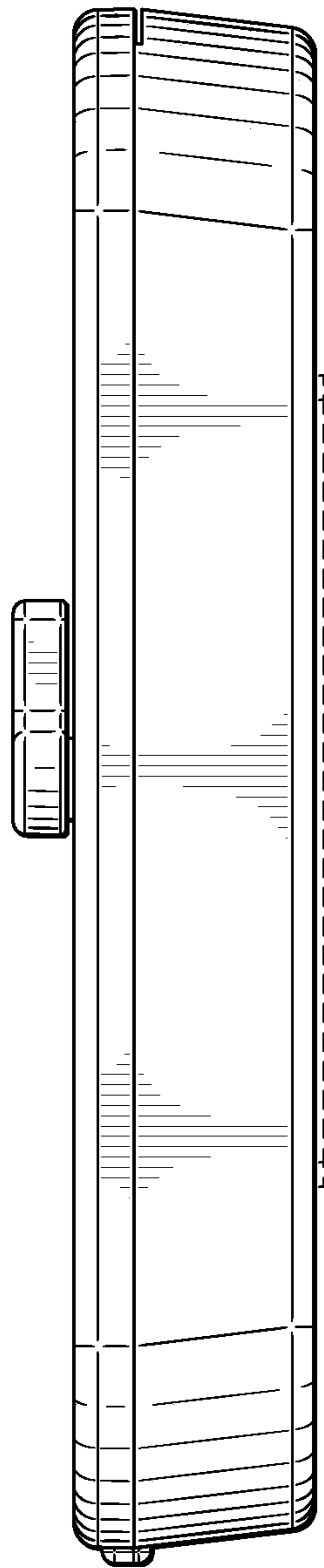


FIG. 4

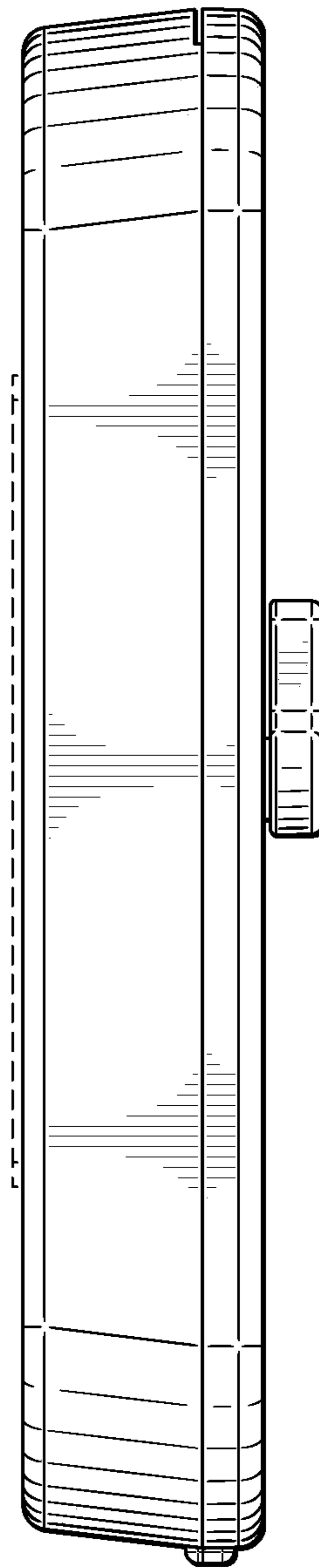


FIG. 5

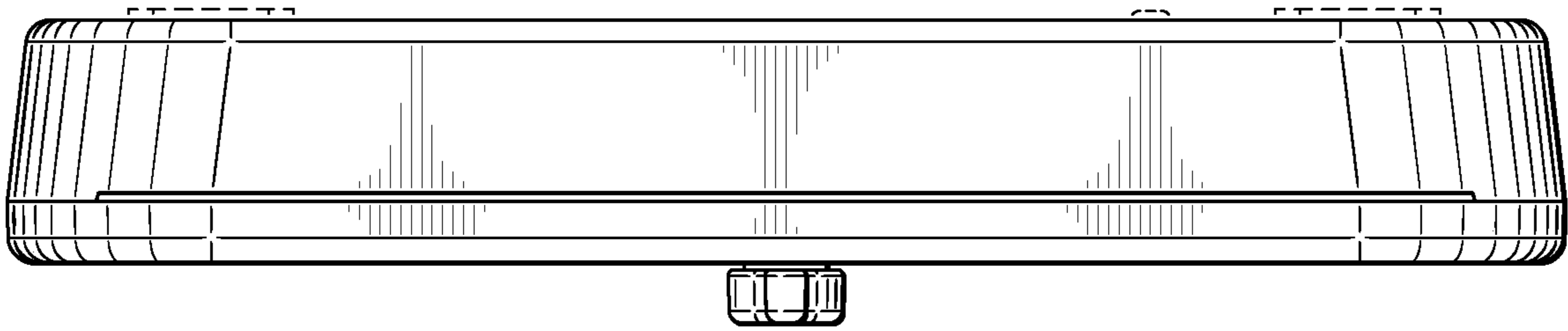


FIG. 6

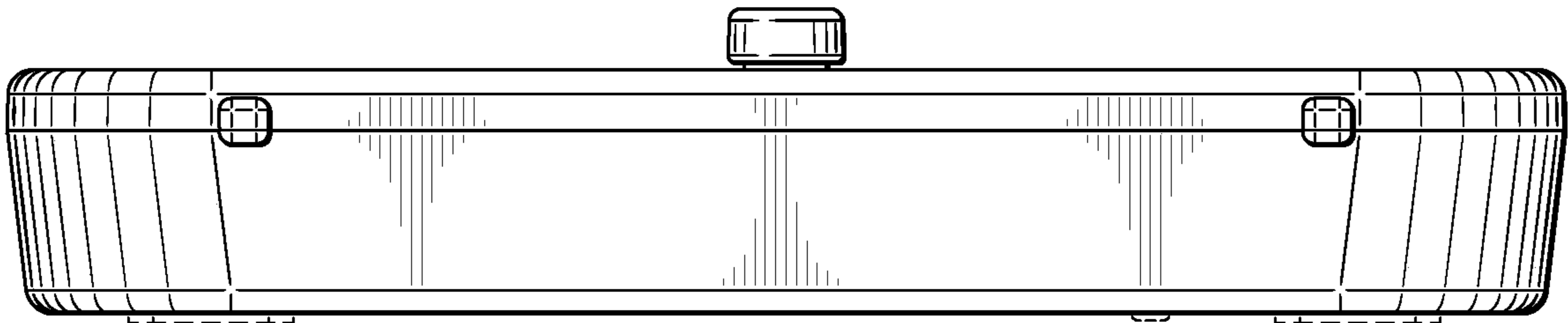


FIG. 7

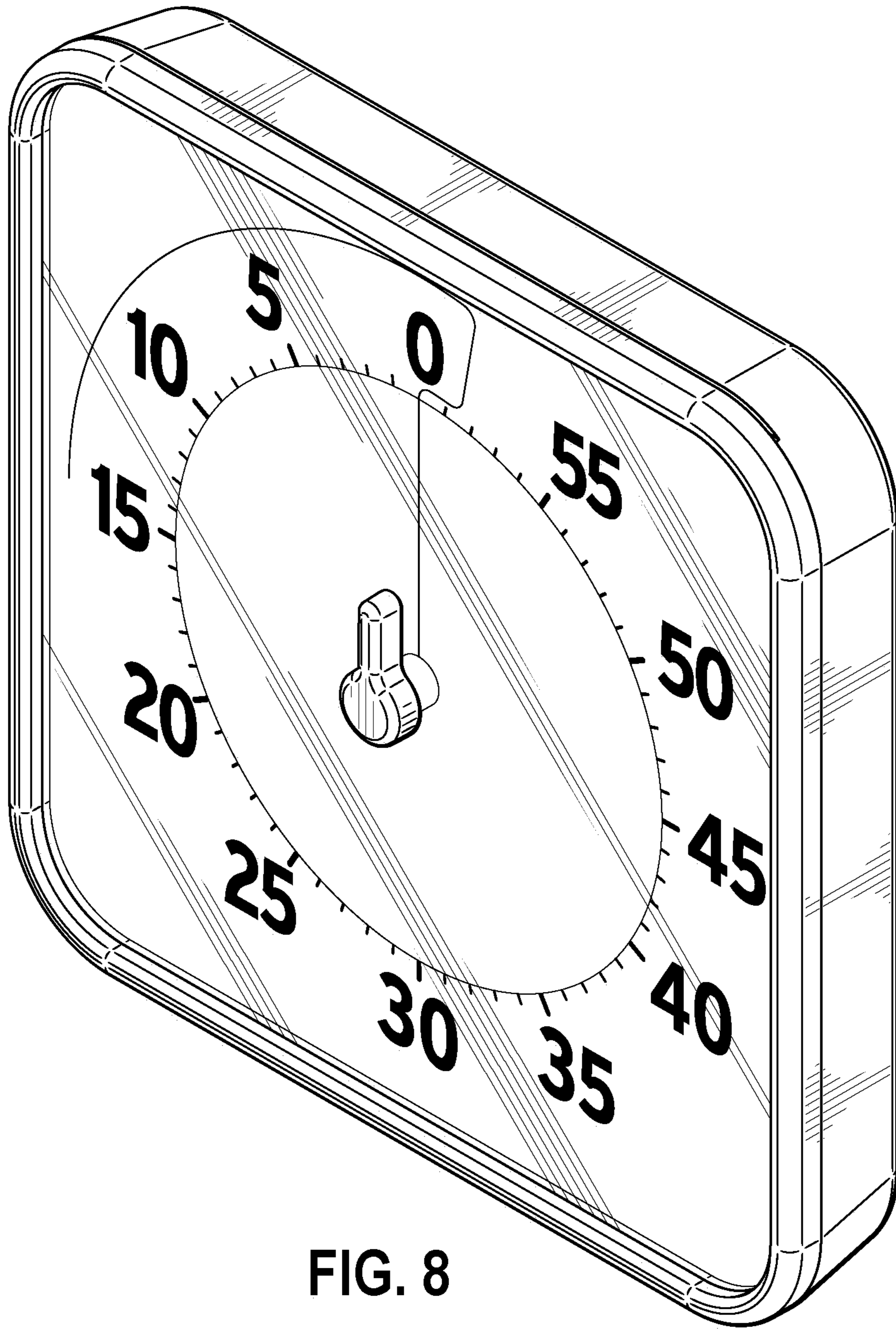


FIG. 8



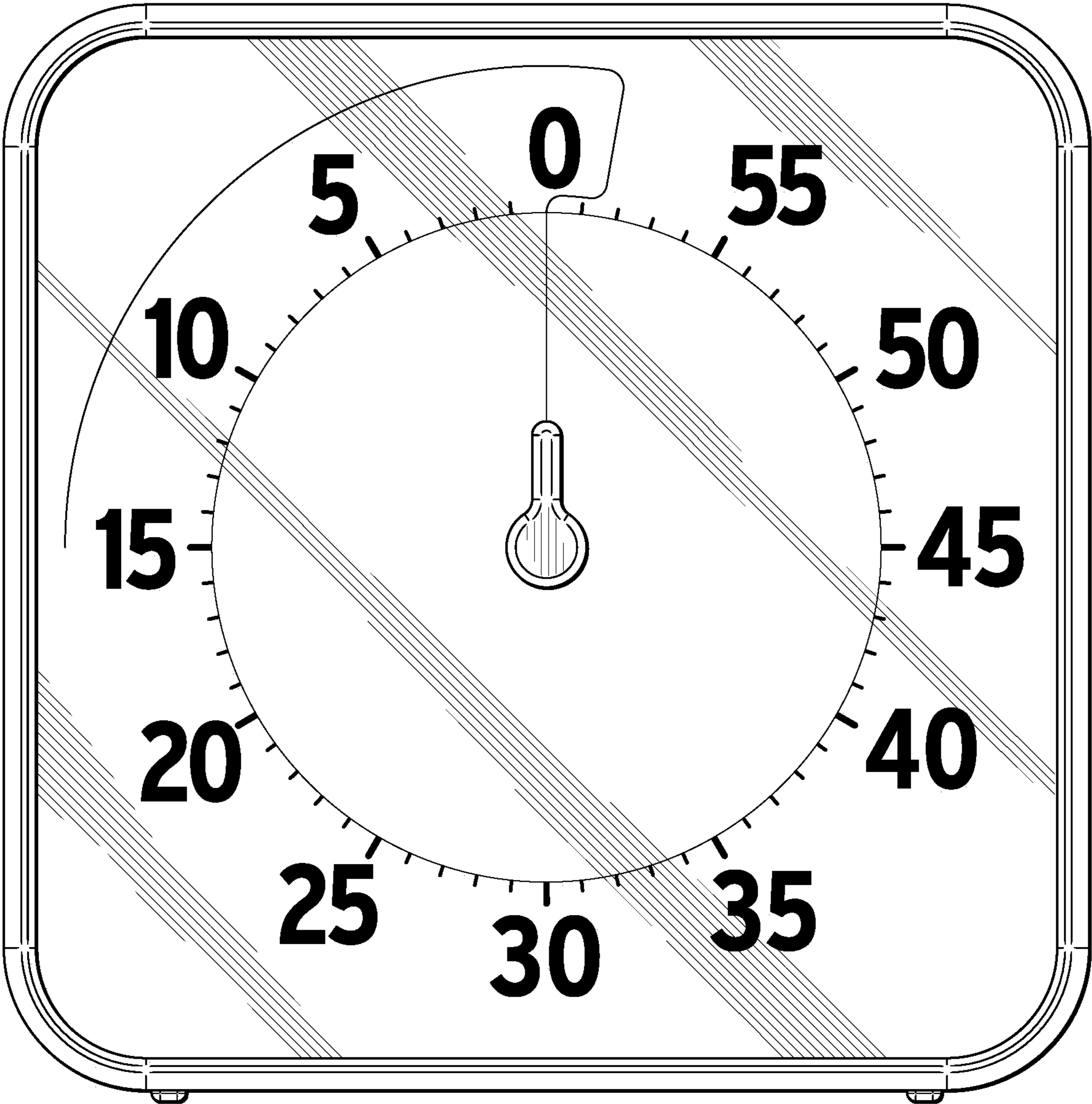


FIG. 9

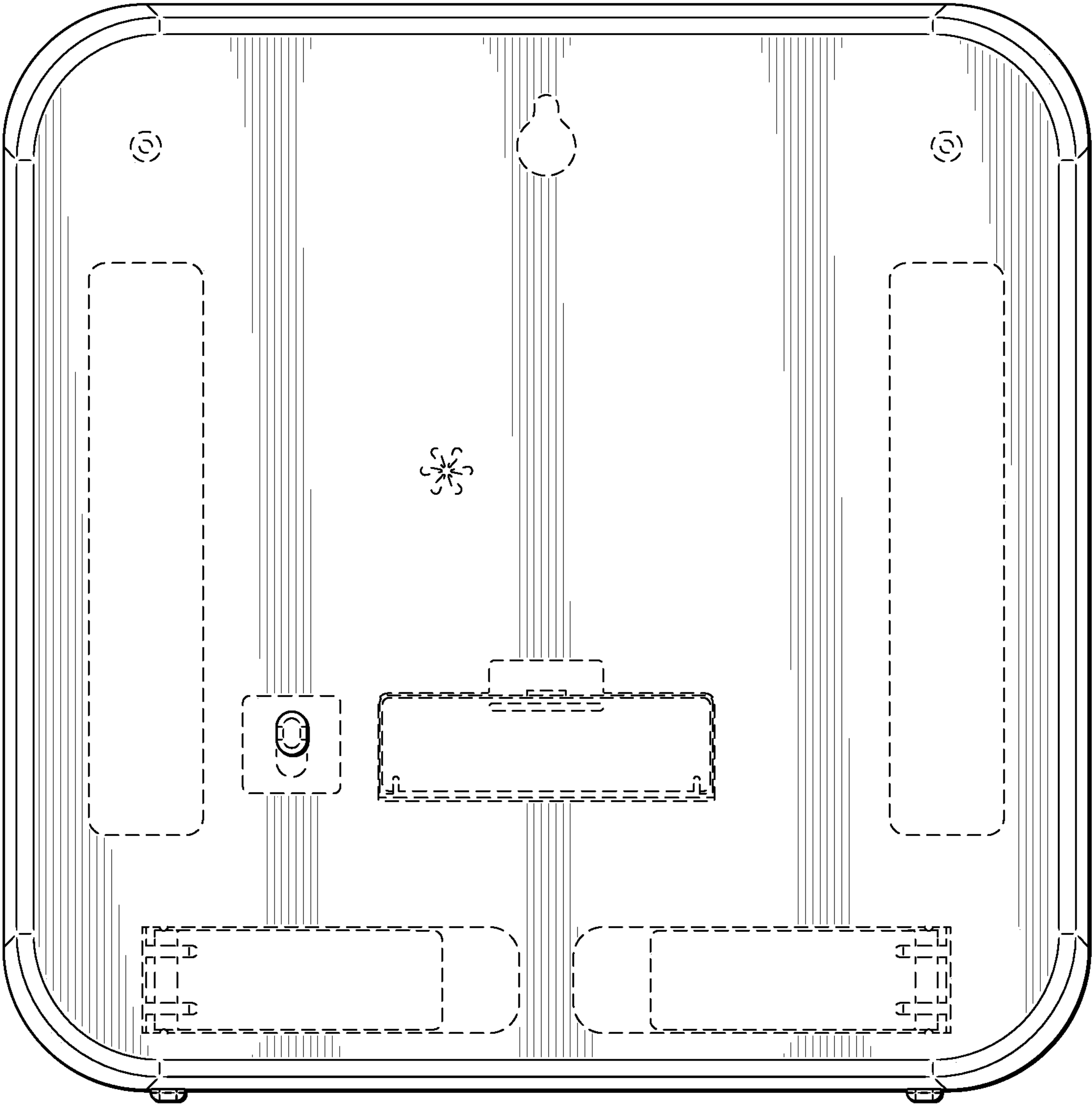


FIG. 10

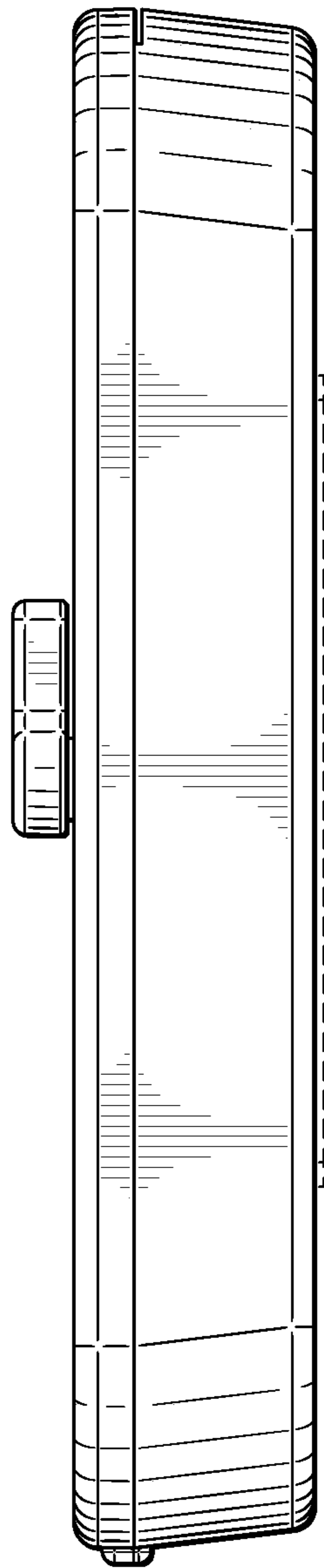


FIG. 11

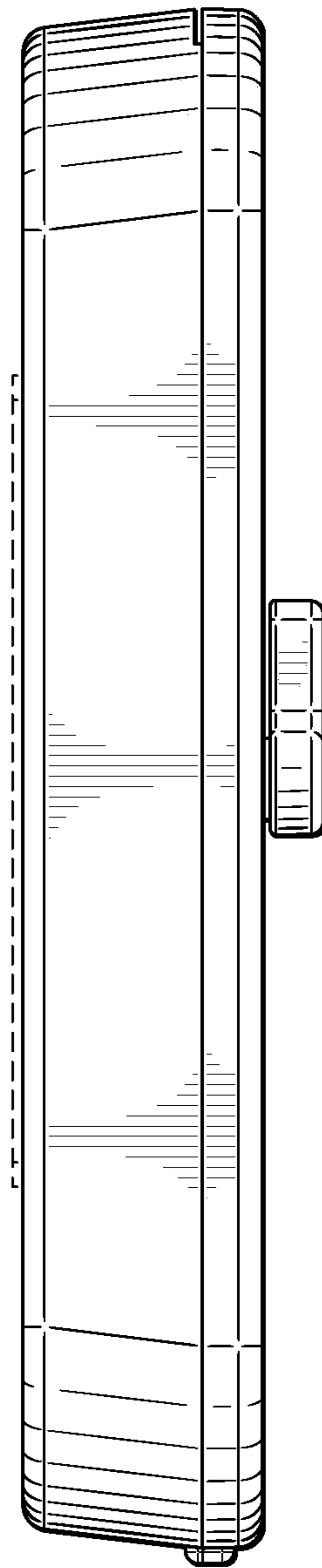


FIG. 12

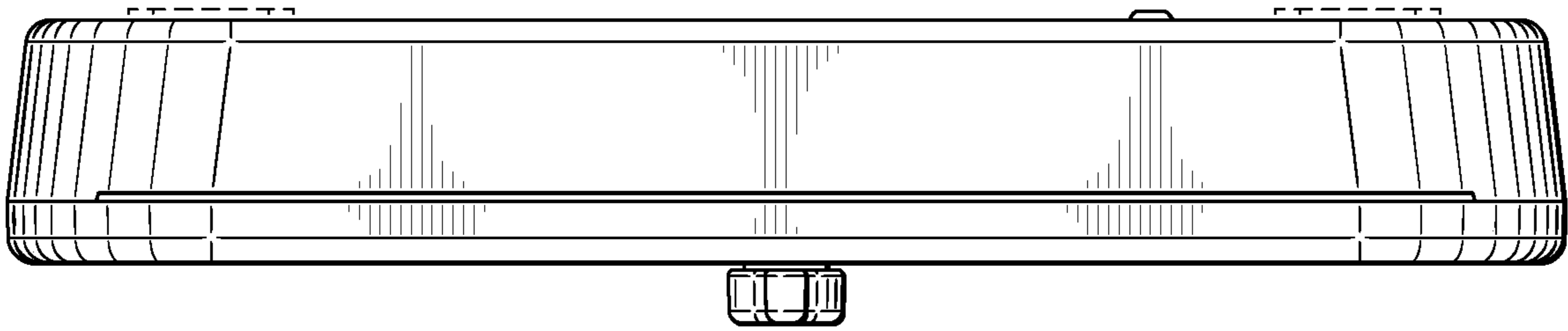


FIG. 13

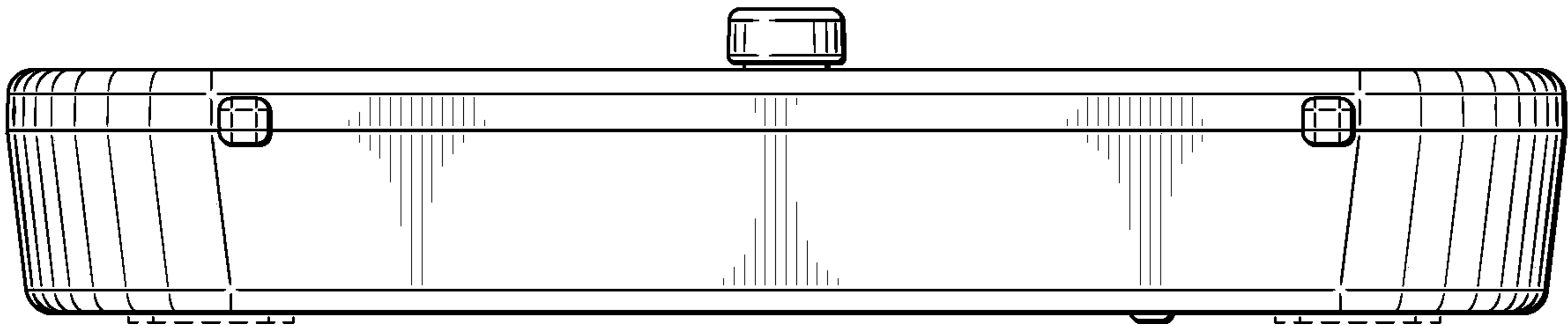


FIG. 14

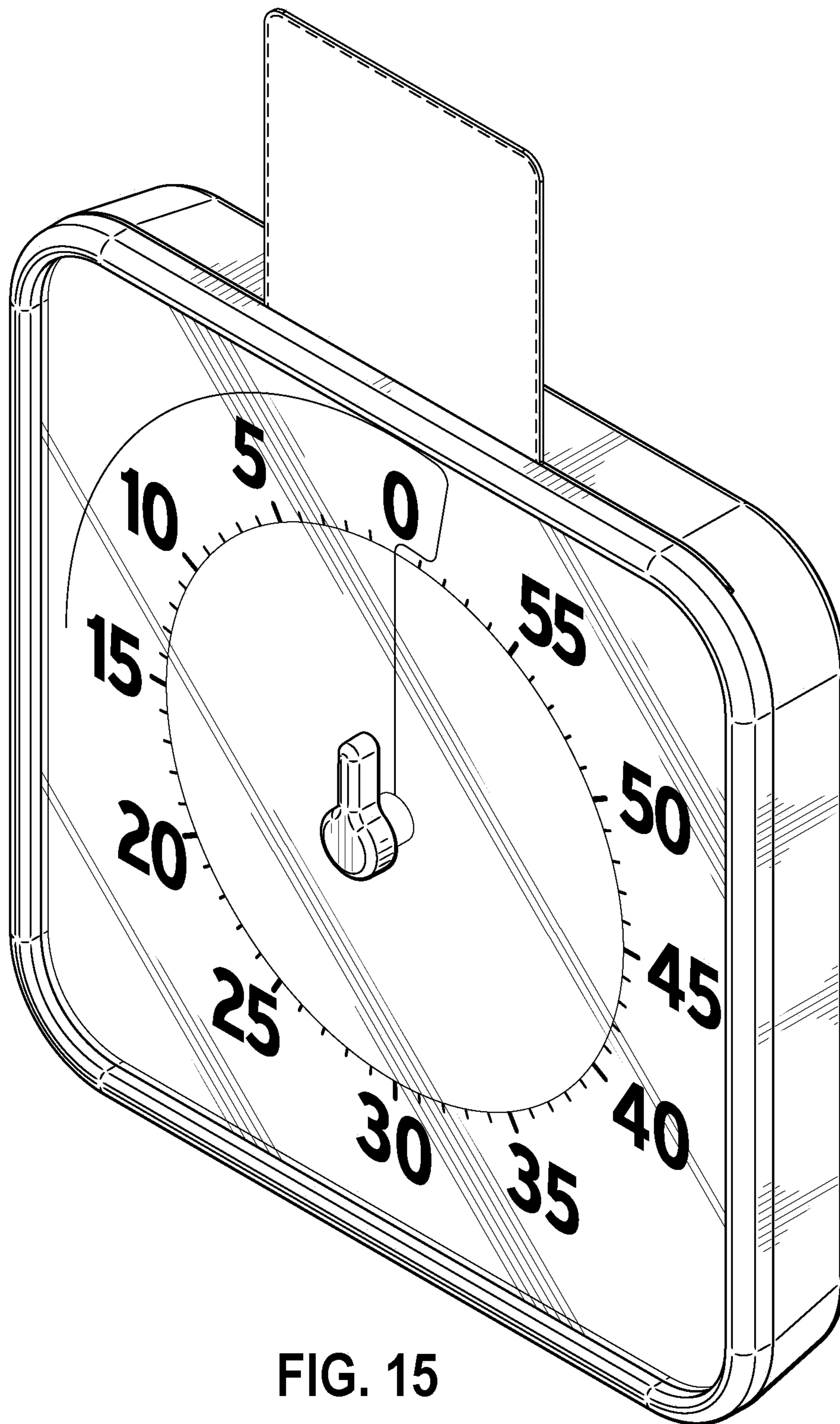


FIG. 15

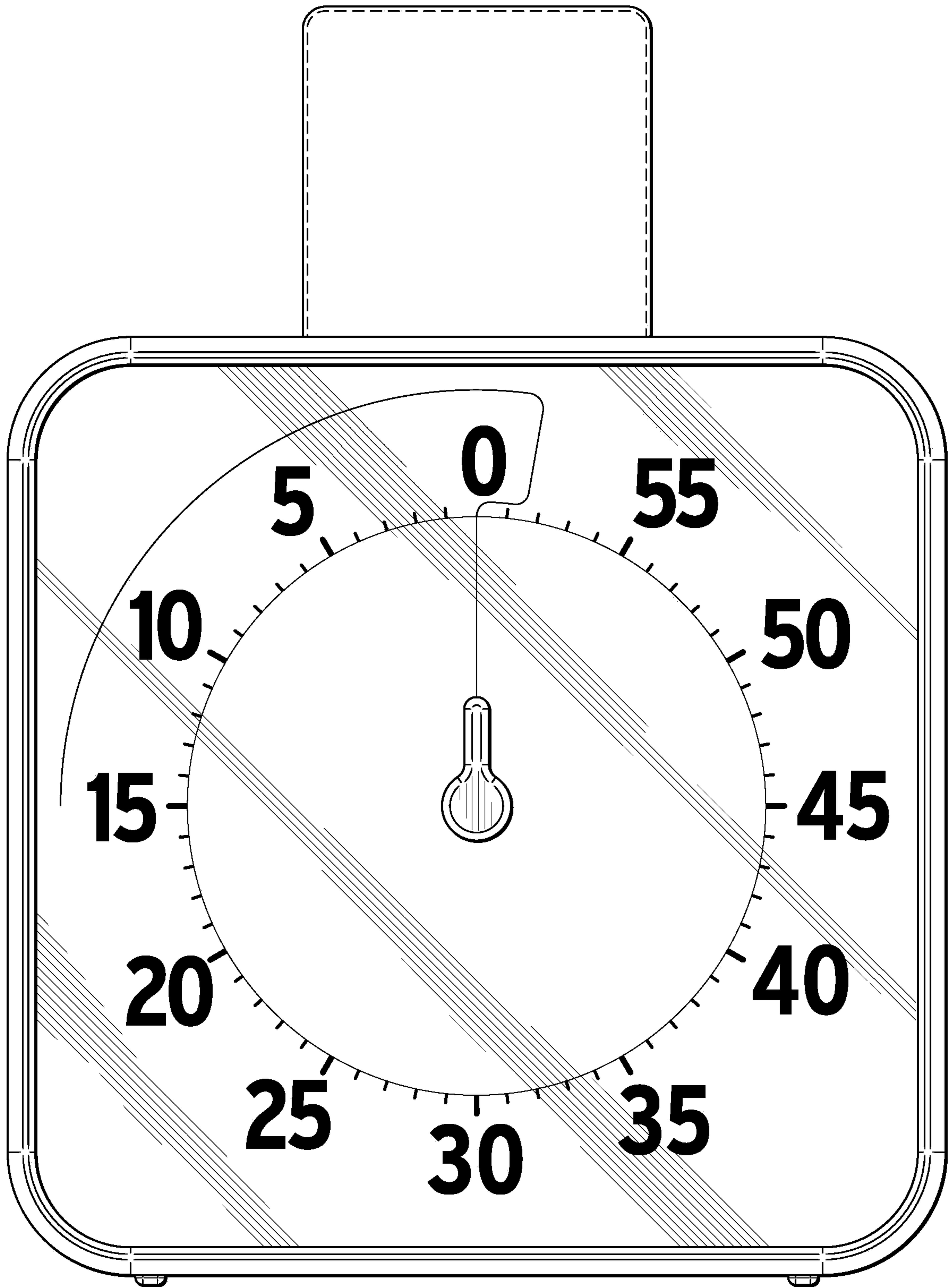


FIG. 16

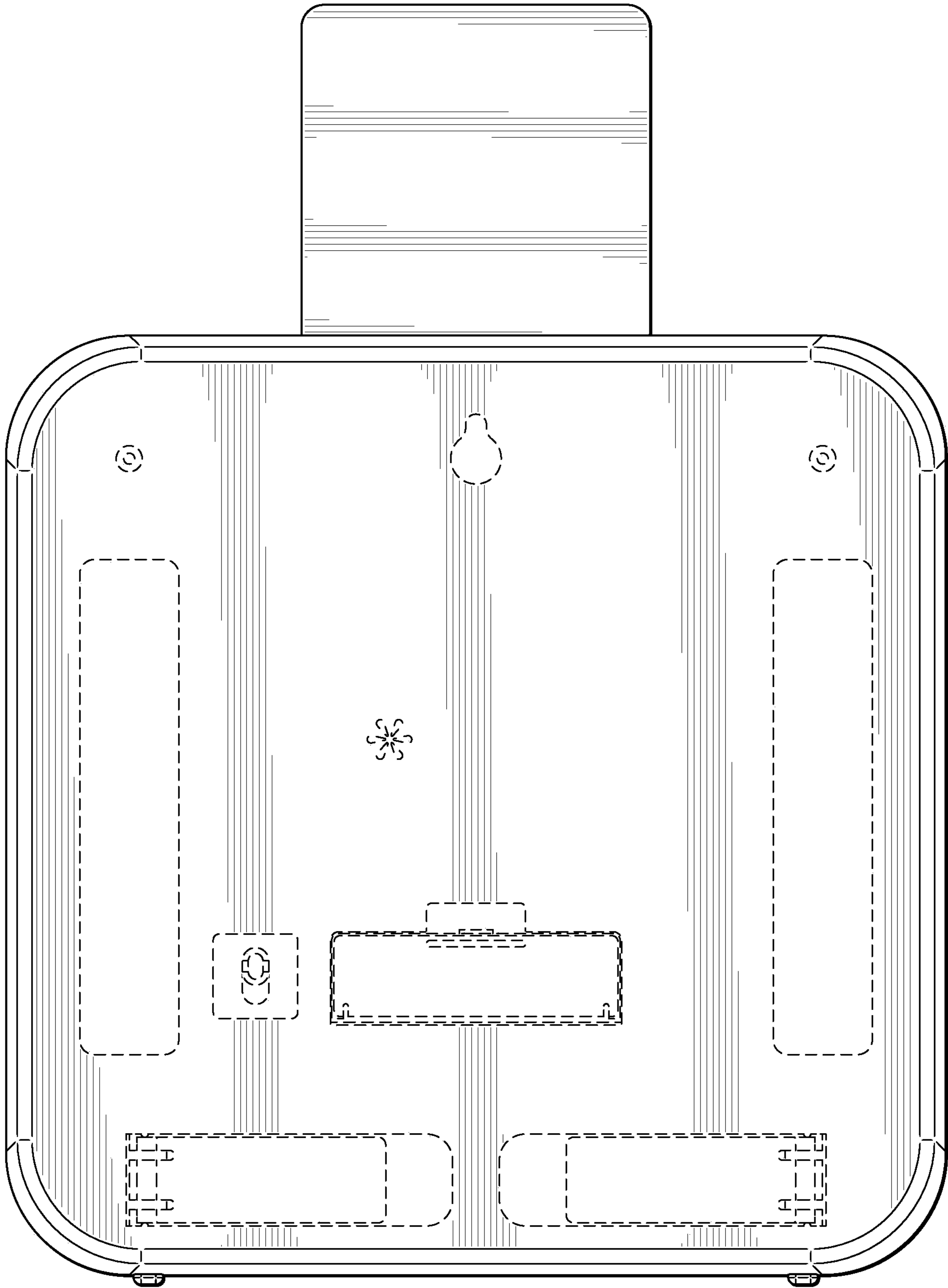


FIG. 17

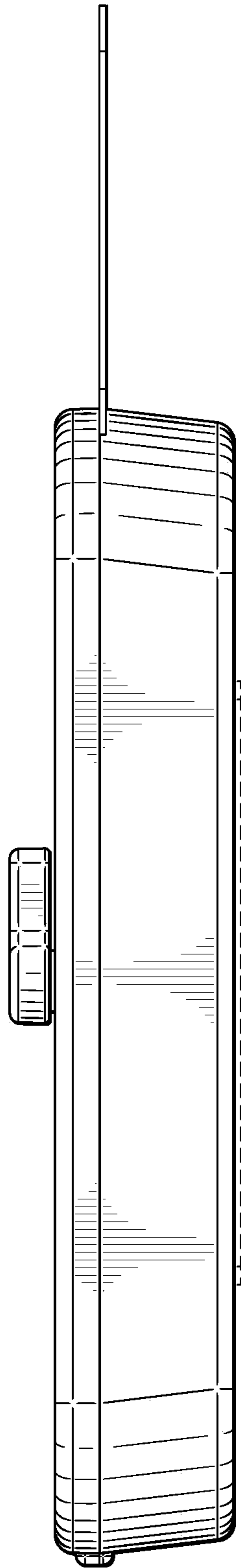


FIG. 18

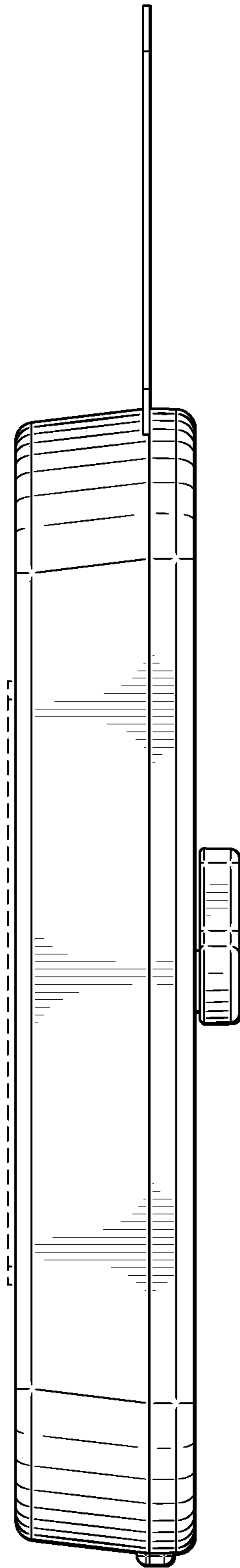


FIG. 19



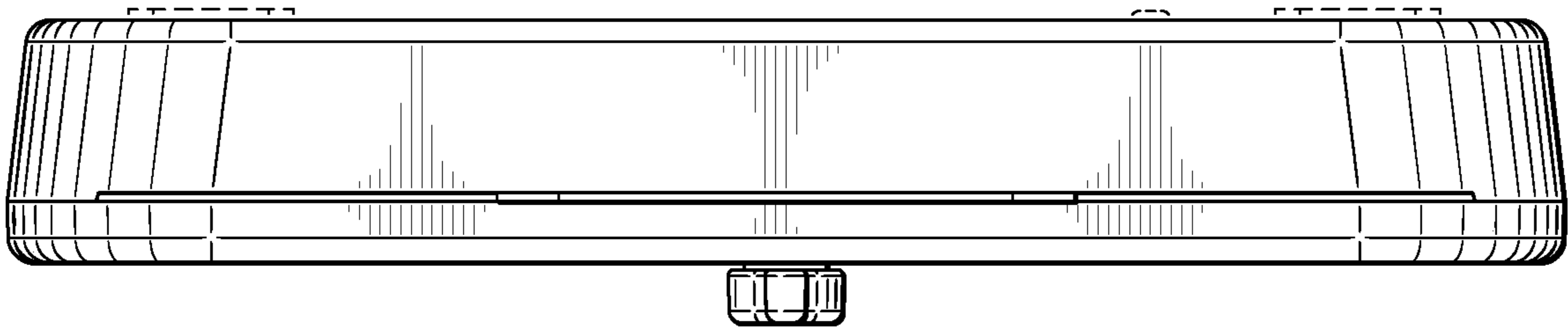


FIG. 20

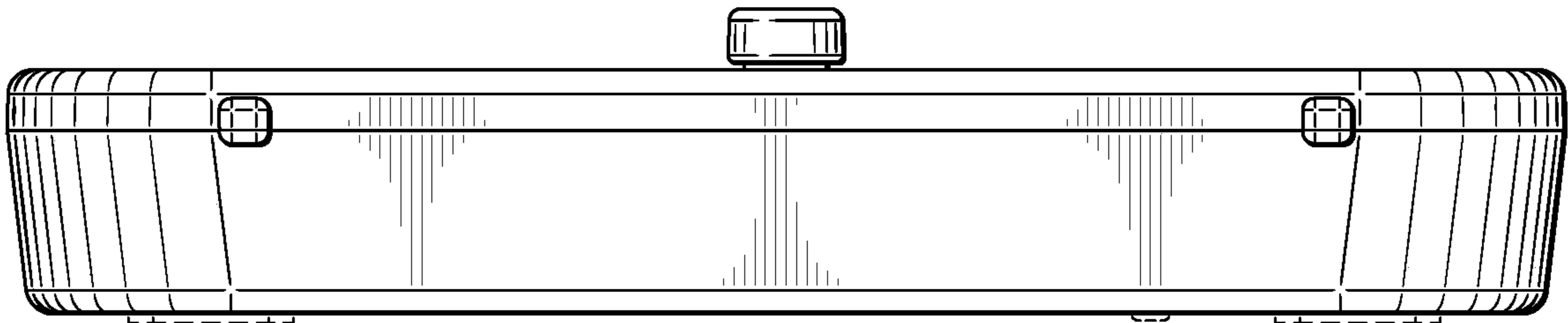


FIG. 21

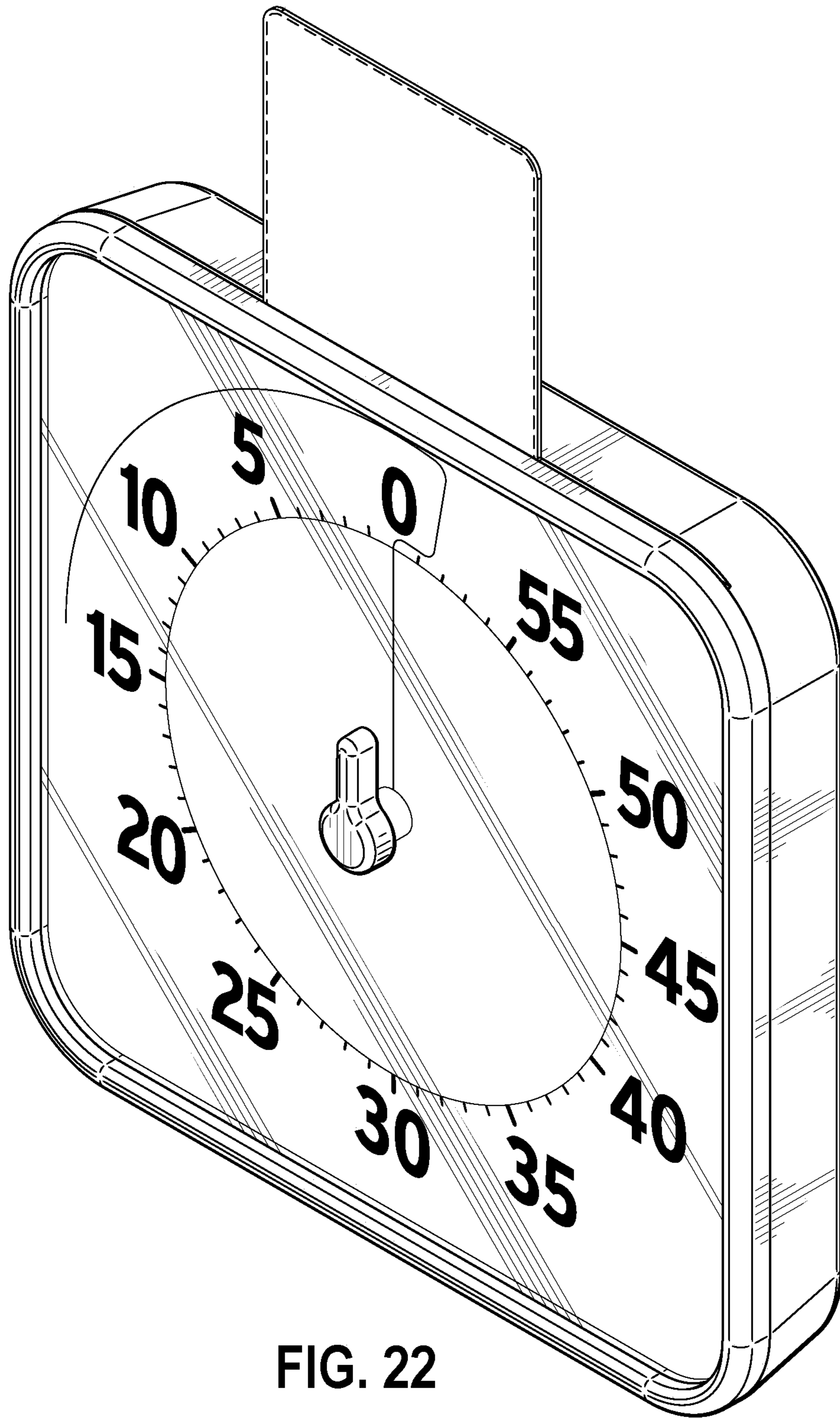


FIG. 22

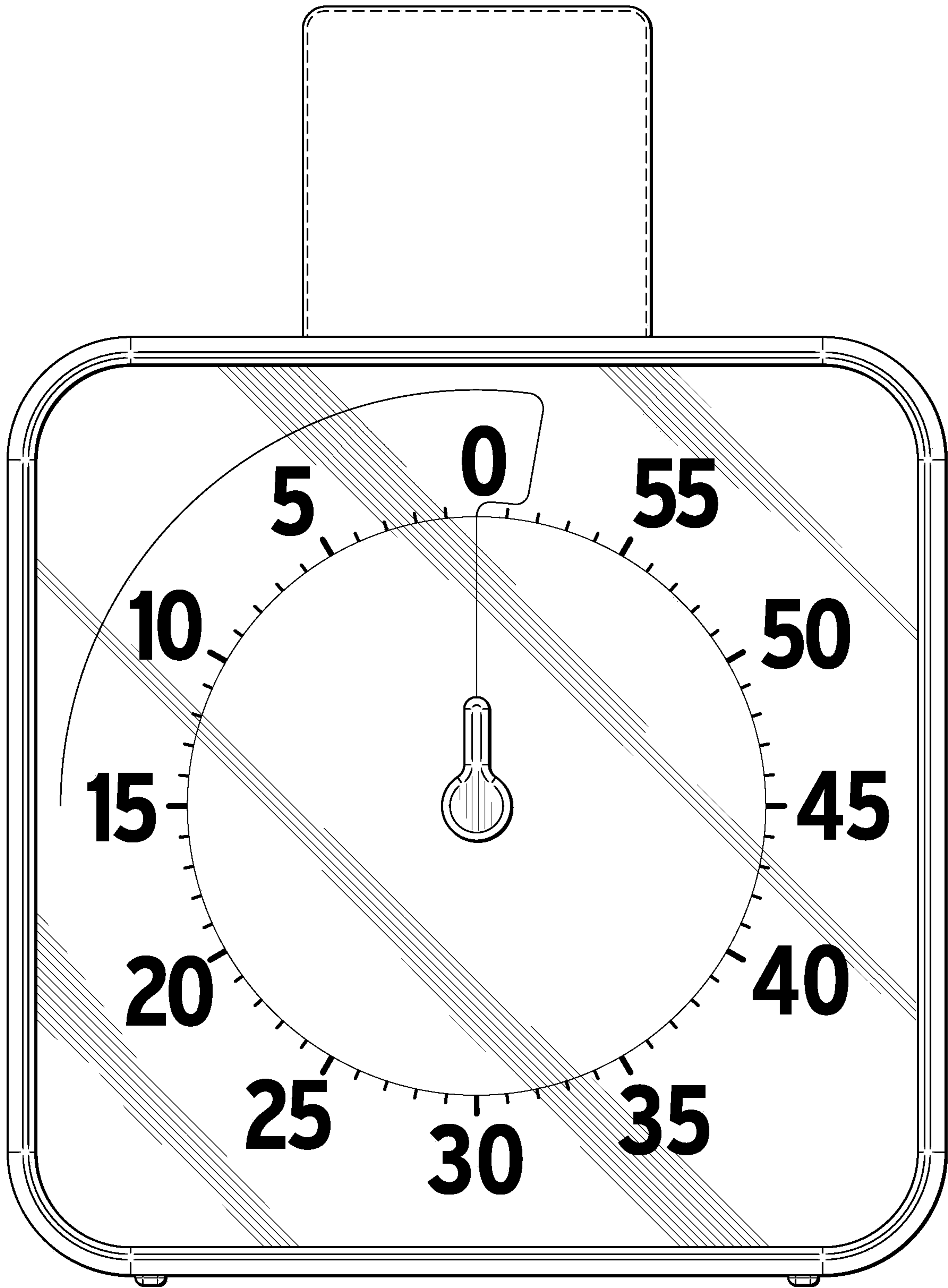


FIG. 23

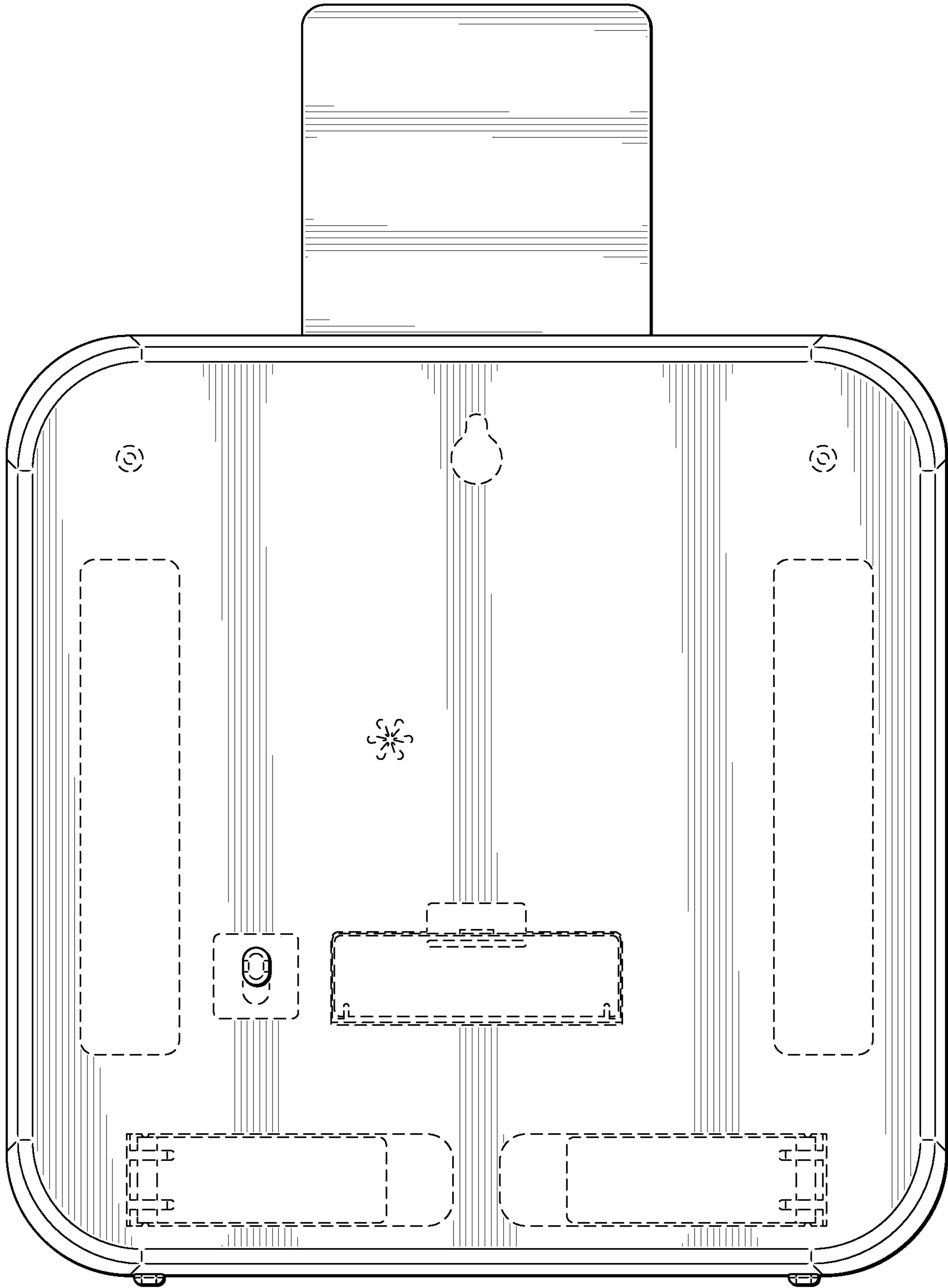


FIG. 24

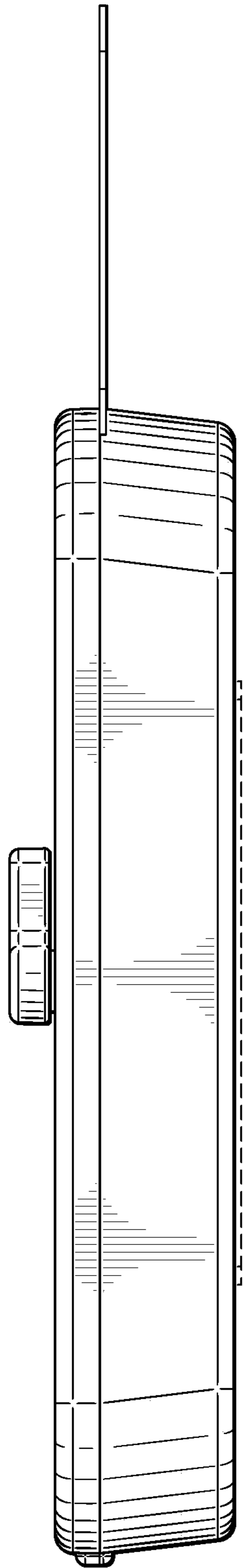


FIG. 25

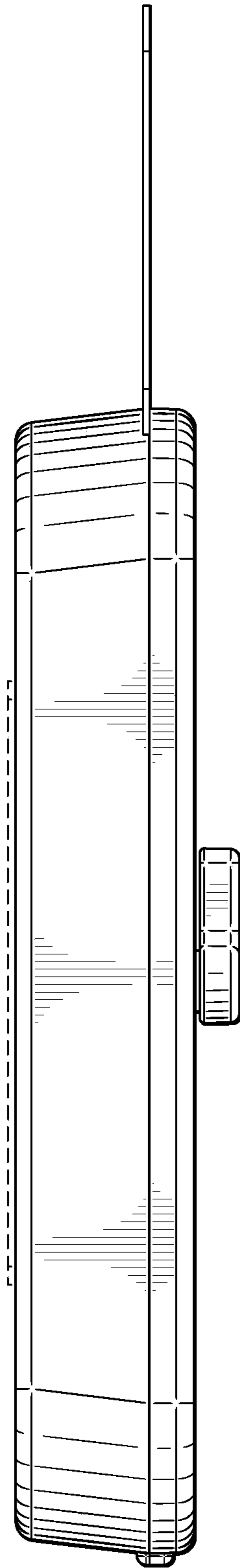


FIG. 26

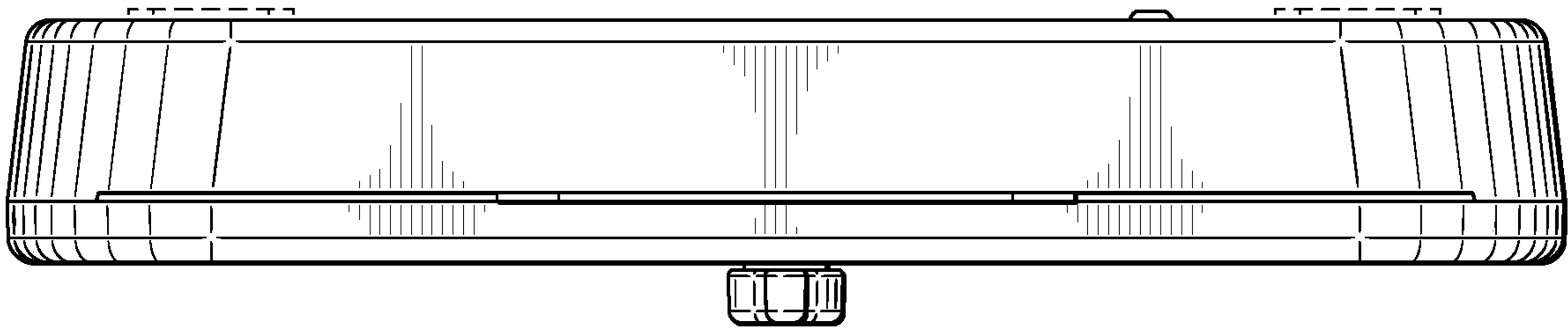


FIG. 27

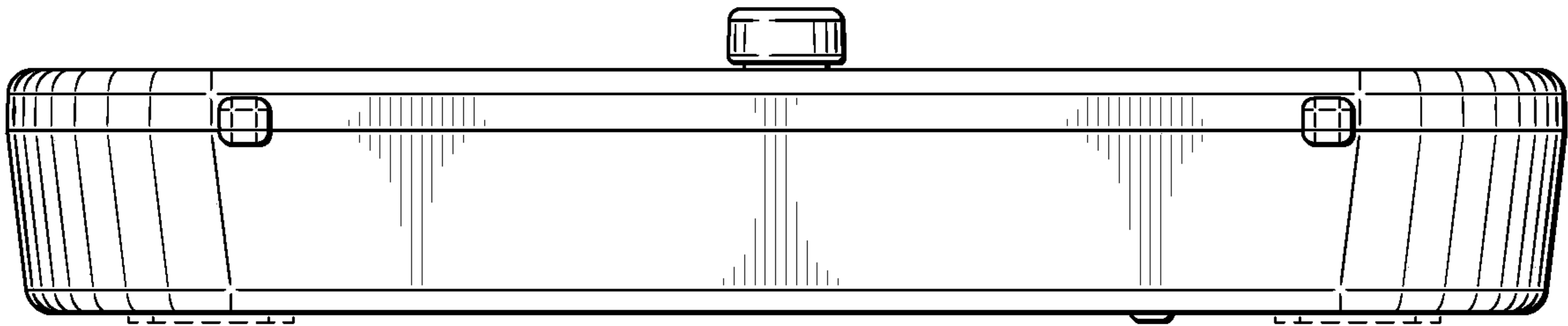


FIG. 28