



US00D956580S

(12) **United States Design Patent**
Shamsossadati

(10) **Patent No.:** **US D956,580 S**

(45) **Date of Patent:** **** Jul. 5, 2022**

(54) **WATCH CASE**

(71) Applicant: **Golden Concept AB**, Malmö (SE)

(72) Inventor: **Puia Shamsossadati**, Limhamn (SE)

(**) Term: **15 Years**

(21) Appl. No.: **35/511,812**

(22) Filed: **Apr. 24, 2021**

(80) **Hague Agreement Data**

Int. Filing Date: **Apr. 24, 2021**

Int. Reg. No.: **DM/213963**

Int. Reg. Date: **Apr. 24, 2021**

Int. Reg. Pub. Date: **May 7, 2021**

(51) **LOC (13) Cl.** **10-02**

(52) **U.S. Cl.**
USPC **D10/38**

(58) **Field of Classification Search**
USPC D10/30, 38, 39
See application file for complete search history.

(56) **References Cited**

U.S. PATENT DOCUMENTS

D456,274 S	*	4/2002	Mille	D10/30
D710,216 S	*	8/2014	Mille	D10/38
D737,693 S	*	9/2015	Mille	D10/39
D753,512 S	*	4/2016	Mille	D10/125

D755,646 S	*	5/2016	Mille	D10/125
D765,521 S	*	9/2016	Mille	D10/34
D789,806 S	*	6/2017	Mille	D10/30
D789,807 S	*	6/2017	Mille	D10/30
D790,991 S	*	7/2017	Mille	D10/30
D798,746 S	*	10/2017	Mille	D10/30
D799,342 S	*	10/2017	Mille	D10/30
D823,141 S	*	7/2018	Mille	D10/39
D834,954 S	*	12/2018	Chatila	D10/38
D869,293 S	*	12/2019	Gimenez	D10/30

* cited by examiner

Primary Examiner — George D. Kirschbaum

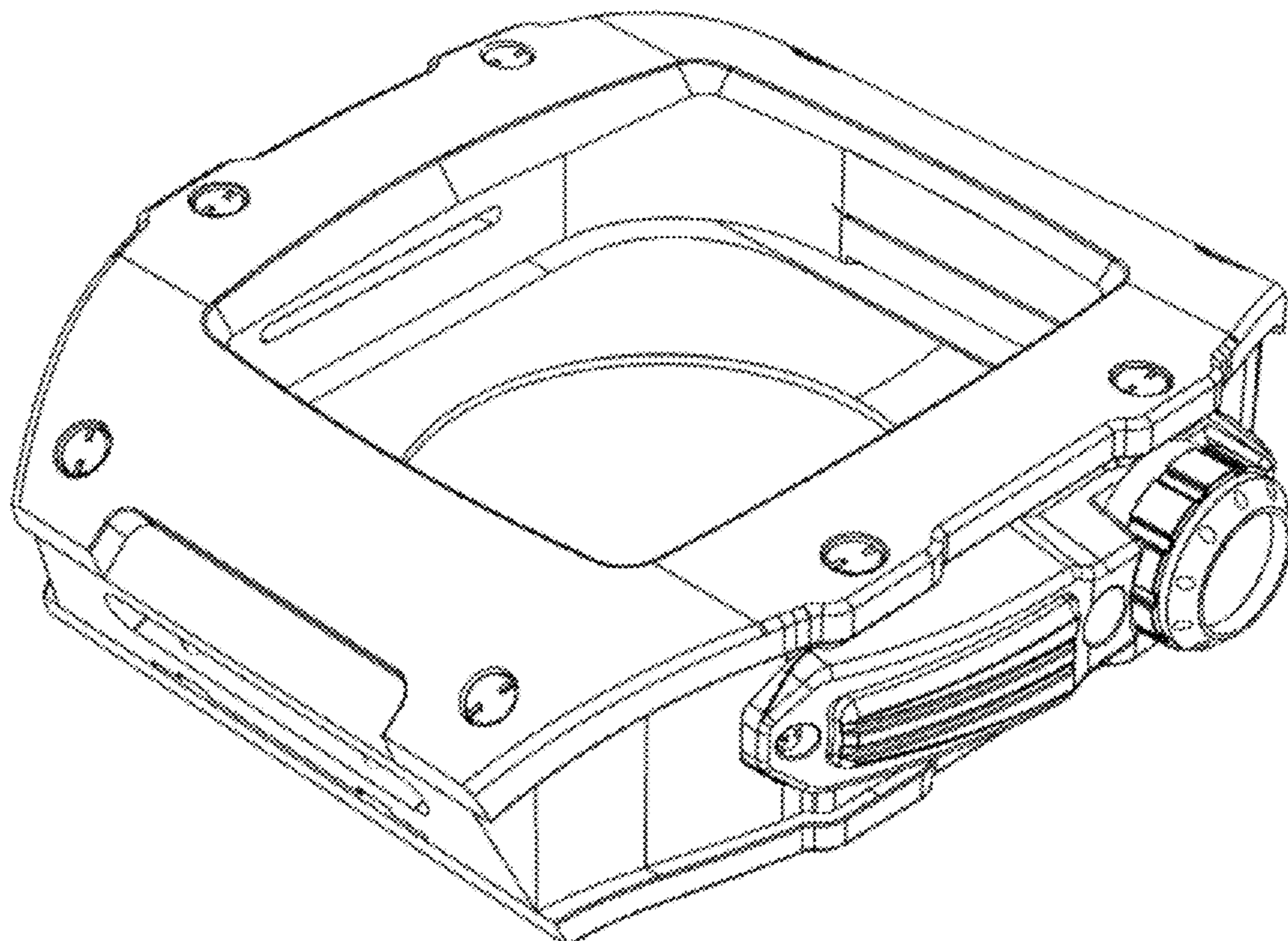
(57) **CLAIM**

The ornamental design for a watch case, as shown and described.

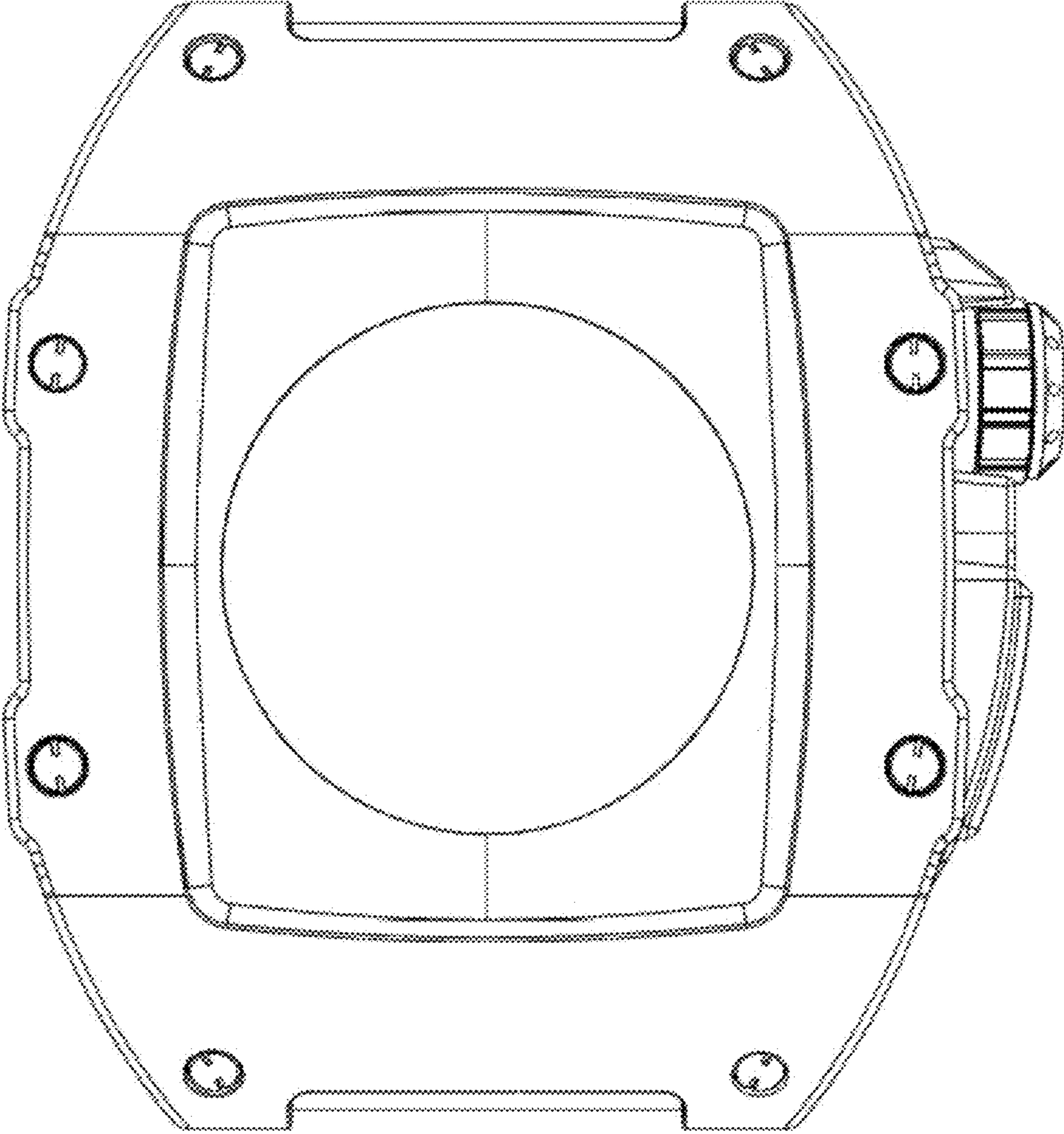
DESCRIPTION

- 1. Watch case
 - 1.1 : Front
 - 1.2 : Front Perspective View
 - 1.3 : Perspective
 - 1.4 : Back
 - 1.5 : Right
 - 1.6 : Left
 - 1.7 : Back Perspective View
 - 1.8 : Exploded
- Protective case for smart watches.

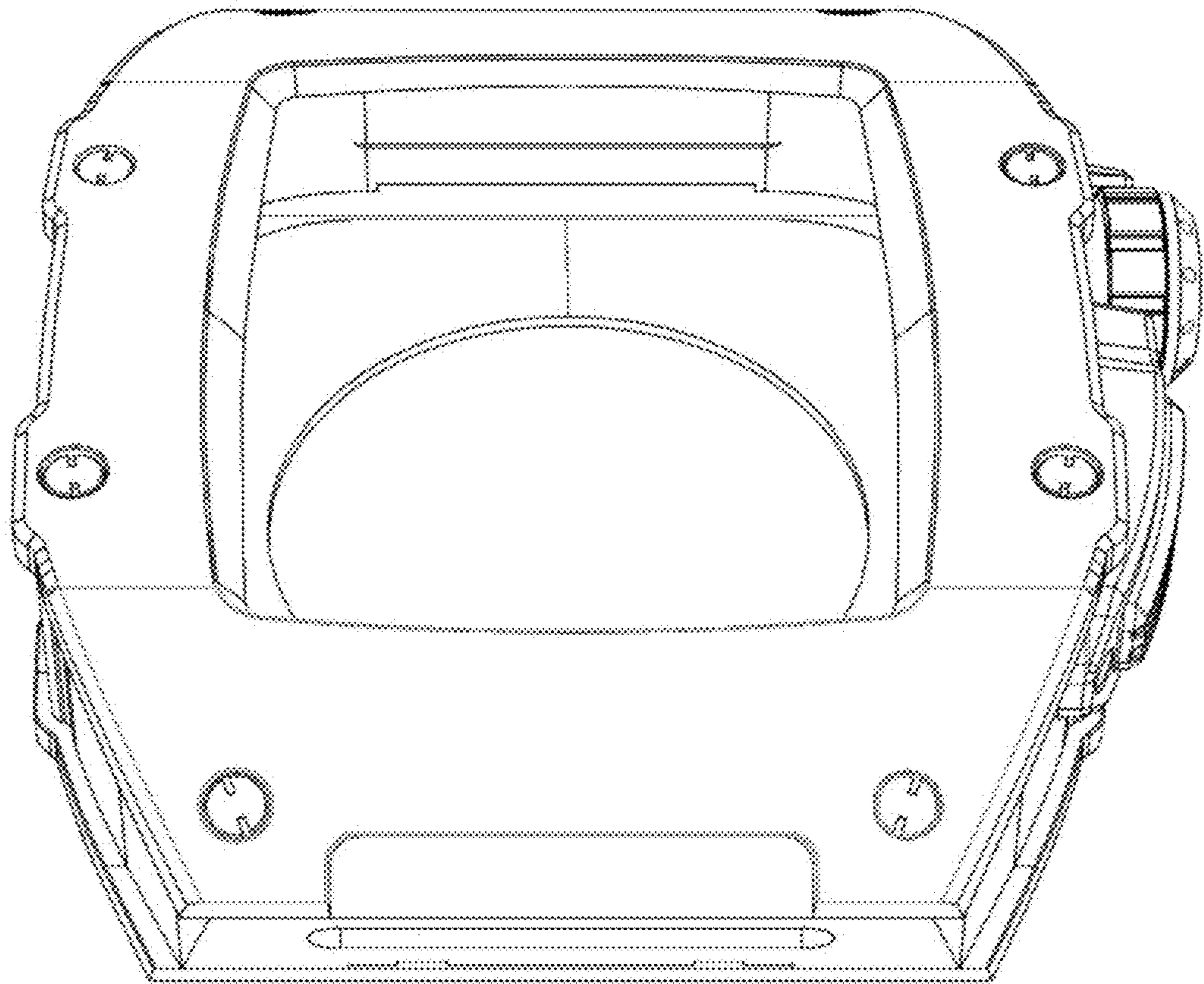
1 Claim, 8 Drawing Sheets



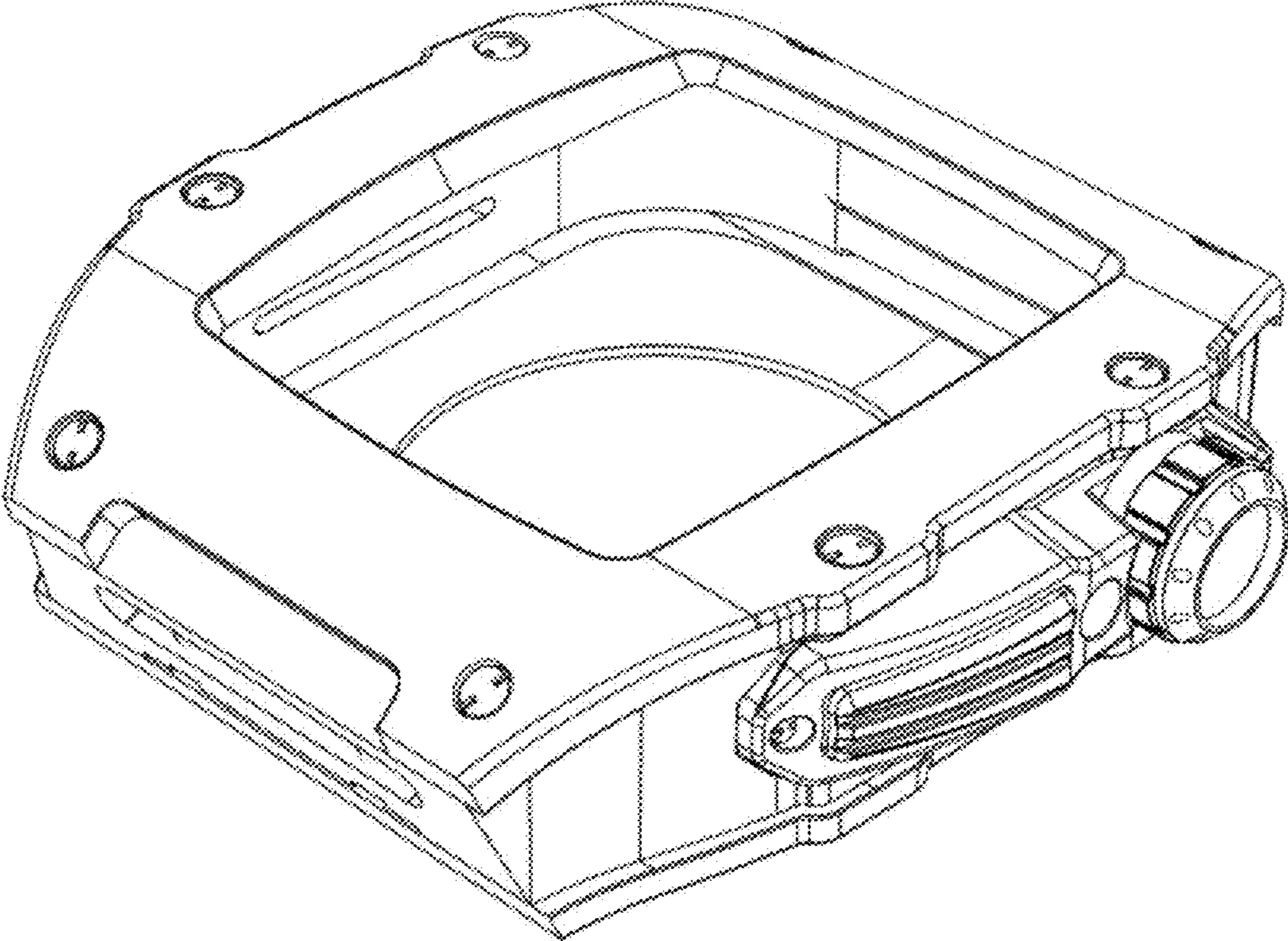
1.1



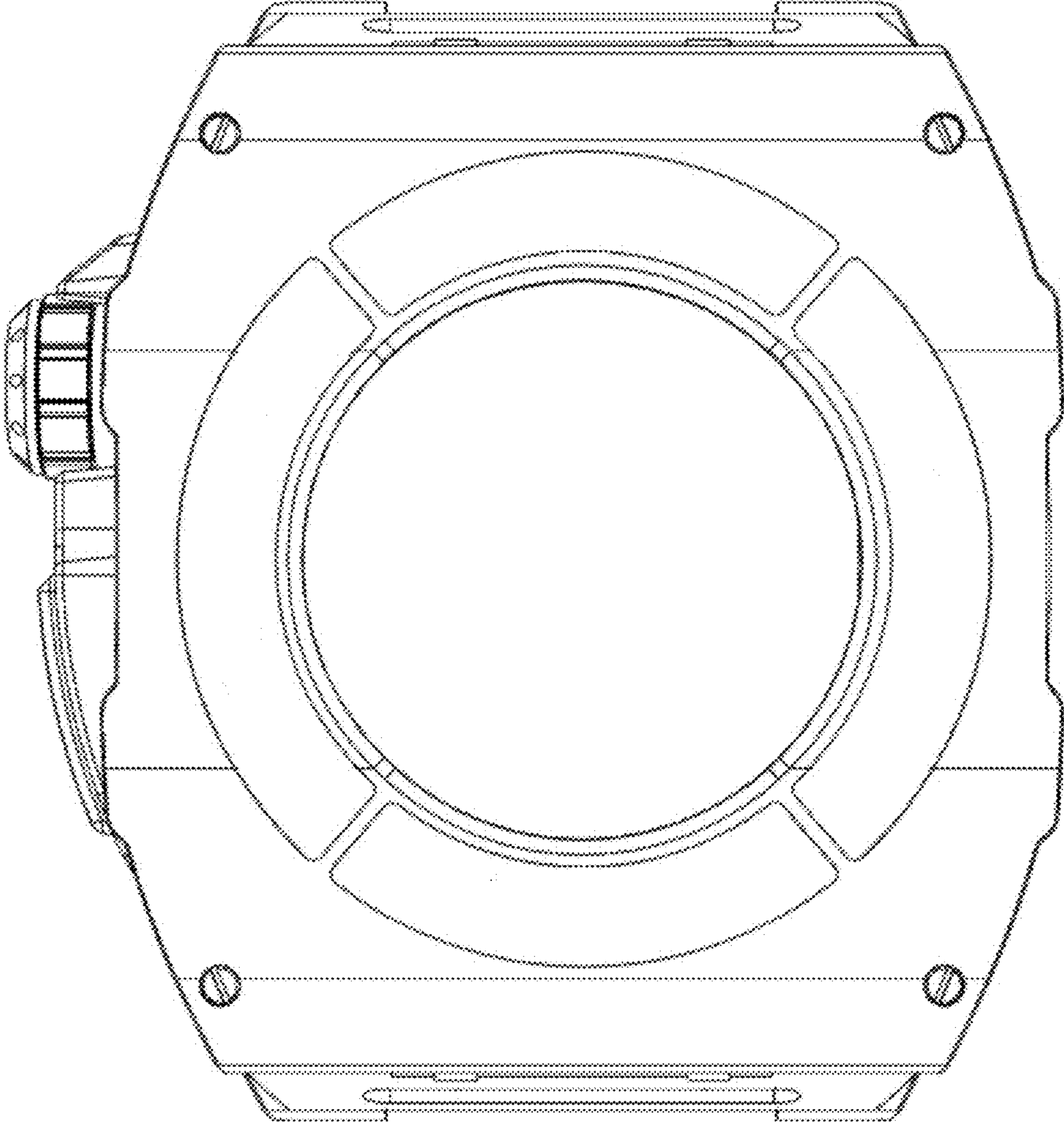
1.2



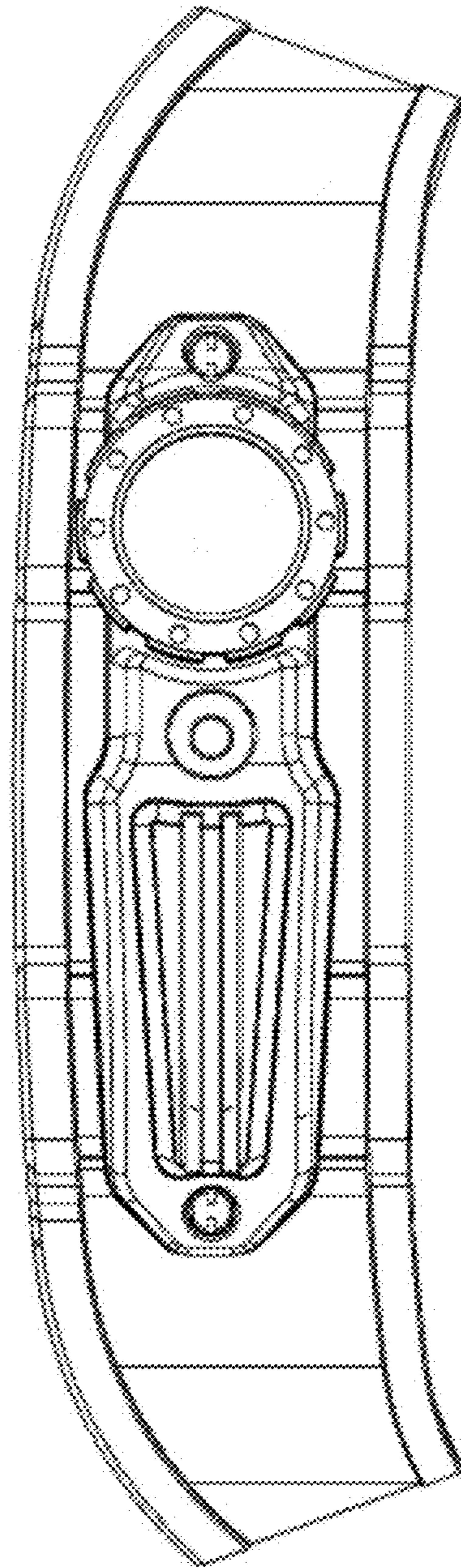
1.3



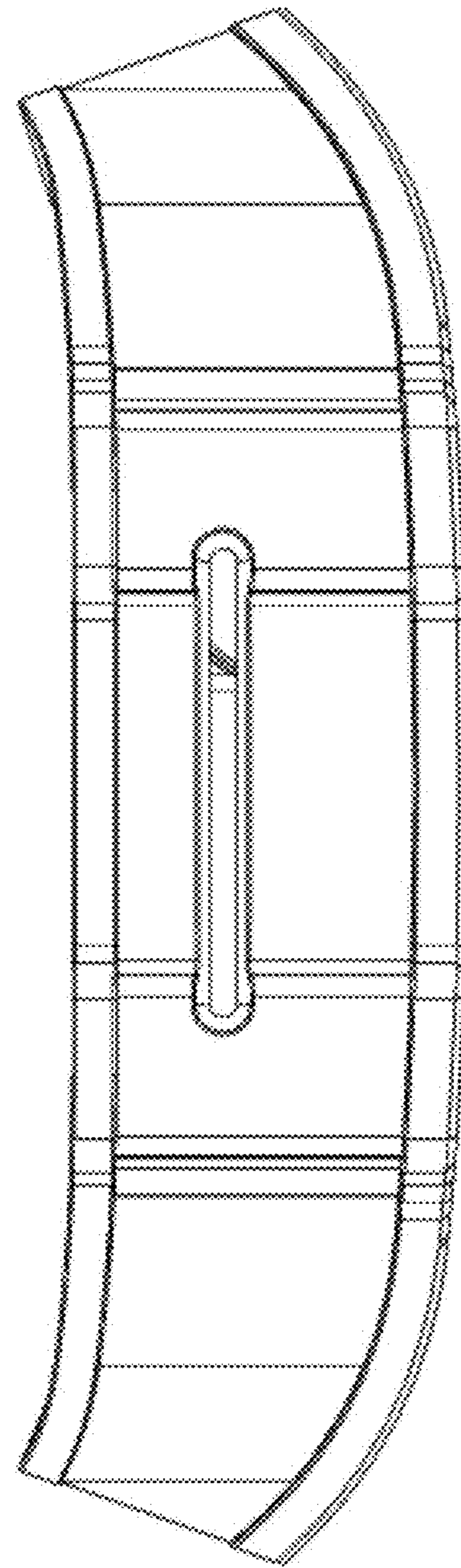
1.4



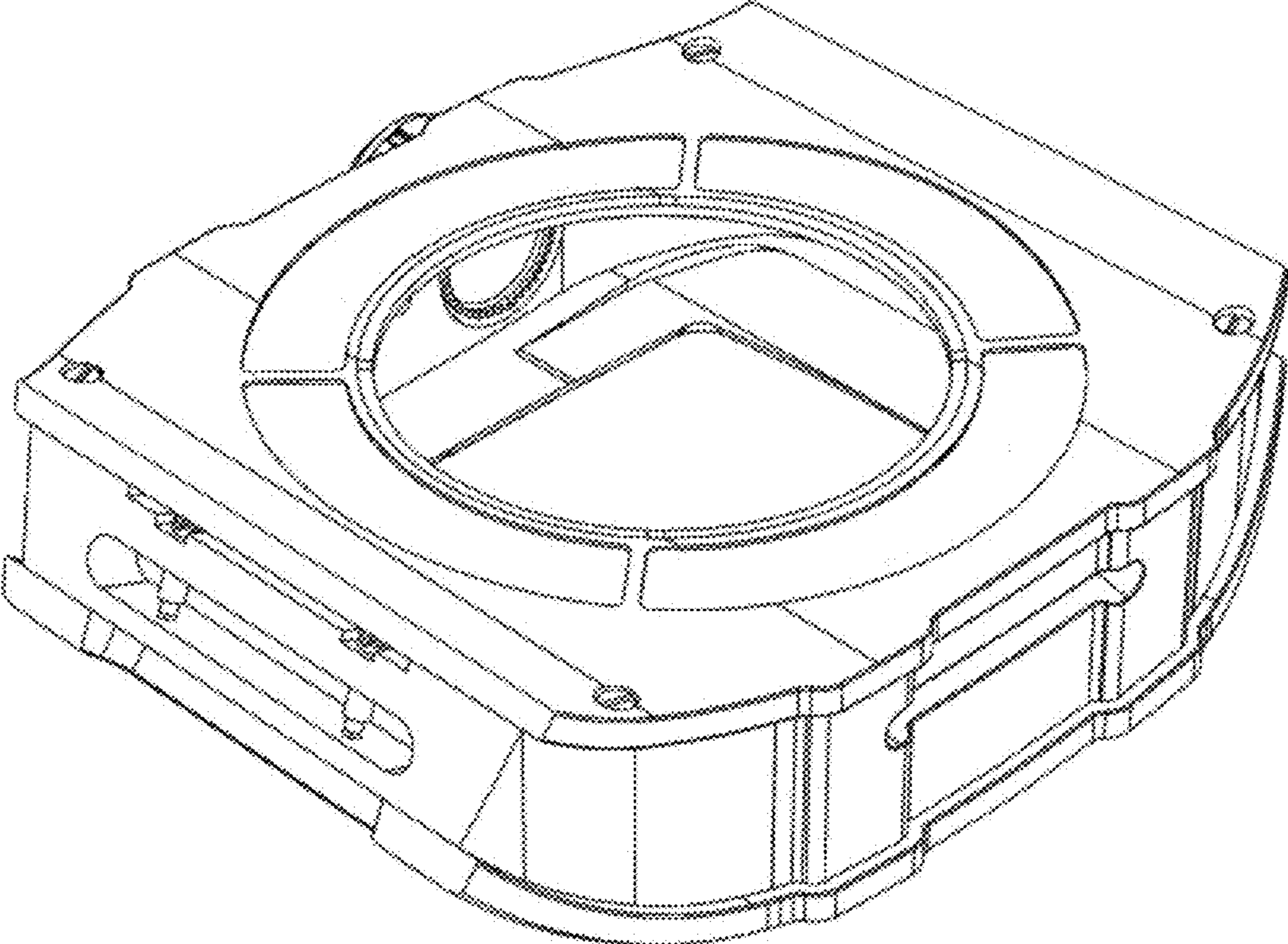
1.5



1.6



1.7



1.8

