



US00D956579S

(12) **United States Design Patent**
Shamsossadati

(10) **Patent No.:** **US D956,579 S**

(45) **Date of Patent:** **** Jul. 5, 2022**

(54) **WATCH CASE**
(71) Applicant: **Golden Concept AB**, Malmö (SE)
(72) Inventor: **Puia Shamsossadati**, Limhamn (SE)

(**) Term: **15 Years**

(21) Appl. No.: **35/511,654**

(22) Filed: **Mar. 21, 2021**

(80) **Hague Agreement Data**

Int. Filing Date: **Mar. 21, 2021**

Int. Reg. No.: **DM/213424**

Int. Reg. Date: **Mar. 21, 2021**

Int. Reg. Pub. Date: **Apr. 2, 2021**

(51) **LOC (13) Cl.** **10-02**

(52) **U.S. Cl.**
USPC **D10/38**

(58) **Field of Classification Search**
USPC D10/32, 30, 38, 128; D14/440
CPC G04B 47/046; G04B 37/005; G04B
37/1486; G04B 37/0008; G04B 39/02;
G04B 37/0058
See application file for complete search history.

(56) **References Cited**

U.S. PATENT DOCUMENTS

3,640,065 A * 2/1972 Lederrey G04B 39/02
368/292
4,620,798 A * 11/1986 Scarinzi G04B 37/22
968/301

D453,298 S * 2/2002 Yoshikawa D10/30
D474,696 S * 5/2003 Takahashi D10/30
D528,440 S * 9/2006 Lovegrove D10/38
D531,524 S * 11/2006 Behling D10/38
7,708,457 B2 * 5/2010 Girardin G04B 37/0058
368/295
D742,254 S * 11/2015 Greusel D10/38
D766,906 S * 9/2016 Kim D14/440
D767,573 S * 9/2016 Kim D14/440
D795,089 S * 8/2017 Wright D10/32
D853,878 S * 7/2019 Wright D10/128
D897,867 S * 10/2020 Wright D10/32
D912,676 S * 3/2021 Wright D14/440
D939,360 S * 12/2021 Qu D10/32
2017/0035156 A1 * 2/2017 Wright A45C 13/008
2022/0057753 A1 * 2/2022 Bonadei G04B 47/046

* cited by examiner

Primary Examiner — George D. Kirschbaum

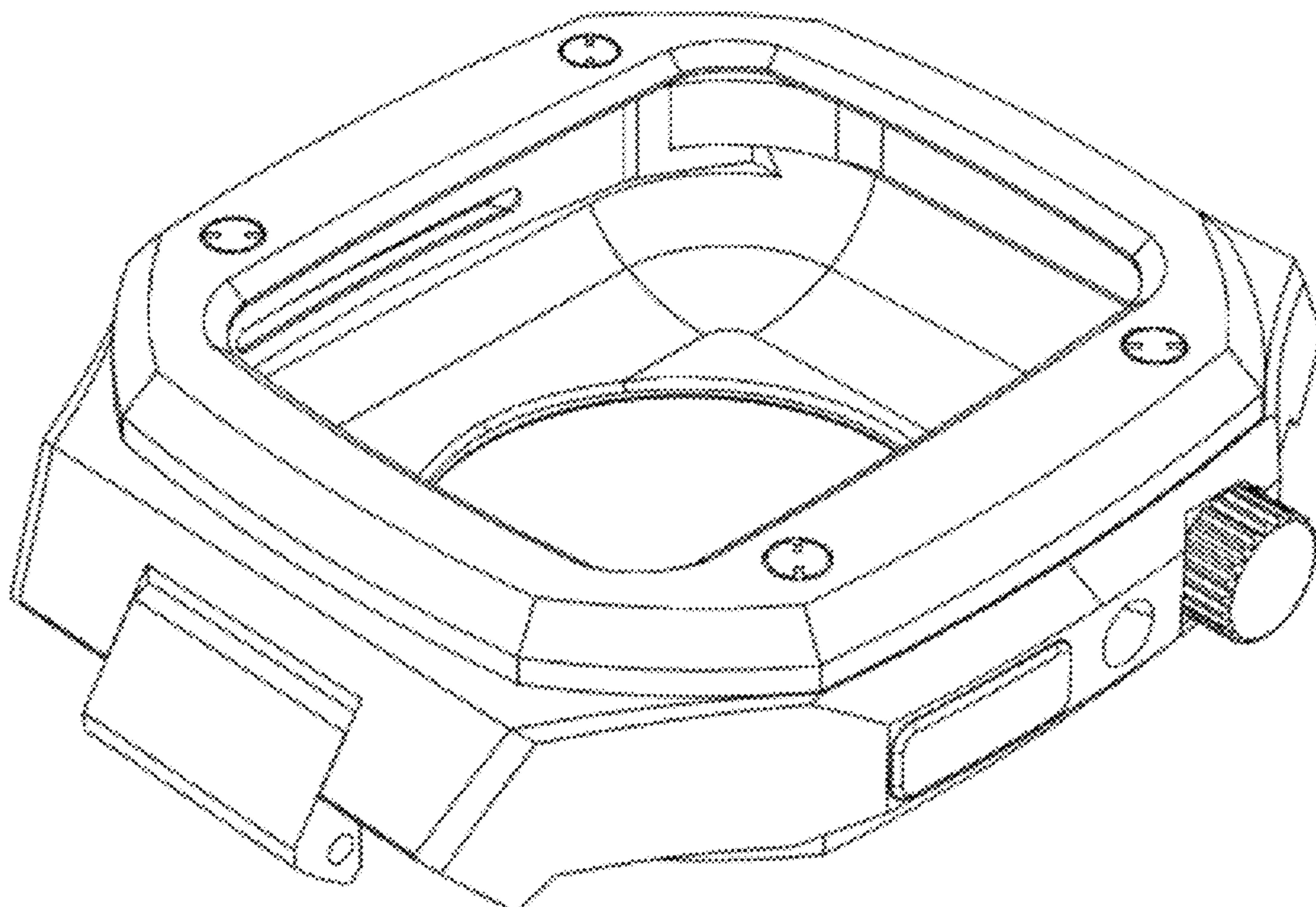
(57) **CLAIM**

The ornamental design for a watch case, as shown and described.

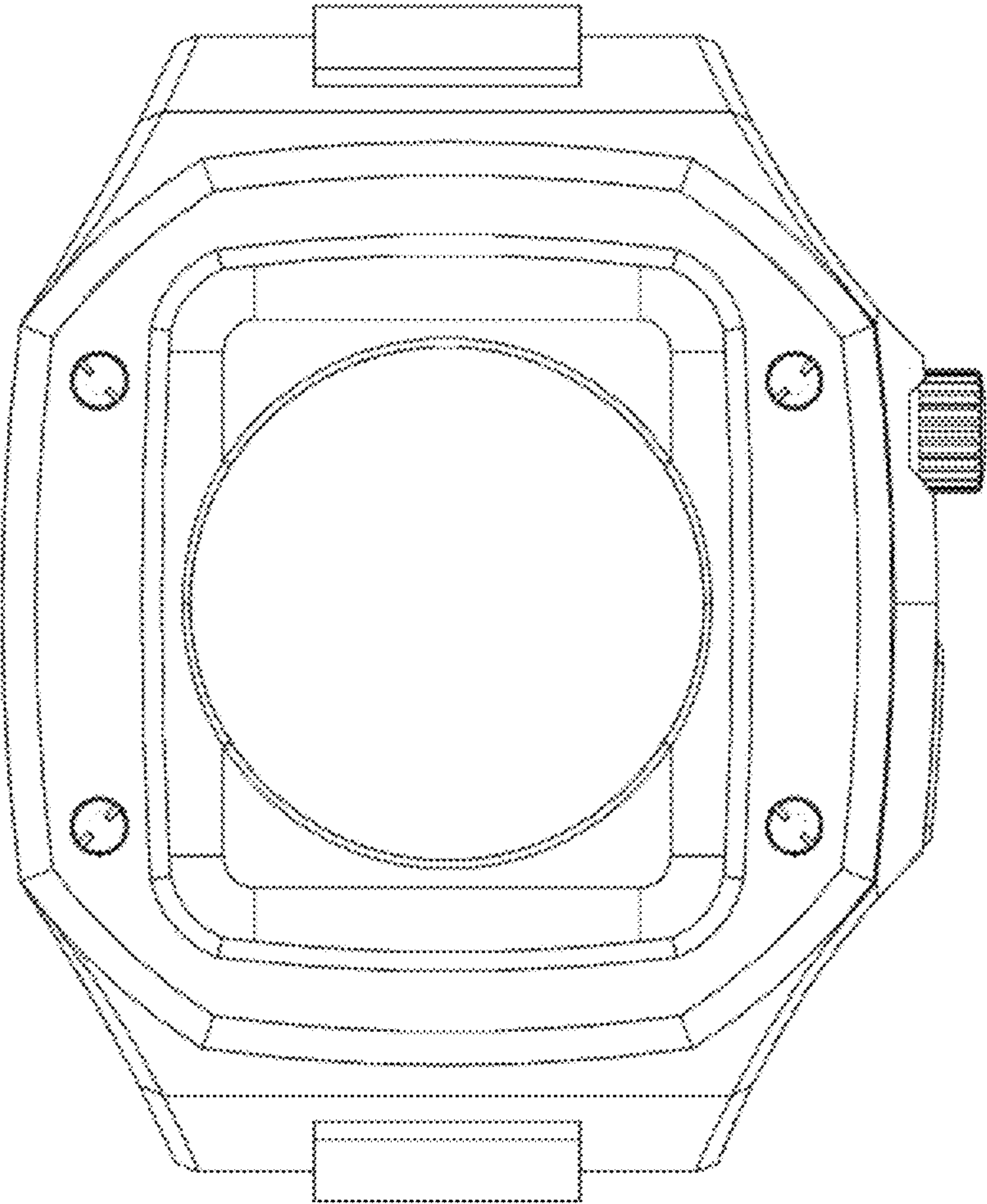
DESCRIPTION

1. Watch case
1.1 : Front
1.2 : Perspective
1.3 : Back
1.4 : Right
1.5 : Left
1.6 : Perspective Back View
1.7 : Exploded
Case made in stainless steel for protecting smartwatches.

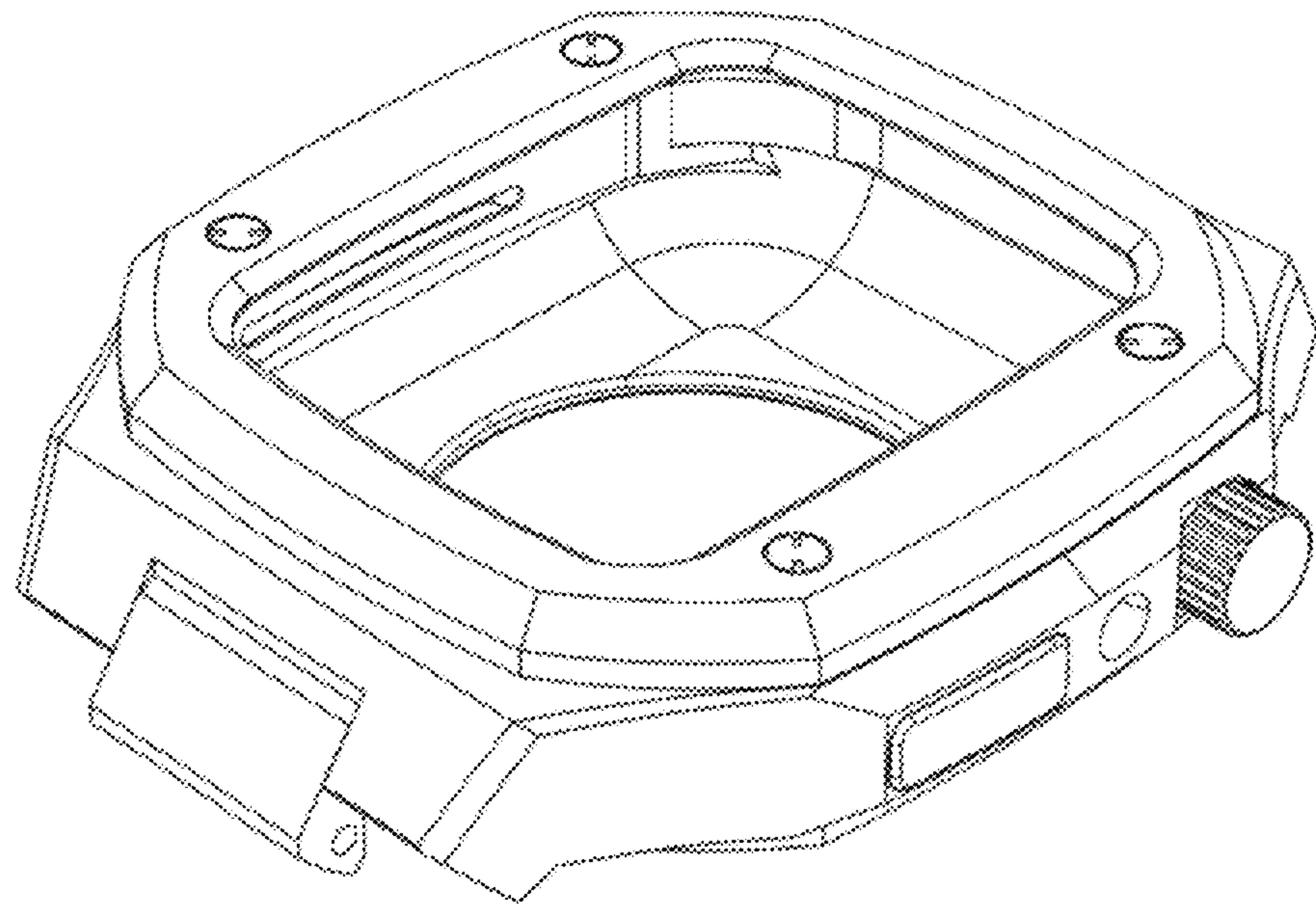
1 Claim, 7 Drawing Sheets



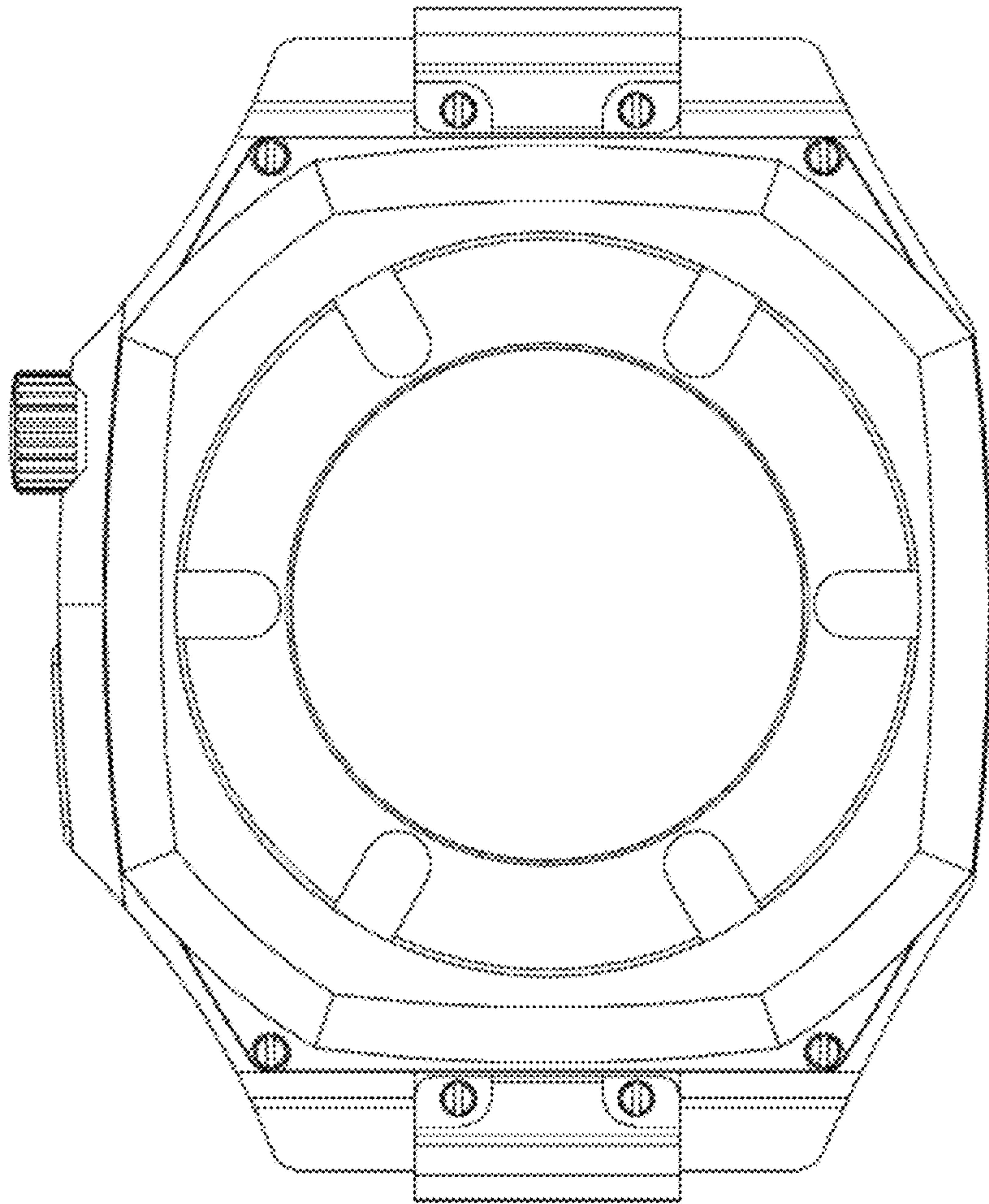
1.1



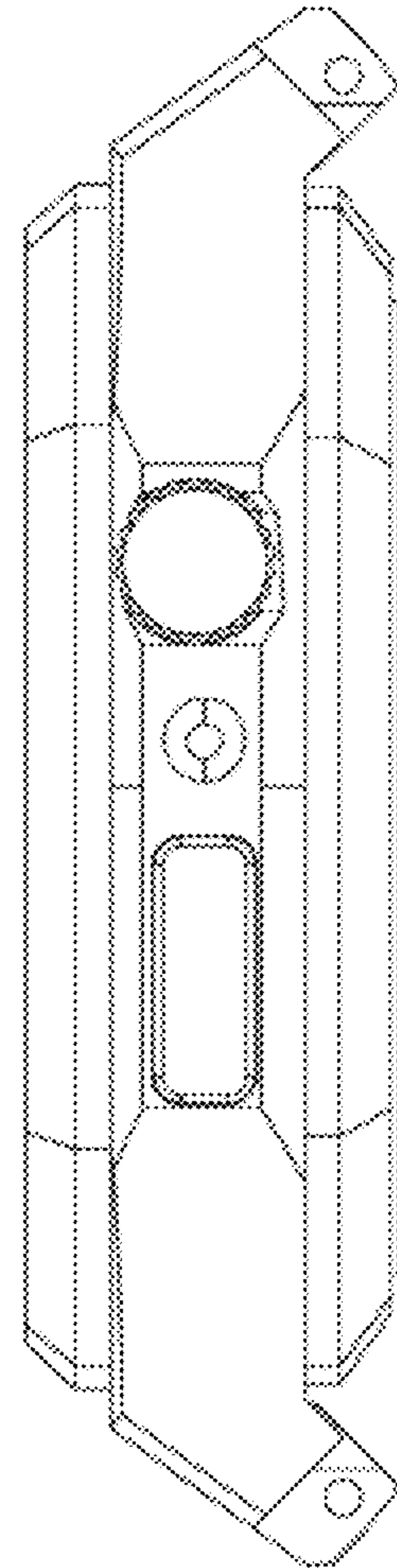
1.2



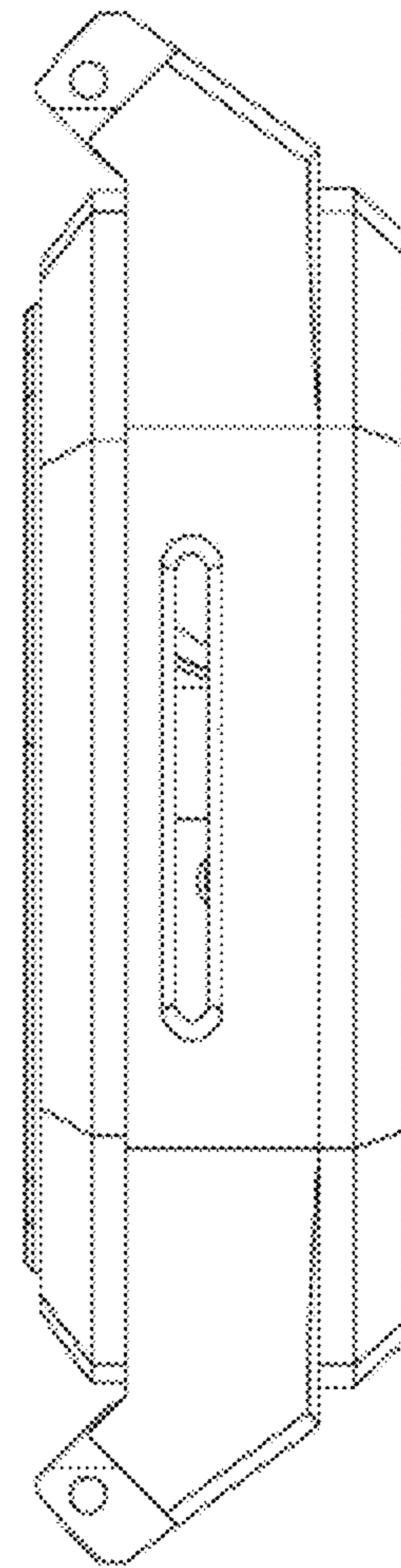
1.3



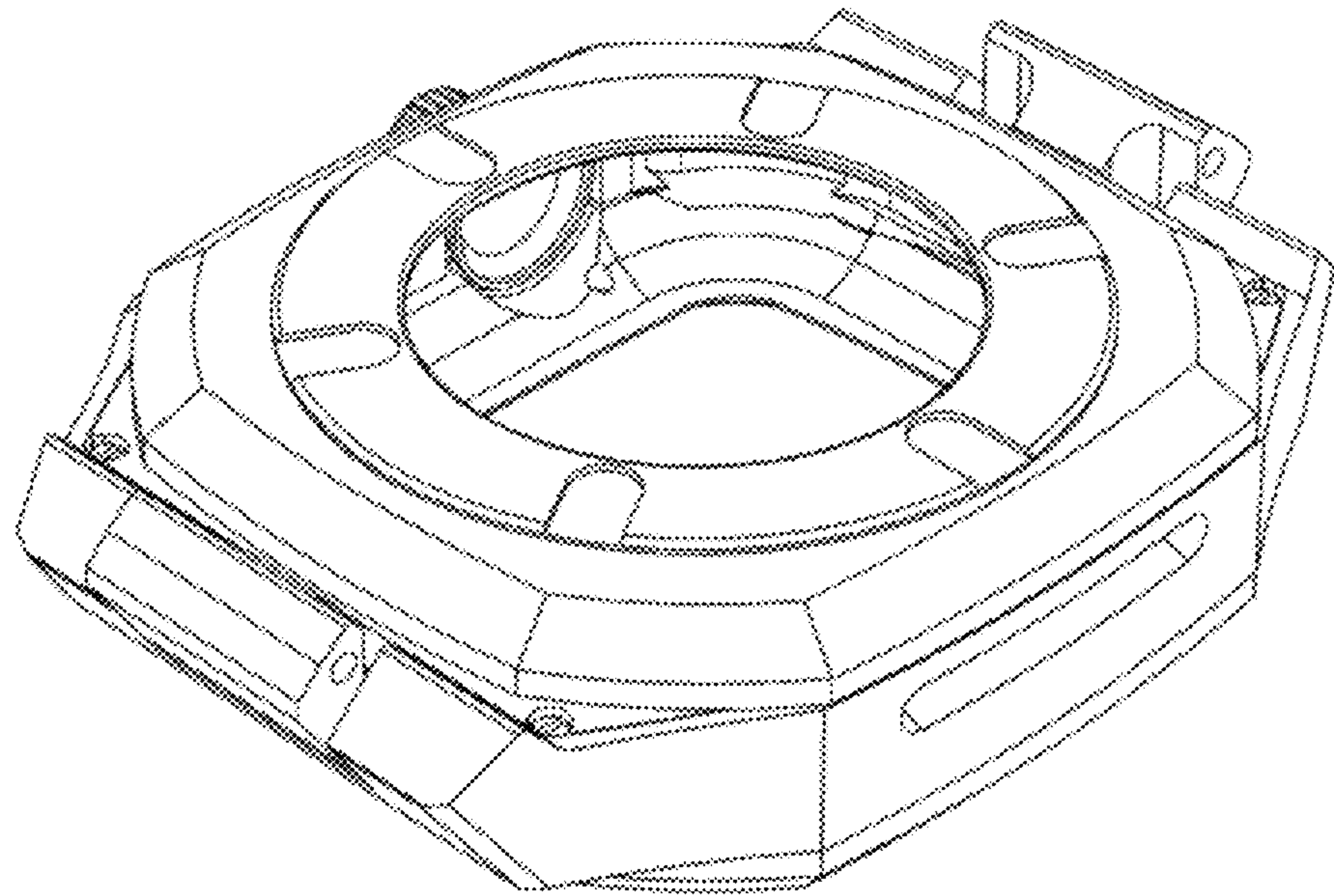
1.4



1.5



1.6



1.7

