



US00D956578S

(12) **United States Design Patent** (10) **Patent No.:** **US D956,578 S**  
**Gogola et al.** (45) **Date of Patent:** **\*\* Jul. 5, 2022**

(54) **BEVERAGE CONTAINER**

- (71) Applicant: **Ardagh Metal Beverage USA Inc.**,  
Chicago, IL (US)
- (72) Inventors: **Michael Gogola**, Itasca, IL (US);  
**Ronald Parrella**, Arlington Heights, IL (US)
- (73) Assignee: **ARDAGH METAL BEVERAGE USA INC.**, Chicago, IL (US)
- (\*) Notice: This patent is subject to a terminal disclaimer.
- (\*\*) Term: **15 Years**
- (21) Appl. No.: **29/712,884**
- (22) Filed: **Nov. 12, 2019**
- (51) **LOC (13) Cl.** ..... **09-01**
- (52) **U.S. Cl.**  
USPC ..... **D9/772**
- (58) **Field of Classification Search**  
USPC ..... D9/500, 516, 537, 539, 549, 763-783  
CPC ..... B21D 51/26; B21D 51/383; B29C 66/71;  
B65D 1/00; B65D 1/02; B65D 1/12;  
B65D 1/14; B65D 1/40; B65D 1/44;  
B65D 1/023; B65D 1/0223; B65D 1/165;  
B65D 1/238; B65D 1/246; B65D 1/253;  
B65D 7/04; B65D 21/0209; B65D  
21/0233; B65D 25/00; B65D 25/28;  
B65D 41/0457; B65D 41/17; B65D  
53/06; B65D 75/56; B65D 79/005; B65D  
2501/0036; B65D 2543/00064; B65D  
2543/00074; B65D 2543/00083; B65D  
2543/00092; B65D 2543/00101; B65D  
2543/00111; Y10T 29/49826

See application file for complete search history.

(56) **References Cited**

U.S. PATENT DOCUMENTS

D343,579	S	*	1/1994	Halasz	.....	D9/774
D570,228	S	*	6/2008	van Dam	.....	D9/772
D587,137	S	*	2/2009	Hayden	.....	D9/772
D593,876	S	*	6/2009	Hayden	.....	D9/772
D596,048	S	*	7/2009	Hayden	.....	D9/772
D603,722	S	*	11/2009	Reimer	.....	D9/766
D604,181	S	*	11/2009	Reimer	.....	D9/766
D607,754	S	*	1/2010	Hayden	.....	D9/772
D621,723	S	*	8/2010	Gogola	.....	D9/767
D625,616	S	*	10/2010	Gogola	.....	D9/767
D632,588	S	*	2/2011	George	.....	D9/772
D632,589	S	*	2/2011	George	.....	D9/772
D641,644	S	*	7/2011	George	.....	D9/772
D732,402	S	*	6/2015	Jones	.....	D9/772
D780,601	S	*	3/2017	Arranz	.....	D9/772
2008/0295558	A1	*	12/2008	Reimer	.....	B21D 51/26 72/94

\* cited by examiner

*Primary Examiner* — Keli L Hill

(74) *Attorney, Agent, or Firm* — Hanley, Flight & Zimmerman, LLC

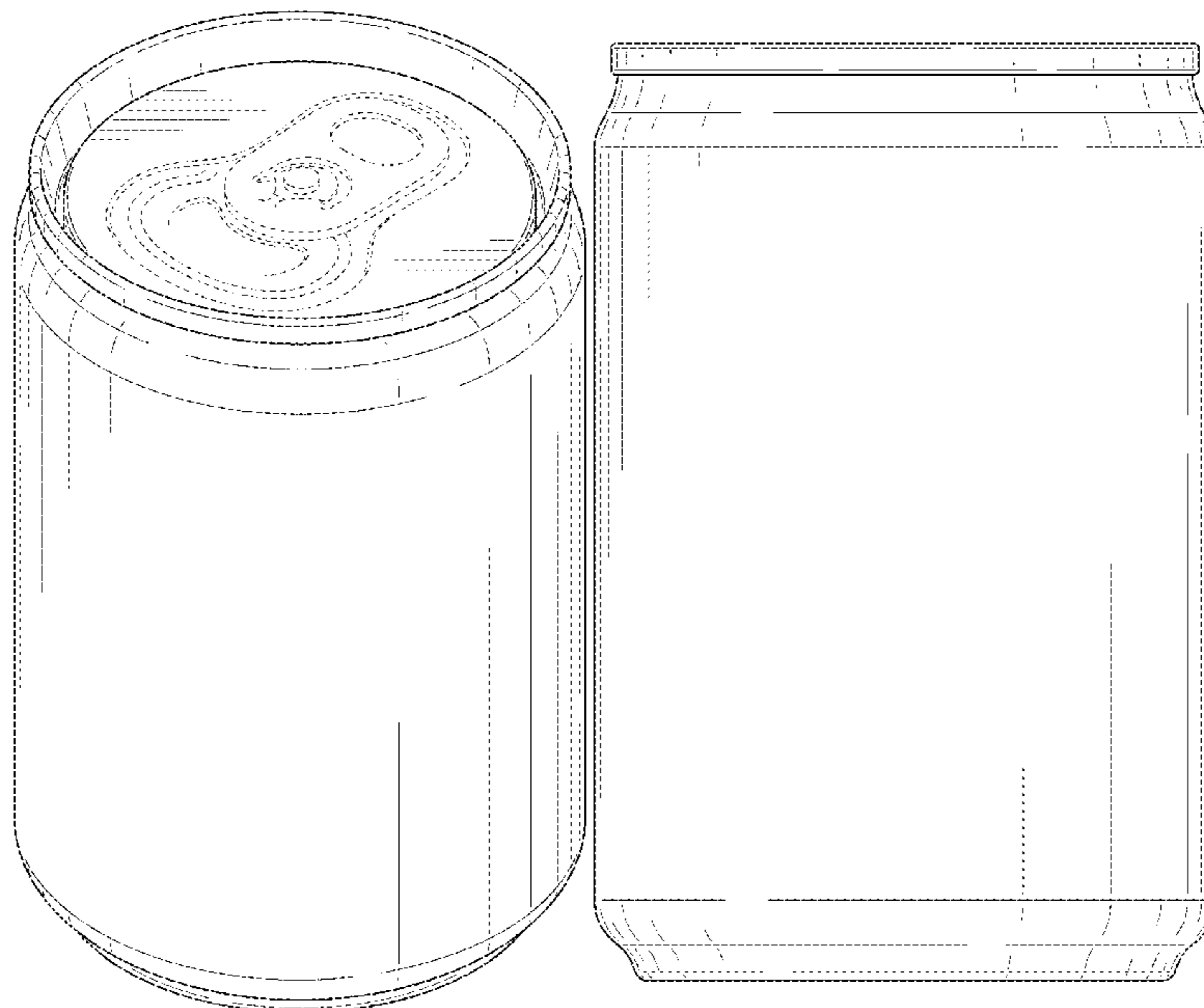
(57) **CLAIM**

The ornamental design for a “beverage container”, as shown and described.

**DESCRIPTION**

FIG. 1 is a perspective view of a beverage container. FIG. 2 is a side view of the beverage container of FIG. 1. FIG. 3 is a top view of the beverage container of FIG. 1; and, FIG. 4 is a bottom view of the beverage container of FIG. 1. The features shown in broken lines form no part of the claimed design.

**1 Claim, 3 Drawing Sheets**



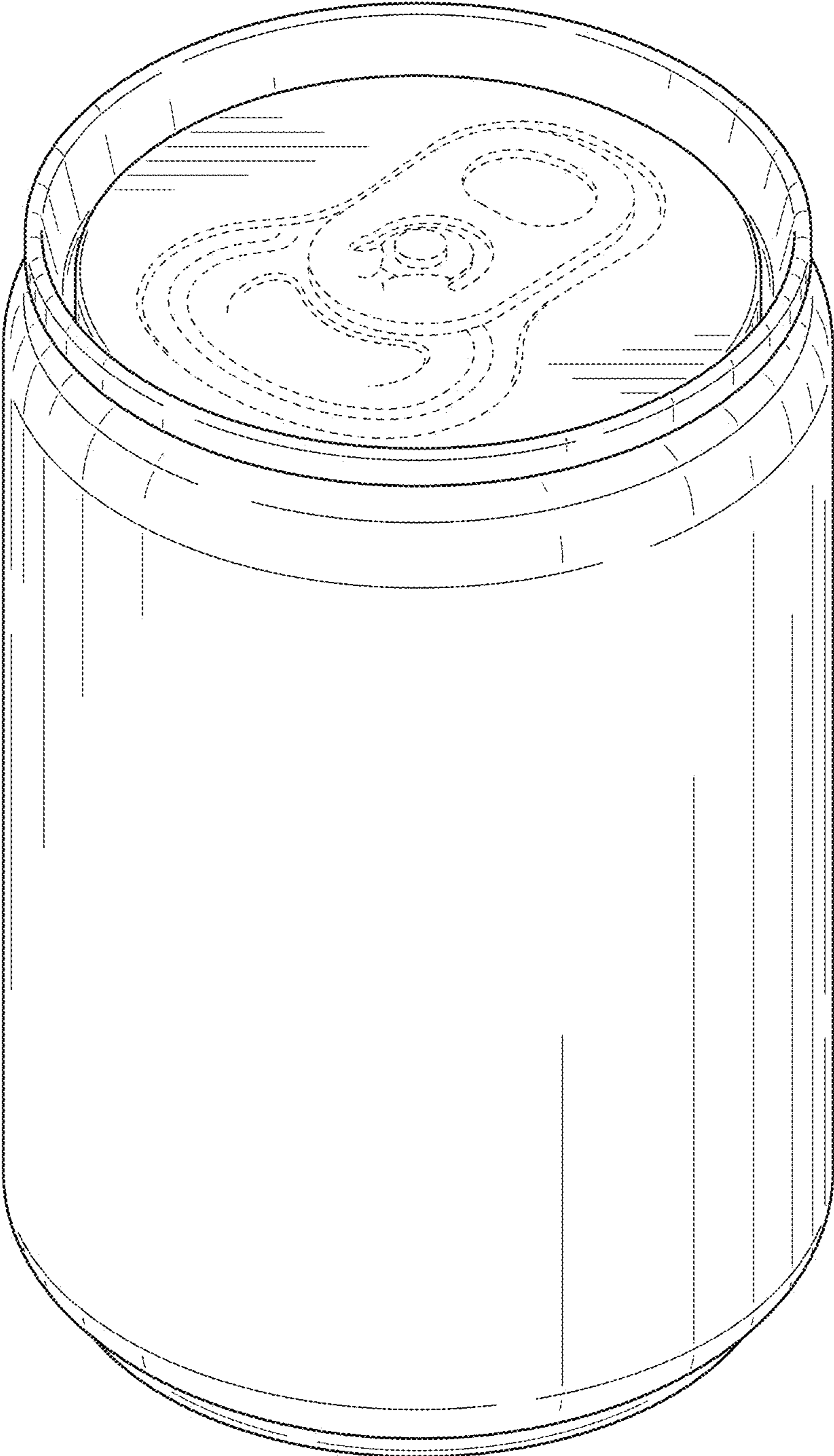


FIG. 1

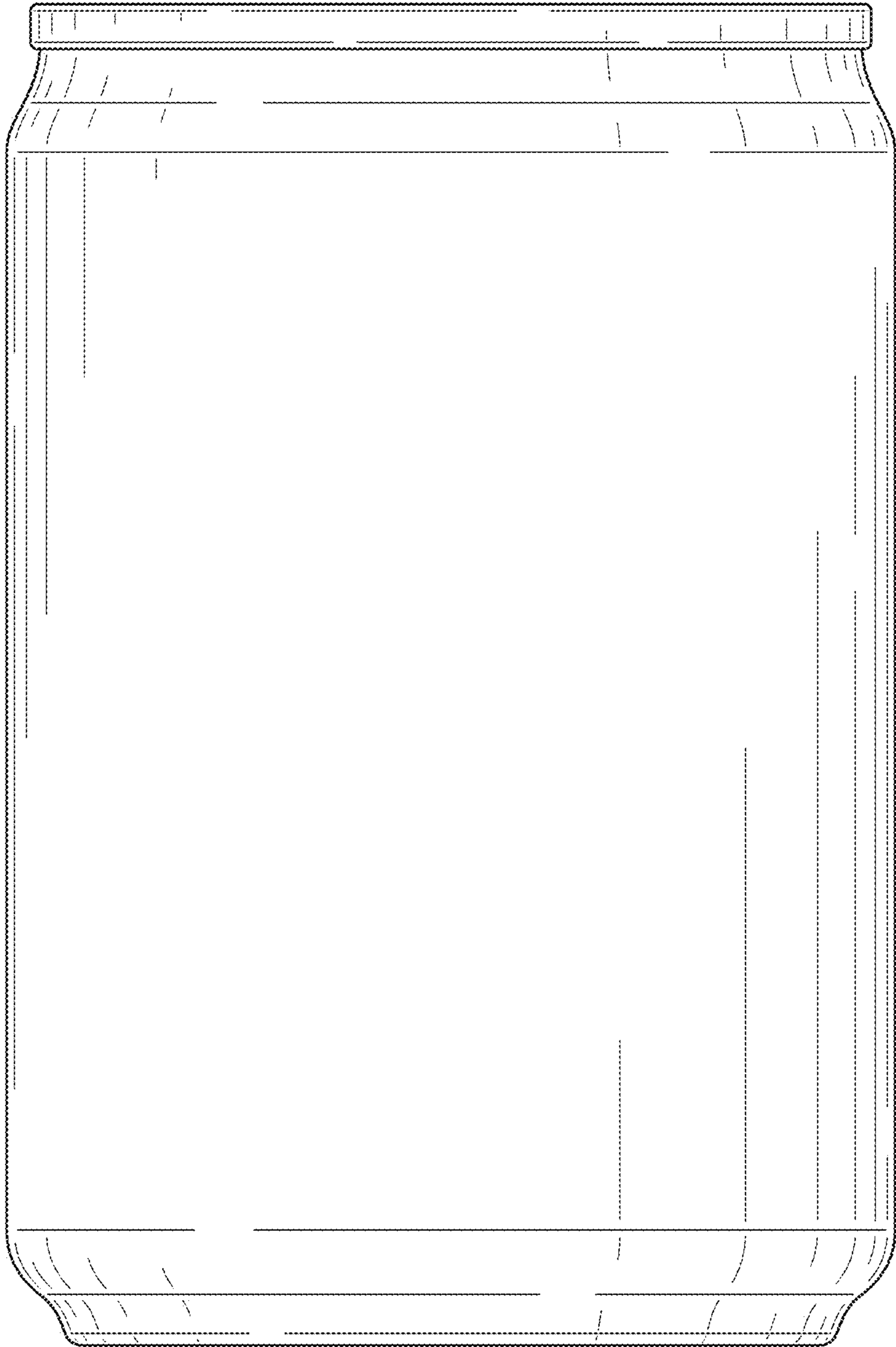


FIG. 2

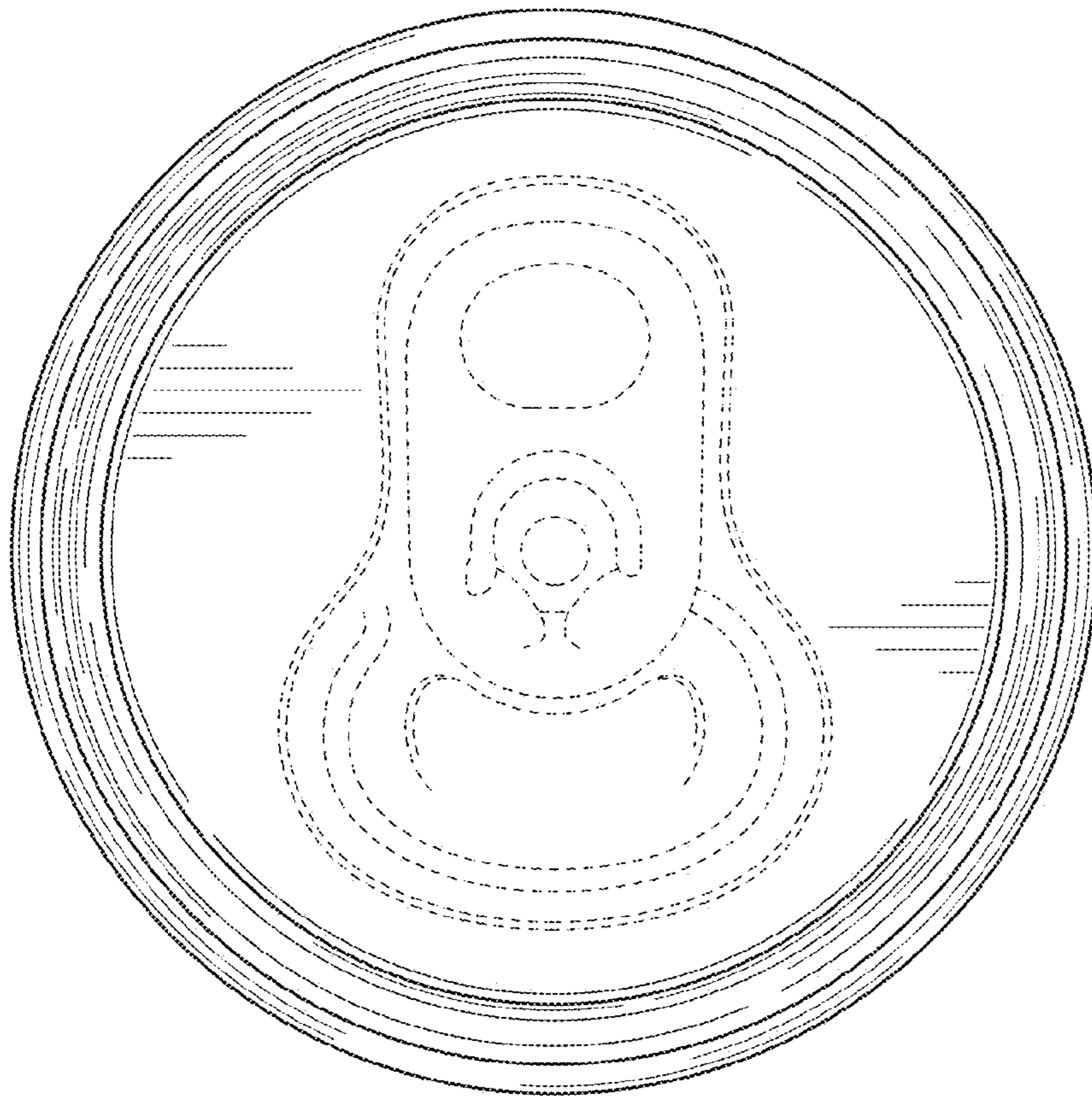


FIG. 3

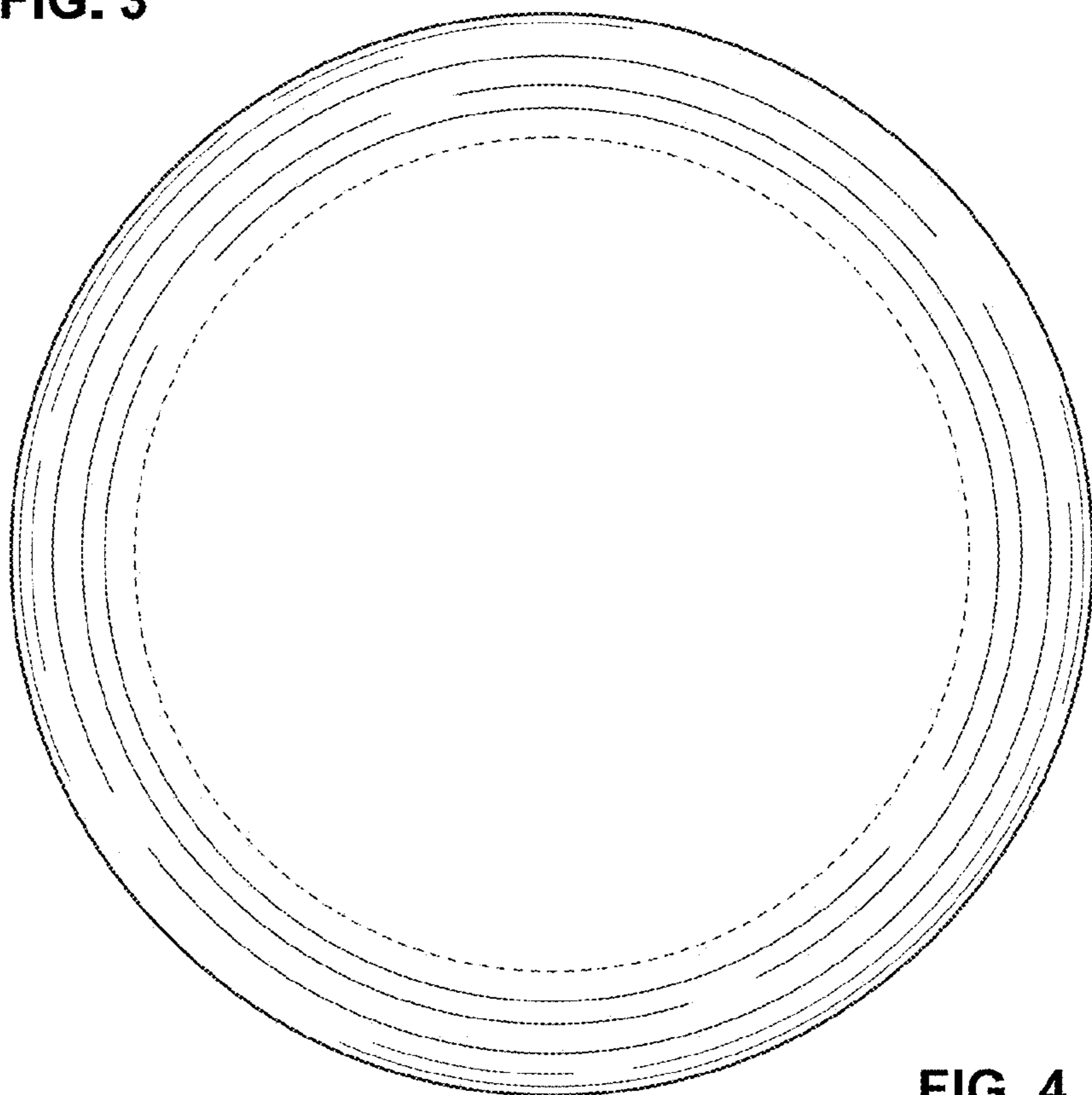


FIG. 4