



US00D956567S

(12) **United States Design Patent**  
**Clay et al.**

(10) **Patent No.:** **US D956,567 S**

(45) **Date of Patent:** **\*\* Jul. 5, 2022**

- (54) **JAR**
- (71) Applicant: **Blue Buffalo Enterprises, Inc.**, Wilton, CT (US)
- (72) Inventors: **John Kevin Clay**, Milford, CT (US);  
**Nicole Kandoth**, Nyack, NY (US);  
**James E McCay**, Fairfield, CT (US)
- (73) Assignee: **Blue Buffalo Enterprises, Inc.**, Wilton, CT (US)
- (\*\*) Term: **15 Years**
- (21) Appl. No.: **29/706,265**
- (22) Filed: **Sep. 19, 2019**
- (51) **LOC (13) Cl.** ..... **09-01**
- (52) **U.S. Cl.**  
USPC ..... **D9/563; D9/574**
- (58) **Field of Classification Search**  
USPC .... D9/9, 522, 523, 530, 541-543, 563, 575,  
D9/655, 574; D28/76, 78, 82; D26/22  
CPC . B65D 1/0223; B65D 2501/0081; B65D 1/02  
See application file for complete search history.

(56) **References Cited**

**U.S. PATENT DOCUMENTS**

D20,519 S	2/1891	Estes	
D57,488 S	4/1921	Vivaudou	
D86,712 S *	4/1932	Fuerst	D9/523
D89,420 S *	3/1933	Smith	D9/563
D200,268 S *	2/1965	Lorenzen	D9/574
D485,182 S	1/2004	Gaydon	
D509,438 S *	9/2005	Woerz	D9/563
D550,095 S *	9/2007	De Oliveira Neto	D9/574
D576,883 S *	9/2008	Carapelli	D9/575
D584,154 S *	1/2009	Fitzsimmons	D9/575
D585,303 S *	1/2009	Fitzsimmons	D9/575
D609,100 S *	2/2010	Licari	D9/575
D624,431 S	9/2010	Gentil	
D649,063 S *	11/2011	Bakalis	D9/544

D666,061 S	8/2012	Ying	
D756,228 S *	5/2016	Premkumar	D9/563
2012/0187069 A1 *	7/2012	Harris	B65D 1/0223 215/381

**FOREIGN PATENT DOCUMENTS**

BG	4443-0001	*	9/2002
GB	1045402	*	7/1988
IN	227677-0001	*	2/2011

(Continued)

*Primary Examiner* — Brett Miller

*Assistant Examiner* — Rani J Abdallah

(74) *Attorney, Agent, or Firm* — Diederiks & Whitelaw, PLC; Annette M. Frawley, Esq.

(57) **CLAIM**

The ornamental design for a jar, as shown and described.

**DESCRIPTION**

FIG. 1 is an upper perspective view of a jar according to our new design;

FIG. 2 is front view of the jar;

FIG. 3 is a rear view of the jar;

FIG. 4 is a right view of the jar;

FIG. 5 is a left view of the jar;

FIG. 6 is a top view of the jar;

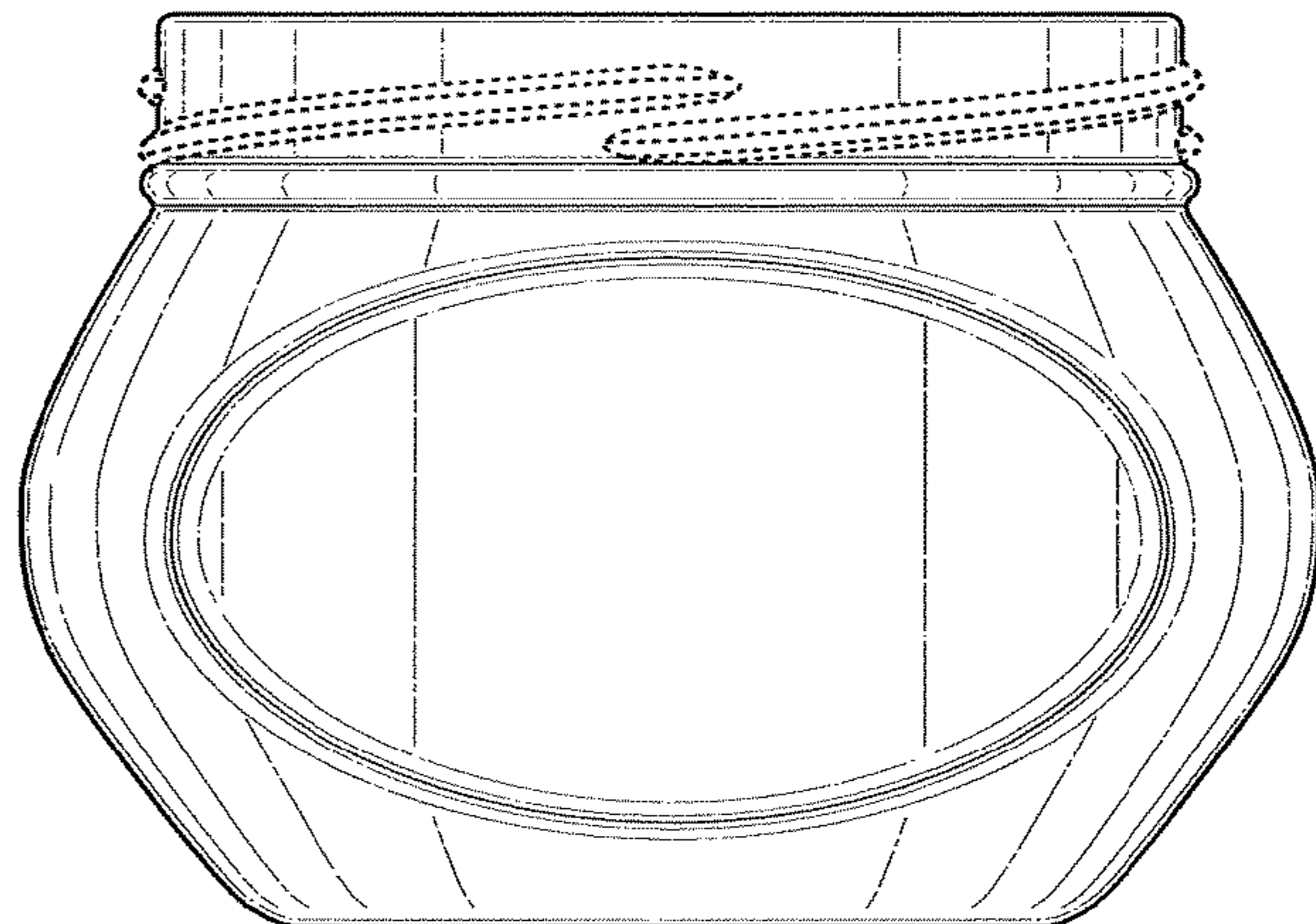
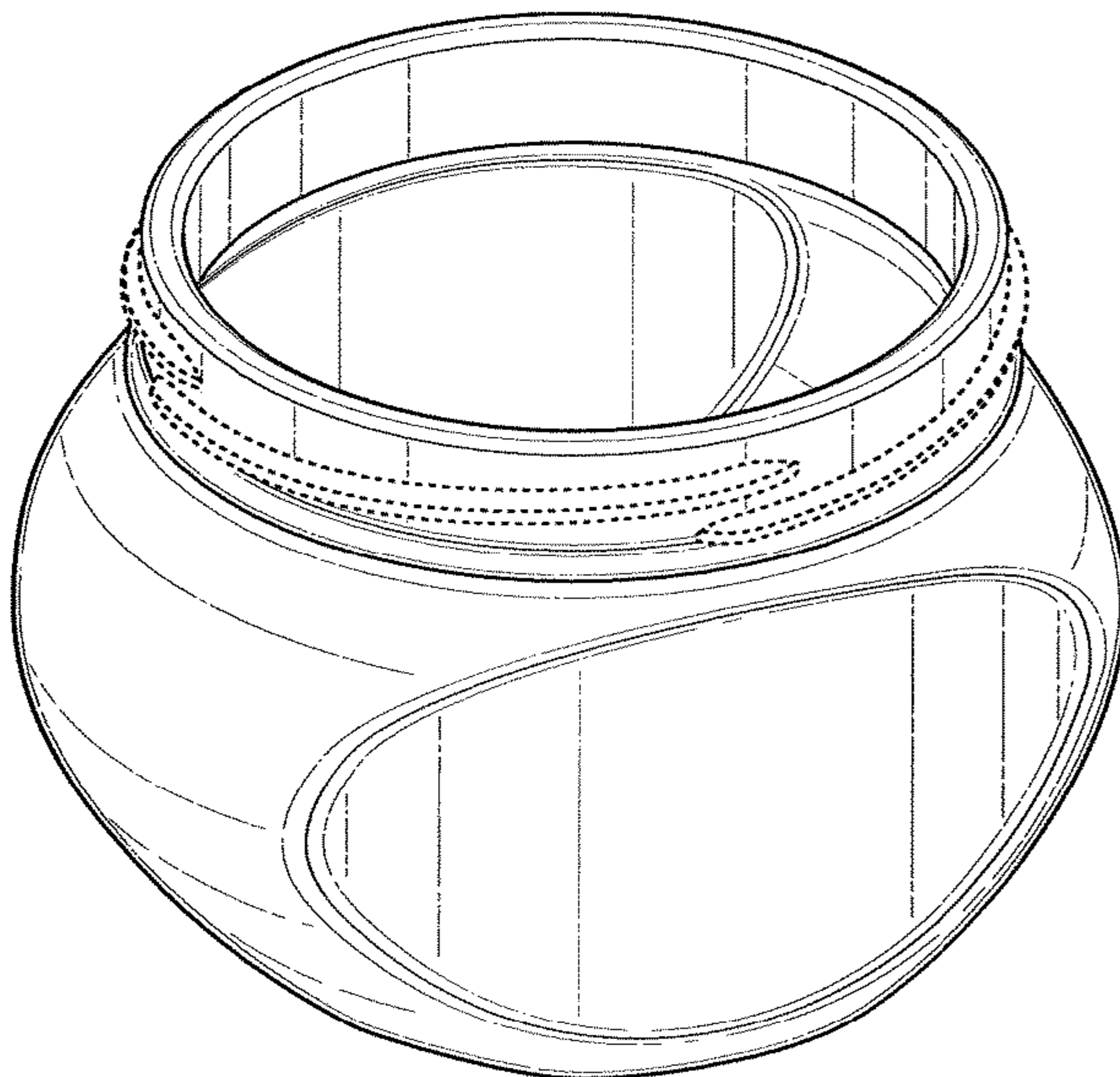
FIG. 7 is a bottom view of the jar; and,

FIG. 8 is a cross section view of the jar, taken along line 8-8 in FIG. 6.

In FIGS. 1-6 and 8, broken lines are used to disclose environment structures related to the claimed design for illustrative purposes and form no part of the claimed design.

In FIGS. 1-6 and 8, broken lines are used to show exterior screw threads on the mouth of the jar for illustrative purposes only.

**1 Claim, 5 Drawing Sheets**



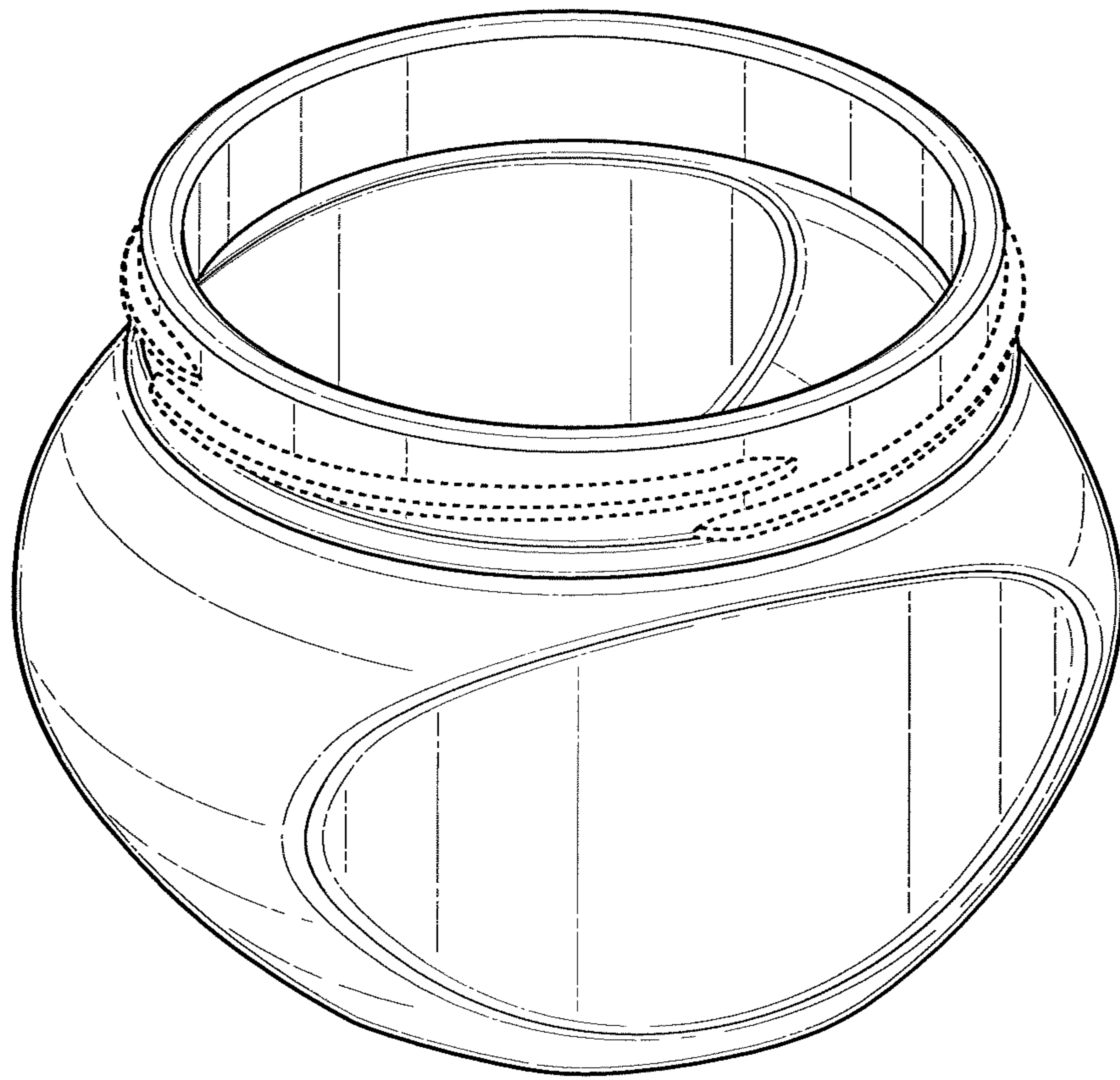
(56)

**References Cited**

FOREIGN PATENT DOCUMENTS

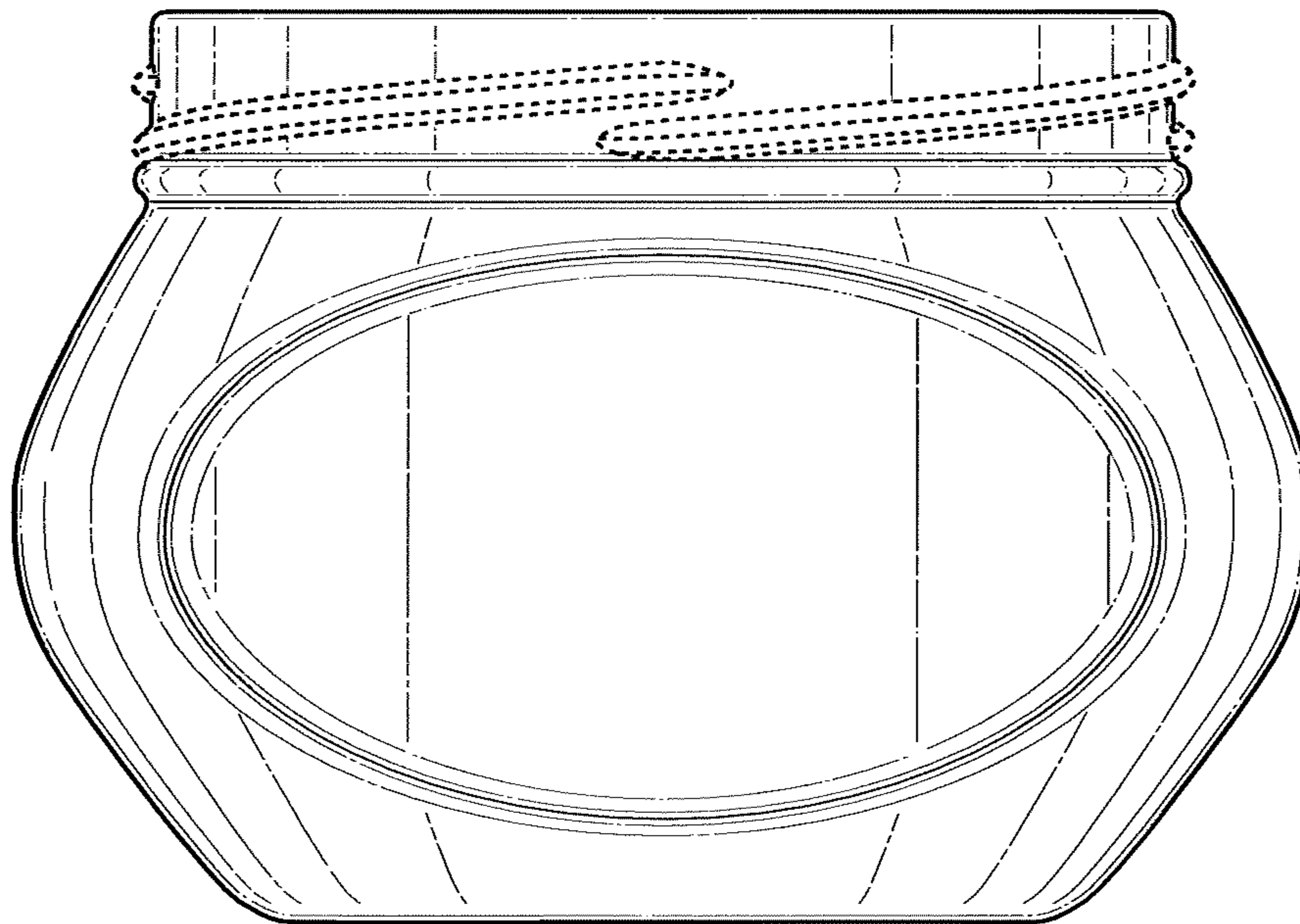
JP	HH10032269	6/1997
JP	HJ21055841	1/2010
JP	2013-244347	12/2013
JP	HB27002844	7/2015
RU	00096025	* 11/2015

\* cited by examiner

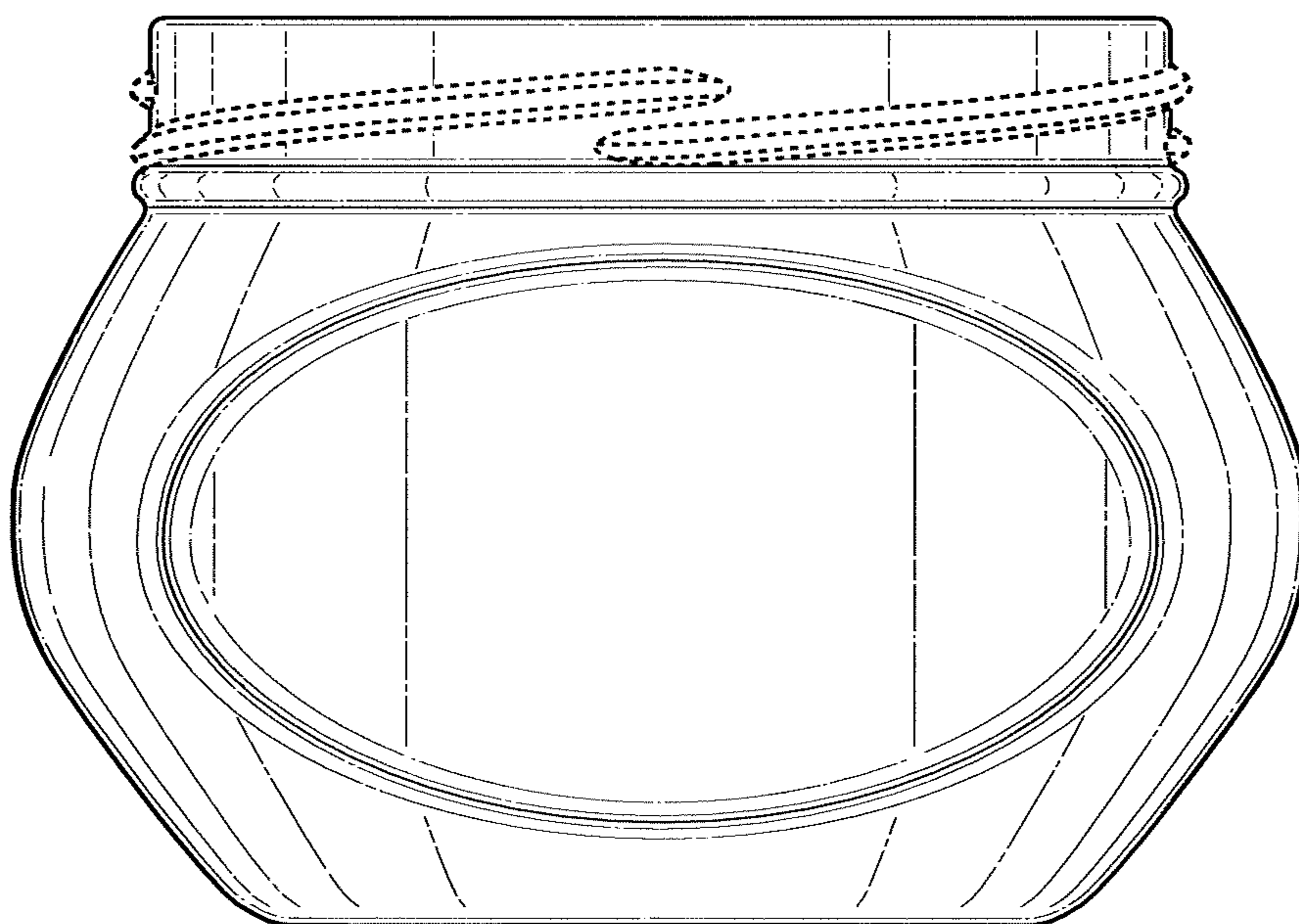


**FIG. 1**

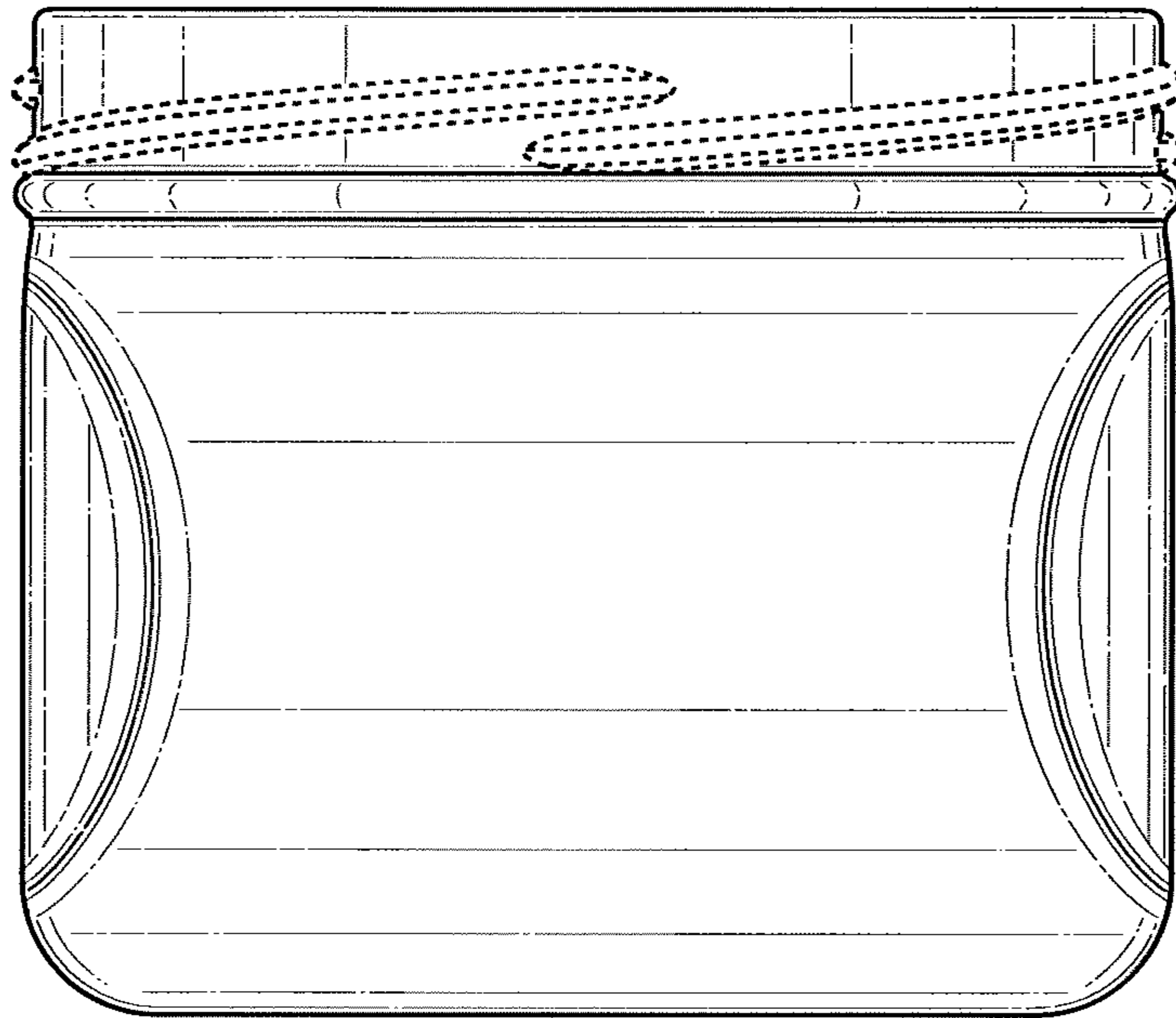




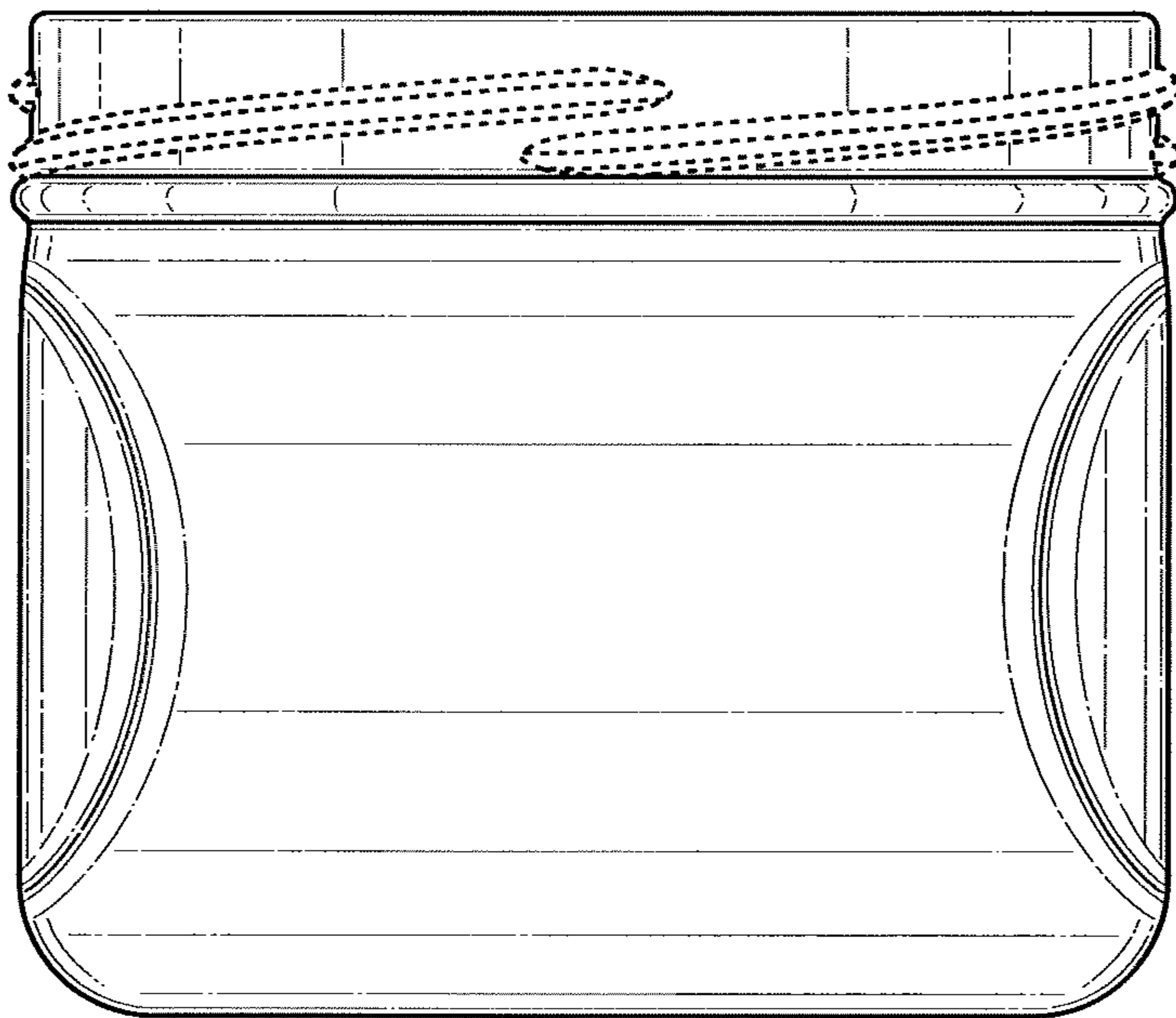
**FIG. 2**



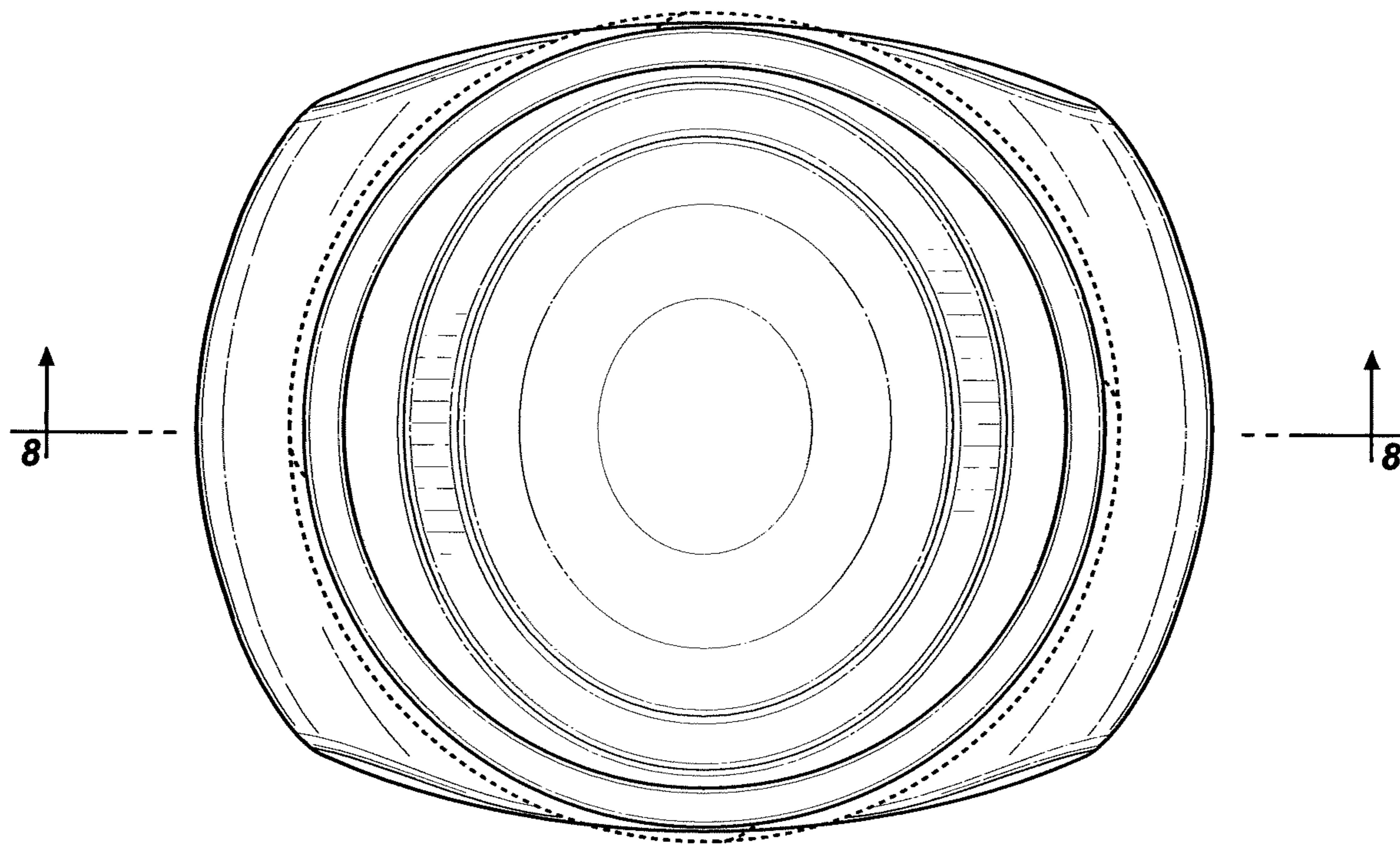
**FIG. 3**



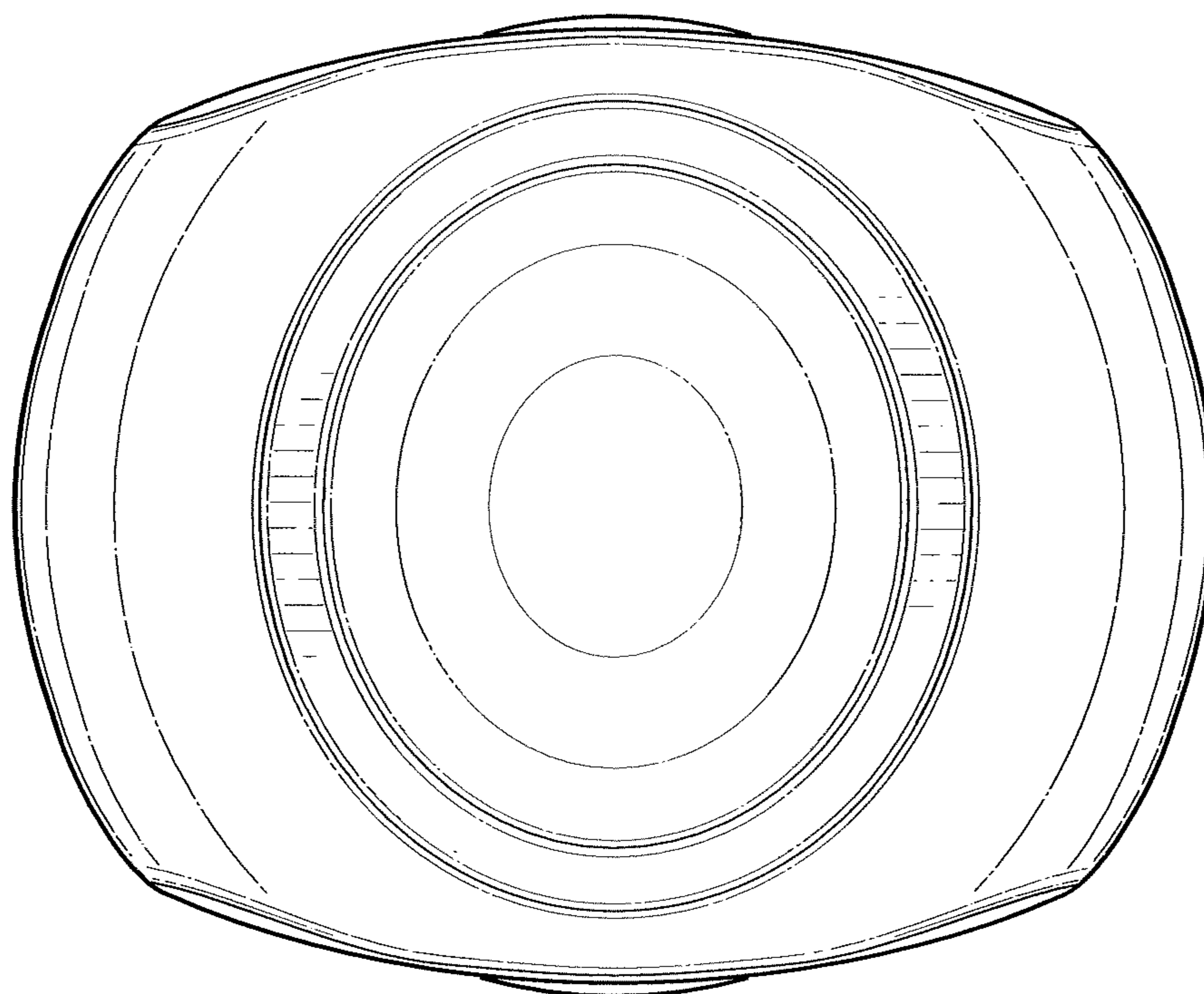
**FIG. 4**



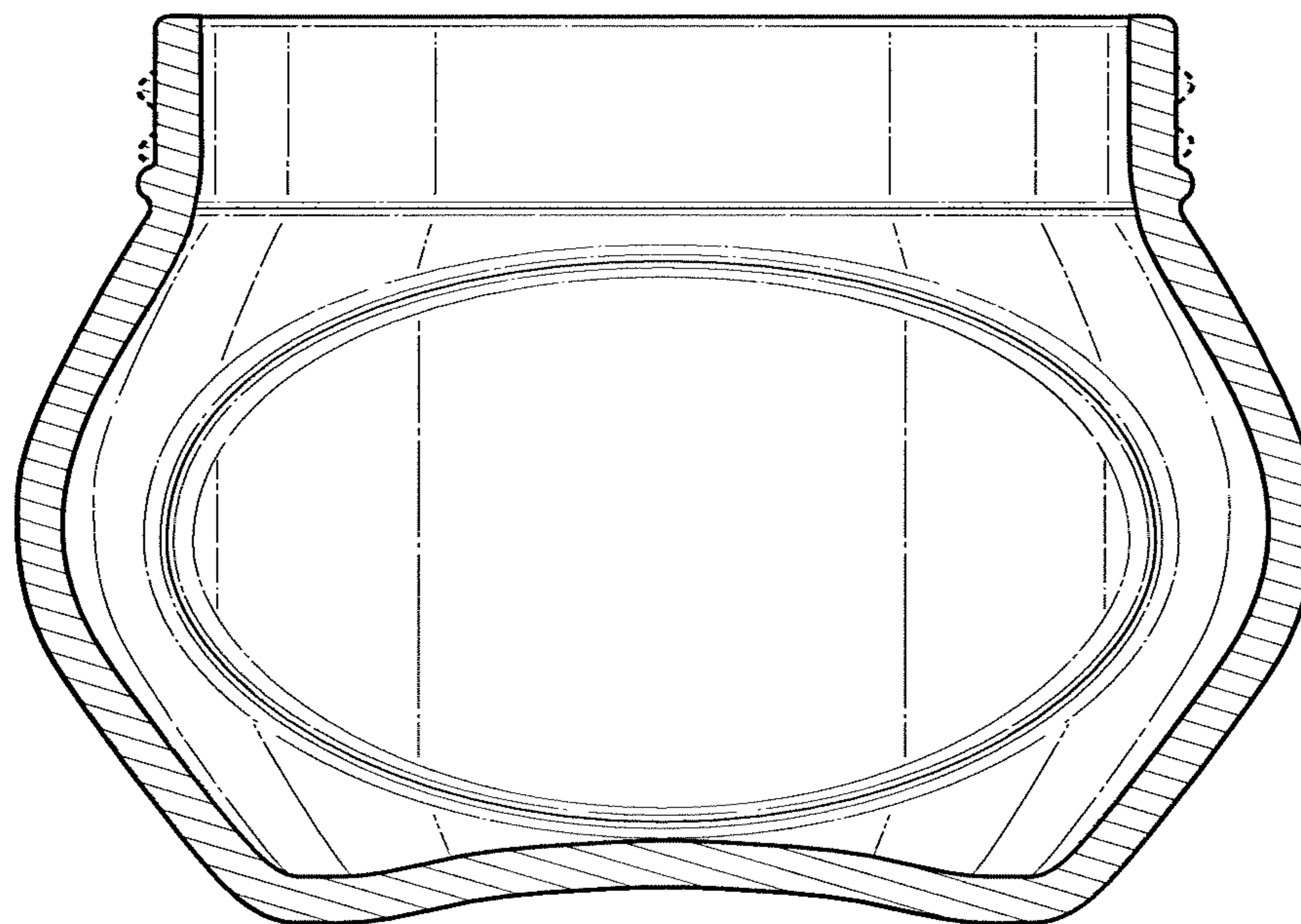
**FIG. 5**



**FIG. 6**



**FIG. 7**



**FIG. 8**