



US00D956564S

(12) **United States Design Patent**
Villeger

(10) **Patent No.:** **US D956,564 S**

(45) **Date of Patent:** **** Jul. 5, 2022**

- (54) **PERFUME BOTTLE**
- (71) Applicant: **MOLTON BROWN LIMITED**,
London (GB)
- (72) Inventor: **Vincent Villeger**, Kent (GB)
- (73) Assignee: **MOLTON BROWN LIMITED**,
London (GB)
- (**) Term: **15 Years**
- (21) Appl. No.: **29/736,812**
- (22) Filed: **Jun. 3, 2020**
- (51) **LOC (13) Cl.** **09-01**
- (52) **U.S. Cl.**
USPC **D9/503**; D9/454; D9/504
- (58) **Field of Classification Search**
USPC D9/434-435, 439, 444-445, 454, 500,
D9/503-504, 516, 529, 549, 558, 682,
D9/686, 688, 690, 715, 719
CPC B65D 1/00; B65D 1/02; B65D 1/0223;
B65D 23/00; B65D 2501/00; B65D
2501/0009
See application file for complete search history.

- D823,689 S * 7/2018 Durand D9/503
- D873,074 S * 1/2020 Diefenbach D7/510
- D878,156 S * 3/2020 Rittri D7/511
- D906,115 S * 12/2020 Louis D9/503
- D915,204 S * 4/2021 Bravman D9/503
- D917,292 S * 4/2021 Blomberg D9/504
- D926,586 S * 8/2021 Ortegren D9/691
- D932,302 S * 10/2021 Sung D9/503

* cited by examiner

Primary Examiner — Dana Meyrow

(74) *Attorney, Agent, or Firm* — Norris McLaughlin, P.A.

(57) **CLAIM**

The ornamental design for a perfume bottle, as shown and described.

DESCRIPTION

FIG. 1 is a perspective view of the perfume bottle;
 FIG. 2 is a side view thereof;
 FIG. 3 is a top view thereof;
 FIG. 4 is a perspective view of the perfume bottle of FIG. 1 with the cap removed;
 FIG. 5 is a side view of the perfume bottle of FIG. 1 with the cap removed;
 FIG. 6 is an opposite side view of the perfume bottle of FIG. 1 with the cap removed; and,
 FIG. 7 is a top view of the perfume bottle of FIG. 1 with the cap removed.

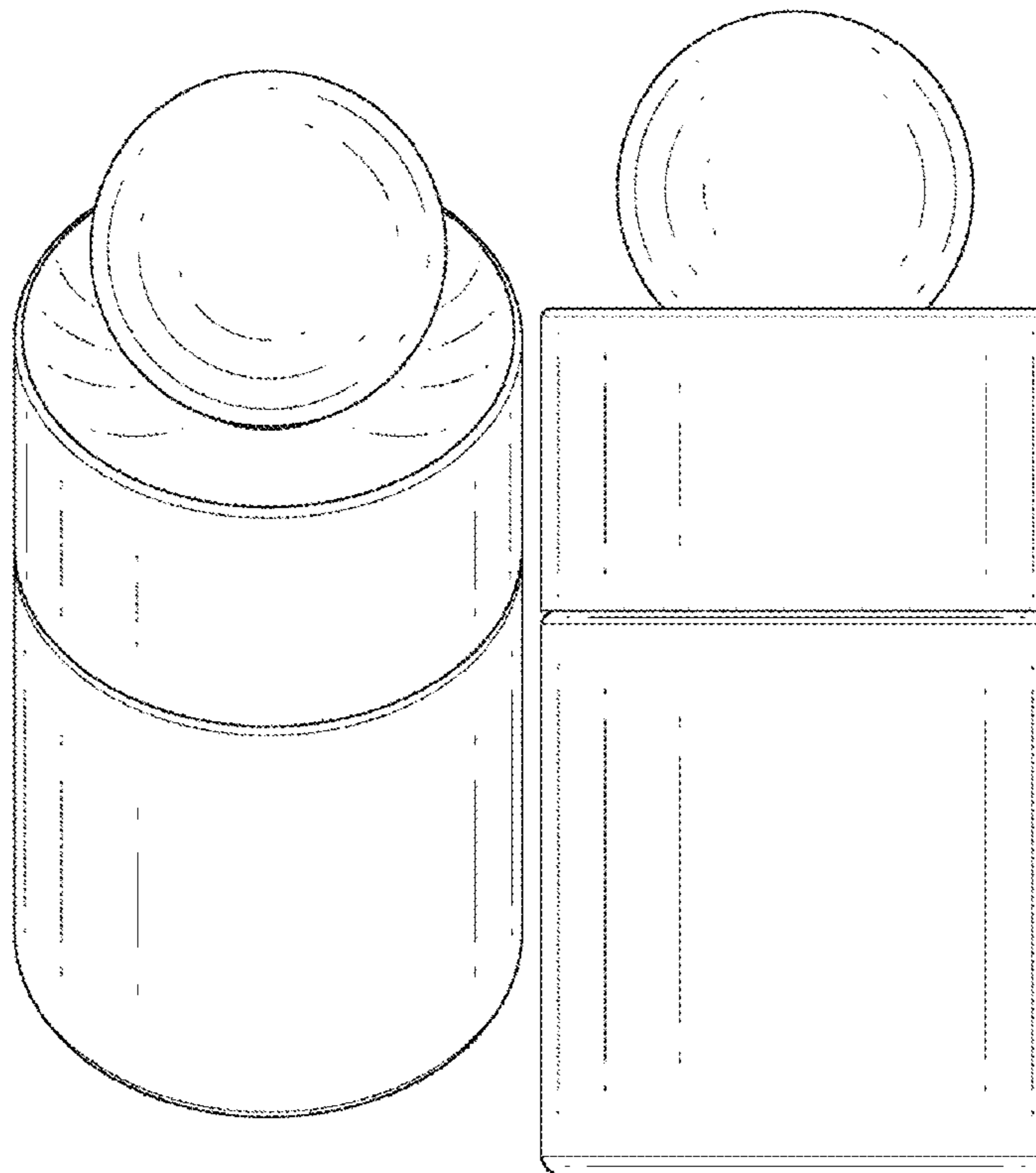
The portion shown in dotted line is intended to show placement of the design and does not form part of the claim.

1 Claim, 7 Drawing Sheets

(56) **References Cited**

U.S. PATENT DOCUMENTS

- D258,571 S * 3/1981 Hirtle D9/560
- D296,060 S * 6/1988 Wilkinson D6/542
- D296,665 S * 7/1988 Hofer D11/146
- D795,699 S * 8/2017 Vivas D9/563



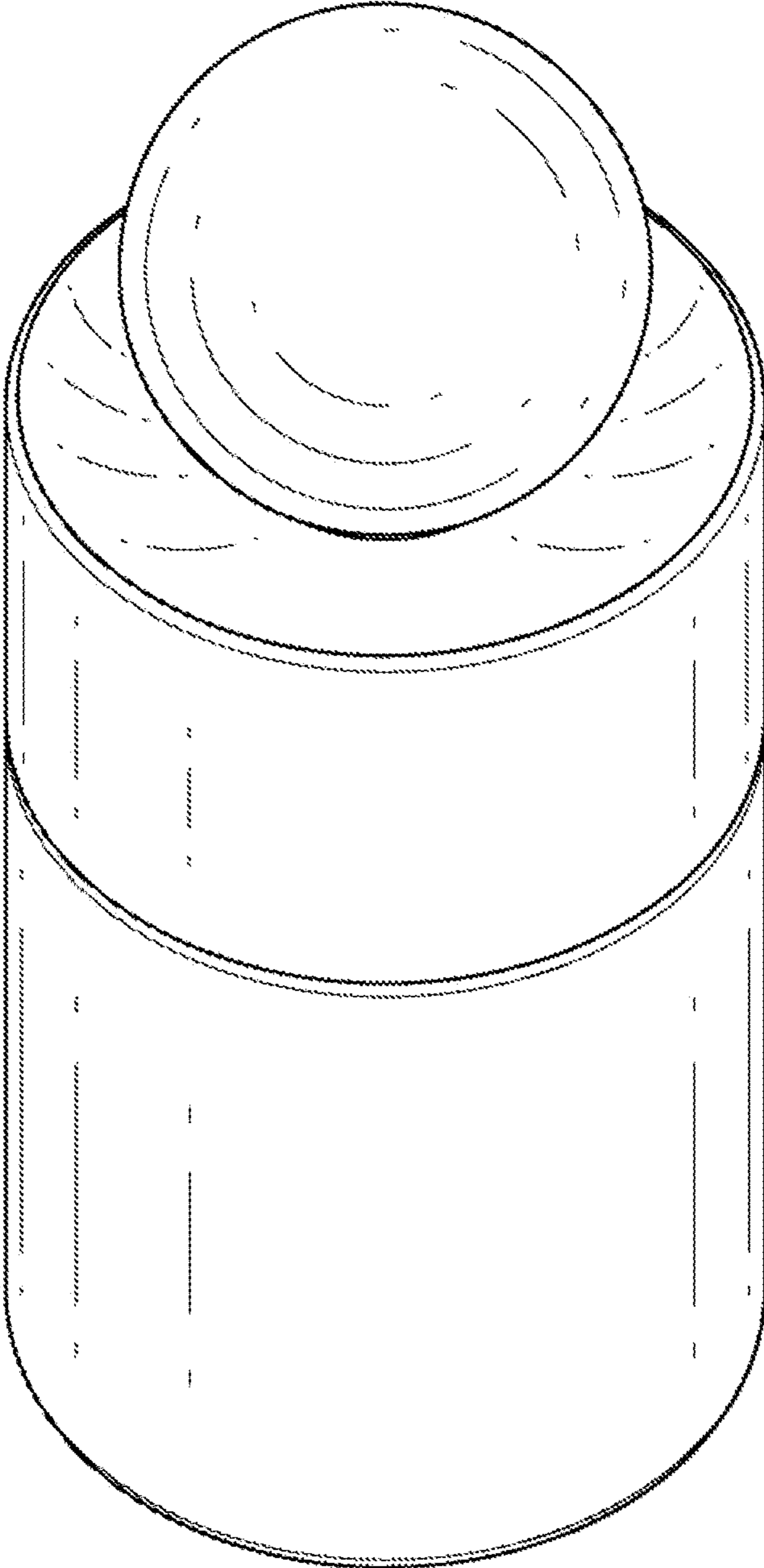


FIG. 1

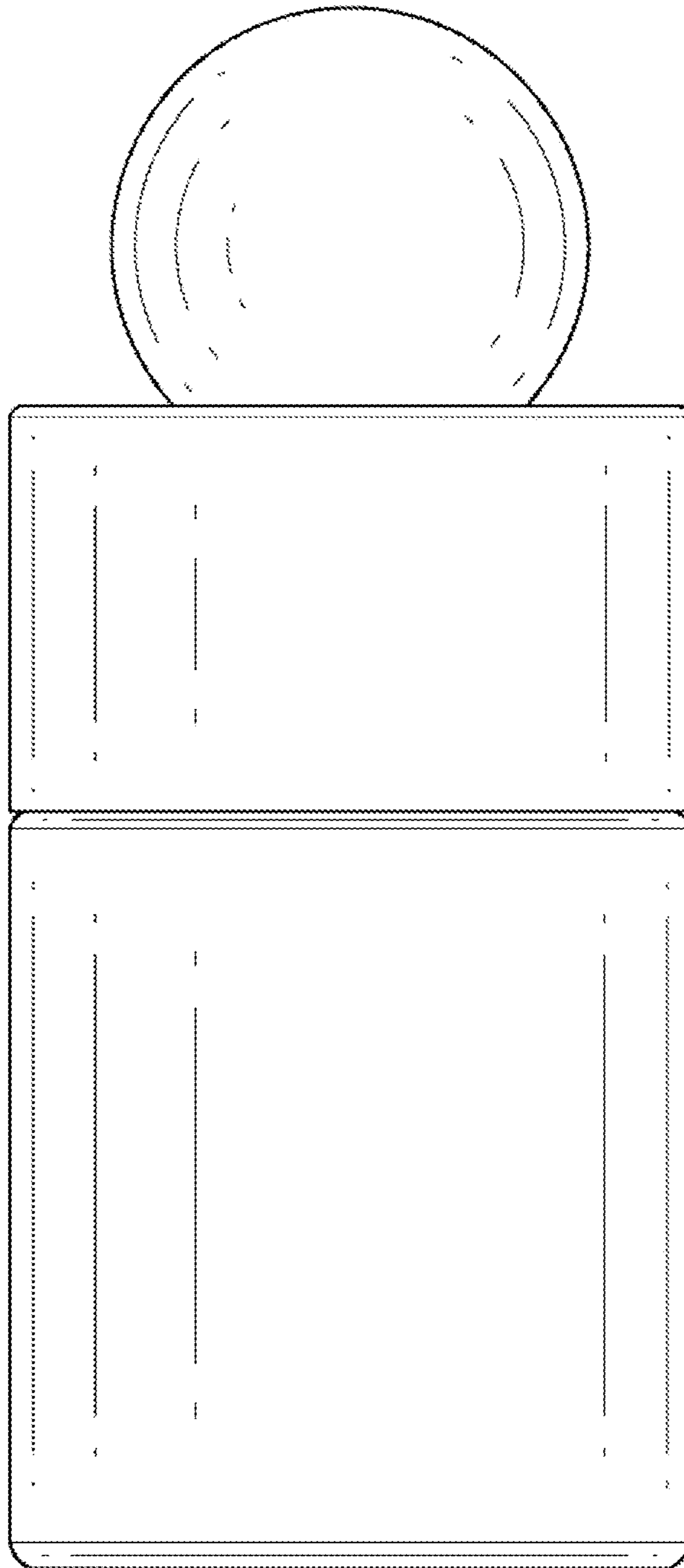


FIG. 2

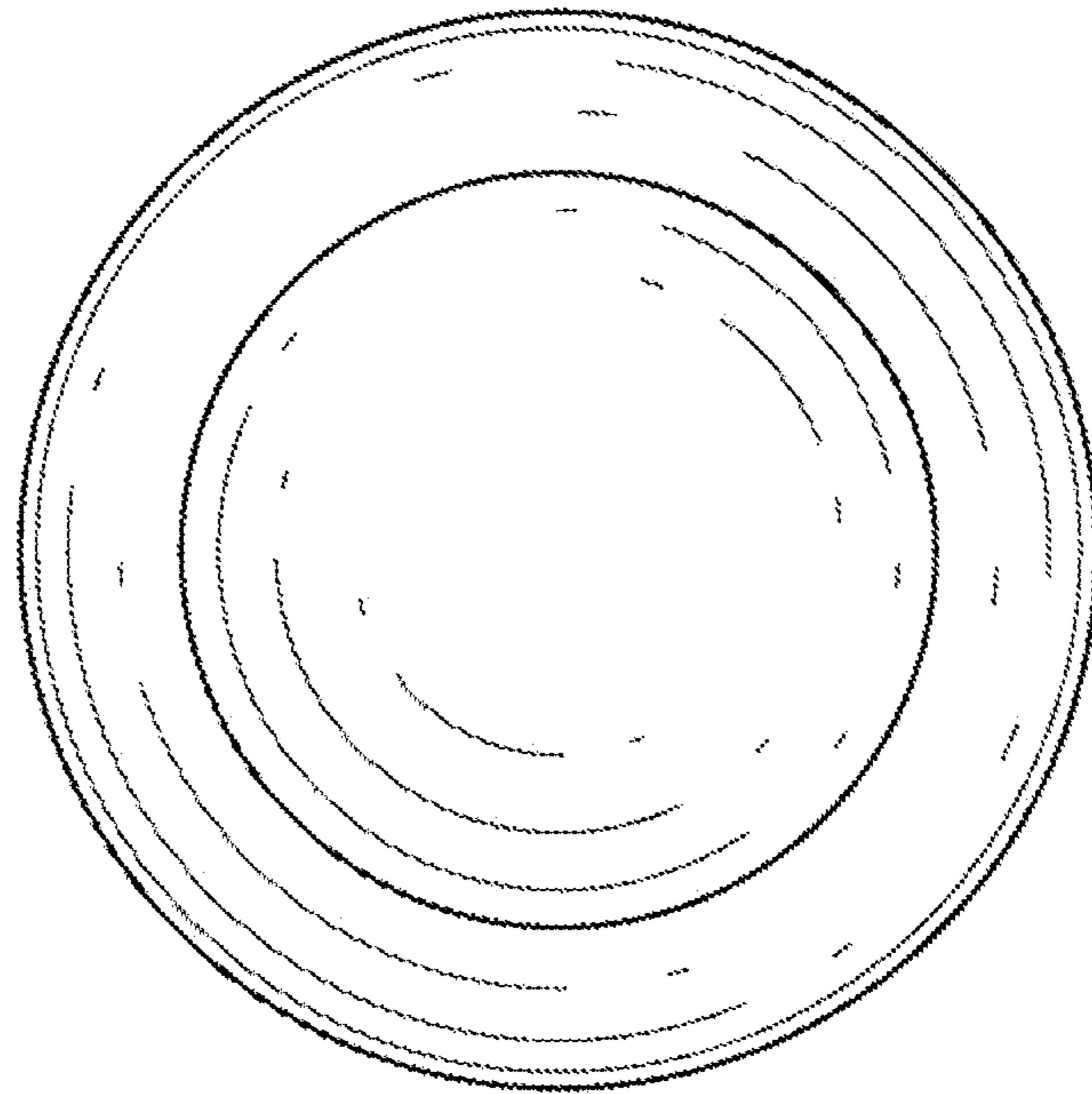


FIG. 3

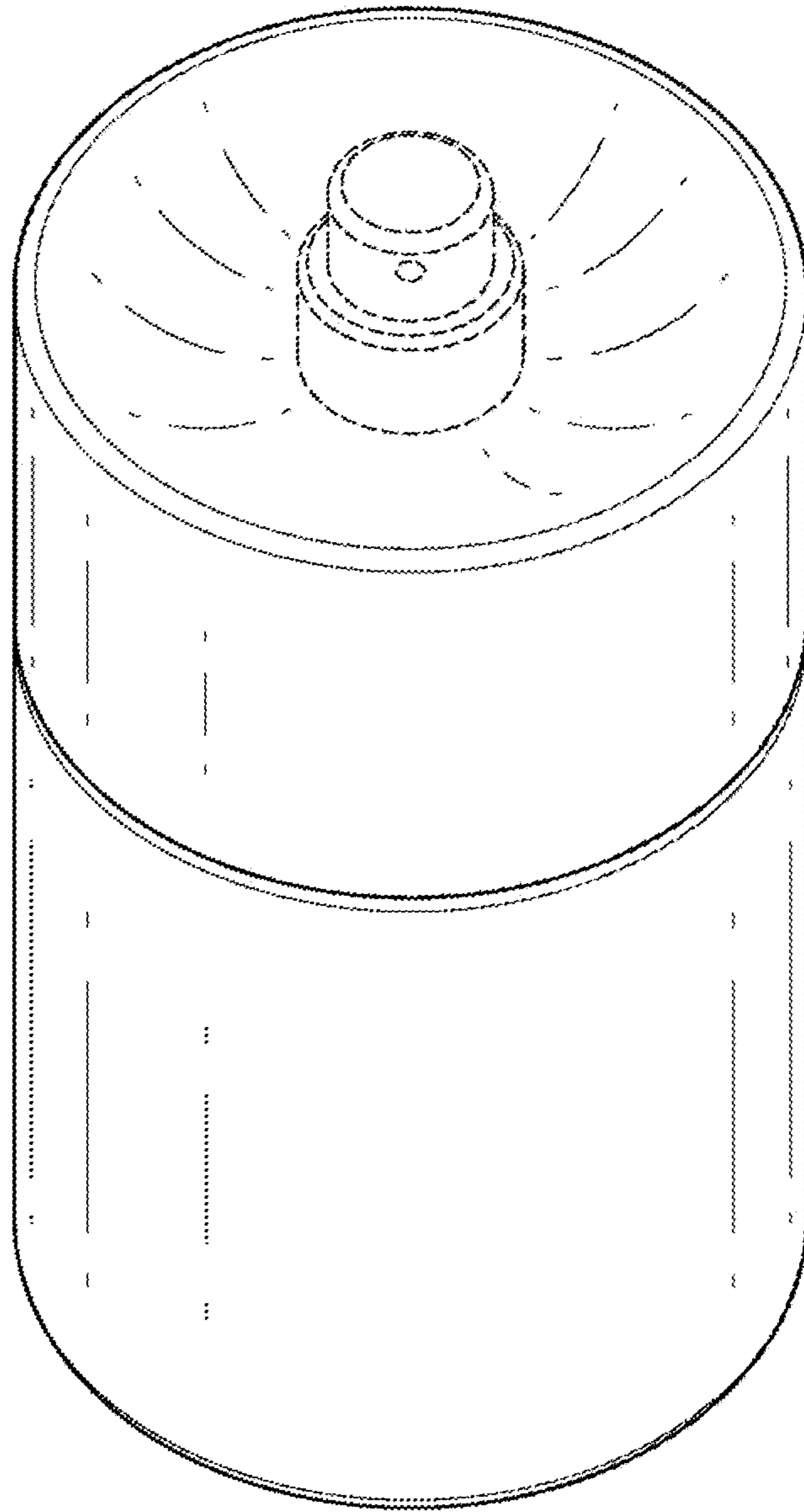


FIG. 4

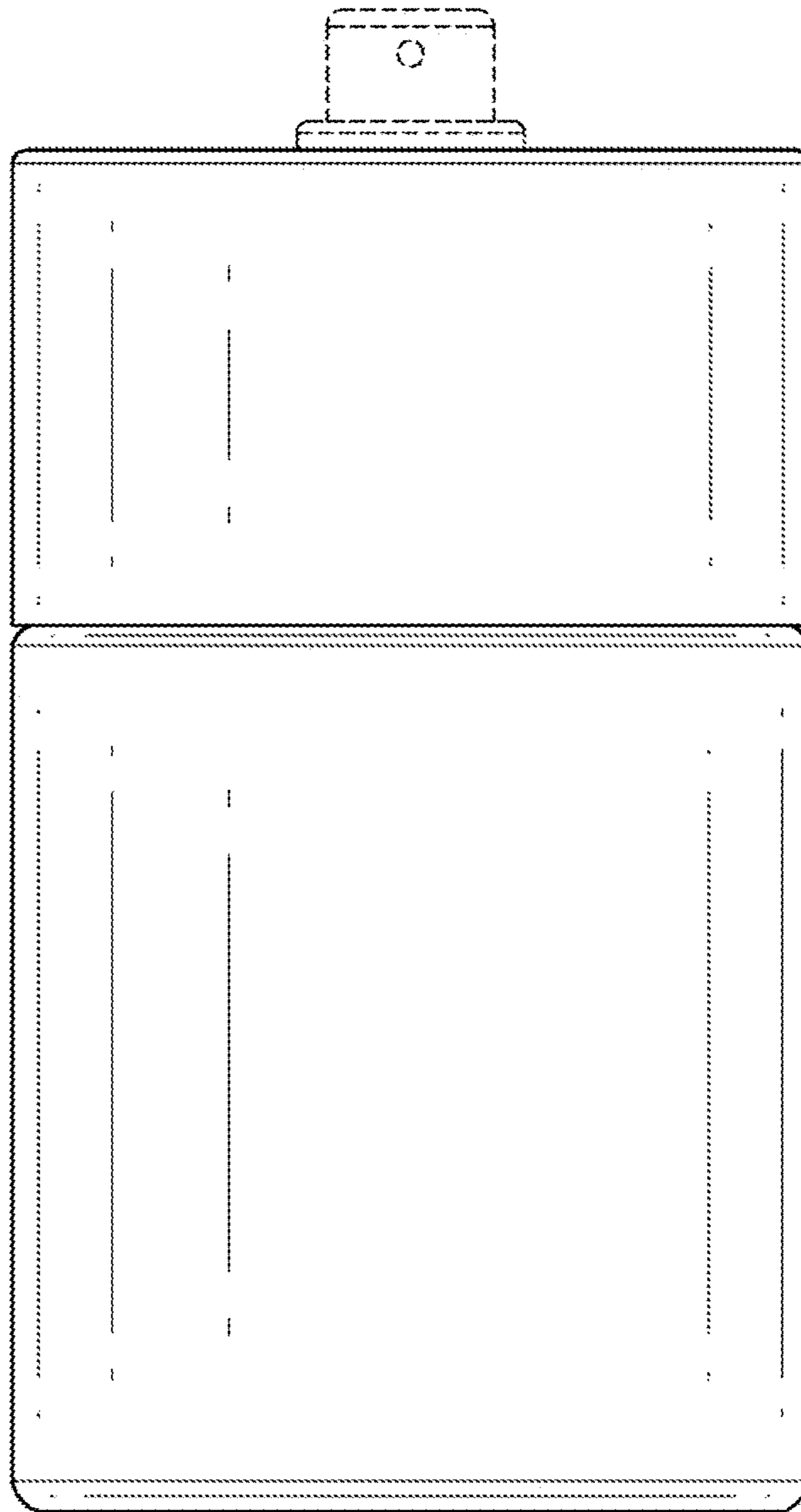


FIG. 5

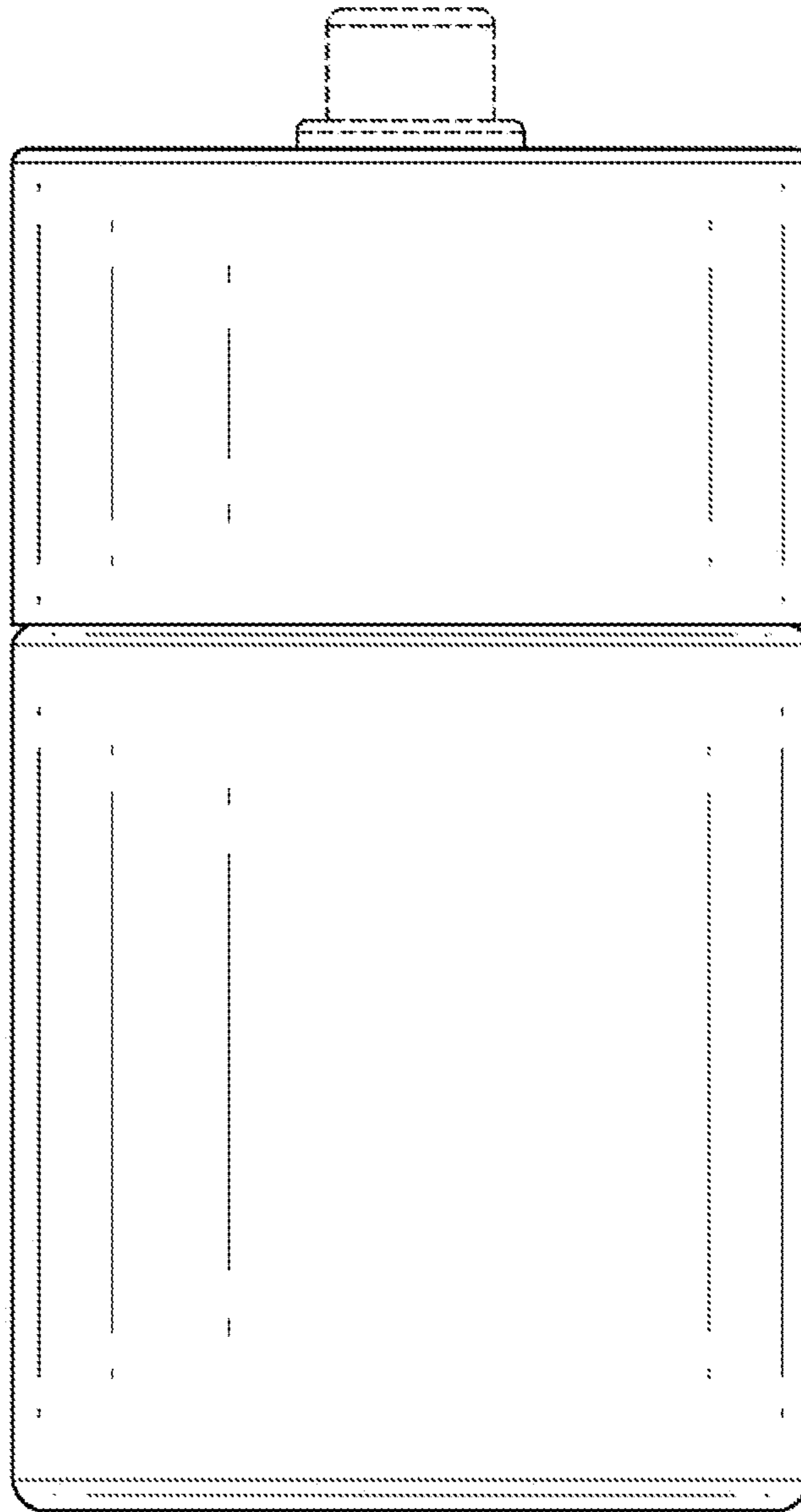


FIG. 6

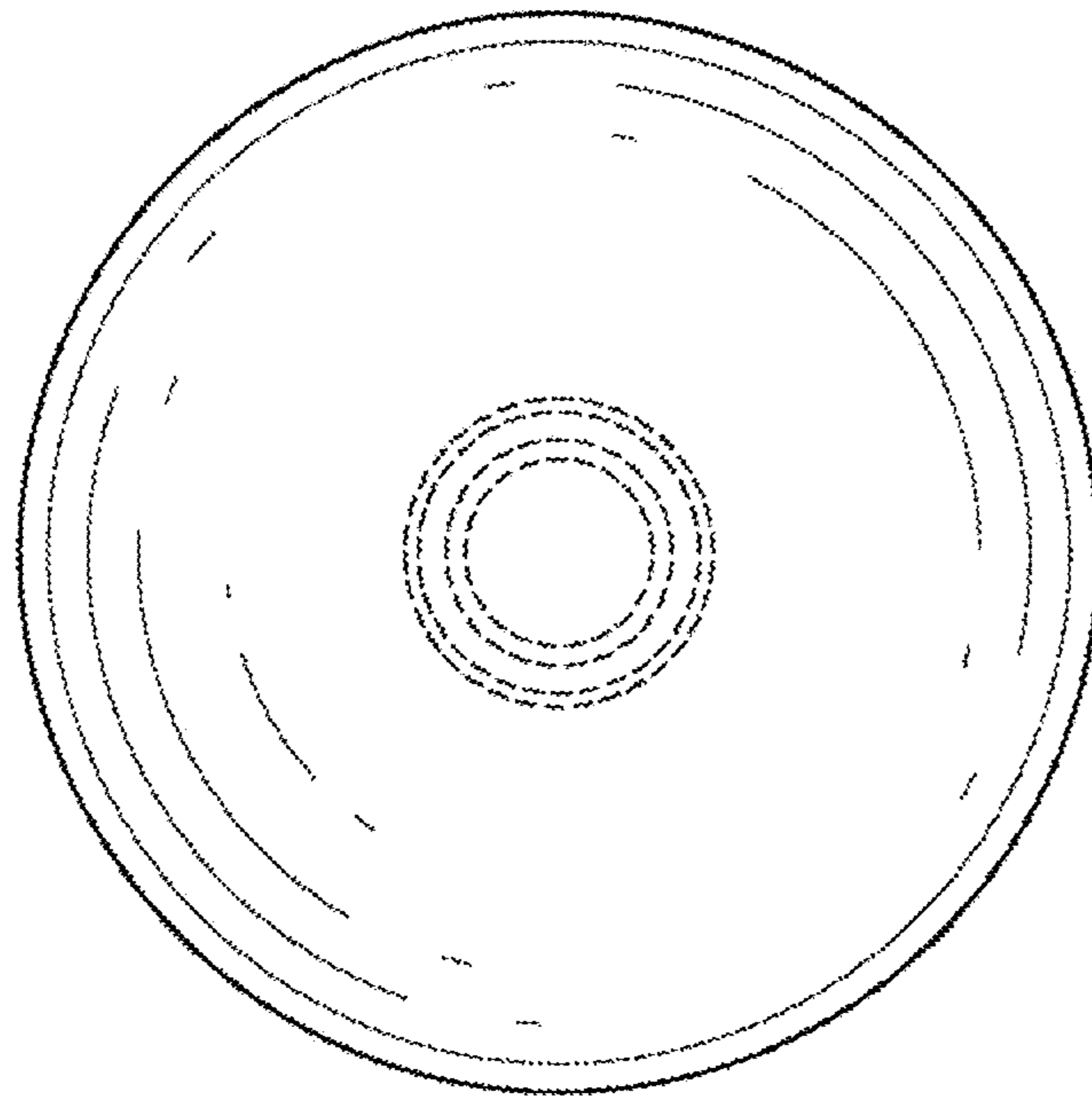


FIG. 7