



US00D956563S

(12) **United States Design Patent**  
**Lantz**

(10) **Patent No.:** **US D956,563 S**  
(45) **Date of Patent:** **\*\* Jul. 5, 2022**

(54) **JAR**

(71) Applicant: **Norkol Packaging LLC**, Denver, CO (US)

(72) Inventor: **Travis Lantz**, Arvada, CO (US)

(73) Assignee: **Norkol Packaging LLC**, Denver, CO (US)

(\*\*) Term: **15 Years**

(21) Appl. No.: **29/701,726**

(22) Filed: **Aug. 14, 2019**

(51) **LOC (13) Cl.** ..... **09-01**

(52) **U.S. Cl.**  
USPC ..... **D9/500; D9/520**

(58) **Field of Classification Search**  
USPC ..... D9/434, 500, 503–504, 516, 549, 558,  
D9/575; D3/203.2; D27/190  
CPC ..... B65D 1/00; B65D 1/02; B65D 1/0223;  
B65D 23/00; B65D 51/32; B65D  
2501/00; B65D 2501/0009  
See application file for complete search history.

(56) **References Cited**

**U.S. PATENT DOCUMENTS**

D26,704 S *	3/1897	Morningstar	.....	D9/503
D577,290 S *	9/2008	Moretti	.....	D9/500
D578,891 S *	10/2008	Canamasas Puigbo	.....	D9/500
D781,151 S *	3/2017	Lerman	.....	D9/500
D795,705 S *	8/2017	Huang	.....	D9/738
D797,559 S *	9/2017	Lerman	.....	D9/500
D814,705 S *	4/2018	Norris	.....	D28/82
D862,232 S *	10/2019	Burrowes	.....	D9/500
D871,218 S *	12/2019	Biesecker, II	.....	D9/500
D875,532 S *	2/2020	Lehanneur	.....	D9/500

(Continued)

**FOREIGN PATENT DOCUMENTS**

CA	192747	6/2021
CN	ZL202030051482.X	7/2020

(Continued)

**OTHER PUBLICATIONS**

Thick Wall Plastic Jars Round Base—PS. Catalogue [online]. ebottles.com, 2019 [retrieved on Aug. 13, 2019]. Retrieved from the Internet: <URL: [https://www.ebottles.com/showbottles-bottle-807-kw-THICK\\_WALL\\_PLASTIC\\_JARS\\_ROUND\\_BASE\\_\\_PS.htm](https://www.ebottles.com/showbottles-bottle-807-kw-THICK_WALL_PLASTIC_JARS_ROUND_BASE__PS.htm)>.

(Continued)

*Primary Examiner* — Dana Meyrow

(74) *Attorney, Agent, or Firm* — Schneider IP Law LLC; Laura Schneider

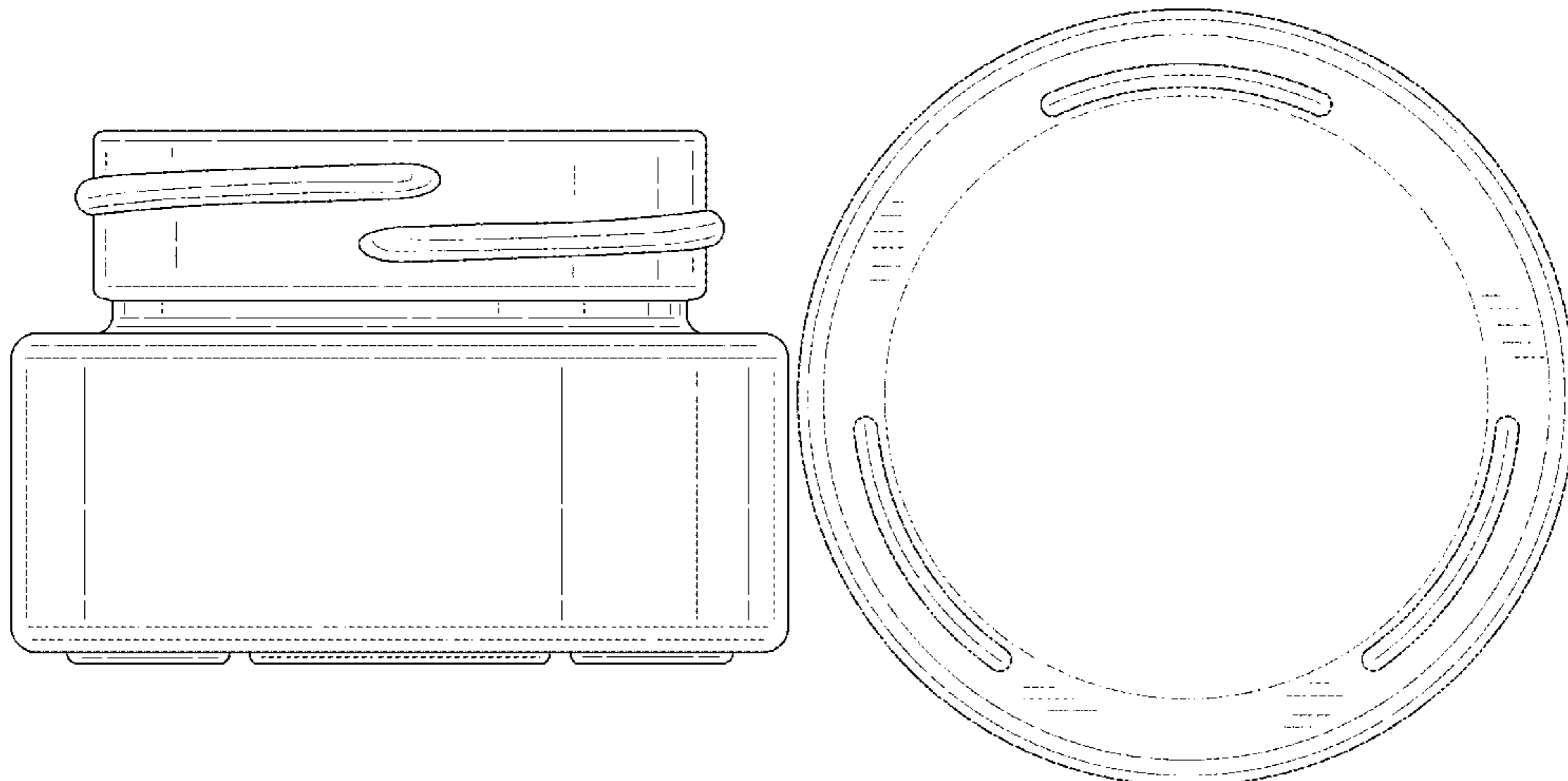
(57) **CLAIM**

The ornamental design for a jar, as shown and described.

**DESCRIPTION**

FIG. 1 is a perspective of a jar;  
FIG. 2 is a front view of the jar in FIG. 1;  
FIG. 3 is a back view of the jar in FIG. 1;  
FIG. 4 is a right side view of the jar in FIG. 1;  
FIG. 5 is a left side view of the jar in FIG. 1;  
FIG. 6 is a top view of the jar in FIG. 1;  
FIG. 7 is a bottom view of the jar in FIG. 1;  
FIG. 8 is a perspective of a jar;  
FIG. 9 is a front view of the jar in FIG. 8;  
FIG. 10 is a back view of the jar in FIG. 8;  
FIG. 11 is a right side view of the jar in FIG. 8;  
FIG. 12 is a left side view of the jar in FIG. 8;  
FIG. 13 is a top view of the jar in FIG. 8; and,  
FIG. 14 is a bottom view of the jar in FIG. 8.  
The figures illustrate a jar. The nature and environmental use of the claimed design is a jar for holding health or beauty products.  
The broken lines in the drawings illustrate the portions of the jar that form no part of the claimed design.

**1 Claim, 14 Drawing Sheets**



(56)

**References Cited**

U.S. PATENT DOCUMENTS

D879,613 S \* 3/2020 Lehaneur ..... D9/500  
 D918,040 S \* 5/2021 Blomberg ..... D9/504  
 2015/0298866 A1\* 10/2015 Hagen ..... B65D 43/0225  
 220/288

FOREIGN PATENT DOCUMENTS

EP 007689419-0001 2/2020  
 EP 007689419-0002 2/2020

OTHER PUBLICATIONS

Round Base Pet Designer Jar Child Resistant—Black. Catalogue [online]. ebottles.com, 2019 [retrieved on Aug. 13, 2019]. Retrieved from the Internet: <URL: [https://www.ebottles.com/showbottles-bottle-1750-kw-ROUND\\_BASE\\_PET\\_DESIGNER\\_JAR\\_CHILD\\_RESISTANT\\_BLACK.htm](https://www.ebottles.com/showbottles-bottle-1750-kw-ROUND_BASE_PET_DESIGNER_JAR_CHILD_RESISTANT_BLACK.htm)>.

Round Base Pet Designer Jar Child Resistant—Clear. Catalogue [online]. ebottles.com, 2019 [retrieved on Aug. 13, 2019]. Retrieved from the Internet: <URL: [https://www.ebottles.com/showbottles-bottle-1752-kw-ROUND\\_BASE\\_PET\\_DESIGNER\\_JAR\\_CHILD\\_RESISTANT\\_CLEAR.htm](https://www.ebottles.com/showbottles-bottle-1752-kw-ROUND_BASE_PET_DESIGNER_JAR_CHILD_RESISTANT_CLEAR.htm)>.

1 Gram Double Shell Jars (Patent Pending)—White. Catalogue [online]. ebottles.com, 2019 [retrieved on Aug. 13, 2019]. Retrieved from the Internet: <URL: [https://www.ebottles.com/showbottles-bottle-1781-kw-1\\_Gram\\_Double\\_Shell\\_Jars\\_\(Patent\\_Pending\)\\_WHITE.htm](https://www.ebottles.com/showbottles-bottle-1781-kw-1_Gram_Double_Shell_Jars_(Patent_Pending)_WHITE.htm)>.

3 oz Child Resistant Glass Jar. Catalogue [online]. greenrushpackaging, 2019 [retrieved on Aug. 13, 2019]. Retrieved from the Internet: <URL: <https://greenrushpackaging.com/shop/child-resistant-3oz-clear/>>.

4 oz Child Resistant Black Glass Jar. Catalogue [online]. greenrushpackaging, 2019 [retrieved on Aug. 13, 2019]. Retrieved from the Internet: <URL: <https://greenrushpackaging.com/shop/child-resistant-4oz-black/>>.

6 ml Glass No Neck Concentrate Container Clear Cap. Catalogue [online]. greenrushpackaging, 2019 [retrieved on Aug. 13, 2019]. Retrieved from the Internet: <URL: <https://greenrushpackaging.com/shop/6ml-glass-no-neck-concentrate-container-clear-cap/>>.

Glass Jars. Catalogue [online]. green tech packaging, 2019 [retrieved on Aug. 13, 2019]. Retrieved from the Internet: <URL: <https://greentechpackaging.com/collections/glass-containers>>.

5 mL Glass Concentrate Container with Black Cap. Catalogue [online]. HGR Packaging, 2019 [retrieved on Aug. 13, 2019]. Retrieved from the Internet: <URL: <https://hgrpackaging.com/collections/glass-concentrate-containers/products/glass-concentrate-container-5ml-black-cap-250ct>>.

6 mL Glass Concentrate Container with Black Cap. Catalogue [online]. HGR Packaging, 2019 [retrieved on Aug. 13, 2019]. Retrieved from the Internet: <URL: <https://hgrpackaging.com/collections/glass-concentrate-containers/products/glass-concentrate-container-6-ml-144-count>>.

4 oz Arched Child Resistant Glass Jar. Catalogue [online]. HGR Packaging, 2019 [retrieved on Aug. 13, 2019]. Retrieved from the Internet: <URL: <https://hgrpackaging.com/collections/glass-jars/products/4-oz-arched-child-resistant-glass-jar-100ct>>.

4 oz CR Cap Black Glass Jar. Catalogue [online]. HGR Packaging, 2019 [retrieved on Aug. 13, 2019]. Retrieved from the Internet: <URL: <https://hgrpackaging.com/collections/glass-jars/products/4oz-cr-cap-black-glass-jars-100ct>>.

6 mL Glass No Neck Concentrate Container White Silicone Cap. Catalogue [online]. Kush Supply Co. Inc., 2019 [retrieved on Aug. 13, 2019]. Retrieved from the Internet: <URL: <https://www.kushsupplyco.com/6ml-Glass-No-Neck-Concentrate-Container-White-Silicone-Cap-1008-qty>>.

5 mL Black Glass Concentrate Container Black Cap. Catalogue [online]. Kush Supply Co. Inc., 2019 [retrieved on Aug. 13, 2019]. Retrieved from the Internet: <URL: <https://www.kushsupplyco.com/5ML-Black-Glass-Concentrate-Screw-Top-Container-300-ct>>.

18oz Glass Screw Cap Jars. Catalogue [online]. Marijuana Packaging, 2019 [retrieved on Aug. 13, 2019]. Retrieved from the Internet: <URL: <https://marijuanapackaging.com/products/glass-vials-18oz-24-count>>.

3oz CR Black Flush Cap Jars—Glossy. Catalogue [online]. Marijuana Packaging, 2019 [retrieved on Aug. 13, 2019]. Retrieved from the Internet: <URL: <https://marijuanapackaging.com/products/3oz-cr-black-flush-cap-jars-glossy-150-count>>.

Premium Glass Jars. Catalogue [online]. QUBE, 2019 [retrieved on Aug. 13, 2019]. Retrieved from the Internet: <URL: <https://www.thequbejar.com/shop-all>>.

\* cited by examiner

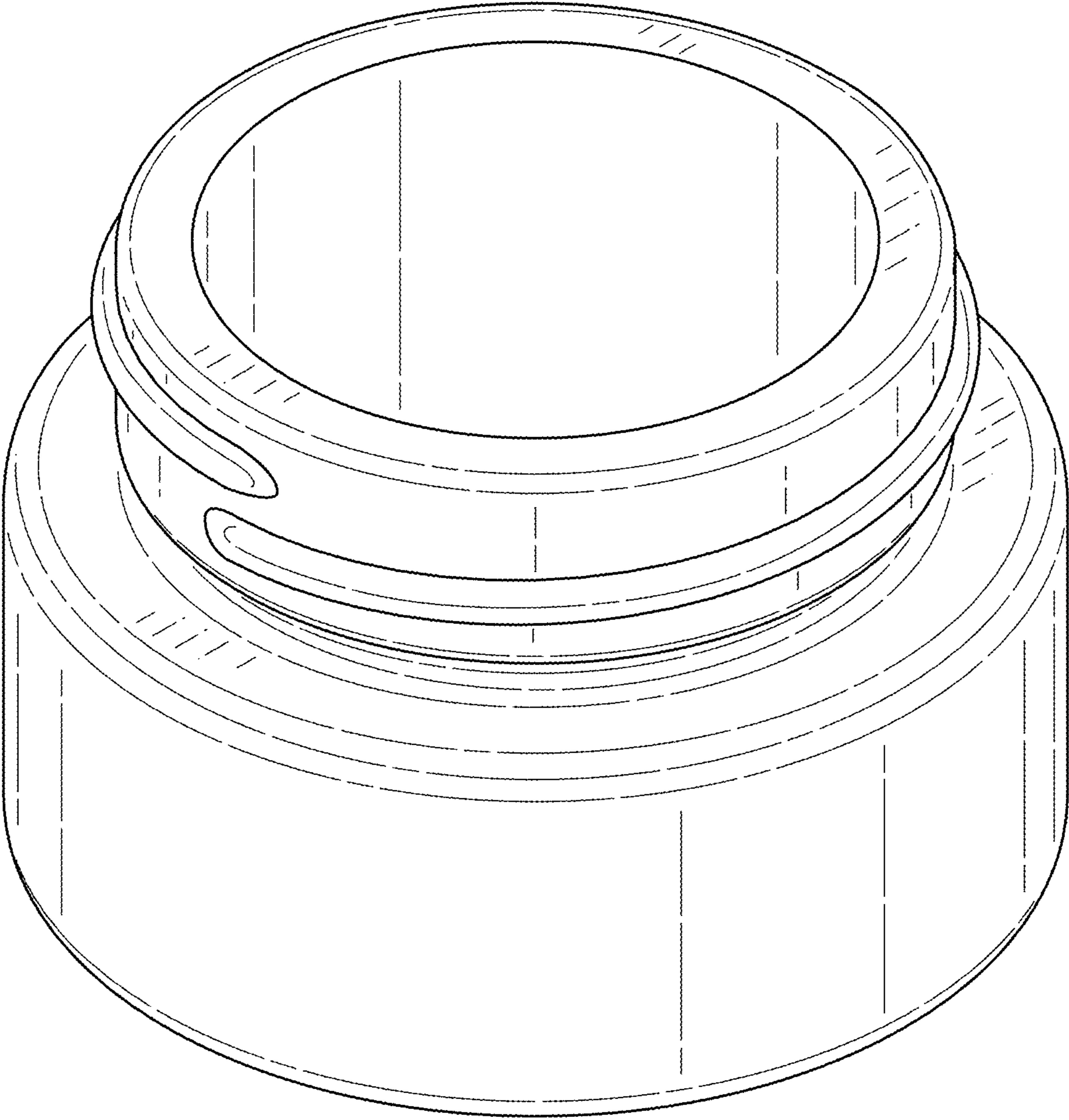


FIG.1

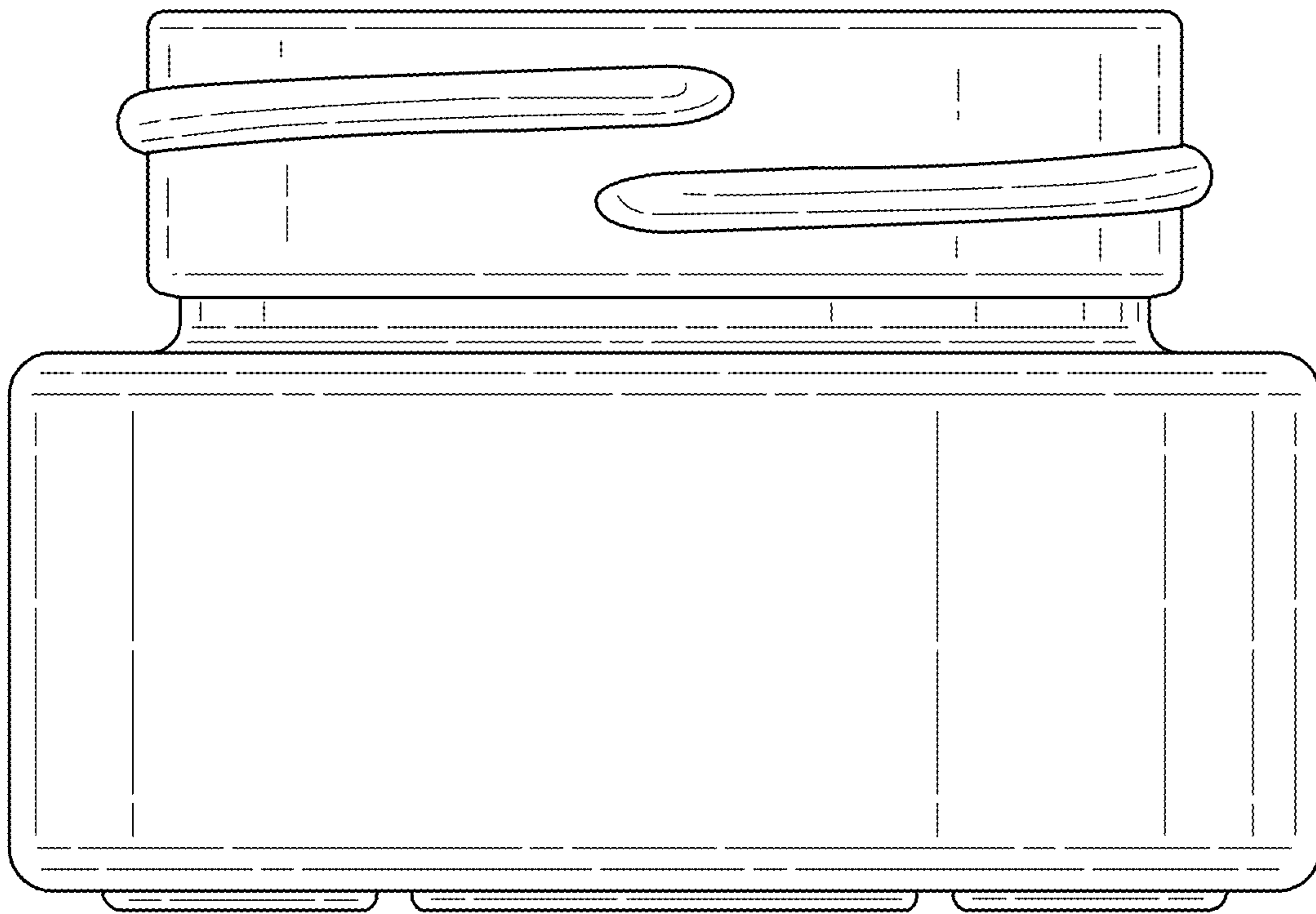


FIG.2

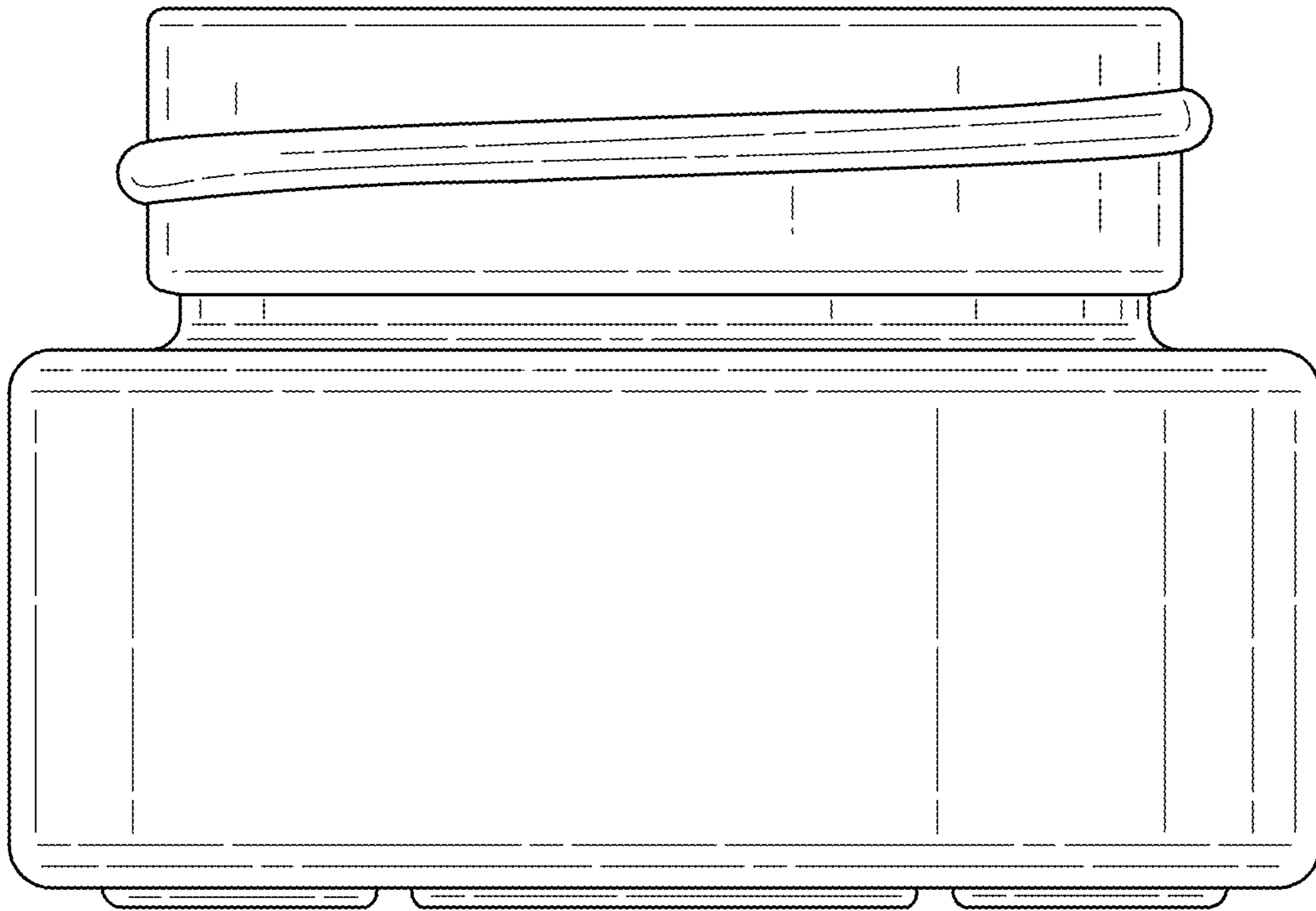


FIG. 3

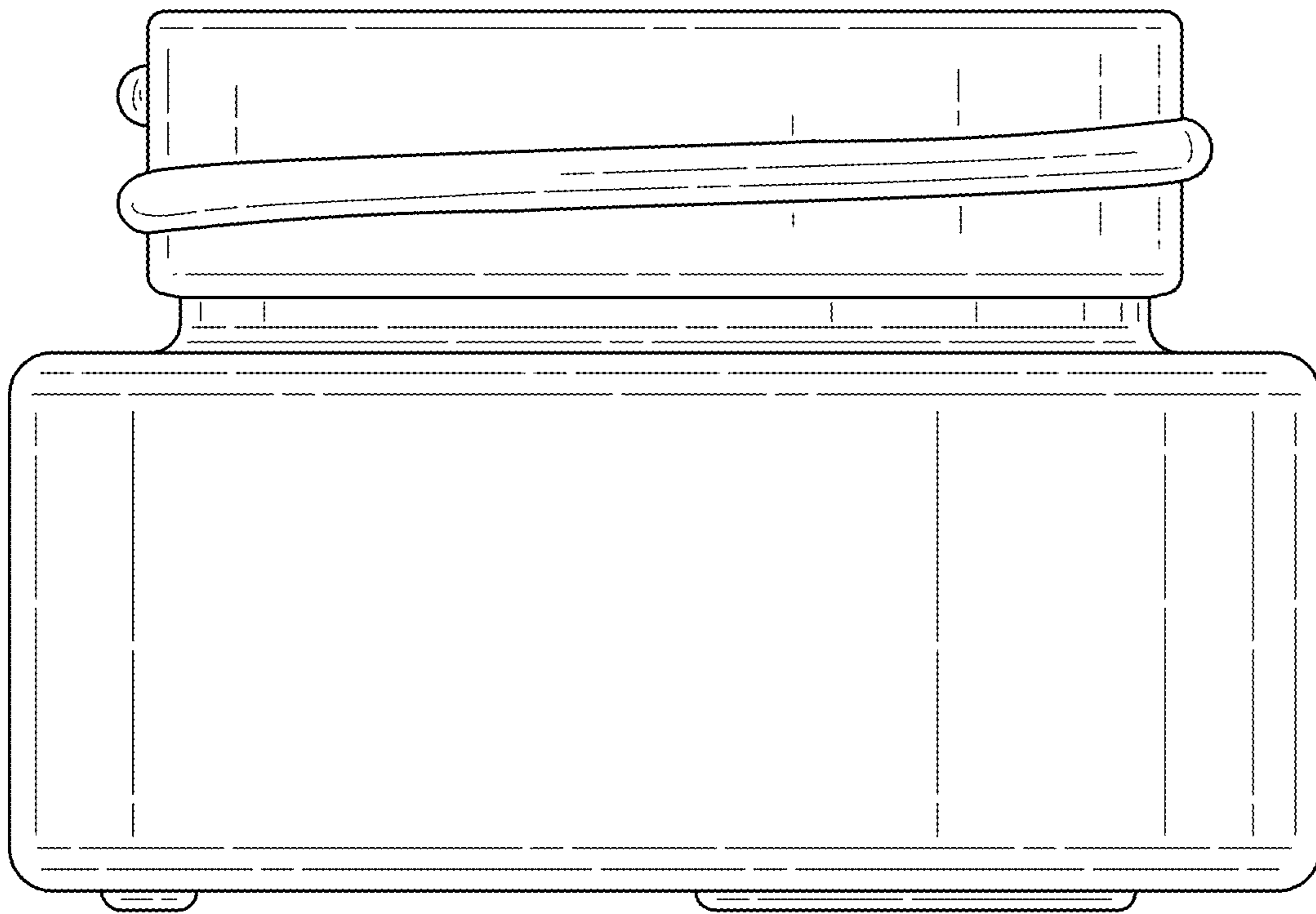


FIG.4

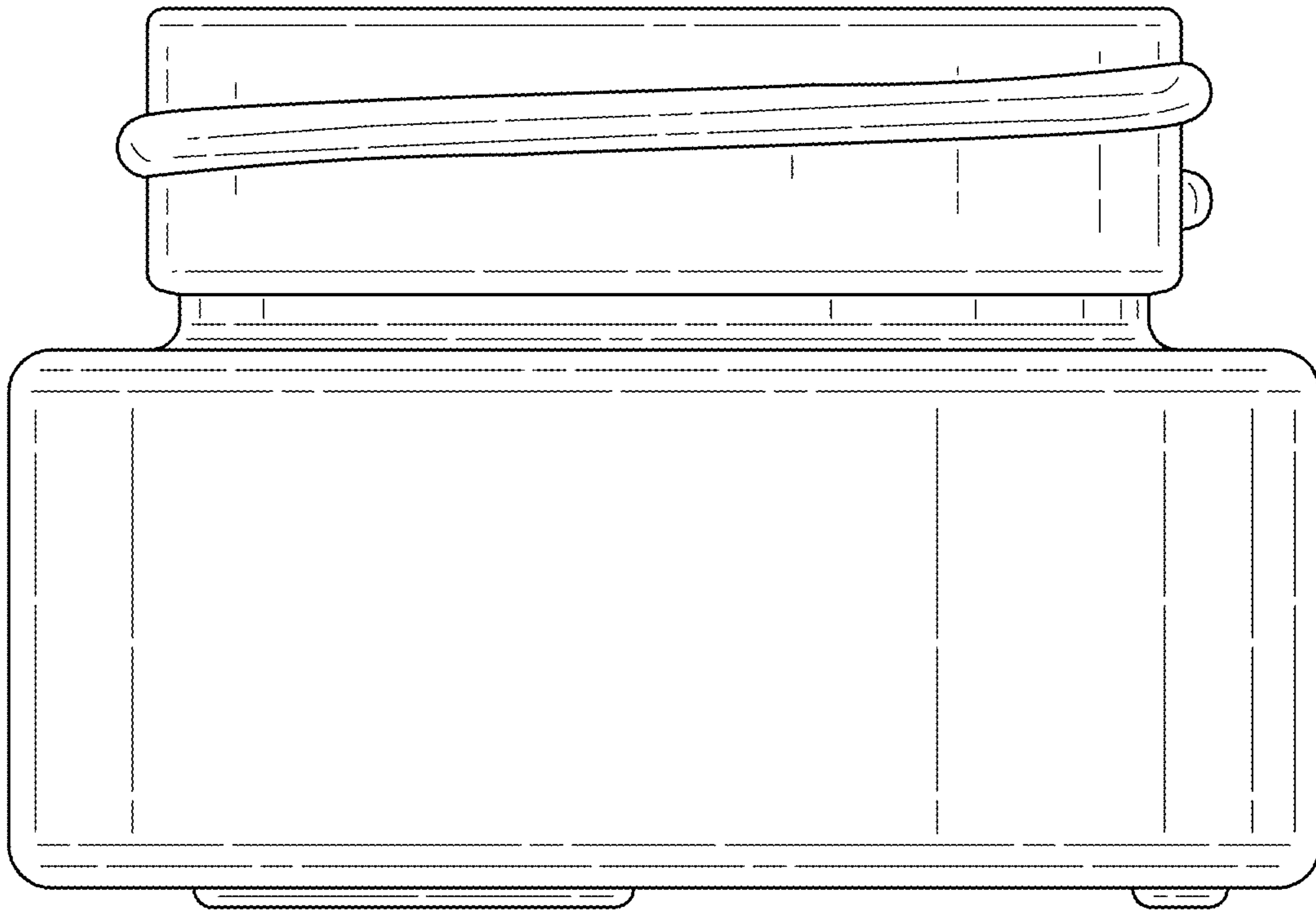


FIG.5

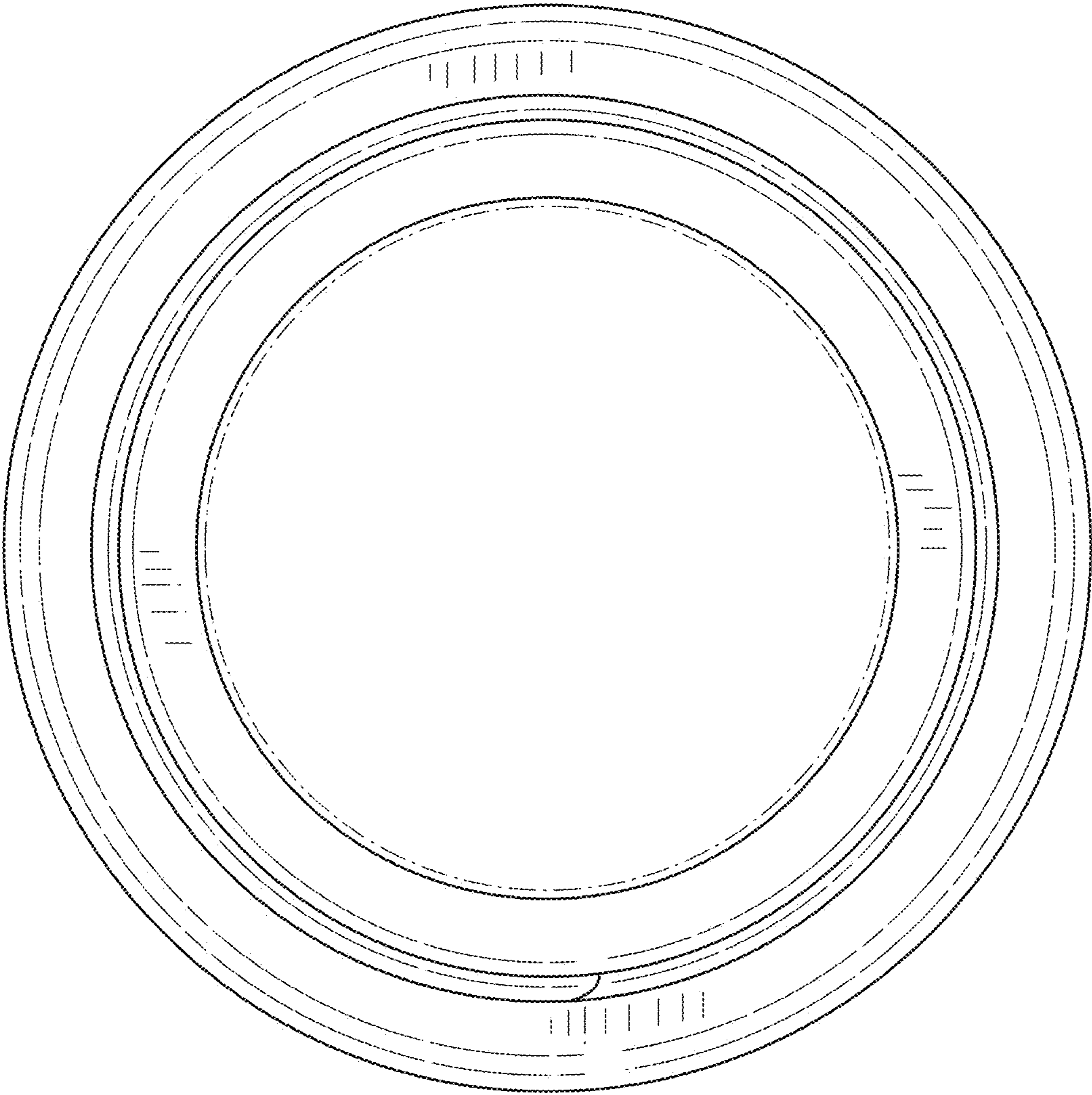


FIG.6



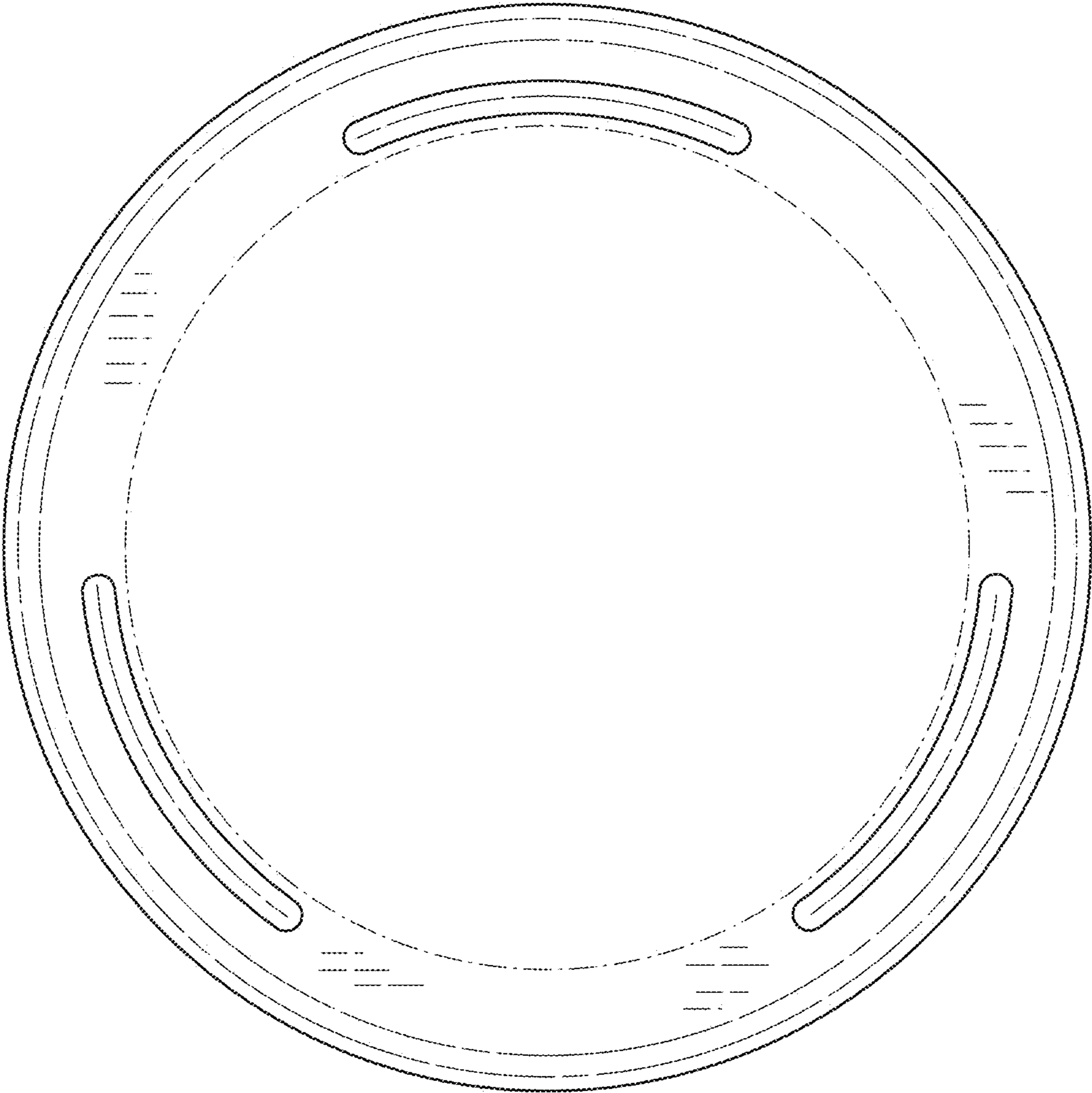


FIG.7

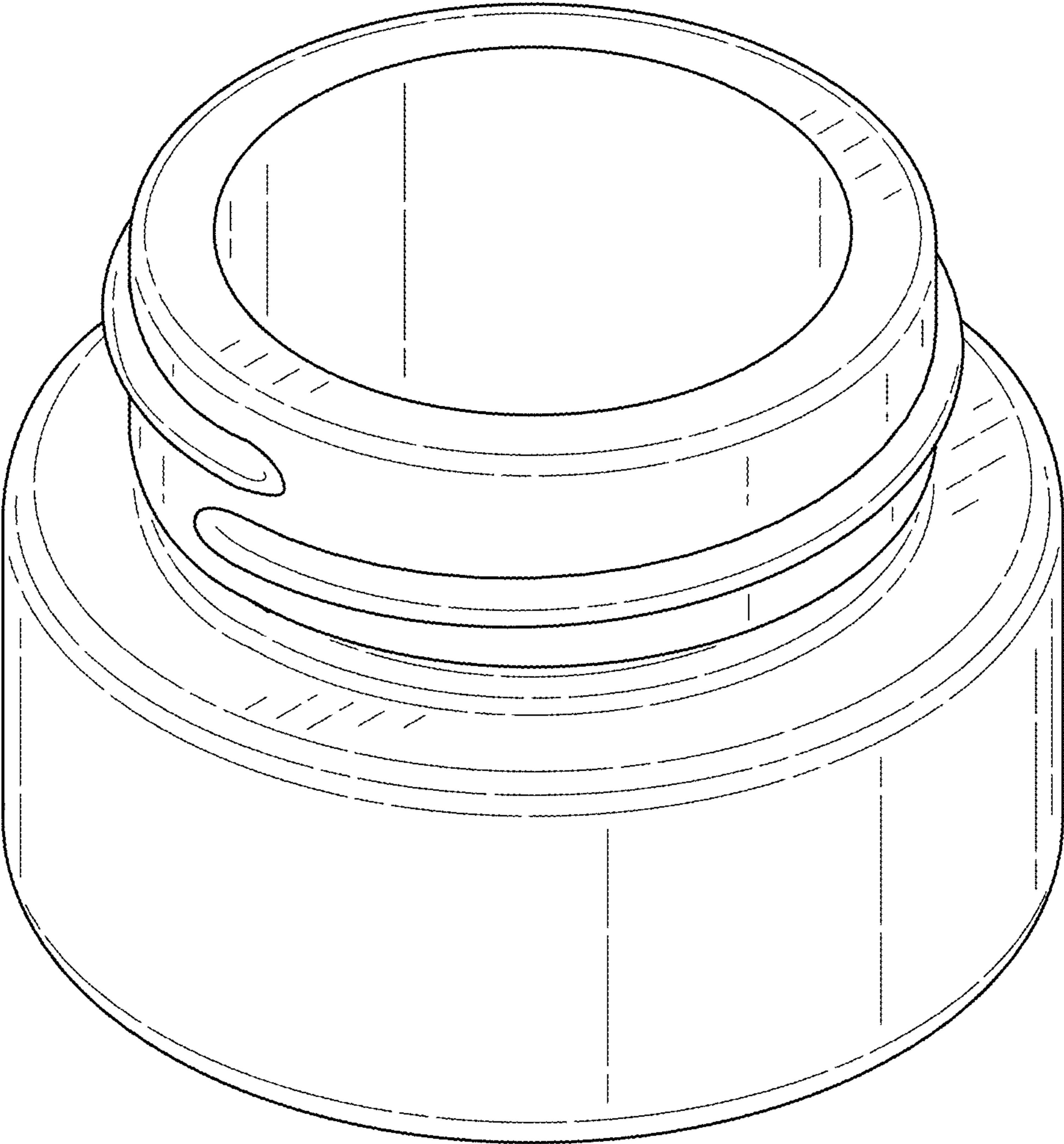


FIG.8

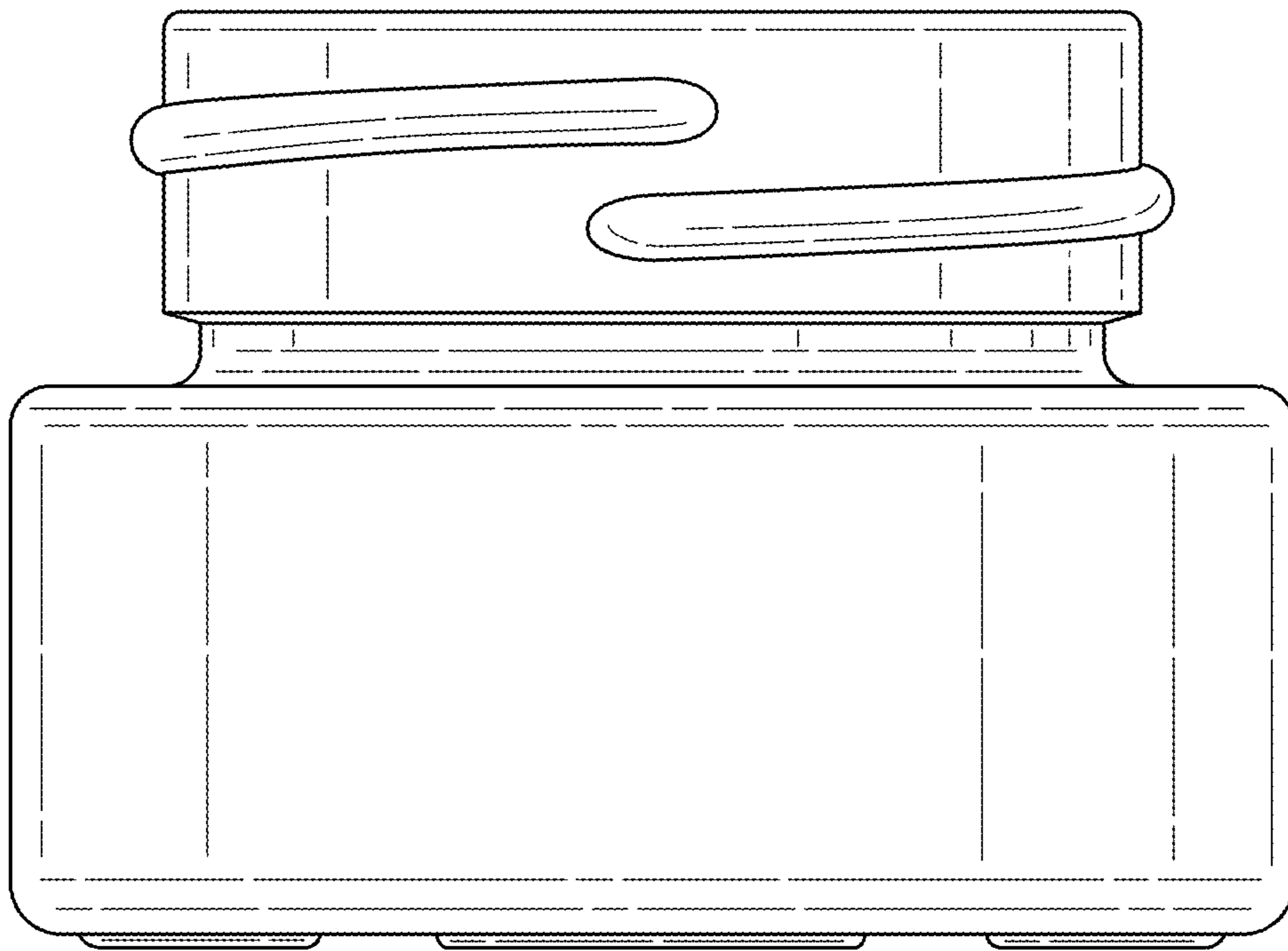


FIG.9

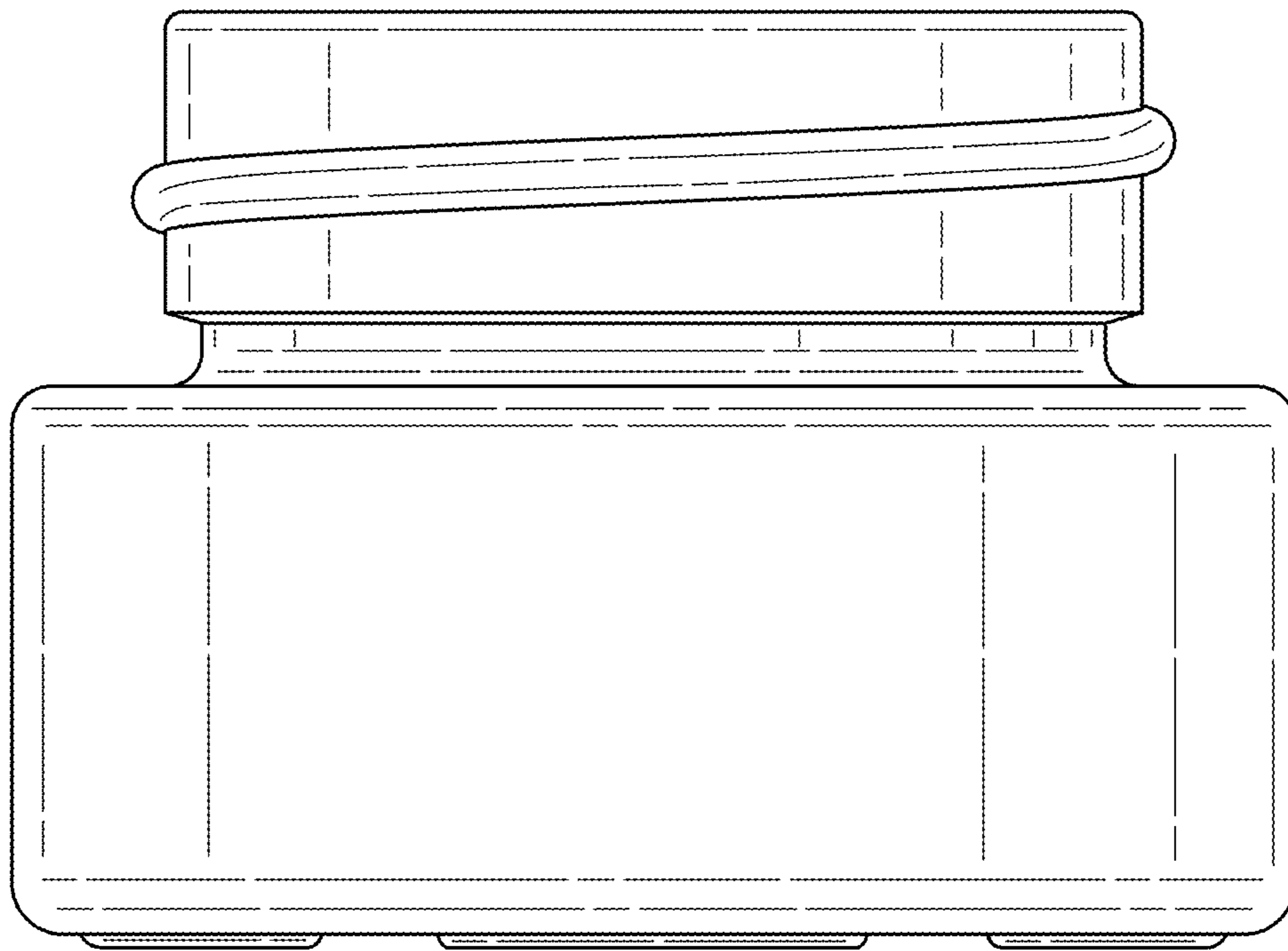


FIG.10

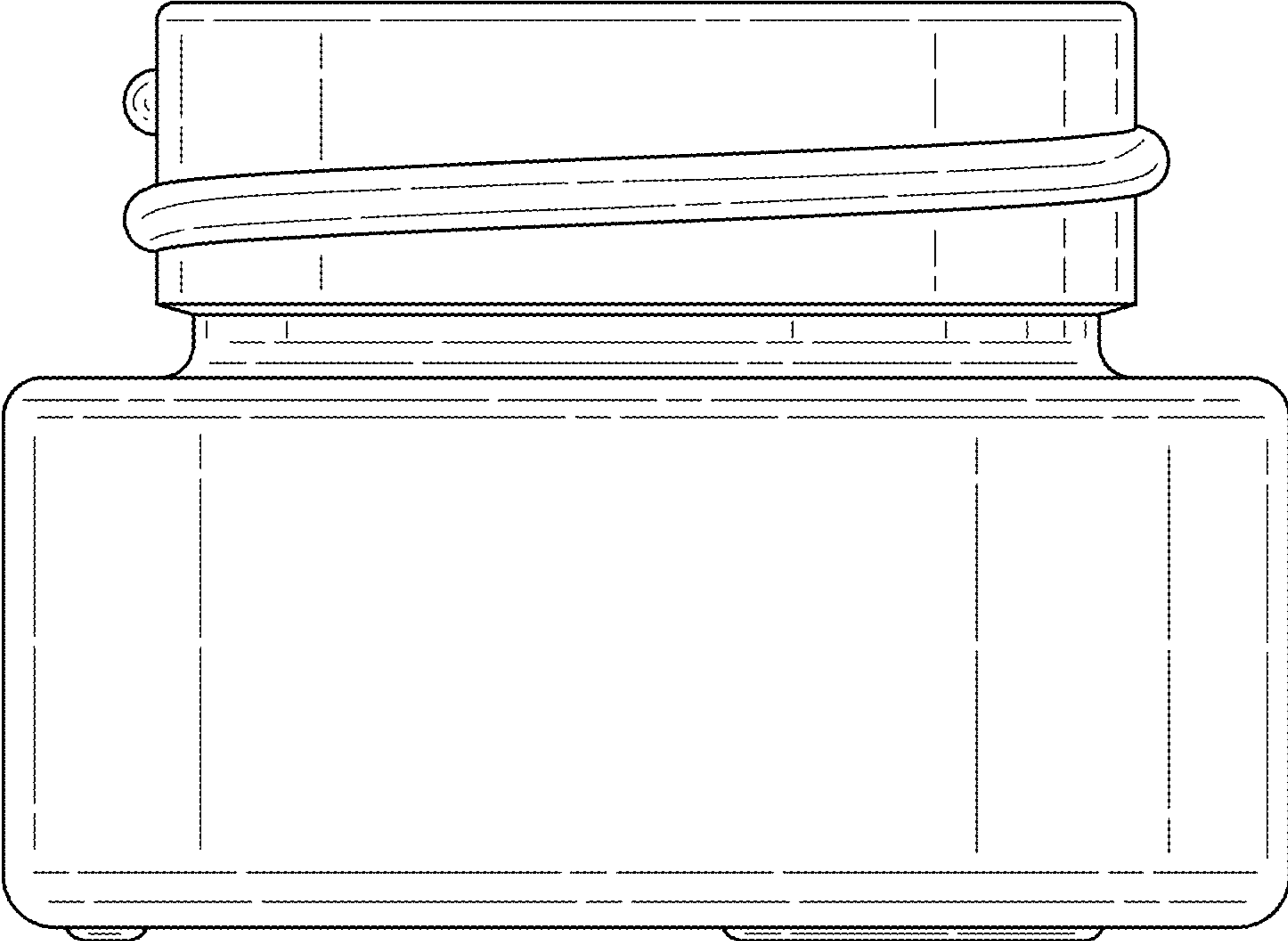


FIG.11

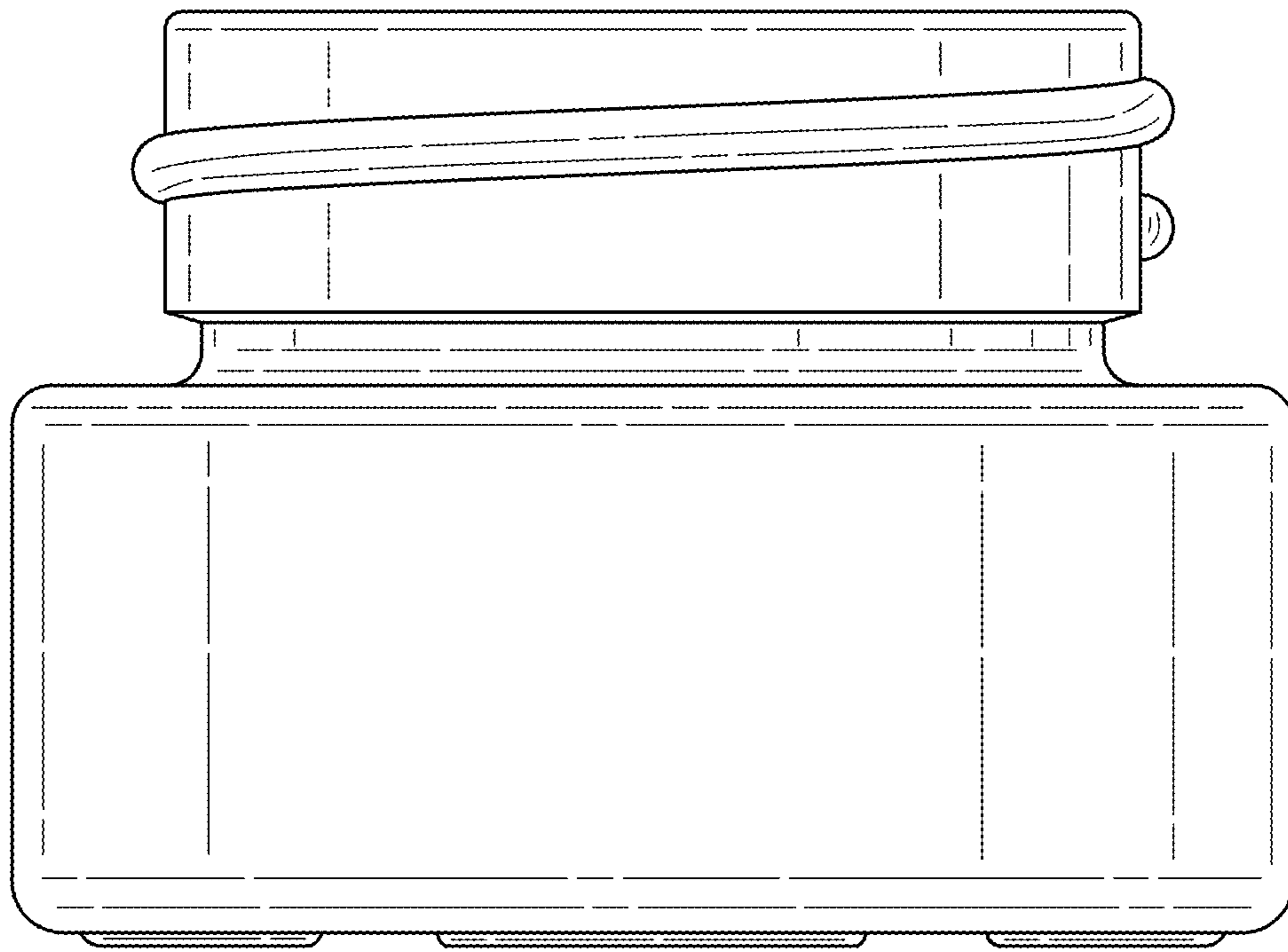


FIG.12

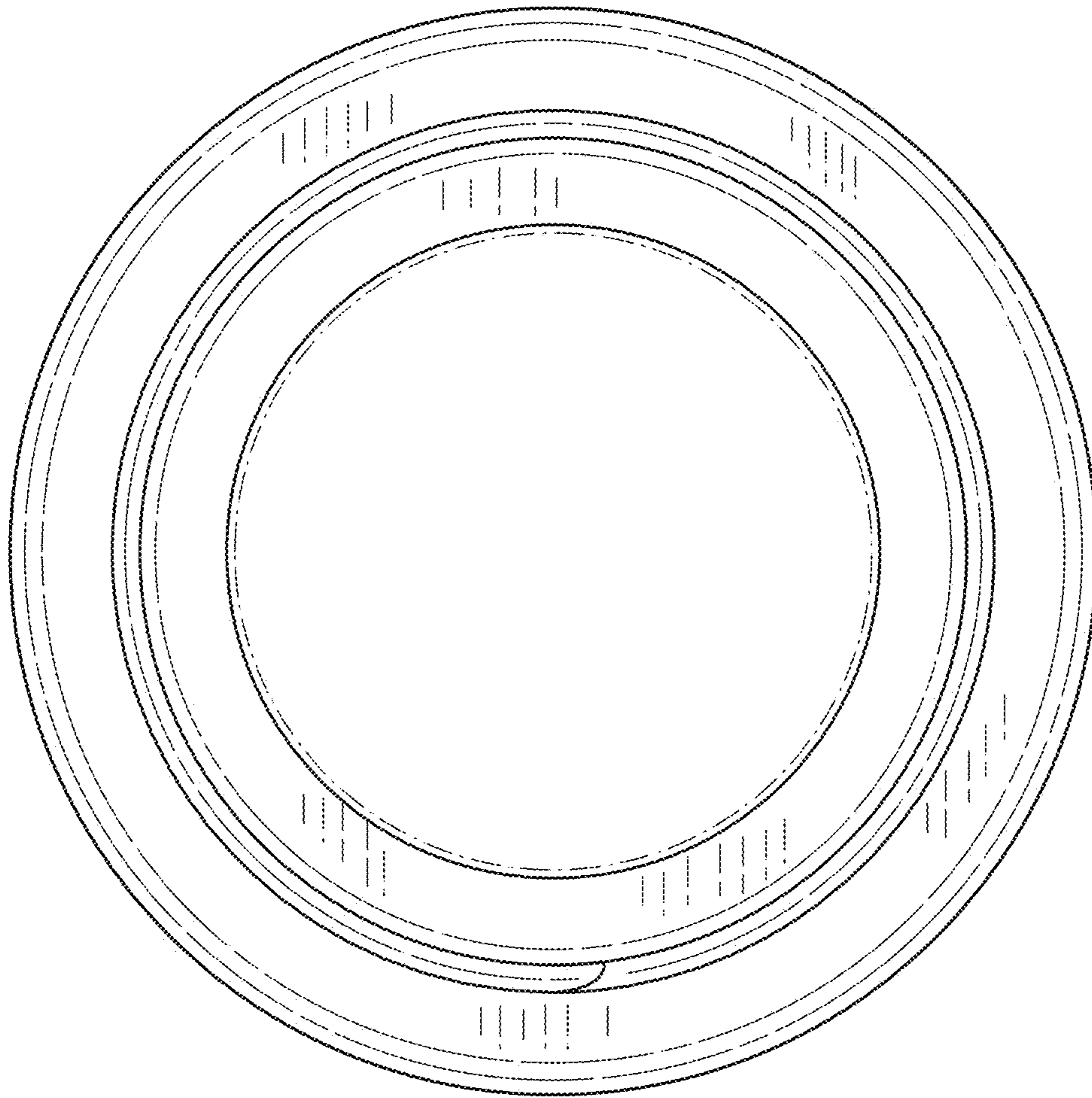


FIG. 13

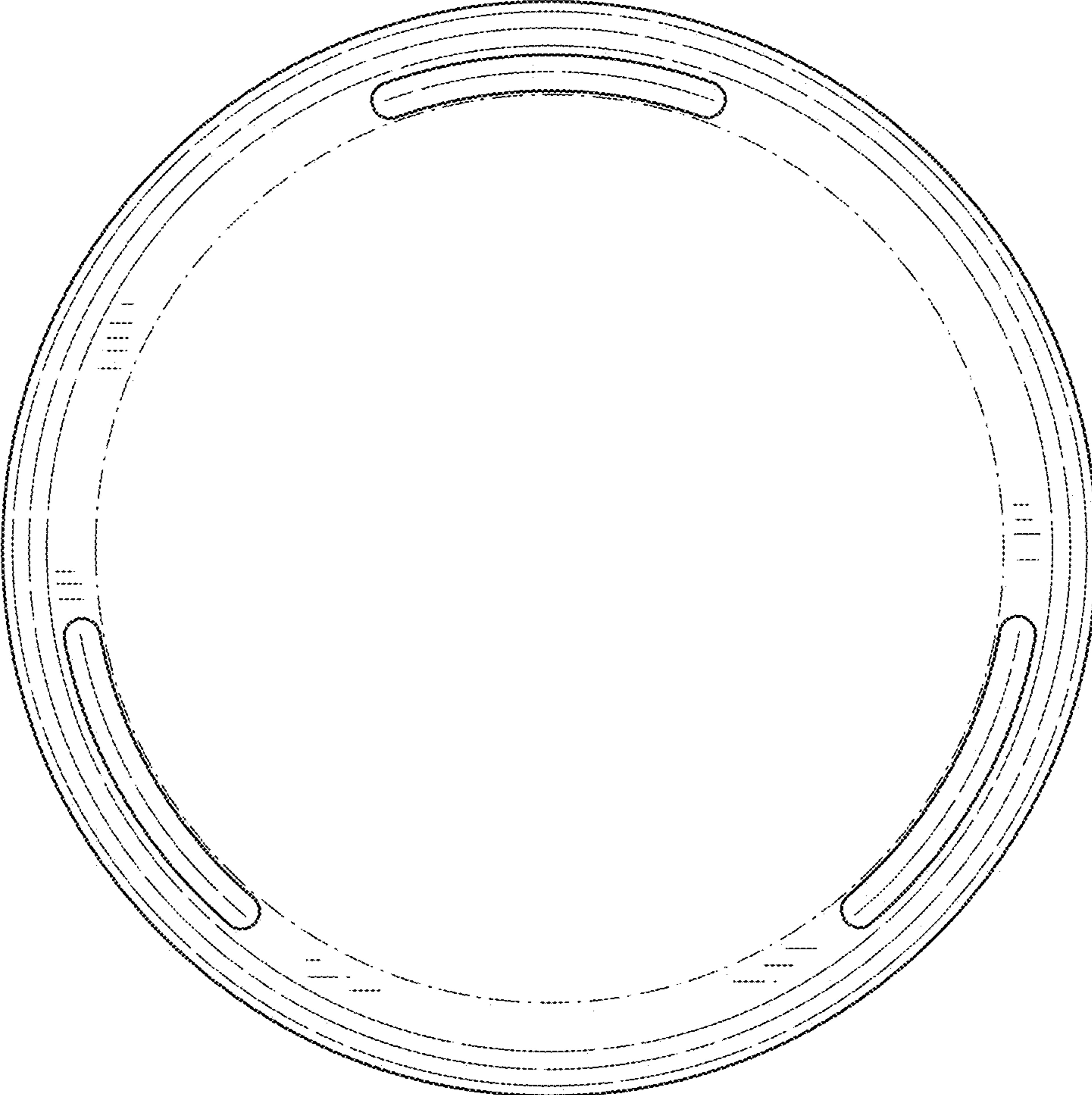


FIG.14