



US00D956562S

(12) **United States Design Patent** (10) **Patent No.:** **US D956,562 S**  
**Zhang et al.** (45) **Date of Patent:** **\*\* Jul. 5, 2022**

(54) **LID FOR PACKAGING CONTAINER**

(71) Applicant: **Heilongjiang Feihe Dairy Co., Ltd.**,  
Beijing (CN)

(72) Inventors: **Xin Zhang**, Beijing (CN); **Jing Wei**,  
Beijing (CN); **Shiping Zou**, Beijing  
(CN); **Yanjie Zhang**, Beijing (CN);  
**Yang Jiao**, Beijing (CN); **Wei An**,  
Beijing (CN)

(73) Assignee: **HEILONGJIANG FEIHE DAIRY  
CO., LTD.**, Heilongjiang (CN)

(\*) Notice: This patent is subject to a terminal dis-  
claimer.

(\*\*) Term: **15 Years**

(21) Appl. No.: **29/799,419**

(22) Filed: **Jul. 14, 2021**

**Related U.S. Application Data**

(63) Continuation of application No. 35/509,295, filed on  
Jan. 22, 2020 (U.S. filing date under 35 U.S.C. 384),  
and having an international filing date of Jan. 22,  
2020.

(51) **LOC (13) Cl.** ..... **09-07**

(52) **U.S. Cl.**  
USPC ..... **D9/454**

(58) **Field of Classification Search**  
USPC ..... D9/416, 434, 436, 438, 454, 711  
CPC ..... B32B 7/06; B32B 7/12; B32B 15/085;  
B32B 15/09; B32B 27/08; B32B 27/30;  
B32B 27/36; B65D 41/20  
See application file for complete search history.

(56) **References Cited**

**U.S. PATENT DOCUMENTS**

3,391,852 A \* 7/1968 Waldrop ..... B65D 17/08  
229/123.2  
D260,136 S \* 8/1981 Revill ..... D9/438

D261,620 S \* 11/1981 Scott ..... D9/438  
D277,828 S \* 3/1985 Schwartzburg ..... D9/454  
D301,690 S \* 6/1989 Mobberley ..... D9/452  
D310,029 S \* 8/1990 Kea ..... D9/435  
D315,307 S \* 3/1991 Kanyer ..... D9/446  
D367,818 S \* 3/1996 Zana ..... D9/454  
D535,877 S \* 1/2007 Tanninen ..... D9/438  
D536,250 S \* 2/2007 Richards ..... D9/438  
D536,251 S \* 2/2007 Richards ..... D9/438  
D536,252 S \* 2/2007 Richards ..... D9/438  
D567,657 S \* 4/2008 Hall ..... D9/438  
D632,563 S \* 2/2011 Sitabkhan ..... D9/435  
D673,807 S \* 1/2013 Grider ..... D7/391  
D673,808 S \* 1/2013 Grider ..... D7/391  
D686,497 S \* 7/2013 Lewis ..... D9/451  
D696,593 S \* 12/2013 Farrow ..... D9/772

(Continued)

*Primary Examiner* — Keli L Hill

(74) *Attorney, Agent, or Firm* — Cantor Colburn LLP

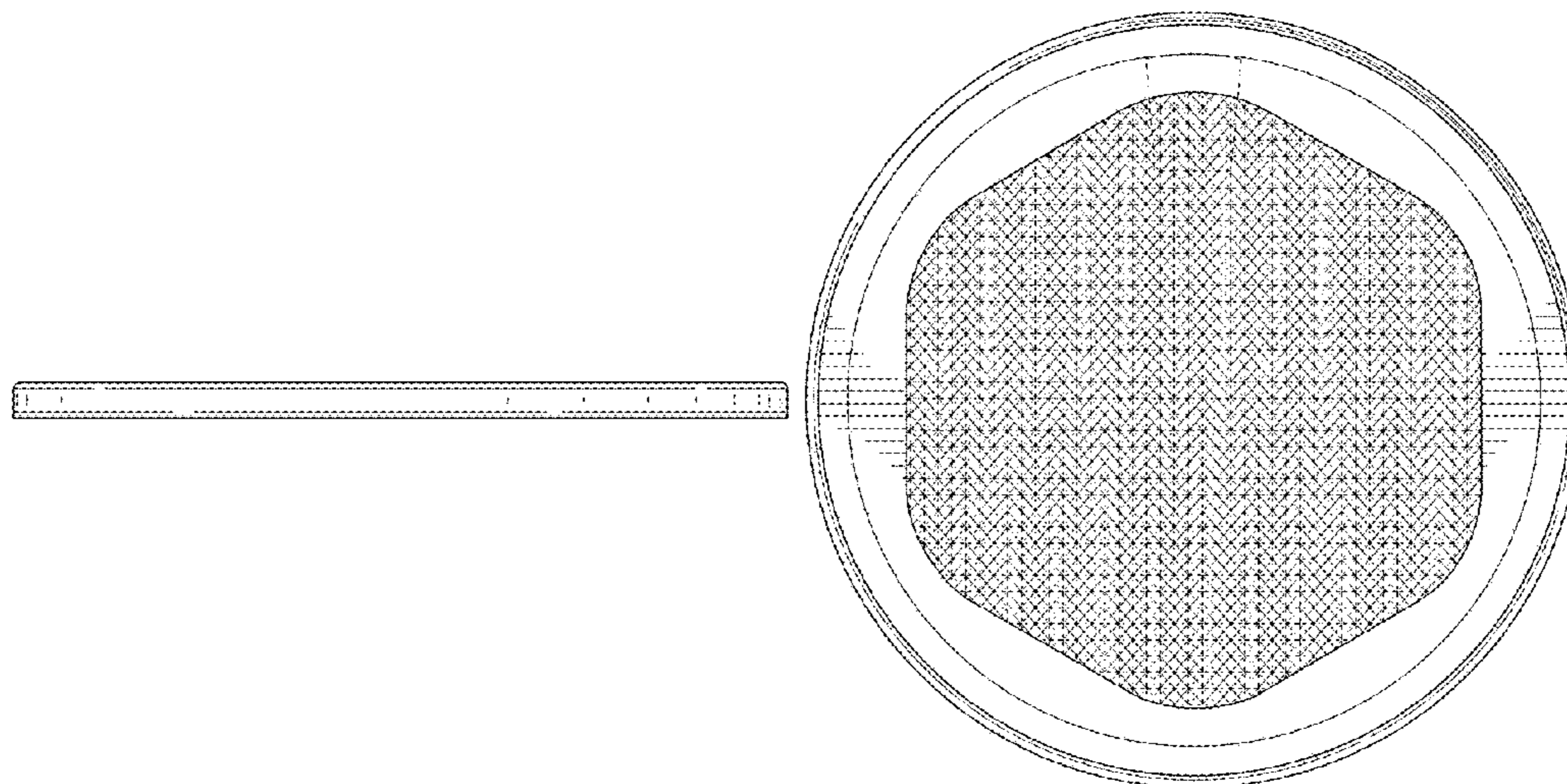
(57) **CLAIM**

We claim, the ornamental design for a lid for packaging  
container, as shown and described.

**DESCRIPTION**

FIG. 1 is a front view of a lid for packaging container,  
showing our new design;  
FIG. 2 is a back view thereof;  
FIG. 3 is a left side view thereof;  
FIG. 4 is a right side view thereof;  
FIG. 5 is a top view thereof; and,  
FIG. 6 is a bottom view thereof.  
The broken lines shown throughout the drawings illustrate  
environment and form no part of the claimed design. In FIG.  
5, all subject matter shown within the solid line rounded  
hexagon shape is disclaimed. In FIG. 6, all subject matter  
shown within the broken line rounded hexagon shape is also  
disclaimed.

**1 Claim, 6 Drawing Sheets**



(56)

**References Cited**

U.S. PATENT DOCUMENTS

D701,121 S \* 3/2014 McGeough ..... D9/438  
D794,456 S \* 8/2017 Rockwell ..... D9/449  
D823,112 S \* 7/2018 Ramsey ..... D9/438  
D828,158 S \* 9/2018 Manis ..... D9/436  
D915,200 S \* 4/2021 Ozturk ..... D9/454  
2005/0247712 A1\* 11/2005 Wallis ..... B32B 7/12  
220/359.2  
2010/0206320 A1\* 8/2010 Hodgson ..... A24F 23/00  
131/366  
2019/0352072 A1\* 11/2019 Kestler ..... B65D 77/28  
2020/0375170 A1\* 12/2020 Santini ..... A01M 1/2055  
2021/0016543 A1\* 1/2021 Smith ..... B32B 27/36

\* cited by examiner



FIG. 1



FIG. 2



FIG. 3

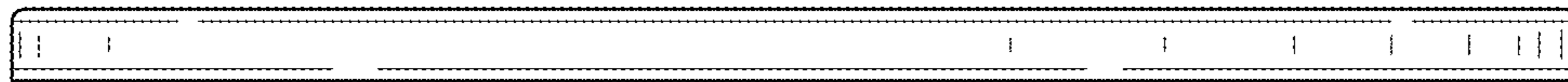


FIG. 4



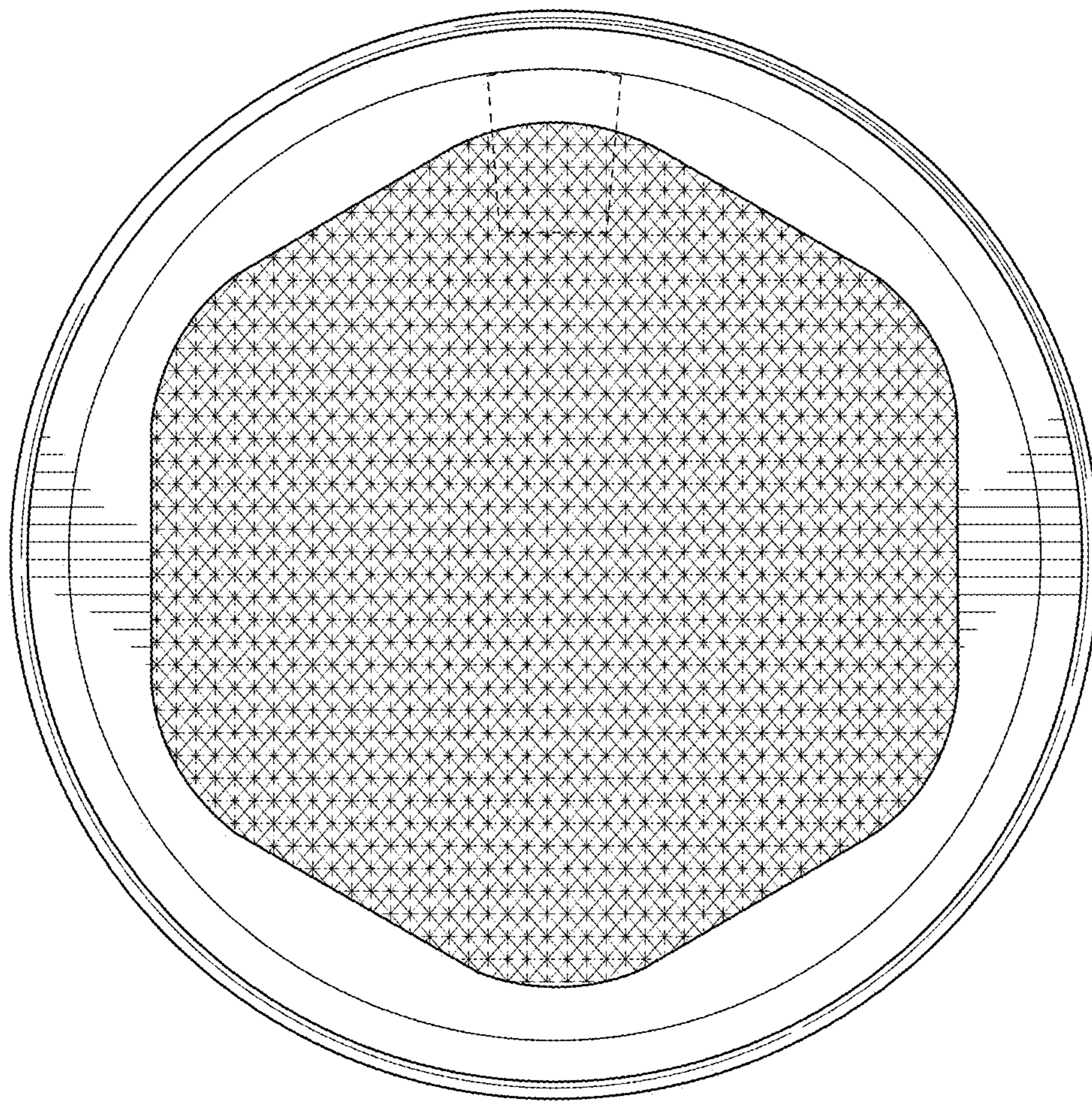


FIG. 5



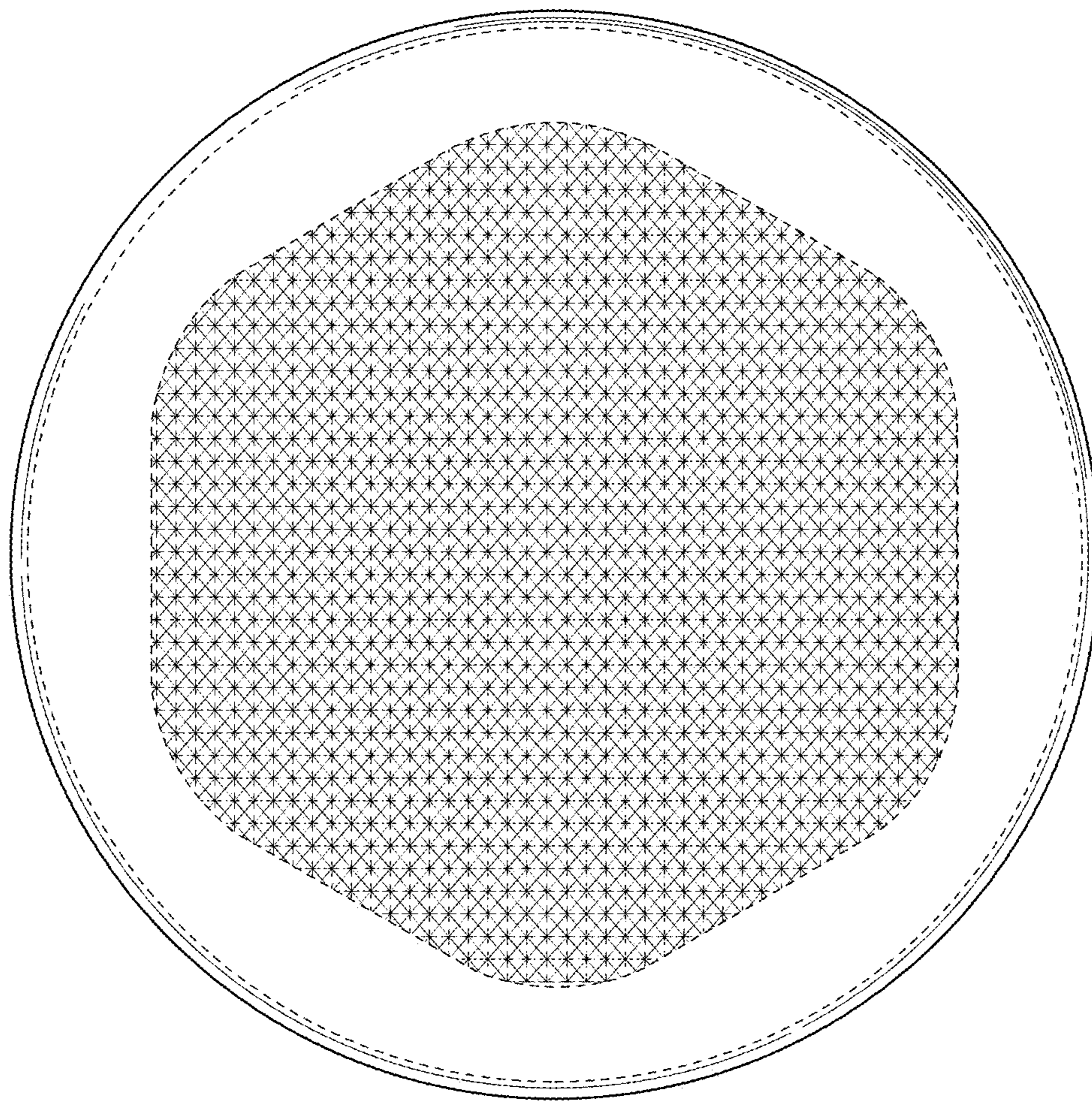


FIG. 6