



US00D956557S

(12) **United States Design Patent**
Dan et al.

(10) **Patent No.:** **US D956,557 S**
(45) **Date of Patent:** **** Jul. 5, 2022**

(54) **SPOUT FOR A POUCH**

(71) Applicant: **Fuji Seal International, Inc.**, Osaka (JP)

(72) Inventors: **Yuma Dan**, Osaka (JP); **Hiroki Kanemitsu**, Osaka (JP)

(73) Assignee: **FUJI SEAL INTERNATIONAL, INC.**, Osaka (JP)

(**) Term: **15 Years**

(21) Appl. No.: **35/511,205**

(22) Filed: **Jul. 21, 2020**

(80) **Hague Agreement Data**

Int. Filing Date: **Jul. 21, 2020**

Int. Reg. No.: **DM/209467**

Int. Reg. Date: **Jul. 21, 2020**

Int. Reg. Pub. Date: **Jan. 22, 2021**

(30) **Foreign Application Priority Data**

Jan. 28, 2020 (JP) 2020-001402

(51) **LOC (13) Cl.** **09-07**

(52) **U.S. Cl.**
USPC **D9/447**

(58) **Field of Classification Search**

USPC D9/417, 435, 440, 447, 449, 450, 695, D9/720; D7/305-311, 313, 392, 395, D7/397-401, 415, 605
CPC .. B65D 77/065; B65D 77/067; B65D 77/068; B65D 47/20; B65D 47/2006; B65D 47/205; B65D 47/2031; B65D 83/0055; B65D 35/14; B65D 35/36; B65D 35/46; B65D 39/04; A47K 5/12; B67D 2001/0087; Y10T 137/7847; Y10T 137/7856; A61M 39/00; B05B 1/20

See application file for complete search history.

(56) **References Cited**

U.S. PATENT DOCUMENTS

D410,845 S *	6/1999	Anderson	D9/440
D476,565 S *	7/2003	Rosen	D9/449
D566,554 S *	4/2008	Braukmann	D9/453
D580,758 S *	11/2008	Lacov	D9/435
D593,870 S *	6/2009	Wehling	D9/708
8,105,226 B2 *	1/2012	Wada	B65D 75/5883 493/379
8,181,823 B2 *	5/2012	Fukuizumi	B65B 61/186 222/107
D760,081 S *	6/2016	Berge	D9/447

(Continued)

Primary Examiner — Michael A. Pratt

(74) *Attorney, Agent, or Firm* — Oliff PLC

(57) **CLAIM**

The ornamental design for a spout for a pouch, as shown and described.

DESCRIPTION

1. Spout for a pouch

1.1 : Perspective

1.2 : Front

1.3 : Right

1.4 : Top

1.5 : Bottom

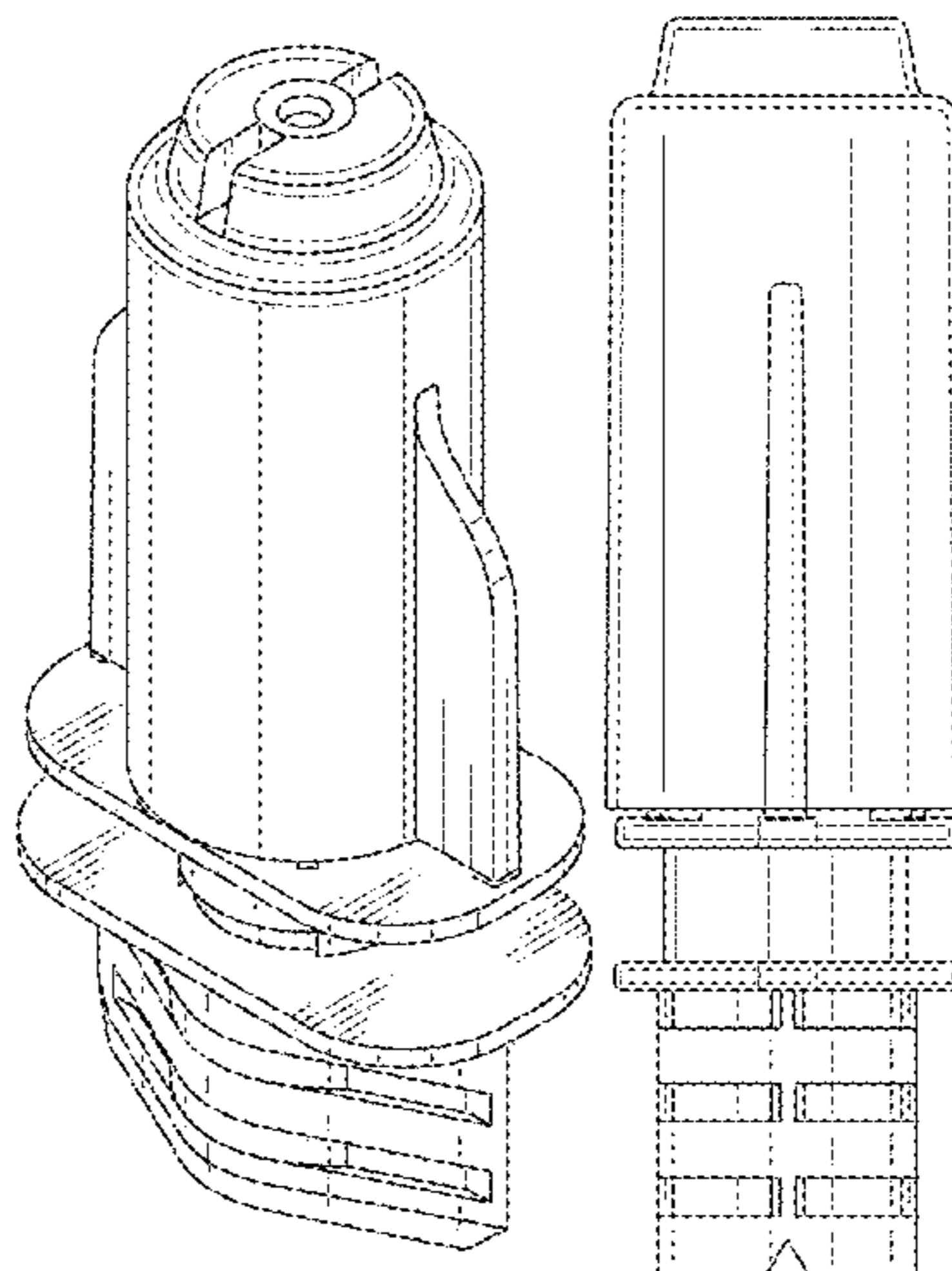
1.6 : Cross sectional

1.7 : Cross sectional

1.8 : Front view of spout as attached to pouch

The portions of the design represented by broken lines in fig. 1.8 are disclaimed; the shadings indicated by thin lines are intended only to represent the three-dimensional shape of the surfaces of the design; the rear and left views of the design are identical to the front and right views (figs. 1.2 and 1.3) of the design, respectively; the spout for a pouch according to the present design comprises a spout body to be securely inserted into the pouch and a spout cap releasably attached to the spout body.

(Continued)



The broken line showing of a pouch is for illustrating environment and forms no part of the claimed design.

1 Claim, 8 Drawing Sheets

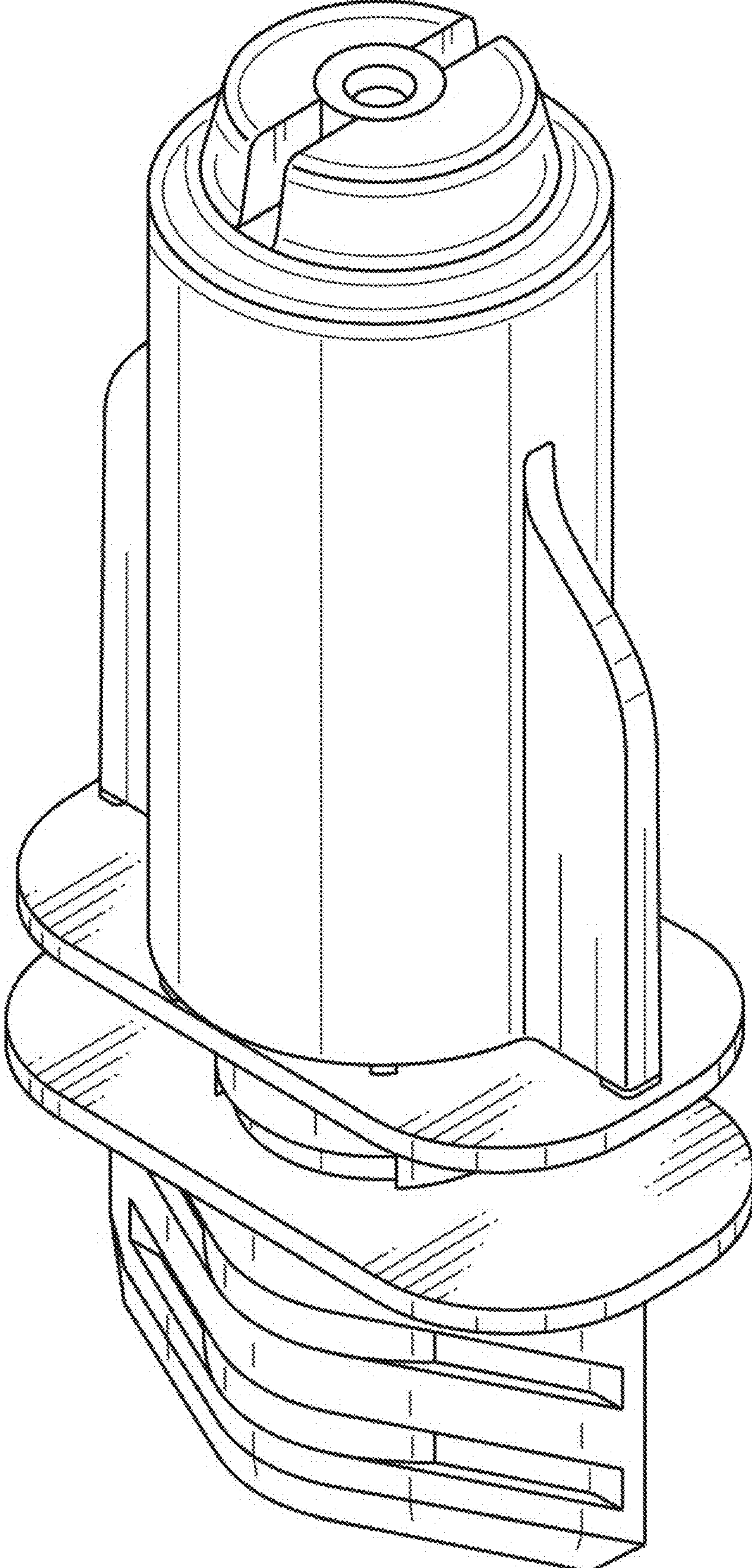
(56) **References Cited**

U.S. PATENT DOCUMENTS

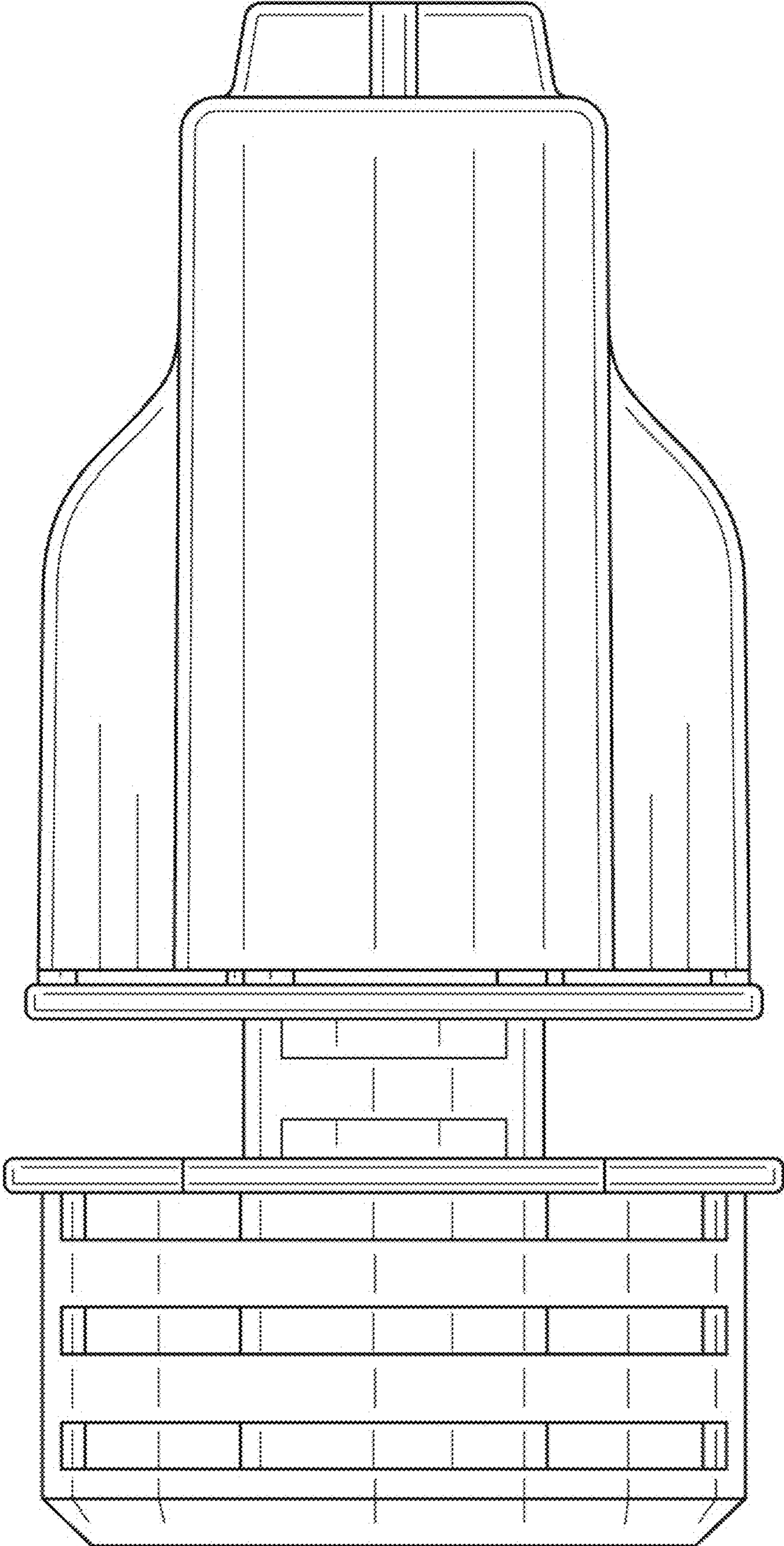
D915,884 S *	4/2021	Mizokami	D9/440
D941,088 S *	1/2022	Reiser	D7/398
2004/0245286 A1 *	12/2004	Lee	B65D 75/5883
			222/83
2011/0132941 A1 *	6/2011	Kim	B65D 75/5883
			222/566
2018/0265259 A1 *	9/2018	Berge	B65D 33/01

* cited by examiner

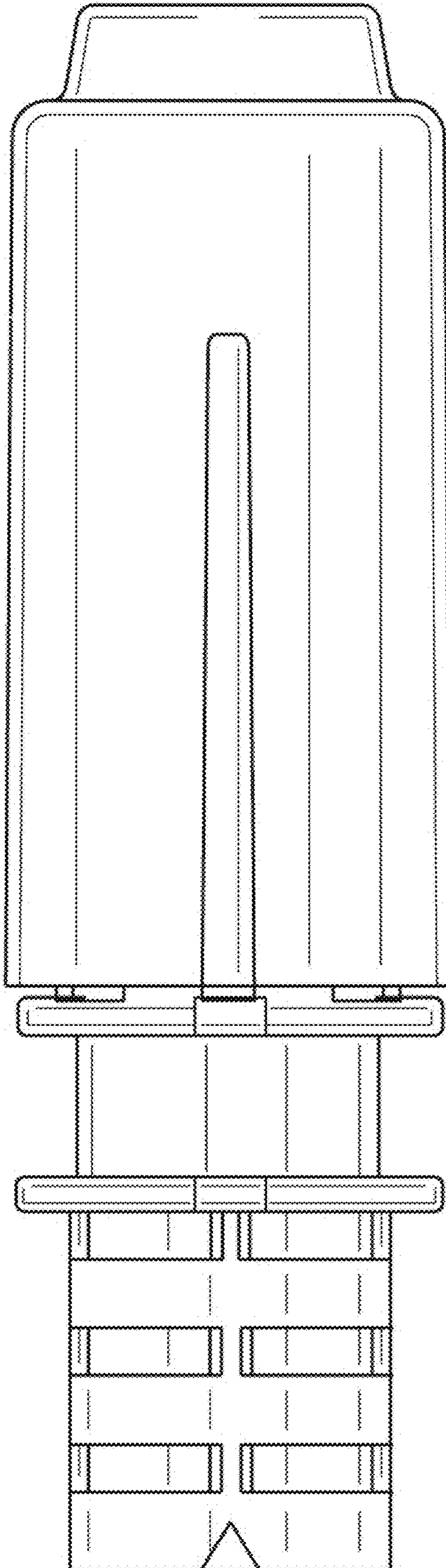
1.1



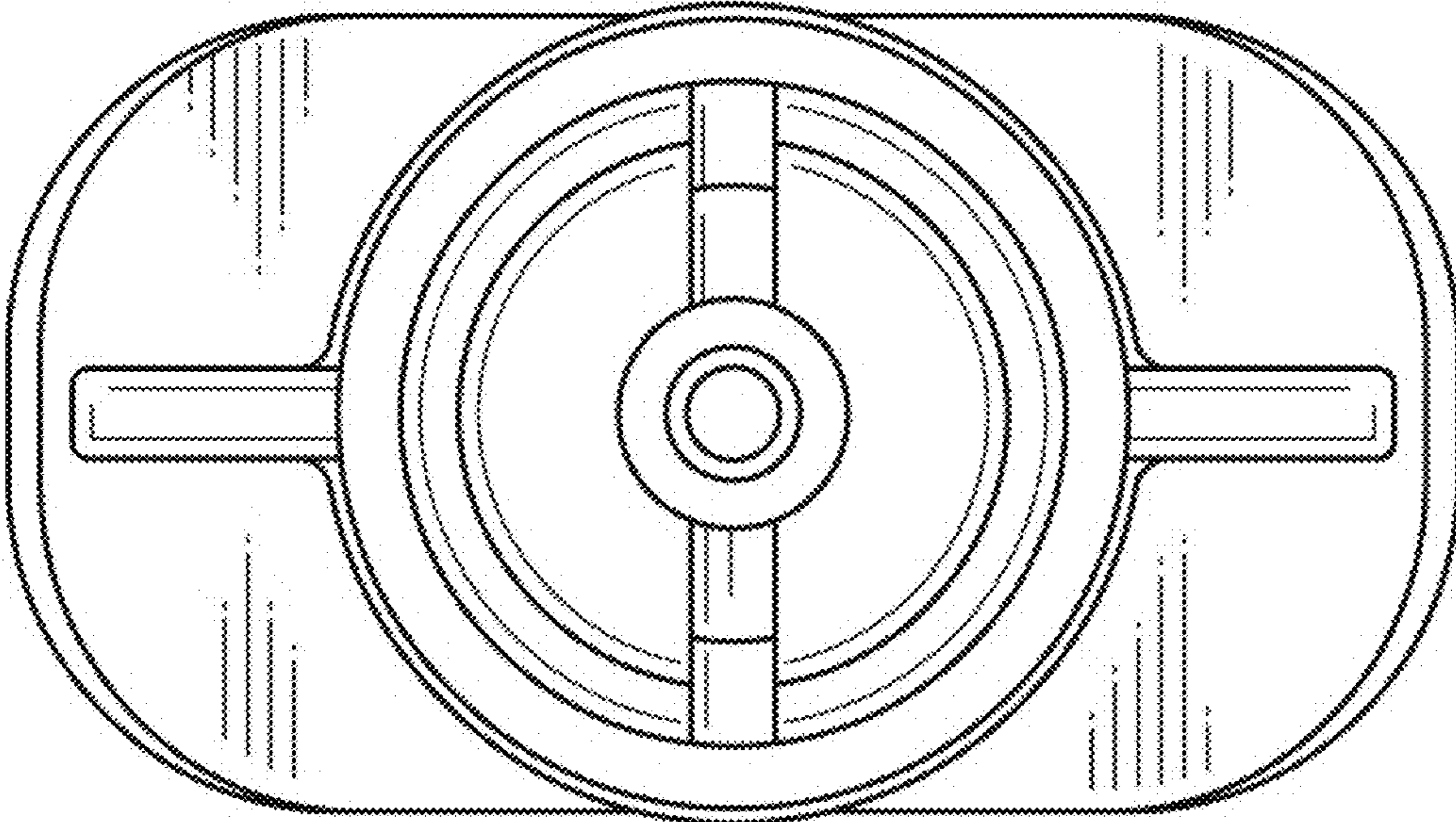
1.2



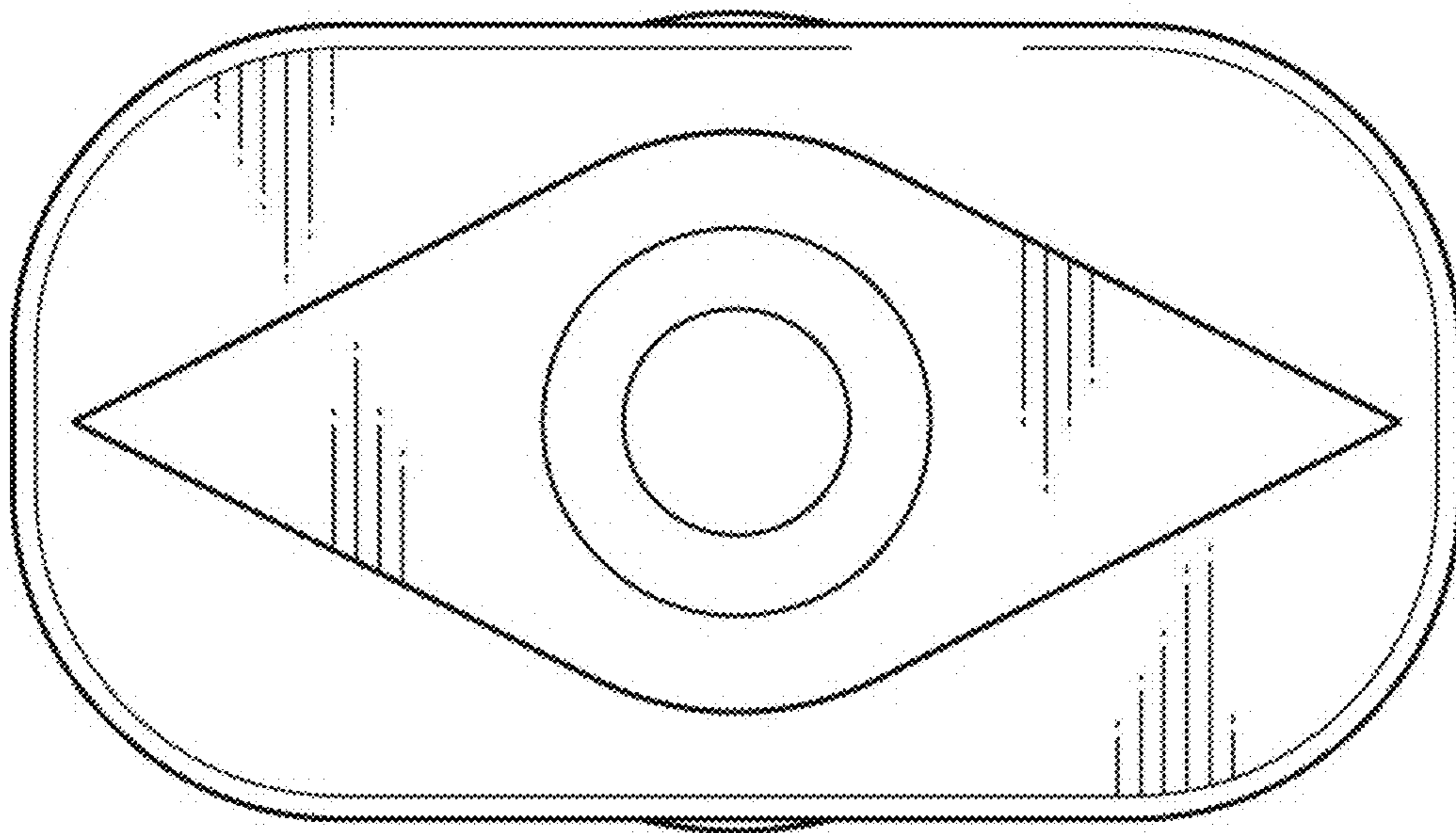
1.3



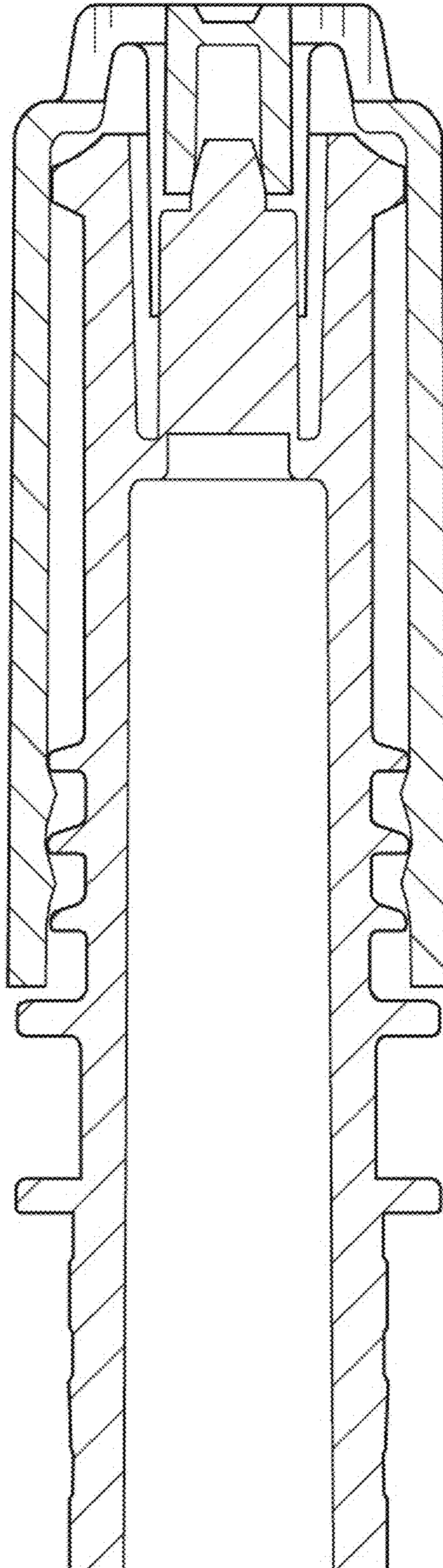
1.4



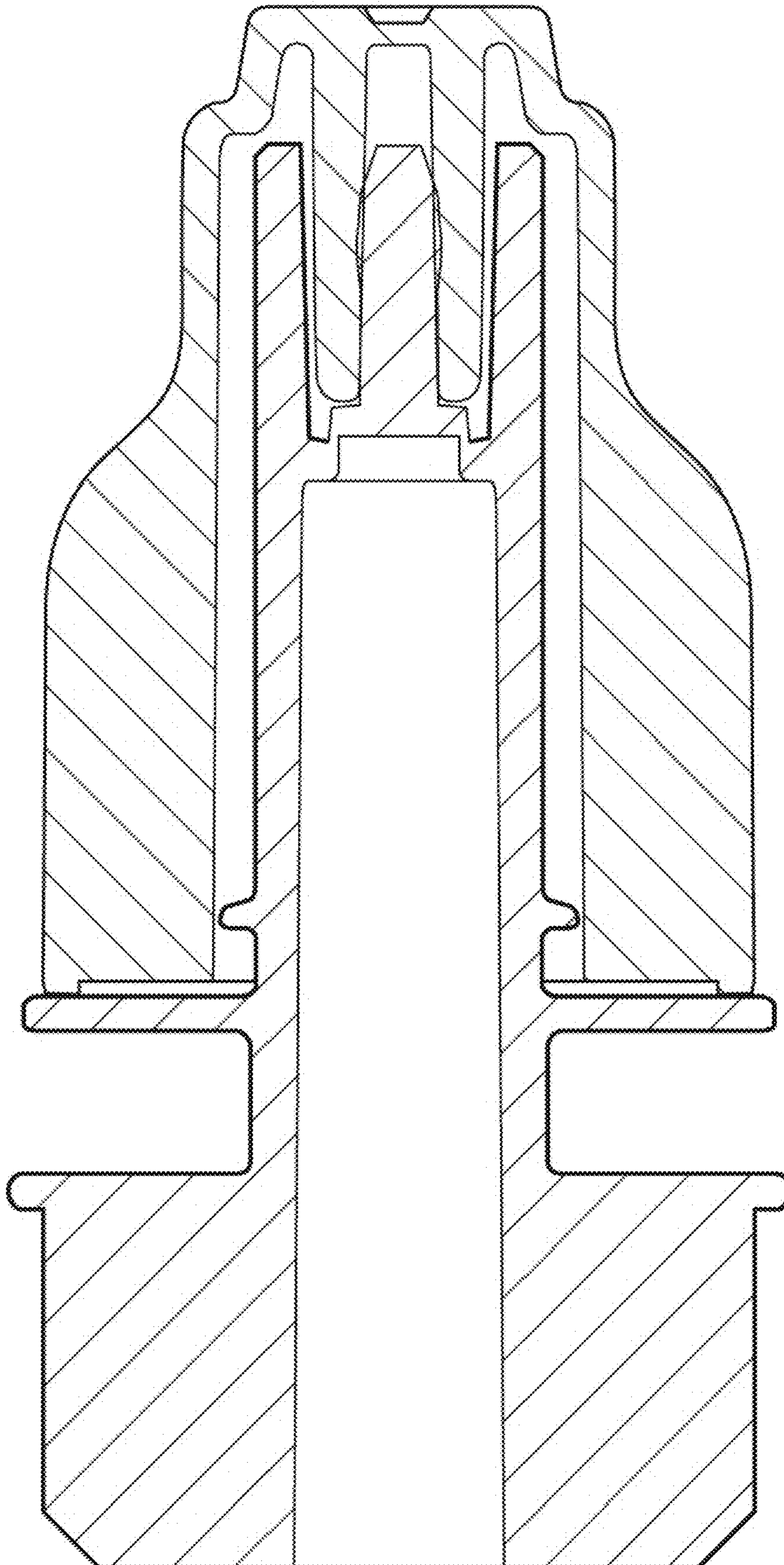
1.5



1.6



1.7



1.8

