



US00D956556S

(12) **United States Design Patent**
Bacher et al.

(10) **Patent No.:** **US D956,556 S**
(45) **Date of Patent:** **** Jul. 5, 2022**

(54) **MASON JAR LID**

(71) Applicant: **MASONTOPS, INC.**, Toronto (CA)

(72) Inventors: **Michael Bacher**, Toronto (CA); **Philip Baron**, Toronto (CA); **Brett Molnar**, Toronto (CA)

(73) Assignee: **MASONTOPS, INC.**, Toronto (CA)

(**) Term: **15 Years**

(21) Appl. No.: **29/697,672**

(22) Filed: **Jul. 10, 2019**

(51) **LOC (13) Cl.** **09-07**

(52) **U.S. Cl.**
USPC **D9/447; D7/392**

(58) **Field of Classification Search**
USPC D7/392, 392.1; D9/434, 445, 447, 454
(Continued)

(56) **References Cited**

U.S. PATENT DOCUMENTS

2,960,257 A * 11/1960 Sasse B44D 3/128
220/733
D361,265 S * 8/1995 Doxey D9/435
(Continued)

OTHER PUBLICATIONS

U Buy website, Masontops Kefir Caps, Earliest review date Jul. 26, 2019, [site visited May 10, 2022], Available on the Internet URL <https://www.ubuy.com.tr/en/product/1D299H8> (Year: 2019).
(Continued)

Primary Examiner — S. Bryan Reinholdt, Jr.
(74) *Attorney, Agent, or Firm* — McAndrews Held & Malloy, Ltd.

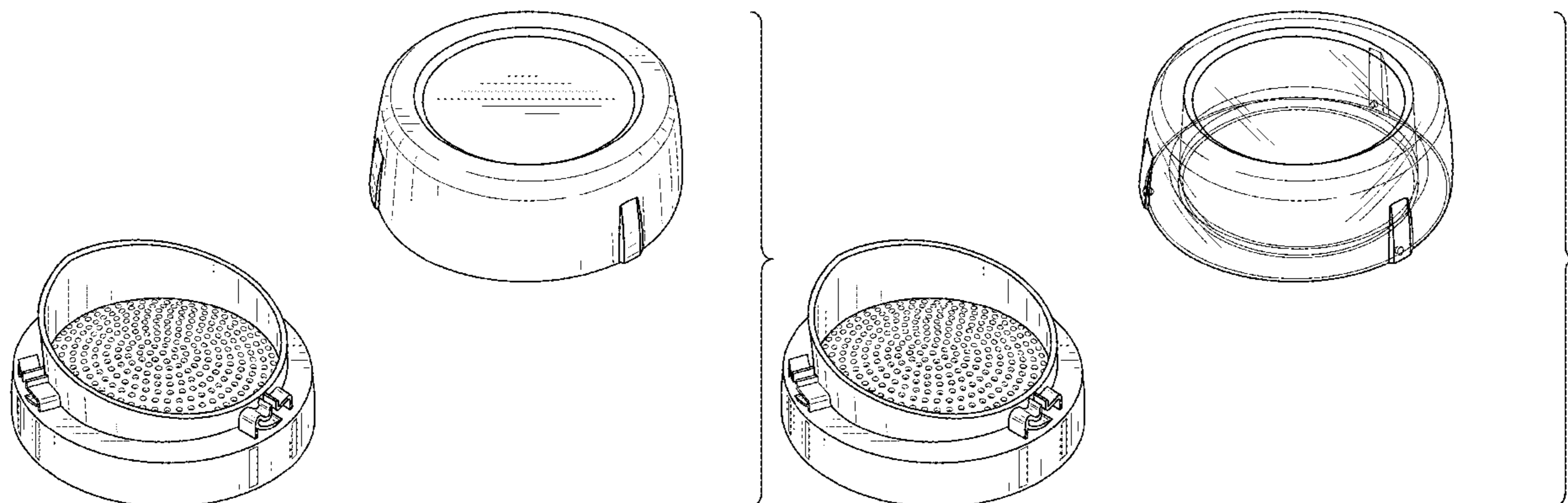
(57) **CLAIM**

The ornamental design for a mason jar lid, as shown and described.

DESCRIPTION

FIG. 1 is an exploded top perspective view of a mason jar lid showing our new design according to a first embodiment; FIG. 2 is an exploded front elevation view thereof; FIG. 3 is an exploded rear elevation view thereof; FIG. 4 is an exploded right side elevation view thereof; FIG. 5 is an exploded left side elevation view thereof; FIG. 6 is an exploded top plan view thereof; FIG. 7 is an exploded bottom plan view thereof; FIG. 8 is an exploded bottom perspective view thereof; FIG. 9 is a top perspective view thereof, showing the mason jar lid on a mason jar in which the mason jar lid is in a partially-open position; FIG. 10 is a front elevation view thereof; FIG. 11 is a top perspective view thereof, showing the mason jar lid on a mason jar in which the mason jar lid is in a closed position; FIG. 12 is a front elevation view thereof; FIG. 13 is an exploded top perspective view of a mason jar lid showing our new design according to a second embodiment; FIG. 14 is an exploded front elevation view thereof; FIG. 15 is an exploded rear elevation view thereof; FIG. 16 is an exploded right side elevation view thereof; FIG. 17 is an exploded left side elevation view thereof; FIG. 18 is an exploded top plan view thereof; FIG. 19 is an exploded bottom plan view thereof; FIG. 20 is an exploded bottom perspective view thereof; FIG. 21 is a top perspective view thereof, showing the mason jar lid on a mason jar in which the mason jar lid is in a partially-open position; FIG. 22 is a front elevation view thereof; FIG. 23 is a top perspective view thereof, showing the mason jar lid on a mason jar in which the mason jar lid is in a closed position; and, FIG. 24 is a front elevation view thereof.
The broken line showing of a mason jar in FIGS. 9-12 and 21-24 is for the purpose of illustrating environmental structure that forms no part of the claimed design.

1 Claim, 14 Drawing Sheets



(58) **Field of Classification Search**

CPC .. A61J 1/00; A61J 1/1412; B65D 1/00; B65D
1/02; B65D 1/10

See application file for complete search history.

(56) **References Cited**

U.S. PATENT DOCUMENTS

D733,558 S	*	7/2015	Wyne	D9/447
D743,789 S	*	11/2015	Wisniewski	D9/447
D761,103 S	*	7/2016	Lebon	D9/447
D777,032 S	*	1/2017	Buck	D9/447
D803,005 S	*	11/2017	Lane	D7/629
D836,387 S	*	12/2018	Silsby	D7/392.1
D867,058 S	*	11/2019	Spivey	D7/392.1
D878,538 S	*	3/2020	Mecker	D9/434
D917,963 S	*	5/2021	Öztürk	D7/392.1
D932,597 S	*	10/2021	Cheng	D9/453
D942,806 S	*	2/2022	Dean	D7/392.1

OTHER PUBLICATIONS

Titus 2 Homemaker website blog, Masontops Mason Jar Accessories, Publication date Nov. 26, 2019, Available on the Internet URL <https://titus2homemaker.com/masontops-mason-jar-accessories/> (Year: 2019).*

* cited by examiner

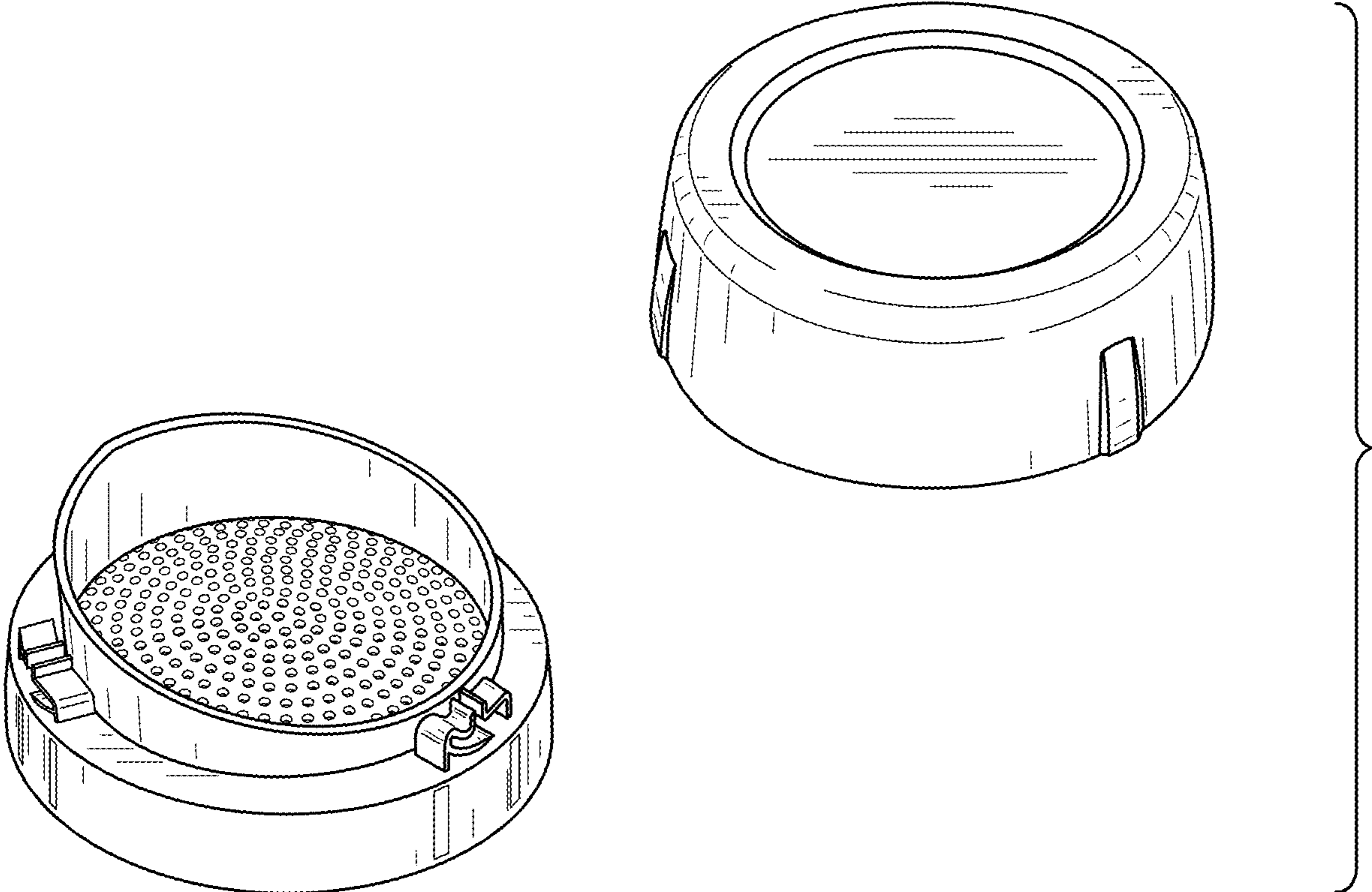


FIG. 1

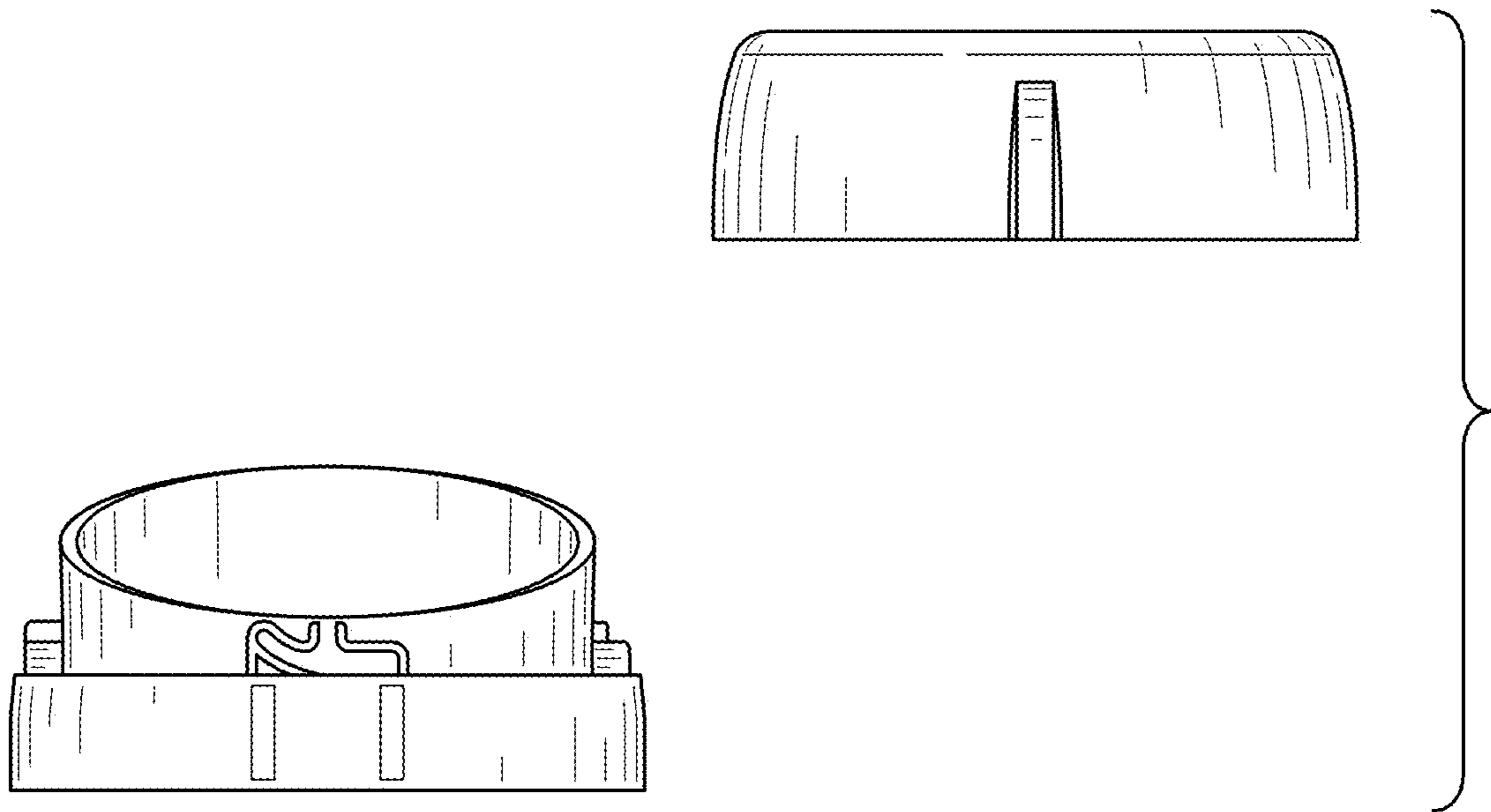


FIG. 2

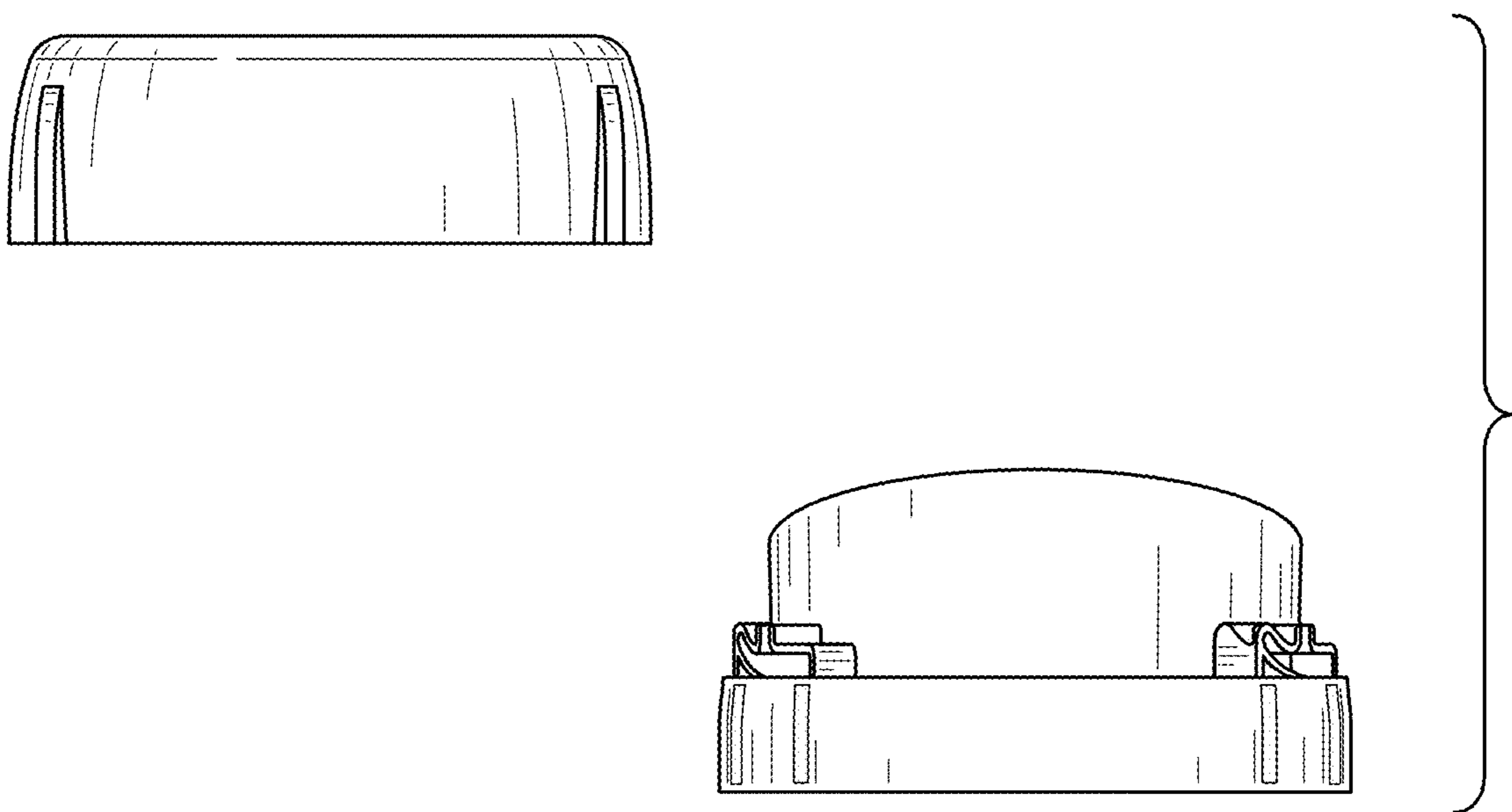


FIG. 3

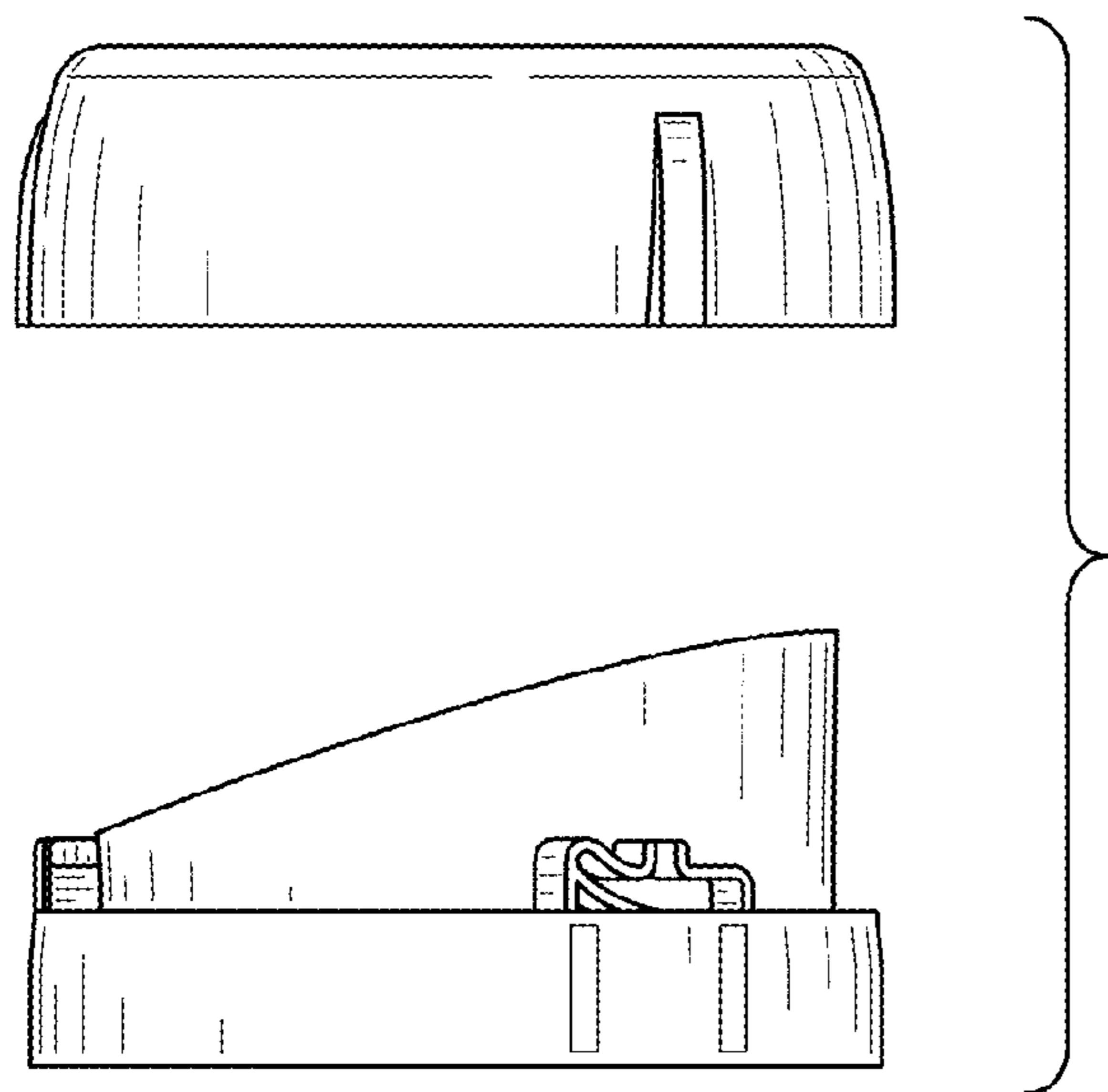


FIG. 4

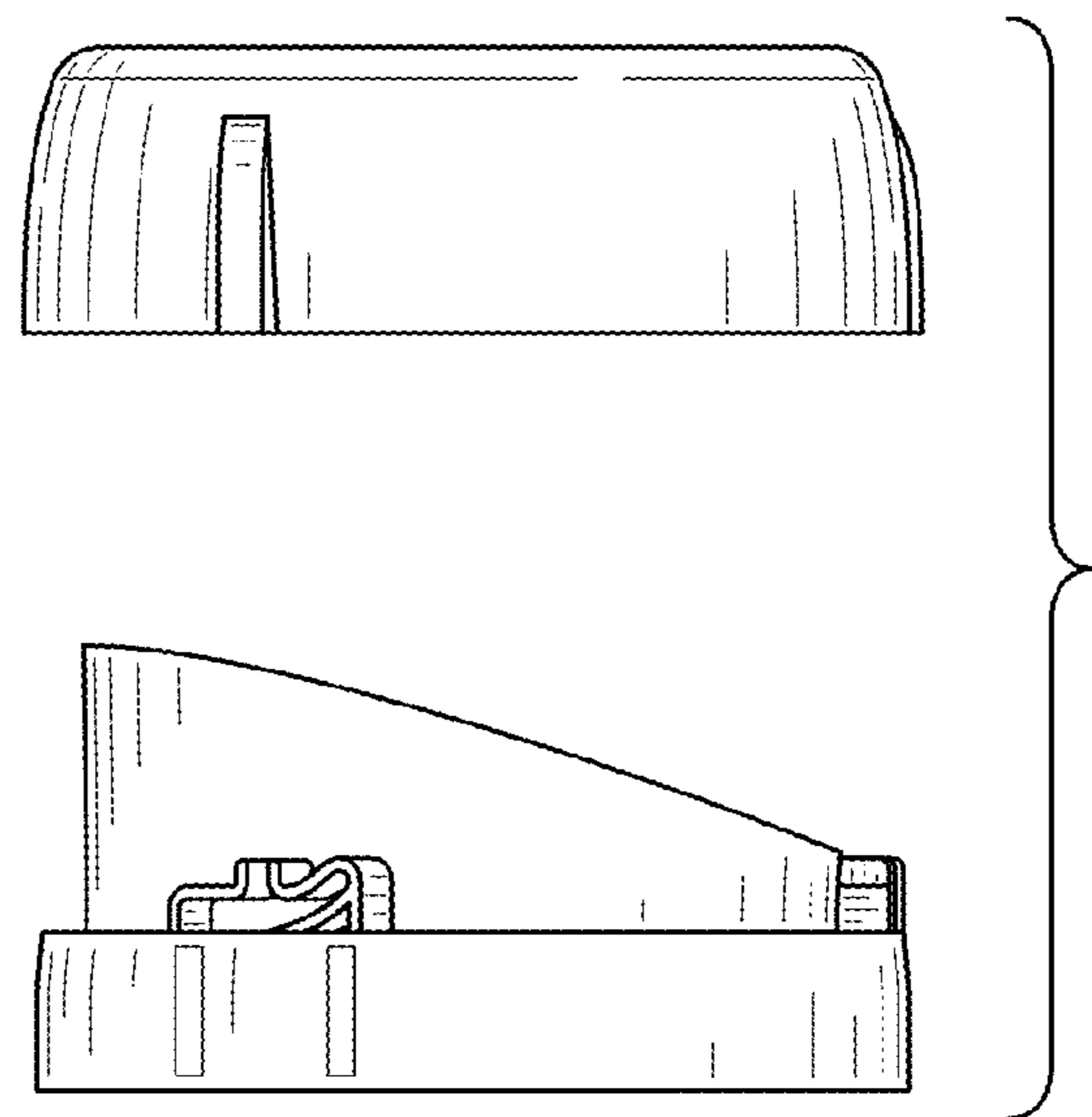


FIG. 5

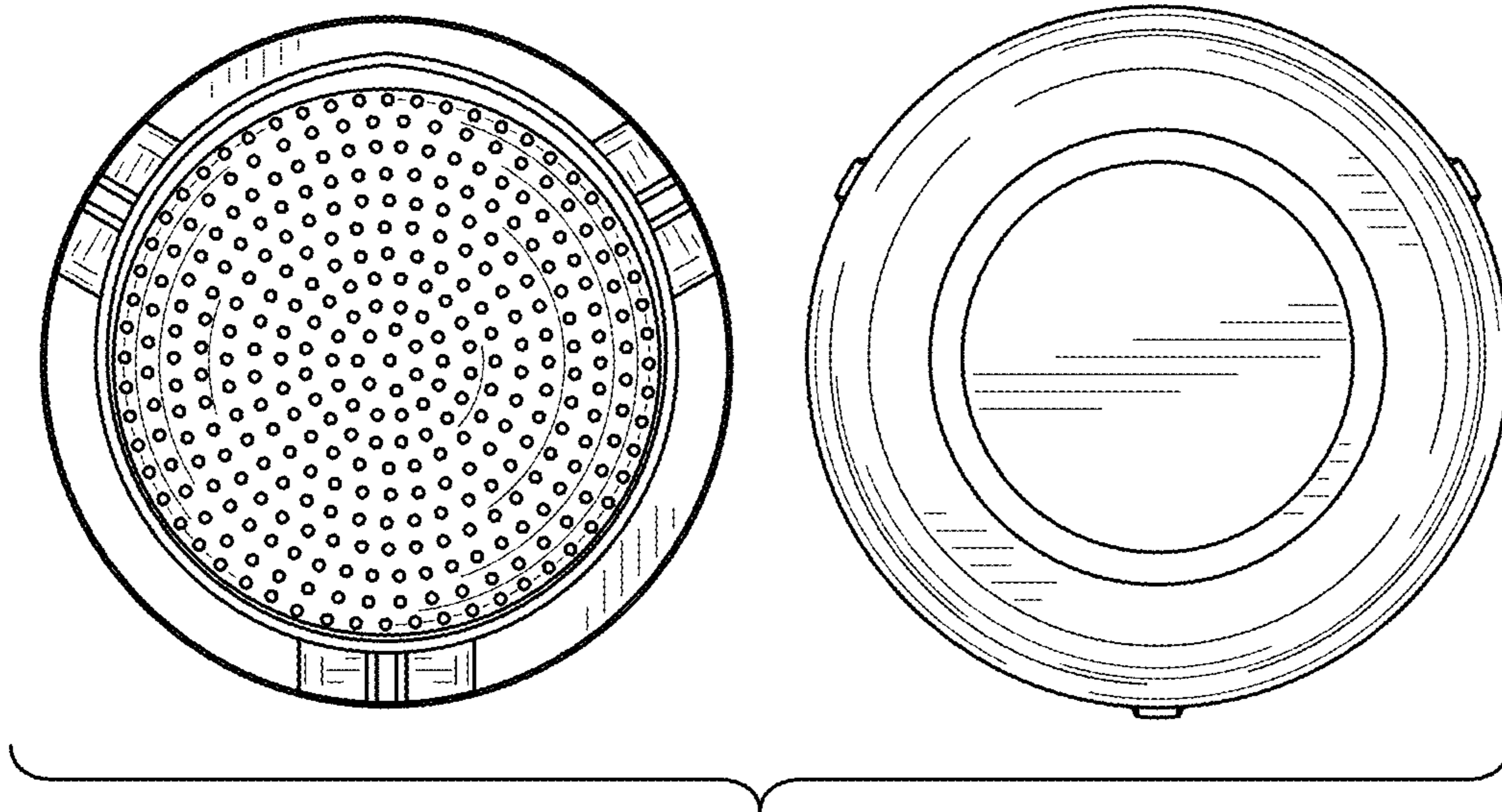


FIG. 6

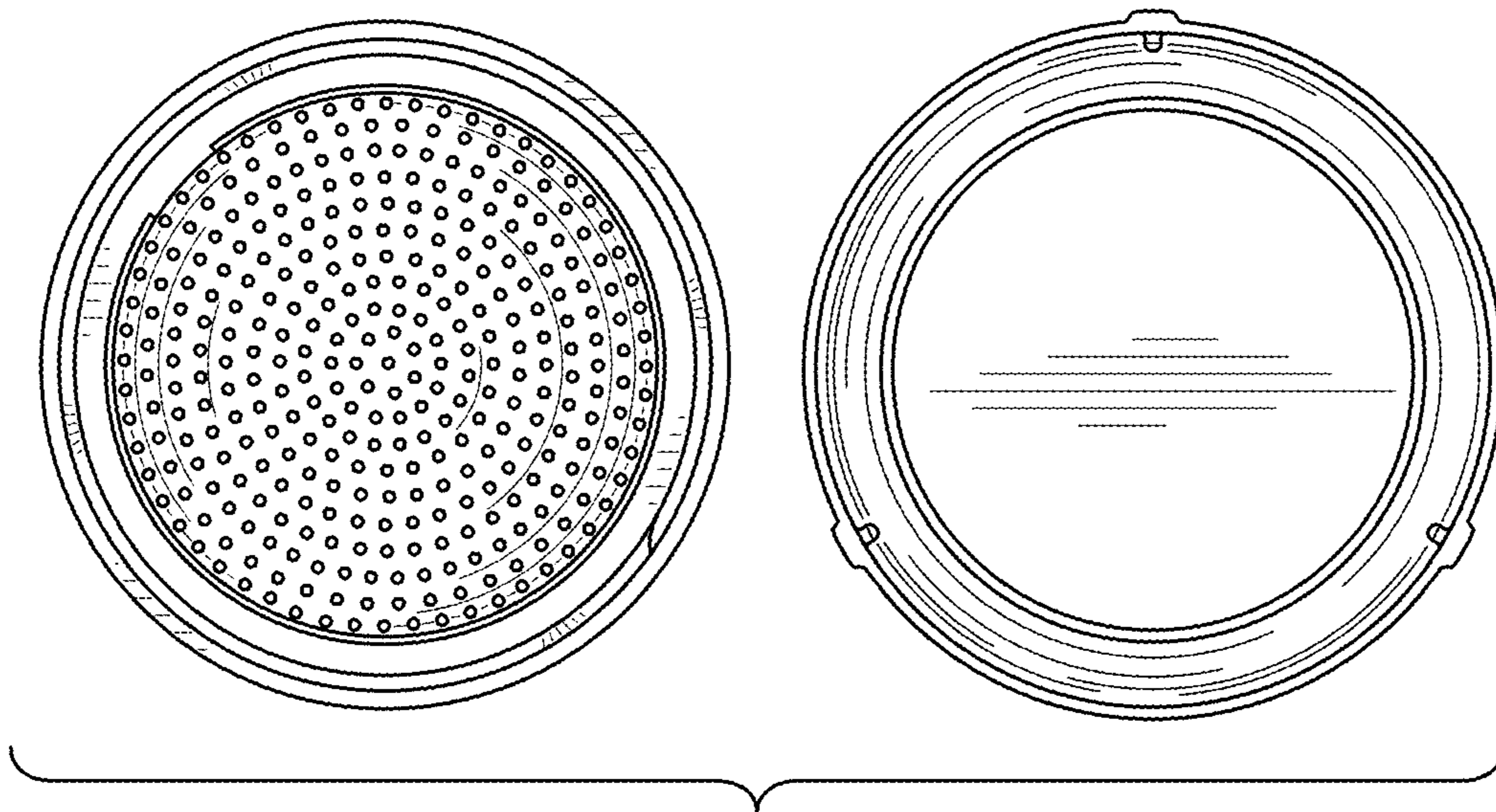


FIG. 7

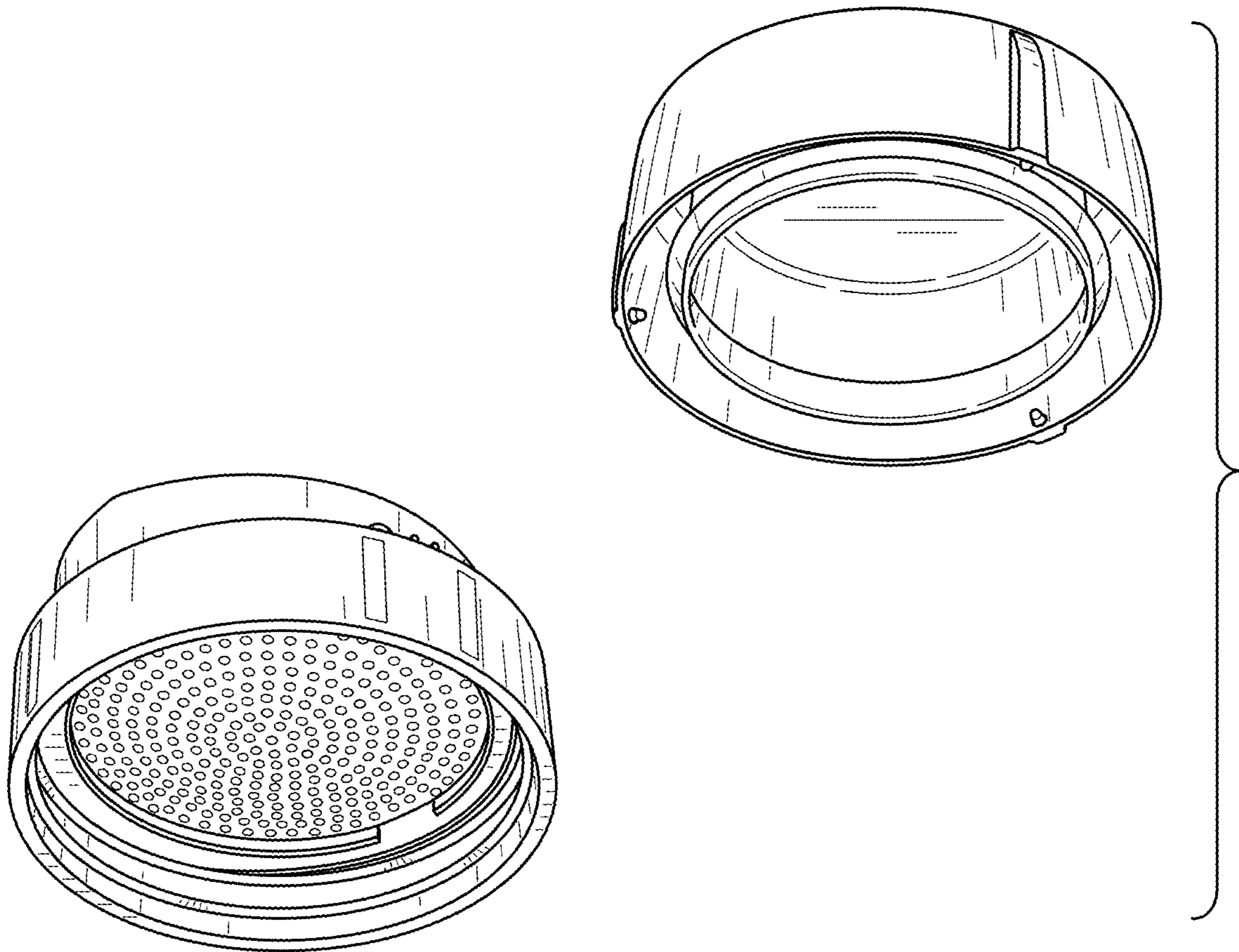


FIG. 8

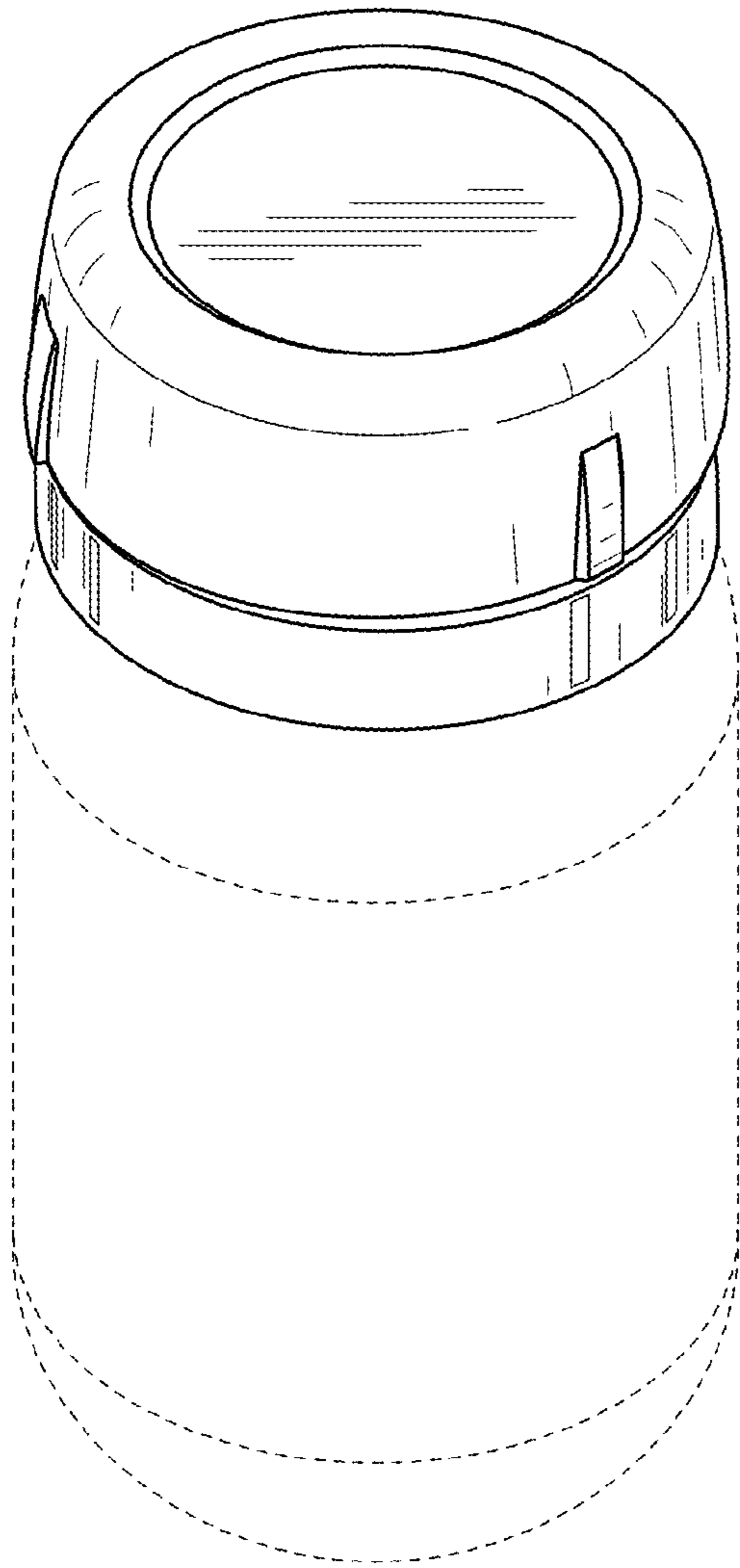


FIG. 9

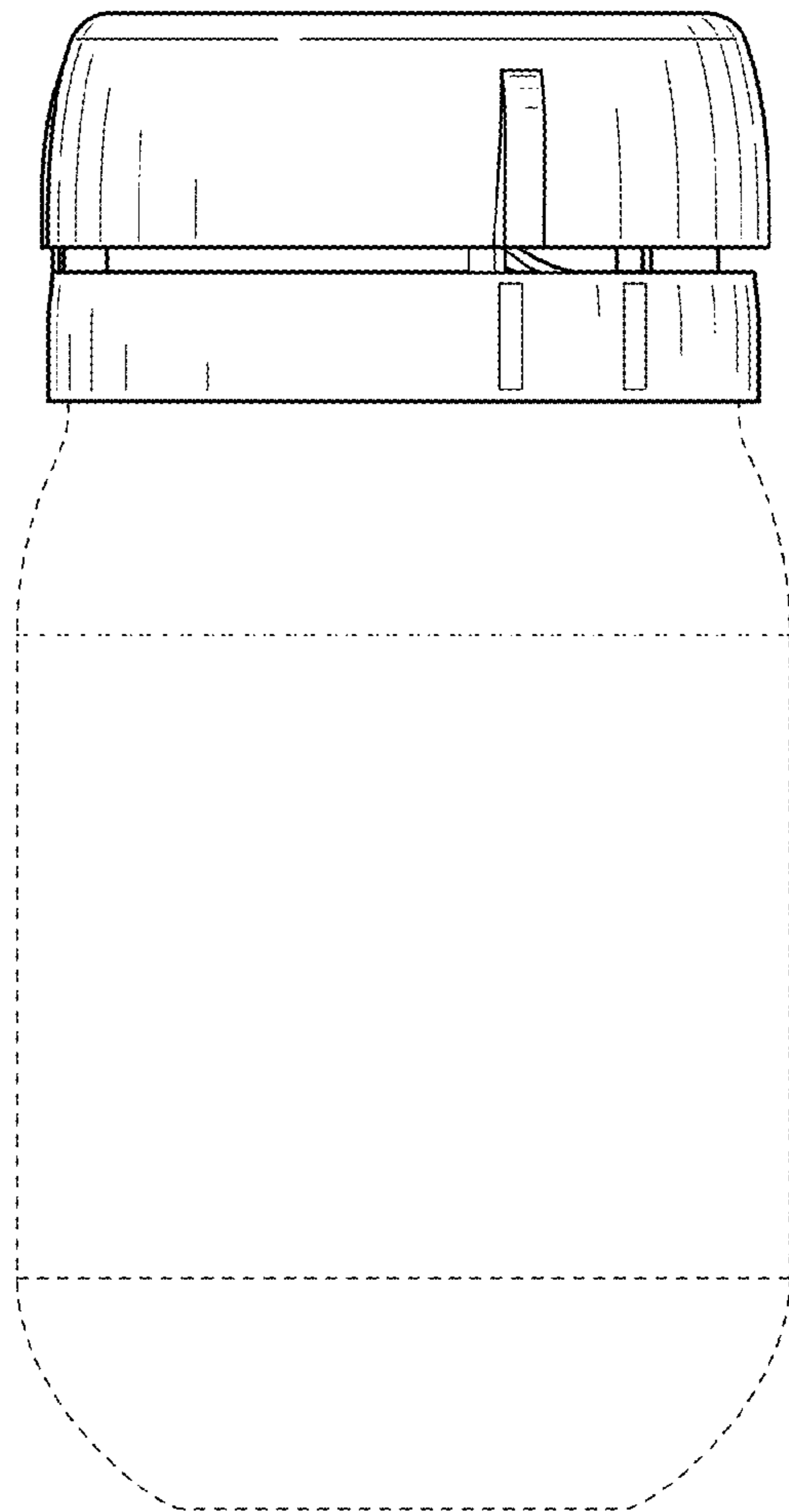


FIG. 10

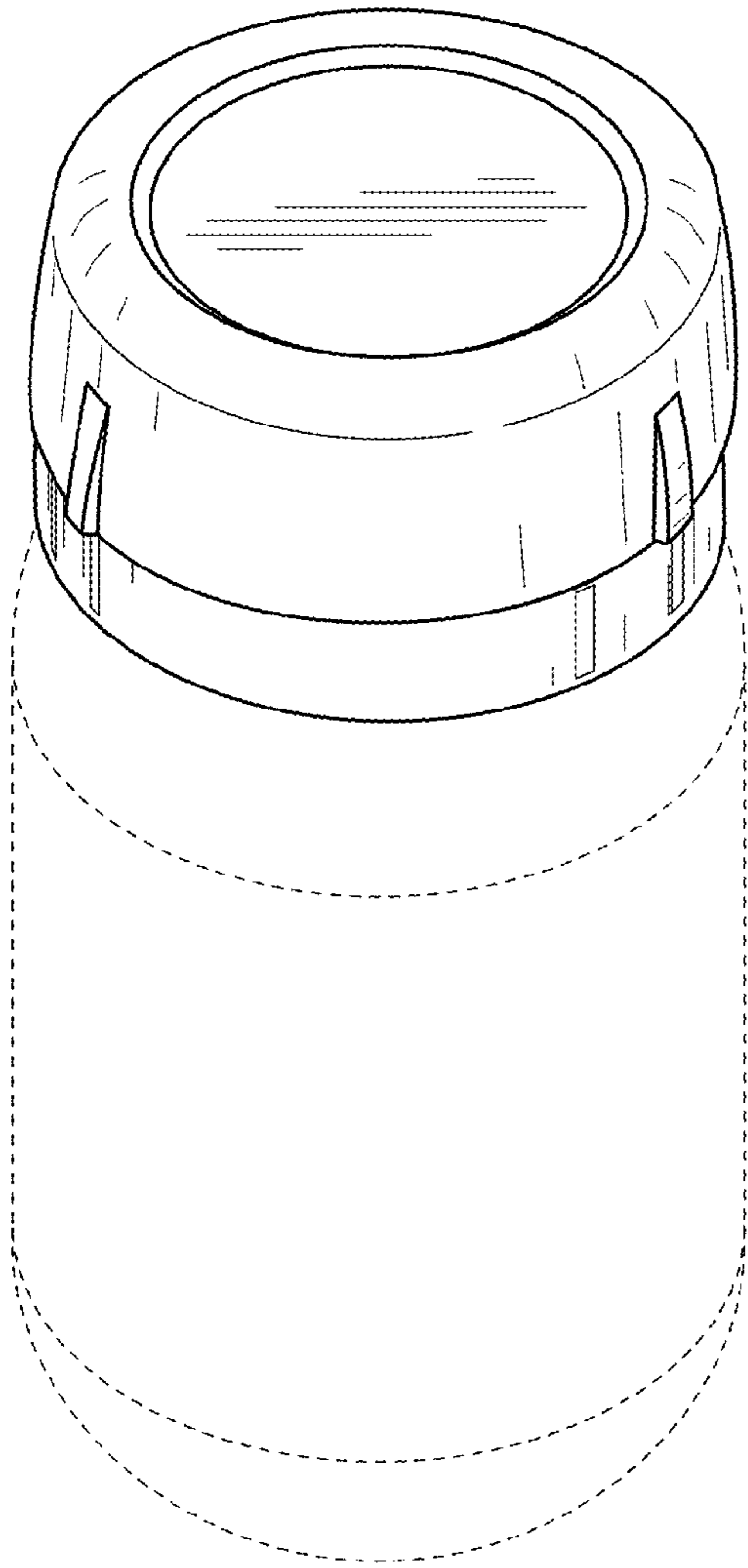


FIG. 11

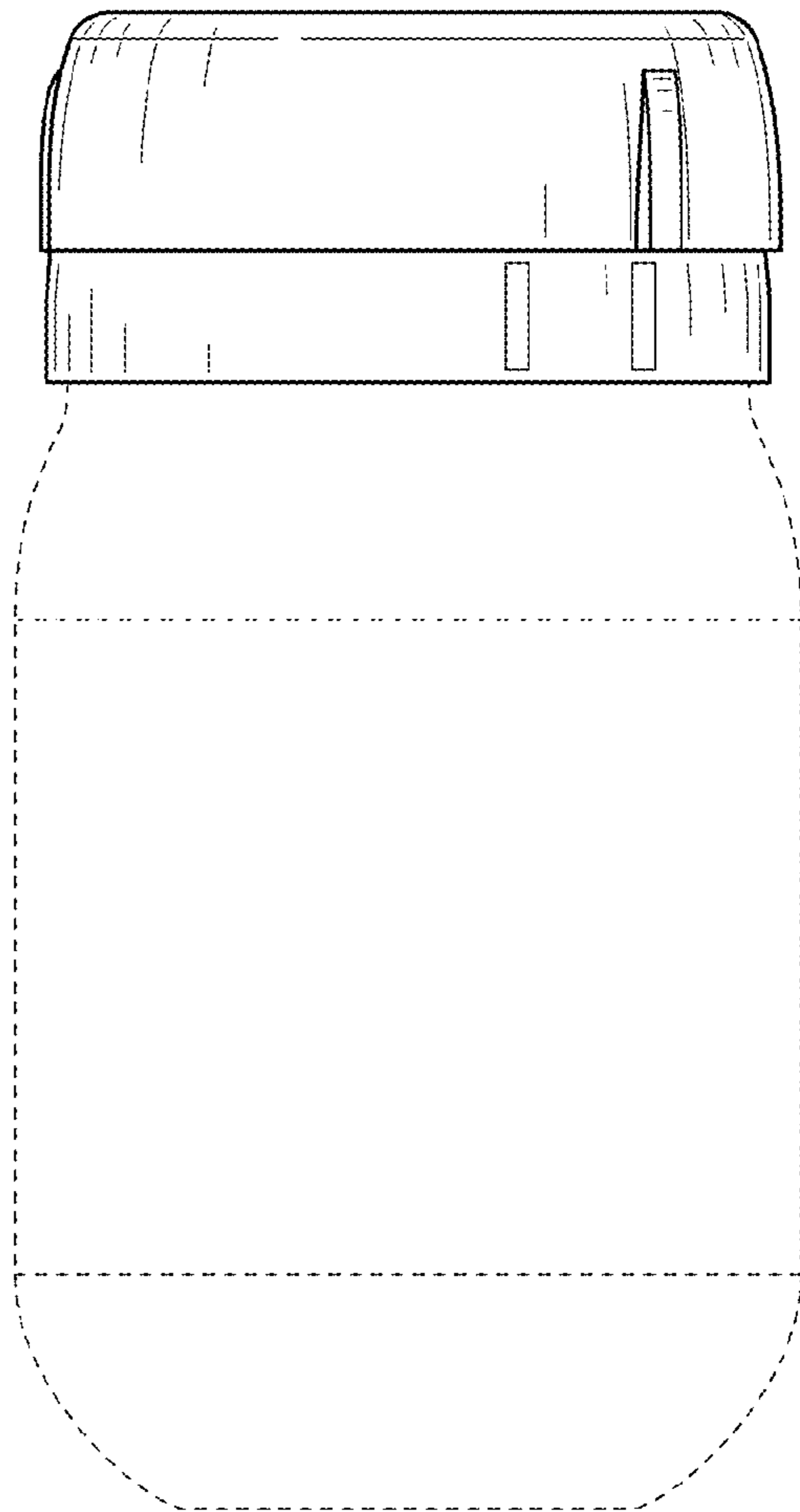


FIG. 12

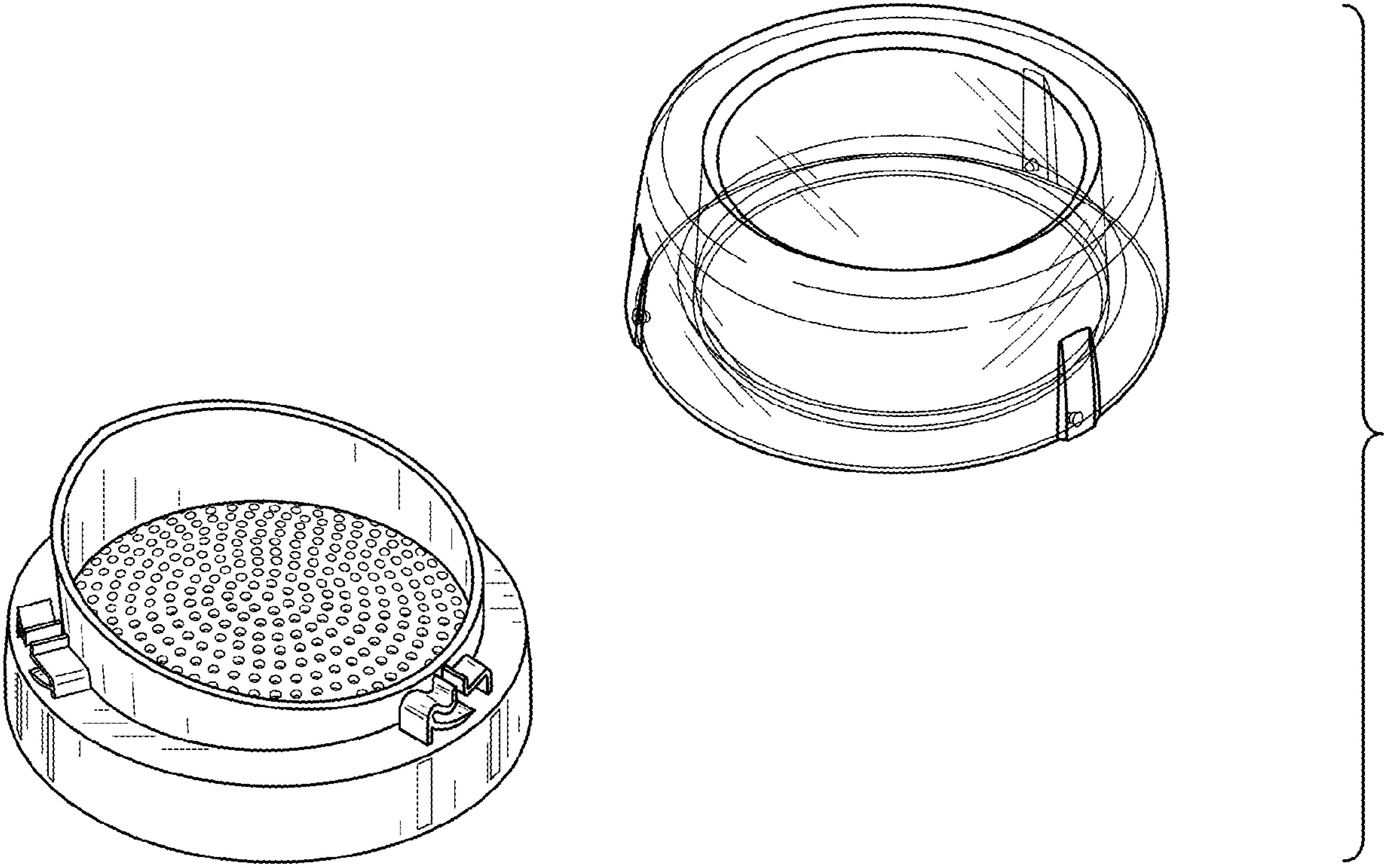


FIG. 13

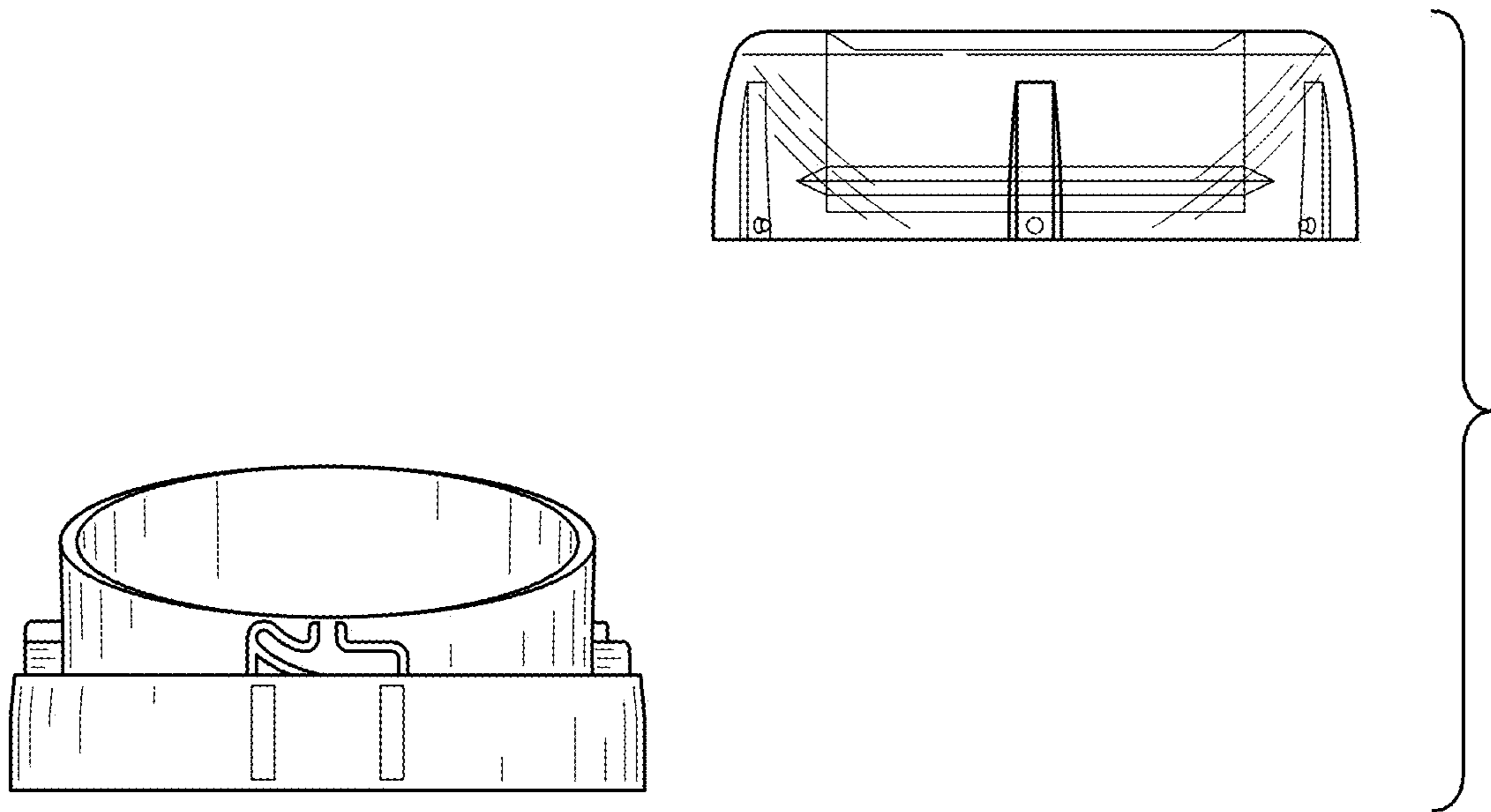


FIG. 14

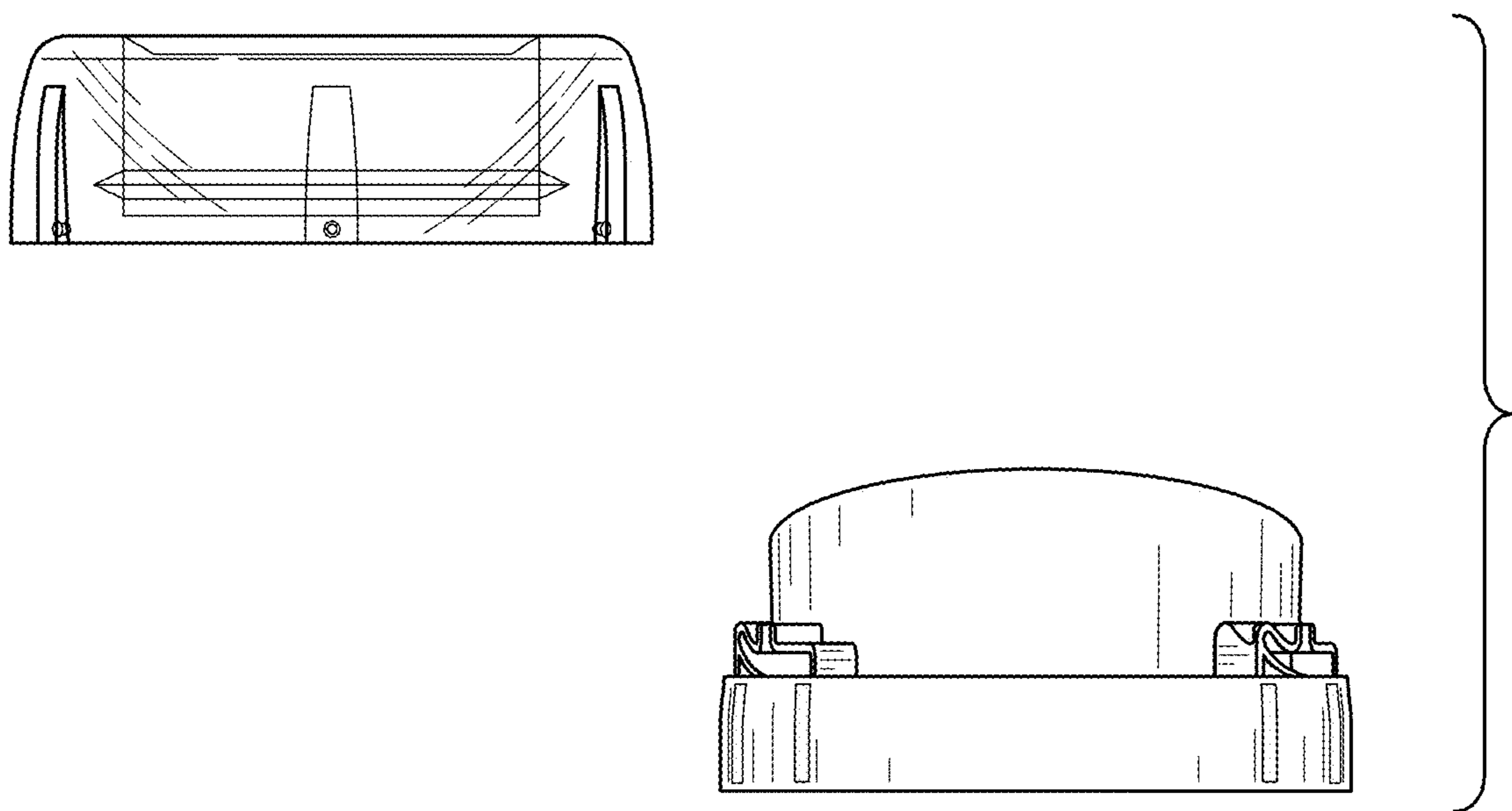


FIG. 15

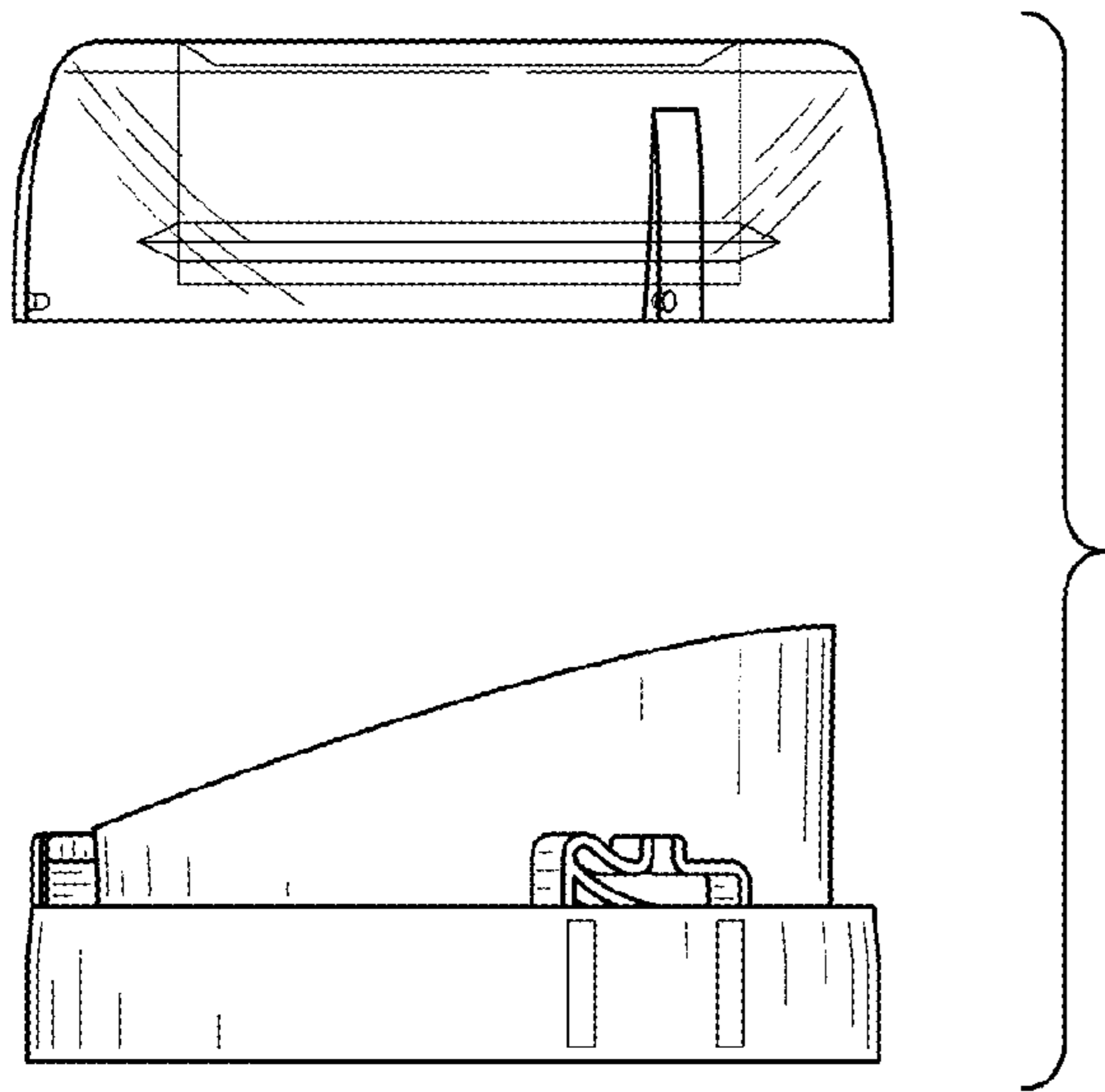


FIG. 16

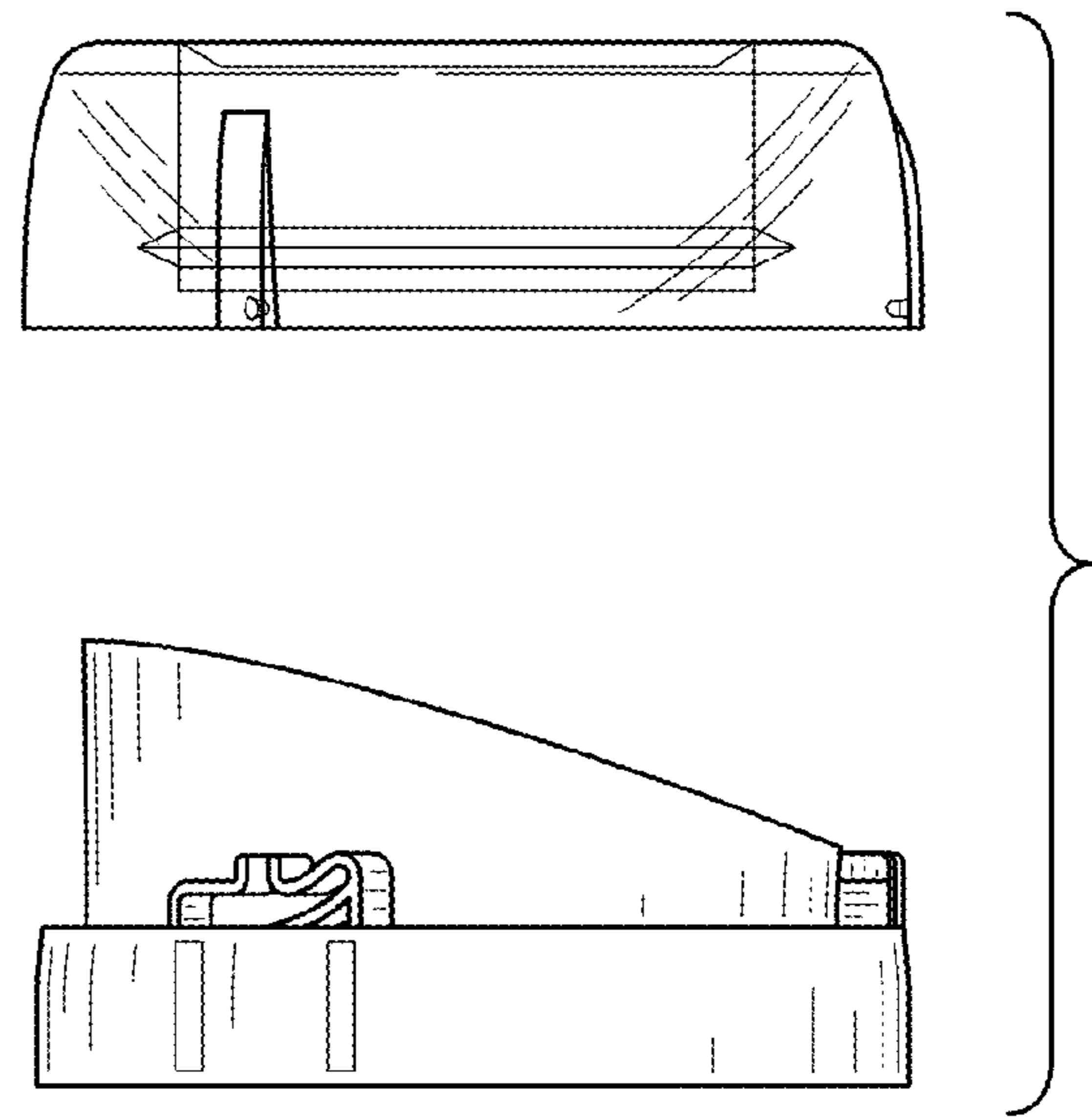


FIG. 17

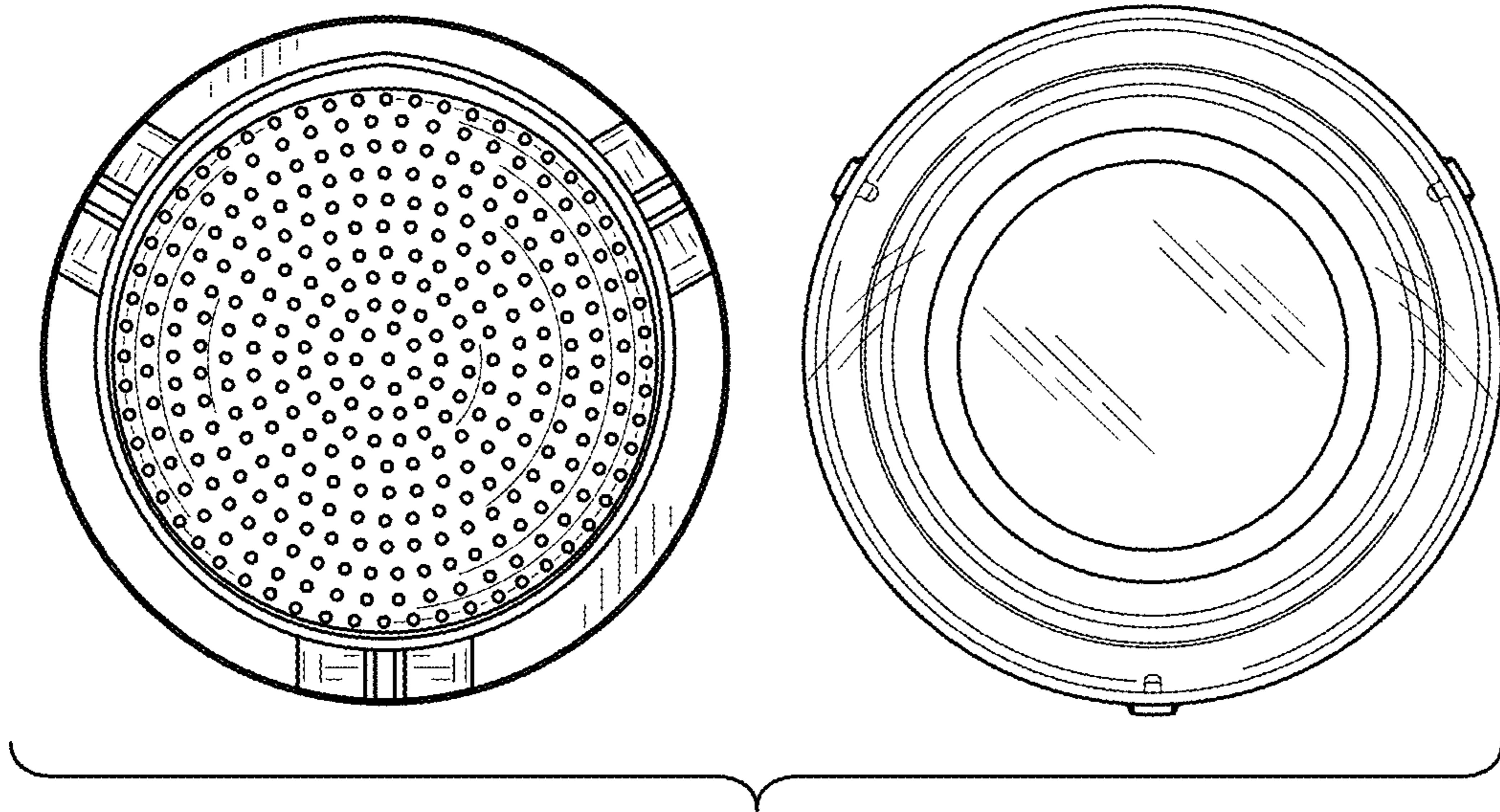


FIG. 18

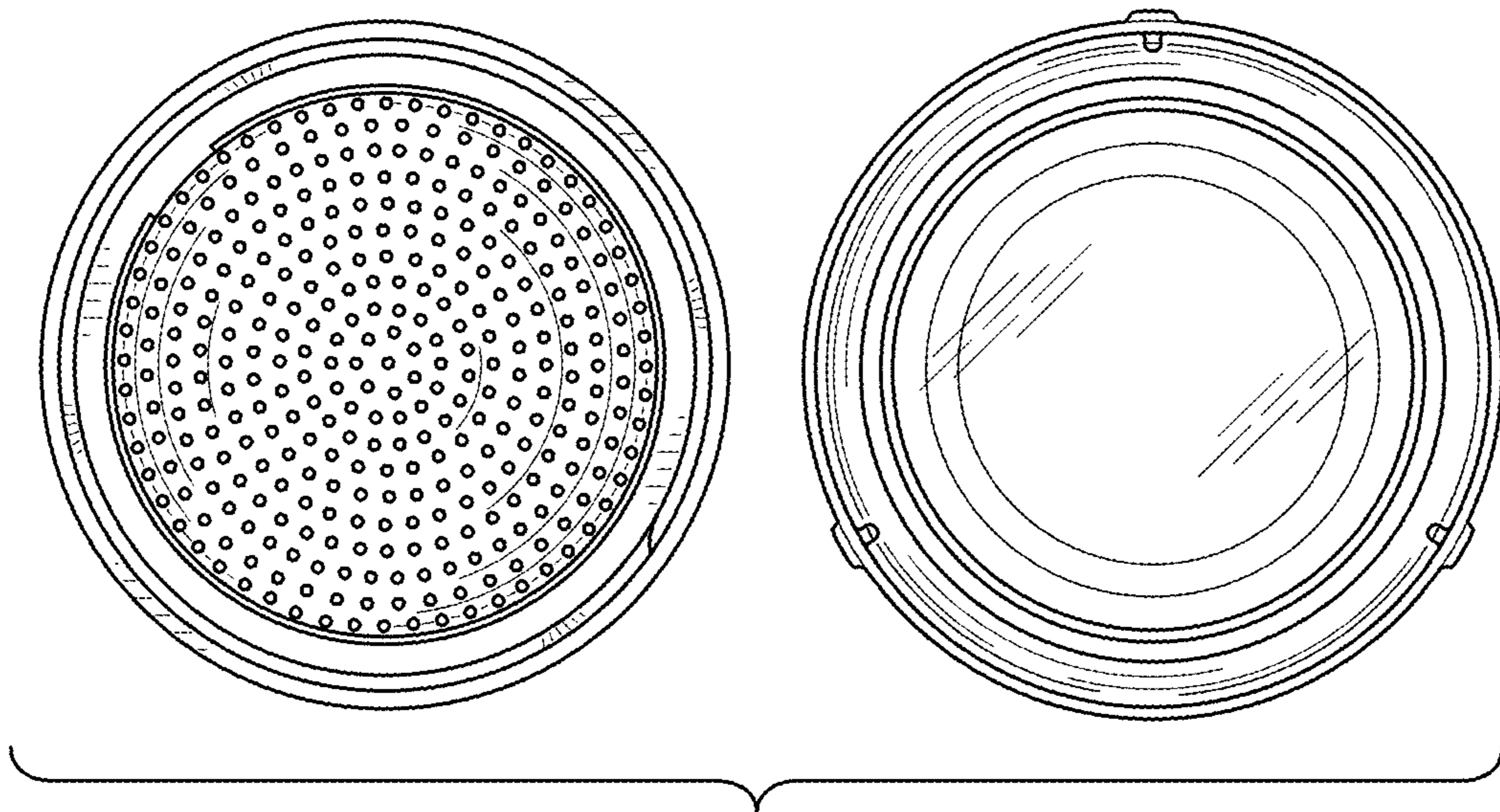


FIG. 19

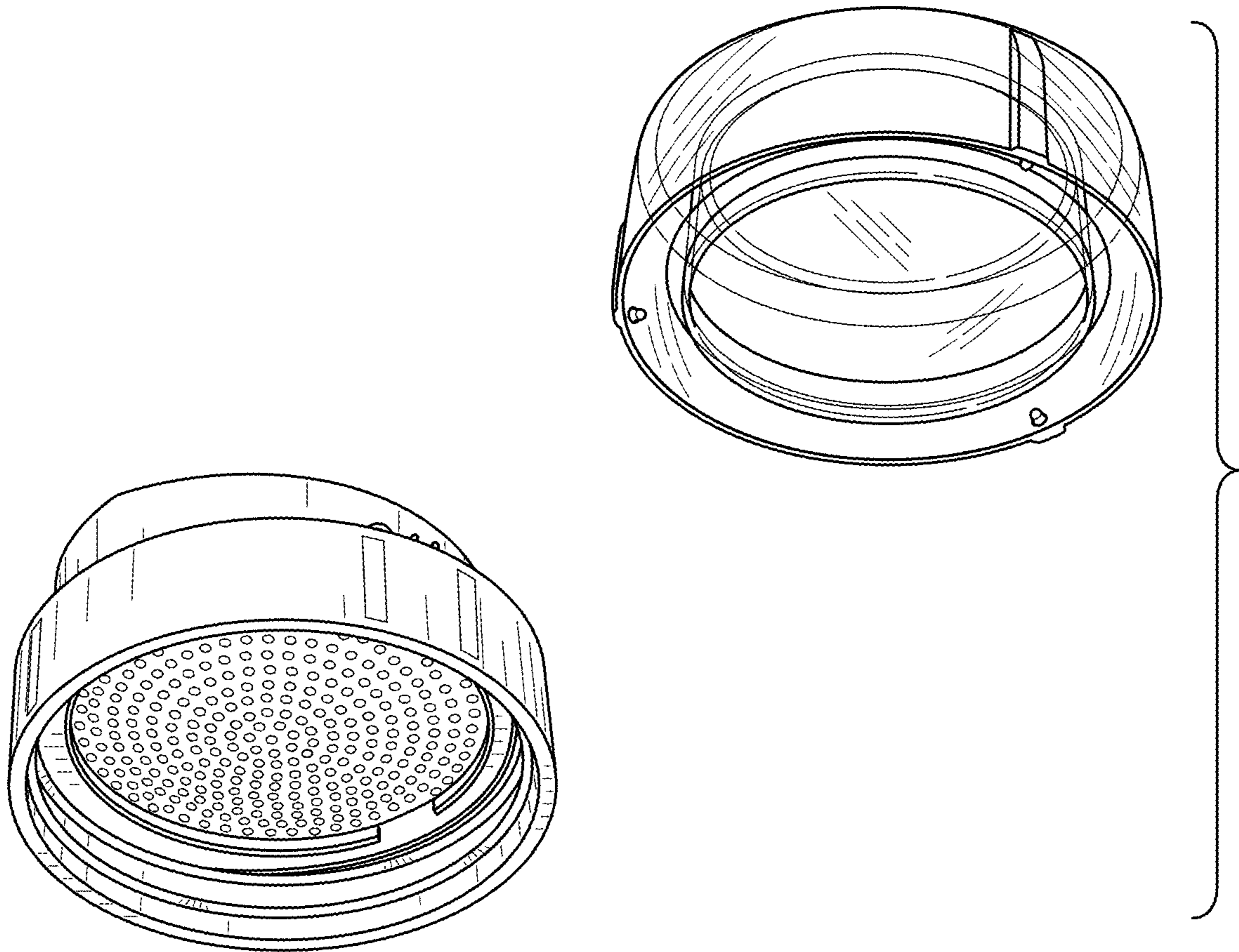


FIG. 20

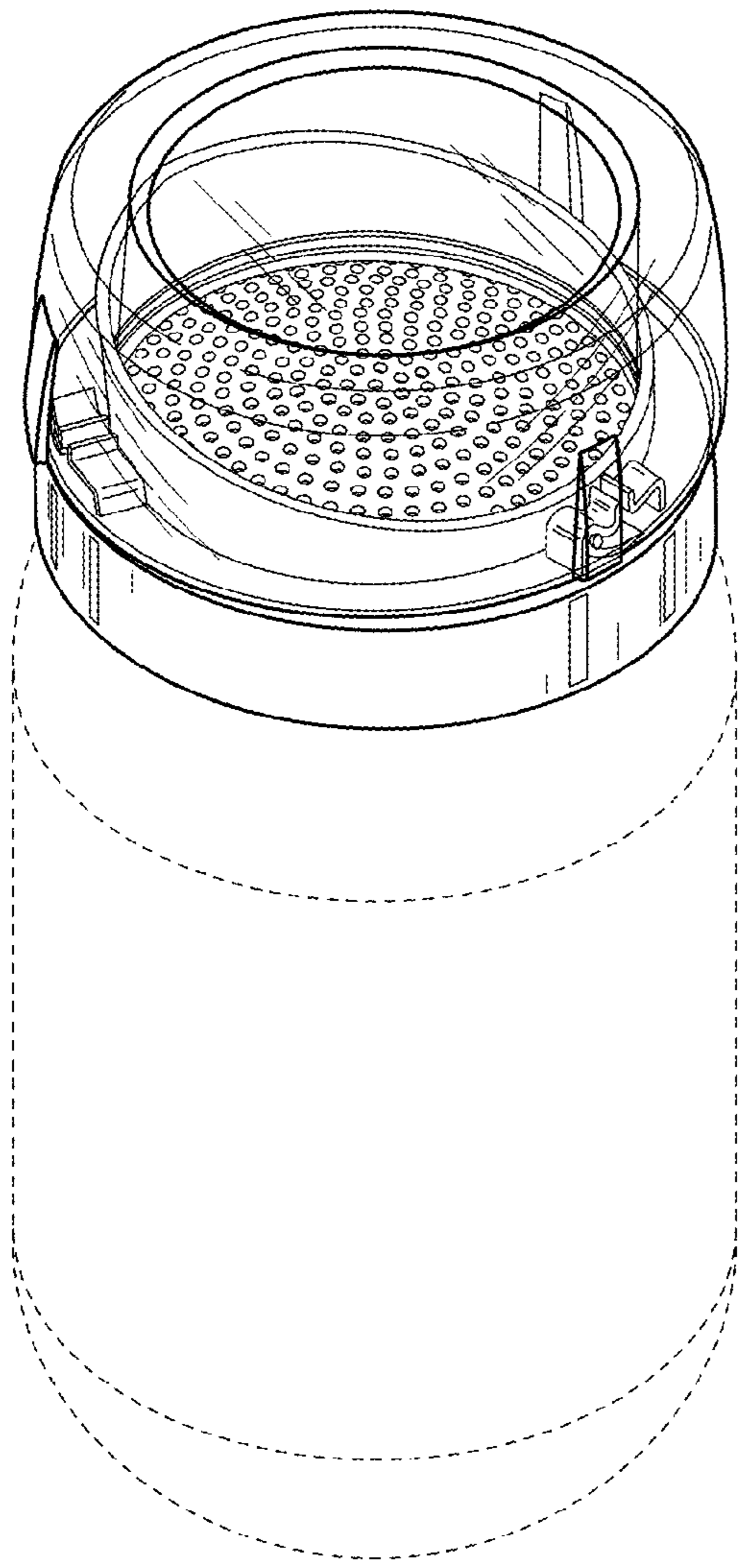


FIG. 21

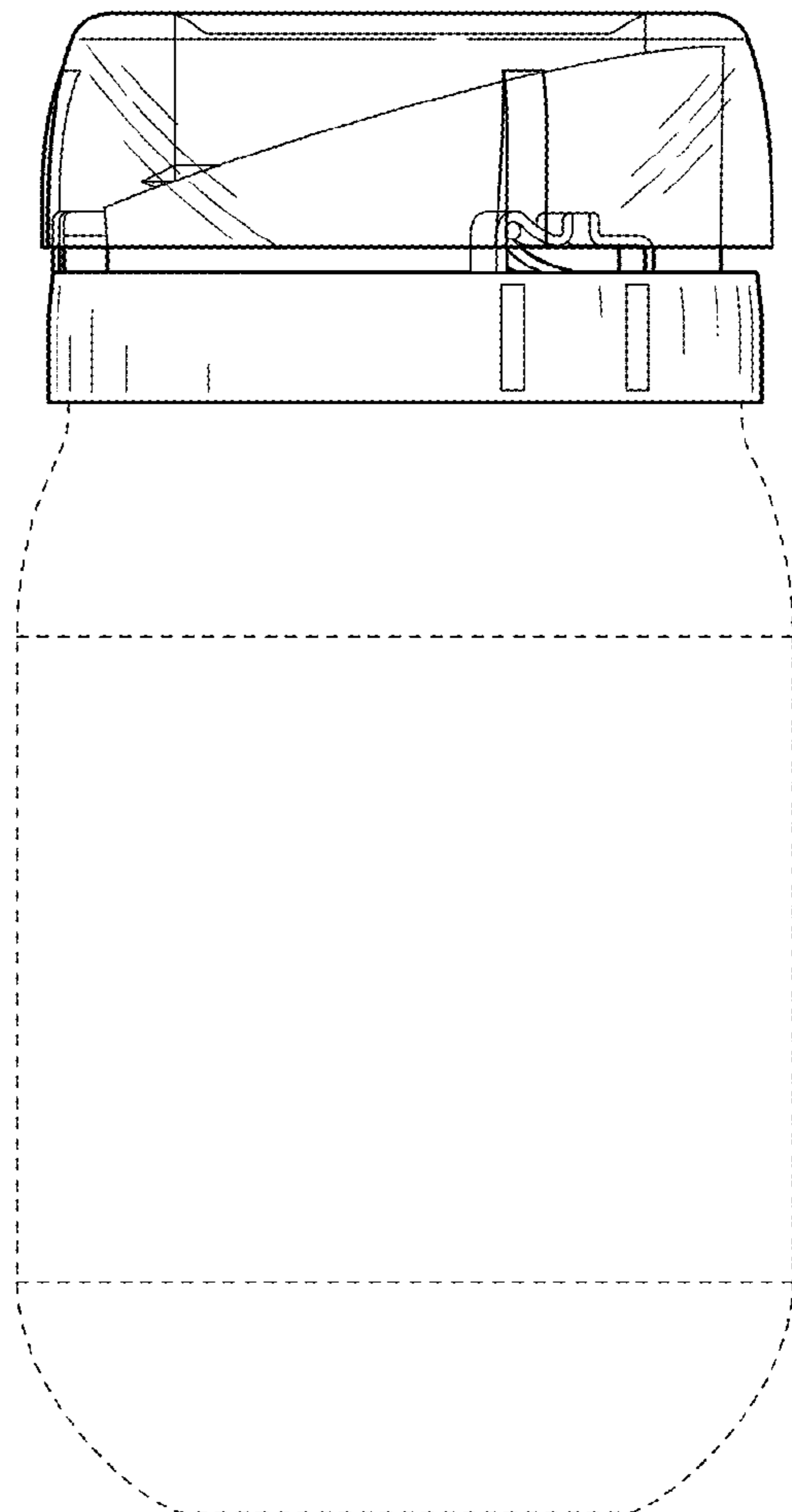


FIG. 22

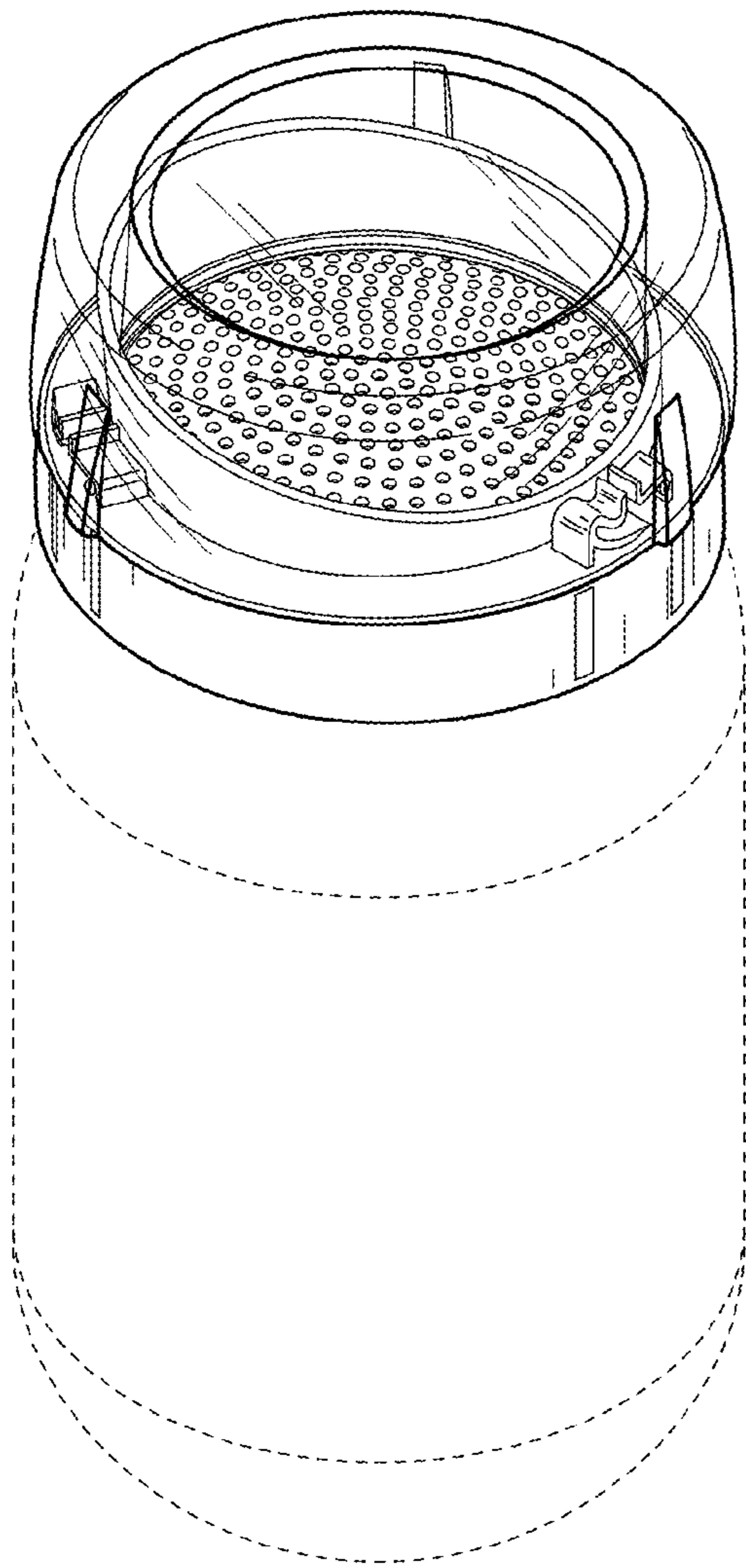


FIG. 23

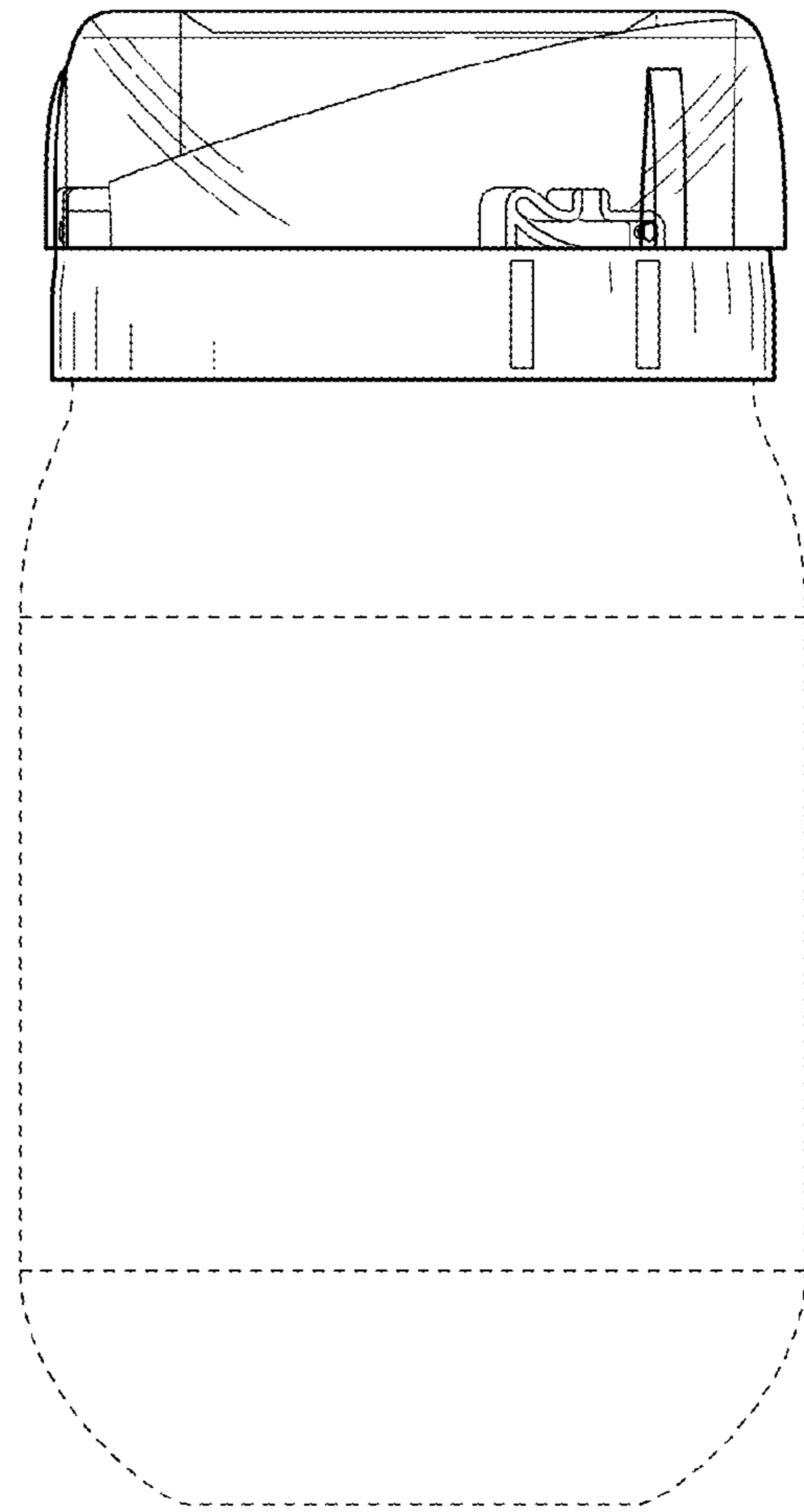


FIG. 24