



US00D956554S

(12) **United States Design Patent** (10) **Patent No.:** **US D956,554 S**
Moss (45) **Date of Patent:** **** Jul. 5, 2022**

(54) **HANGER**
(71) Applicant: **House of Atlas, LLC**, Evanston, IL (US)
(72) Inventor: **Jason Moss**, Libertyville, IL (US)
(73) Assignee: **House of Atlas, LLC**, Evanston, IL (US)

4,684,095 A 8/1987 Athey
5,193,775 A 3/1993 Wagnon
5,398,900 A 3/1995 Schober
D376,755 S 12/1996 Cox
D389,035 S 1/1998 Smiley
D408,722 S 4/1999 Sartini
D420,567 S 2/2000 Laga
D455,334 S 4/2002 Ivankovic

(Continued)

(**) Term: **15 Years**

(21) Appl. No.: **29/717,022**

(22) Filed: **Dec. 13, 2019**

(51) **LOC (13) Cl.** **09-07**

(52) **U.S. Cl.**
USPC **D9/434**; D8/367; D6/323

(58) **Field of Classification Search**
USPC D6/315, 323, 326, 328; D8/363, 367,
D8/376, 380; D9/434
CPC A47G 25/0692; A47G 25/1471; A47G
25/28; A47G 25/32

See application file for complete search history.

(56) **References Cited**

U.S. PATENT DOCUMENTS

D47,004 S 2/1915 Martin
D55,157 S 5/1920 Dubish
1,525,895 A 2/1925 Sherwood
D101,104 S 7/1936 Bushey
3,495,763 A * 2/1970 Kamins B65D 33/1683
D9/434
D223,229 S * 4/1972 Kamins et al. D9/434
D223,230 S * 4/1972 Kamins et al. D9/434
D242,986 S 1/1977 Inglis
D251,180 S 2/1979 Mader
D253,162 S 10/1979 Sheehan
D272,494 S * 2/1984 Mahowald D6/513
D290,931 S 7/1987 Powell

OTHER PUBLICATIONS

“Plastic Sock Hook Hanger”, May 18, 2017, Amazon.com, site visited Feb. 15, 2022: <https://www.amazon.com/Plastic-Stocking-Underwear-Accessories-Packaging/dp/B072LN8F4X> (Year: 2017).*

(Continued)

Primary Examiner — Jack Reickel

Assistant Examiner — Michael A Kervin

(74) *Attorney, Agent, or Firm* — Fitch, Even, Tabin & Flannery LLP

(57) **CLAIM**

The ornamental design for a hanger, as shown and described.

DESCRIPTION

FIG. 1 is a top perspective view of a hanger in accordance with my new design;

FIG. 2 is a top plan of the design of FIG. 1;

FIG. 3 is a bottom plan view of the design of FIG. 1;

FIG. 4 is a left side elevation view of the design of FIG. 1;

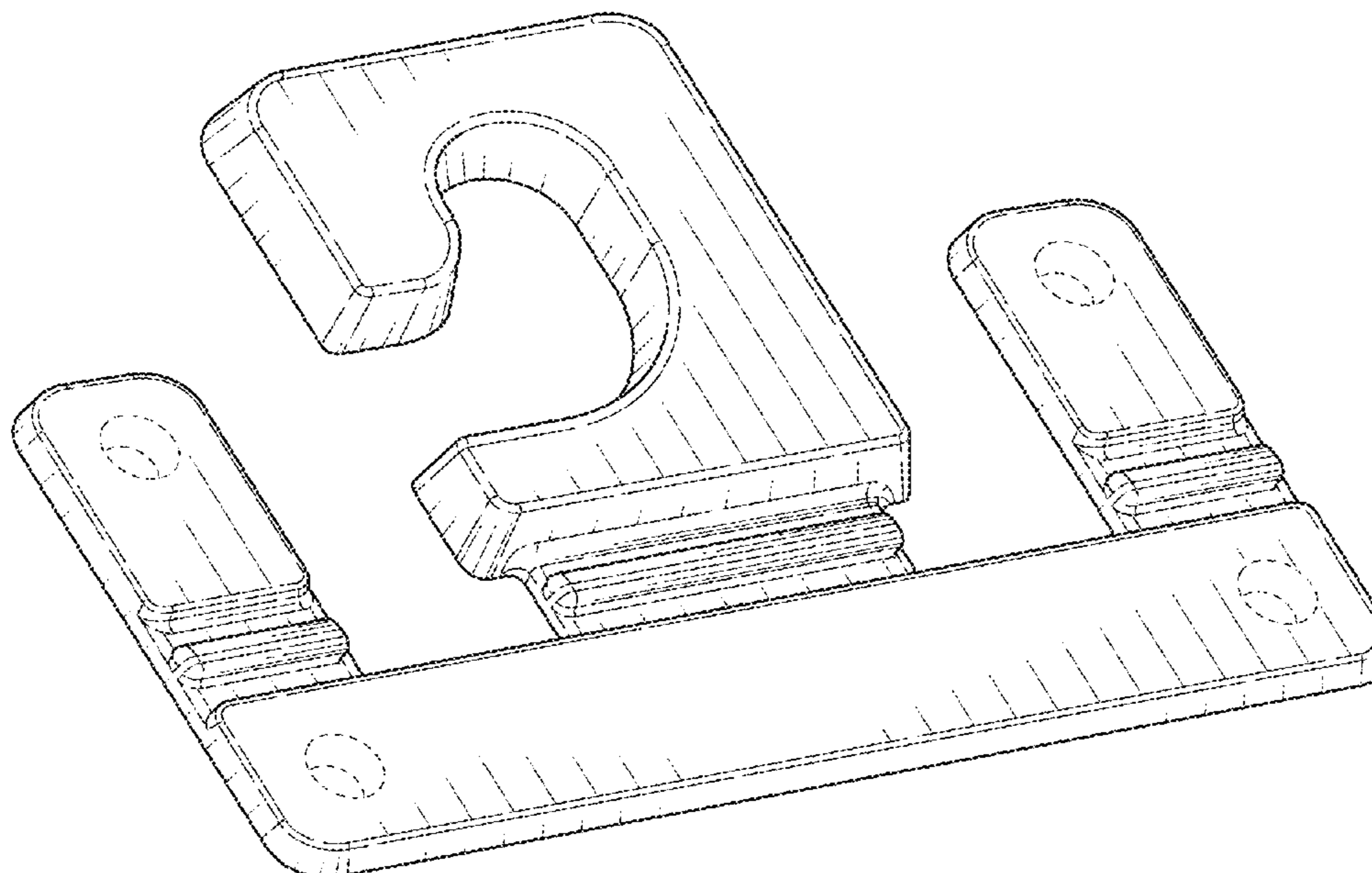
FIG. 5 is a right side elevation view of the design of FIG. 1;

FIG. 6 is a front elevation view of the design of FIG. 1; and,

FIG. 7 is a rear elevation view of the design of FIG. 1.

The broken line showing of a hanger is for the purpose of illustrating portions of the article and forms no part of the claimed design.

1 Claim, 4 Drawing Sheets



(56)

References Cited

U.S. PATENT DOCUMENTS

D464,013 S 10/2002 Adams
 D478,804 S 8/2003 Titus
 D503,092 S * 3/2005 Feibelman D9/455
 D556,266 S * 11/2007 Garden D20/43
 D602,344 S 10/2009 Olien
 D611,328 S 3/2010 Hanley
 D638,282 S 5/2011 Robinson
 D646,957 S 10/2011 Syed
 D657,577 S * 4/2012 Coote D6/328
 D658,043 S 4/2012 Burr
 8,231,093 B2 7/2012 Tran
 D672,159 S * 12/2012 Lee D6/315
 D678,754 S 3/2013 Burr
 8,398,048 B2 3/2013 Popkin
 8,418,975 B1 4/2013 Burr
 D707,535 S 6/2014 Burr
 8,844,886 B2 9/2014 Mejia
 D718,063 S * 11/2014 Lee D6/315
 D743,179 S * 11/2015 Barker D6/326
 D767,289 S * 9/2016 Taylor D6/323
 D771,403 S * 11/2016 Matthews D6/513
 D774,317 S * 12/2016 Taylor D6/323
 9,581,183 B2 2/2017 Lajewardi
 D793,747 S * 8/2017 Taylor D6/323
 D798,694 S 10/2017 Shoenhair
 9,775,450 B2 10/2017 Will
 D805,372 S 12/2017 Shoenhair
 D805,373 S 12/2017 Shoenhair
 D805,374 S 12/2017 Shoenhair
 D808,779 S 1/2018 Shoenhair
 D808,780 S 1/2018 Kim
 D811,755 S * 3/2018 Taylor D6/323
 D822,467 S 7/2018 Shoenhair
 D822,468 S 7/2018 Shoenhair
 D822,469 S 7/2018 Shoenhair
 D827,315 S * 9/2018 Taylor D6/323
 D829,538 S 10/2018 Kim
 D831,471 S 10/2018 Kim
 D834,338 S * 11/2018 Taylor D6/323
 10,143,316 B2 12/2018 Will
 10,197,087 B2 2/2019 Hargis
 10,197,217 B2 2/2019 Will
 D843,120 S * 3/2019 Taylor D6/323
 10,247,219 B2 4/2019 Lajewardi

10,258,180 B2 4/2019 Malott
 D852,611 S 7/2019 Shoenhair
 10,390,618 B2 8/2019 Will
 D860,659 S * 9/2019 Taylor D6/323
 D863,792 S * 10/2019 Ho D6/318
 10,428,859 B2 10/2019 Falkenstein
 D867,770 S * 11/2019 Wright D6/319
 D870,471 S * 12/2019 Kariker D6/326
 D878,063 S * 3/2020 Yau D6/326
 D885,909 S * 6/2020 Franzone, Jr. D9/455
 D901,909 S * 11/2020 Yau D6/326
 D919,419 S * 5/2021 Wei D8/367
 D925,816 S * 7/2021 Geesaman D26/51
 D927,865 S * 8/2021 Rhyner D6/315
 D942,764 S * 2/2022 Chorobik D6/319
 2010/0224749 A1 9/2010 Tran
 2013/0015215 A1 * 1/2013 Coote A47G 25/743
 29/428
 2016/0058208 A1 * 3/2016 Strassburger A47F 5/0006
 248/317
 2016/0058210 A1 * 3/2016 Strassburger A47F 7/02
 248/340
 2017/0000270 A1 1/2017 Will
 2017/0002973 A1 1/2017 Will
 2017/0002974 A1 1/2017 Will
 2017/0112281 A1 4/2017 Malott
 2017/0112282 A1 4/2017 Will
 2017/0127867 A1 5/2017 Malott
 2017/0143121 A1 5/2017 Grice
 2017/0231388 A1 8/2017 Will
 2017/0347812 A1 12/2017 Will
 2018/0180080 A1 6/2018 Grice
 2019/0142188 A1 5/2019 Will
 2019/0162361 A1 5/2019 Will

OTHER PUBLICATIONS

“Manufacturing Plastic Display Hooks”, Sep. 29, 2018, Entheos.co.uk, site visited Feb. 15, 2022: <https://web.archive.org/web/20180929151409/http://www.entheos.co.uk/index.php> (Year: 2018).*
 Photo of Nanette Bath Plastic Hanger, believed to be known prior to Dec. 13, 2019, 1 page.
 Photo of Target Plastic Hanger, believed to be known prior to Dec. 13, 2019, 1 page.

* cited by examiner

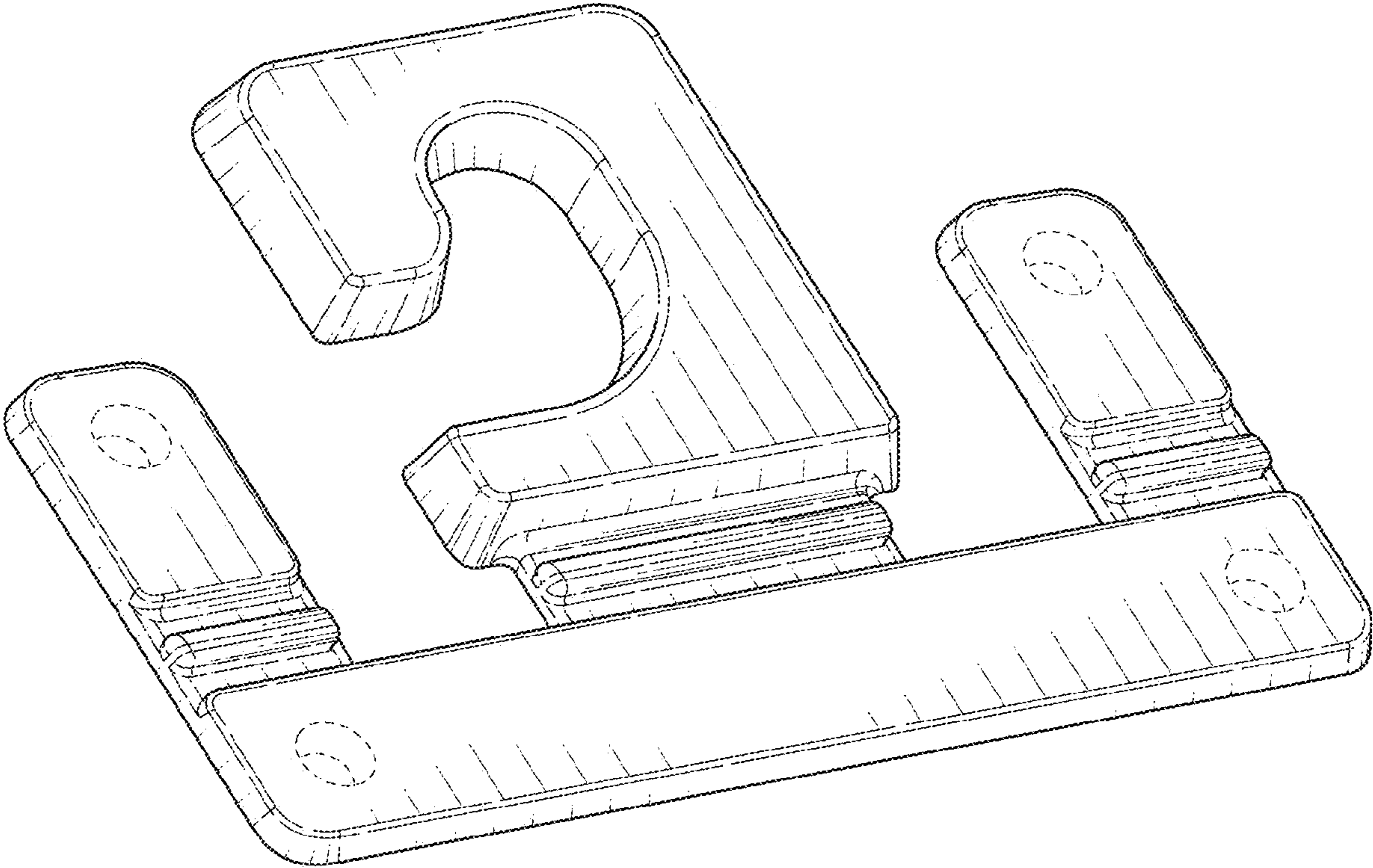


FIG. 1

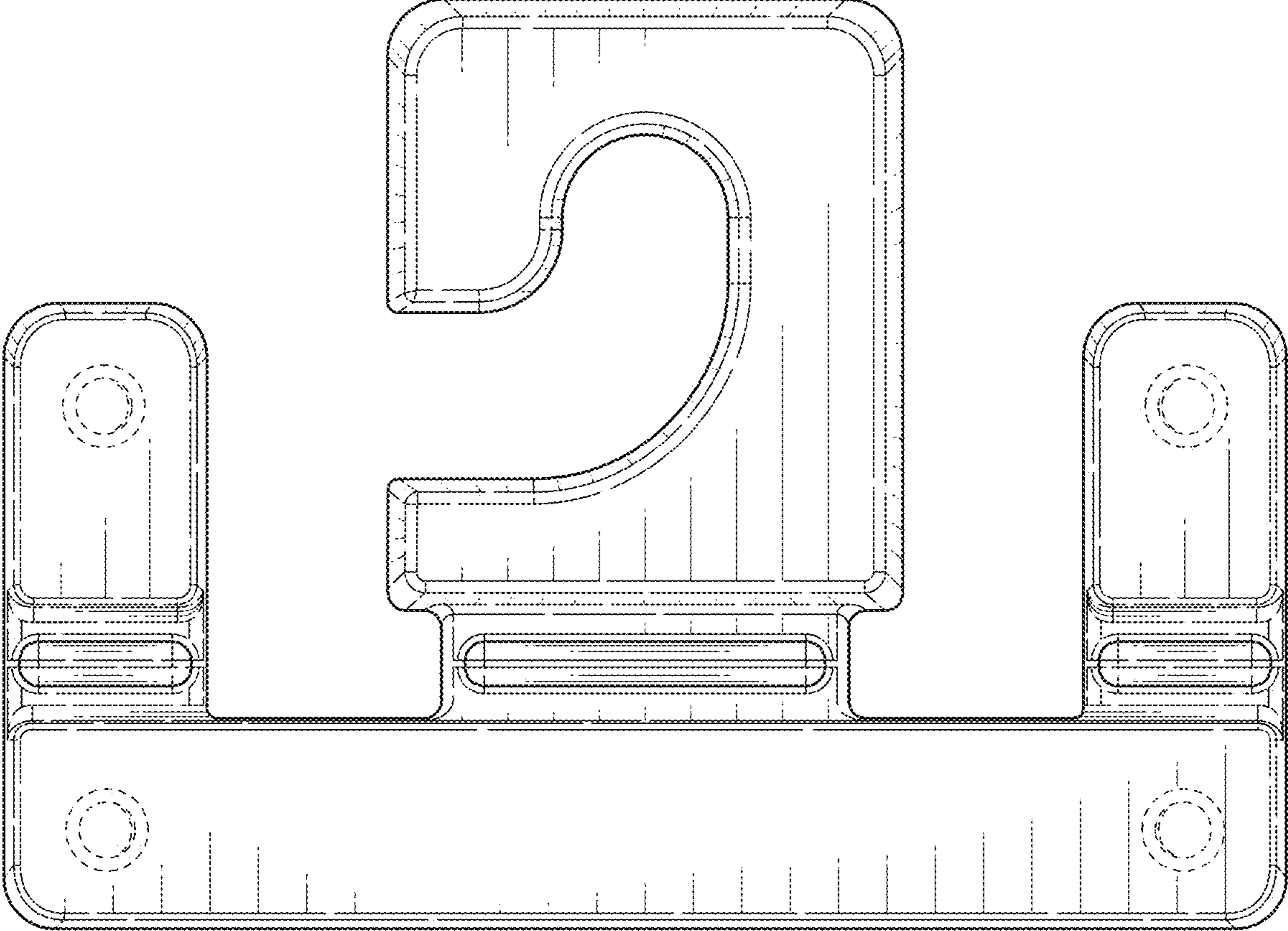


FIG. 2

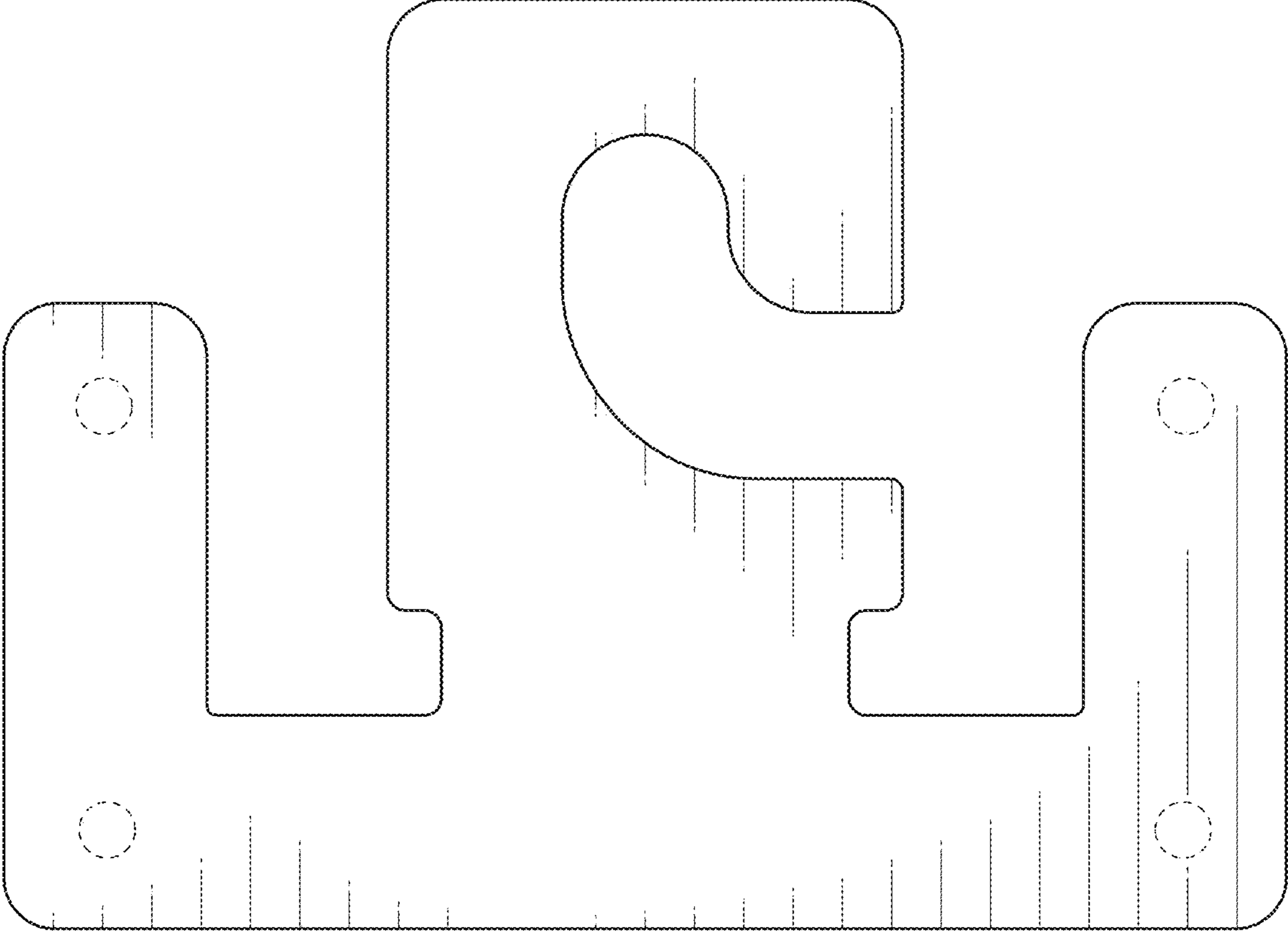


FIG. 3

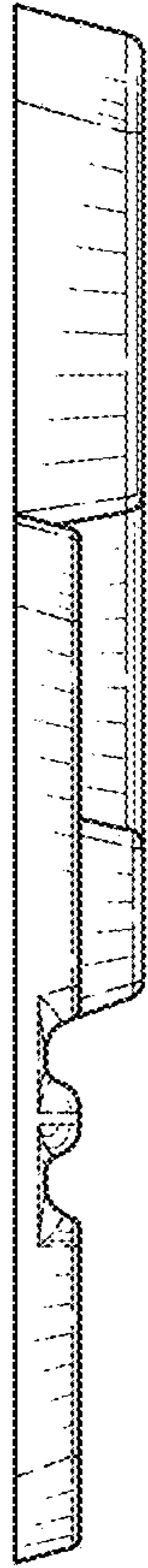


FIG. 4

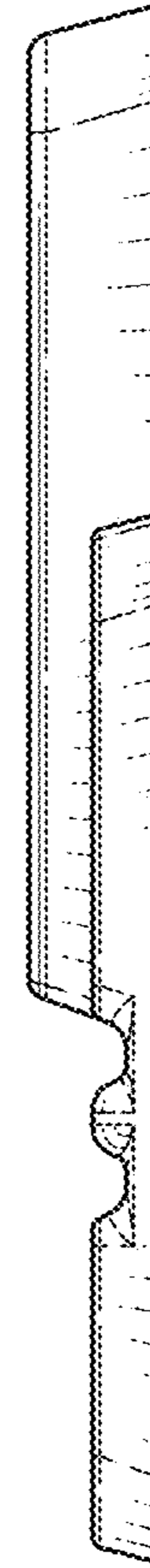


FIG. 5

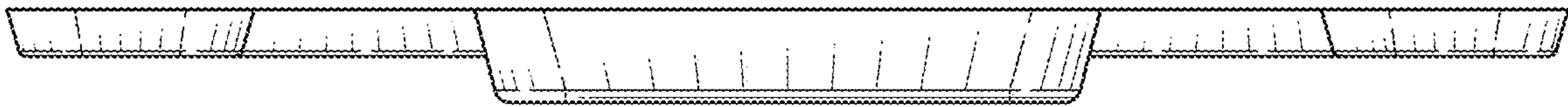


FIG. 6



FIG. 7