



US00D956551S

(12) **United States Design Patent**
Altman

(10) **Patent No.:** **US D956,551 S**
(45) **Date of Patent:** **** Jul. 5, 2022**

(54) **CHILD-RESISTANT CONTAINER ASSEMBLY**

(71) Applicant: **RIPA, LLC**, Broadview, IL (US)

(72) Inventor: **Jason Altman**, Los Angeles, CA (US)

(73) Assignee: **RIPA, LLC**, Broadview, IL (US)

(**) Term: **15 Years**

(21) Appl. No.: **29/731,562**

(22) Filed: **Apr. 16, 2020**

(51) **LOC (13) Cl.** **09-03**

(52) **U.S. Cl.**
USPC **D9/432**

(58) **Field of Classification Search**
USPC D9/413-435, 721, 737, 20, 101, 172,
D9/175, 185, 186, 187, 207, 208, 247,
D9/249, 456, 652, 717, 341, 346, 339,
D9/732
CPC B65D 75/367; B65D 5/44; B65D 5/66;
B65D 43/20; B65D 2585/56; B65D
2215/00-08
See application file for complete search history.

(56) **References Cited**

U.S. PATENT DOCUMENTS

D913,785 S *	3/2021	Kelly	D9/432
D922,195 S *	6/2021	Altman	D9/432
2004/0099565 A1 *	5/2004	Dehlin	B65D 5/38 206/536
2006/0131205 A1 *	6/2006	Sandberg	B65D 83/0463 206/538
2007/0181458 A1 *	8/2007	Ehrlund	B65D 5/38 206/528
2008/0156686 A1 *	7/2008	Hluchan	B65D 5/38 206/528
2011/0132779 A1 *	6/2011	Loughman	B65D 5/4204 229/125.125

(Continued)

OTHER PUBLICATIONS

Child Proof Vape Cartridge Packaging Child Resistant Vape Packaging Custom Packaging Pro. [online] First available 2021. 3 pages. Retrieved Jan. 7, 2022 from URL: <https://custompackagingpro.com/product/child-proof-vape-cartridge-packaging> (Year: 2021).*

(Continued)

Primary Examiner — Vy N Koenig

Assistant Examiner — Anastasia E Longoria

(74) *Attorney, Agent, or Firm* — Nixon Peabody LLP

(57) **CLAIM**

The ornamental design for a child-resistant container assembly, as shown and described.

DESCRIPTION

FIG. 1 is a top perspective view of a child-resistant container assembly.

FIG. 2 is a top plan view of the child-resistant container assembly of FIG. 1.

FIG. 3 is a bottom plan view of the child-resistant container assembly of FIG. 1.

FIG. 4 is a first side view of the child-resistant container assembly of FIG. 1.

FIG. 5 is a second side view, which is opposite of the first side view of FIG. 4.

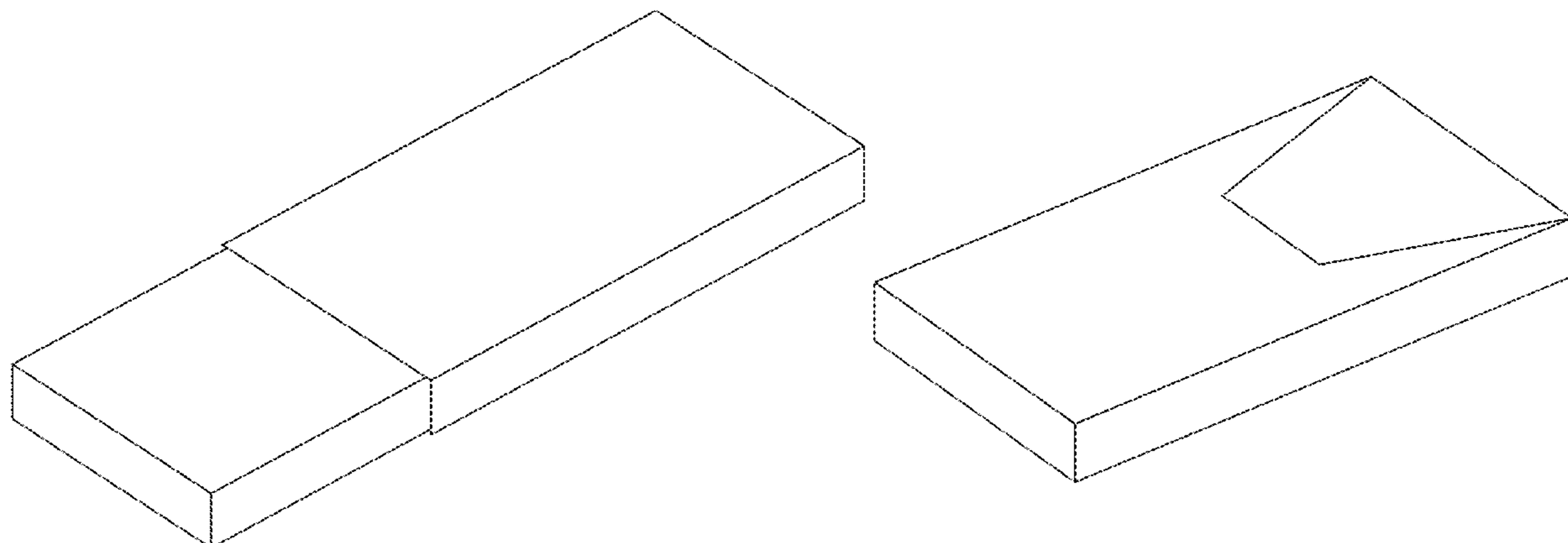
FIG. 6 is a first end view of the child-resistant container assembly of FIG. 1.

FIG. 7 is a second end view, which is opposite of the first end view of FIG. 6.

FIG. 8 is a top perspective view of the inner component depicted on the left side of the child-resistant container assembly of FIG. 1, shown separately to reveal aspects of the design that may not be apparent in other views; and,

FIG. 9 is a bottom perspective view of the inner component of FIG. 8.

1 Claim, 5 Drawing Sheets



(56)

References Cited

U.S. PATENT DOCUMENTS

2016/0251107 A1* 9/2016 Everett B65D 59/04
206/1.5
2017/0217658 A1* 8/2017 Whitehurst B65D 5/38
2017/0349362 A1* 12/2017 Chatelain B65D 85/1009
2018/0072452 A1* 3/2018 Chambers B65D 5/541
2019/0062023 A1* 2/2019 Lantz B65D 75/327
2019/0119001 A1* 4/2019 Berger B65D 25/04
2020/0102113 A1* 4/2020 Laughlin B65D 5/38
2020/0180808 A1* 6/2020 Gauvin B65D 5/38
2020/0262618 A1* 8/2020 Nelson B65D 5/38
2021/0016939 A1* 1/2021 Palmer B65D 5/38
2021/0031969 A1* 2/2021 Fahlke B65D 5/38
2021/0107712 A1* 4/2021 Chambers B65D 50/066
2021/0323719 A1* 10/2021 Altman B65D 5/38

OTHER PUBLICATIONS

Child Resistant (Proof) Vape Cartridge Boxes, Custom Printed Packaging—Packmoo. [online] First available 2021. 3 pages. Retrieved Jan. 7, 2022 from URL: <<https://packmoo.com/product/child-resistant-vape-cartridge/>> (Year: 2021).*

Wholesale Child Resistant Boxes _ Custom Printed Child Resistant Packaging Boxes. [online] First available 2021. 3 pages. Retrieved Jan. 7, 2022 from URL: <<https://www.emenacpackaging.com/product-description/child-resistant-boxes/>> (Year: 2021).*

* cited by examiner

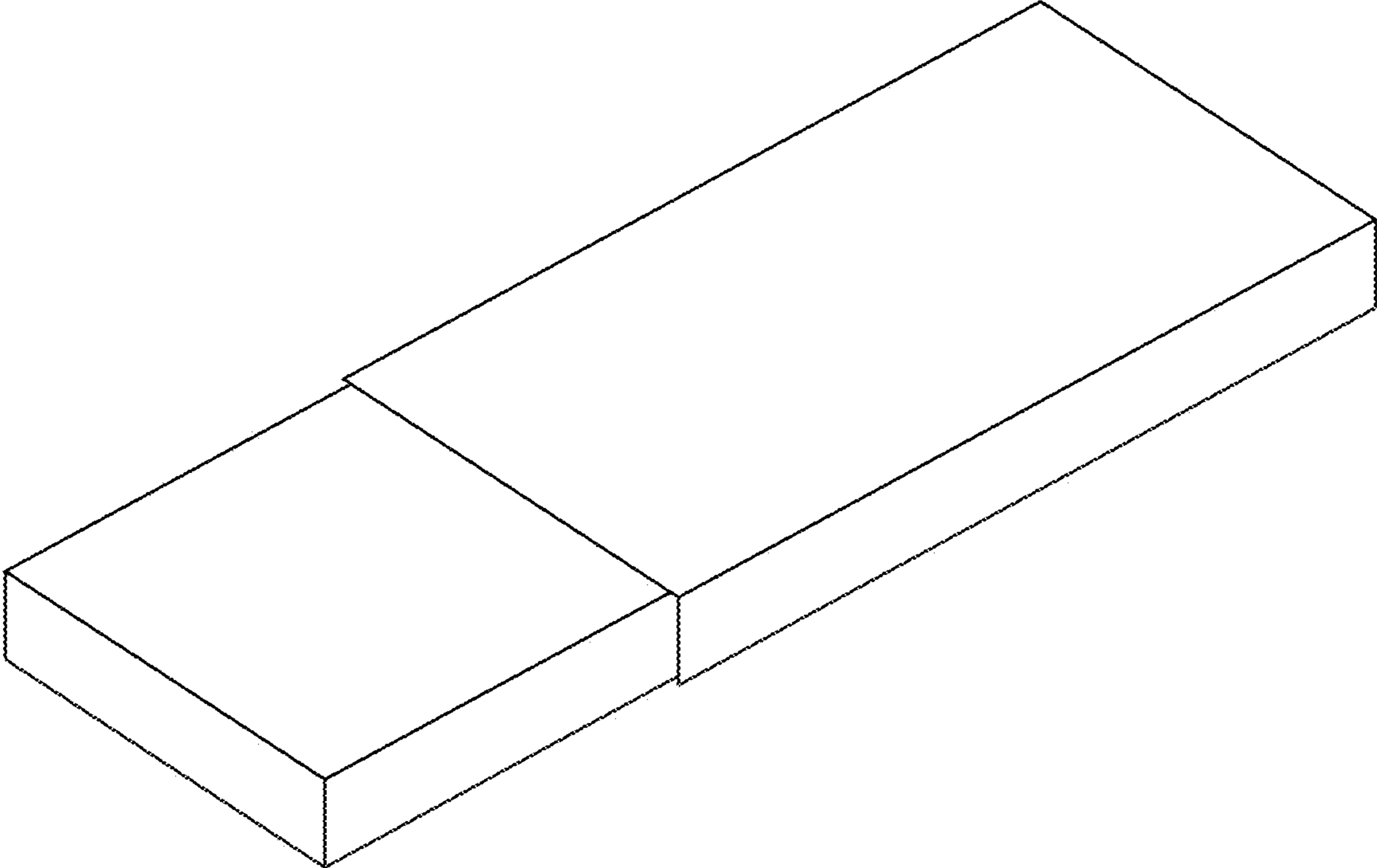


Fig. 1

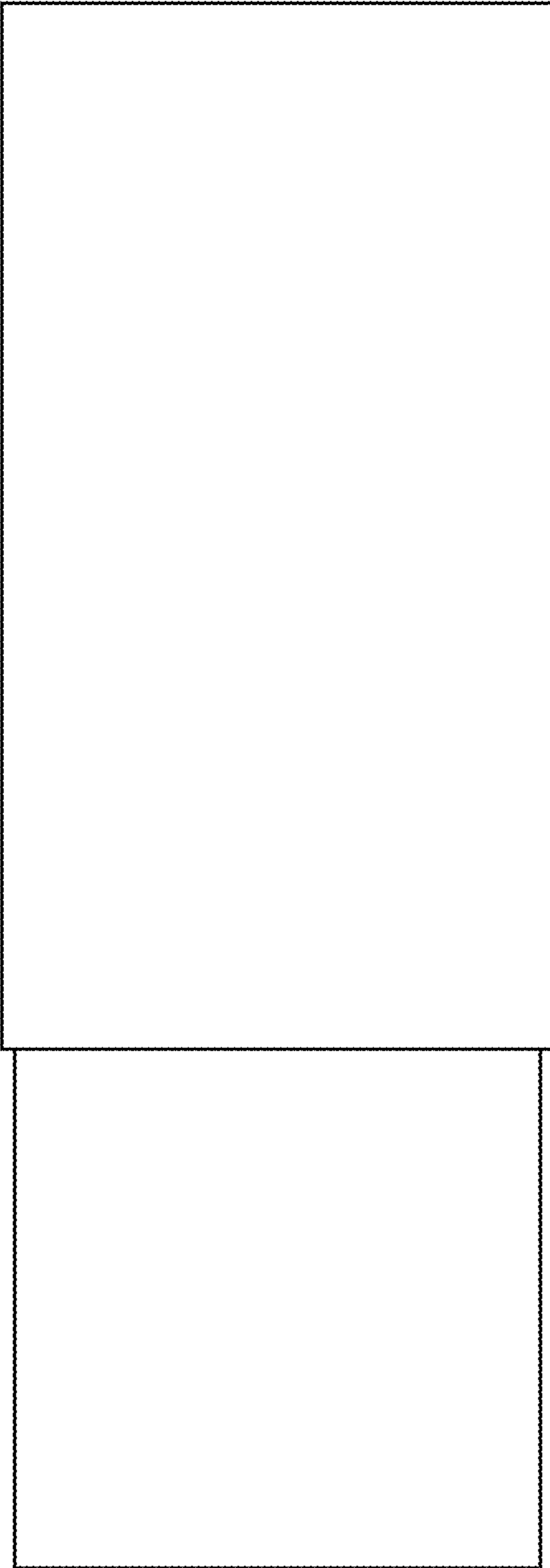


Fig. 2

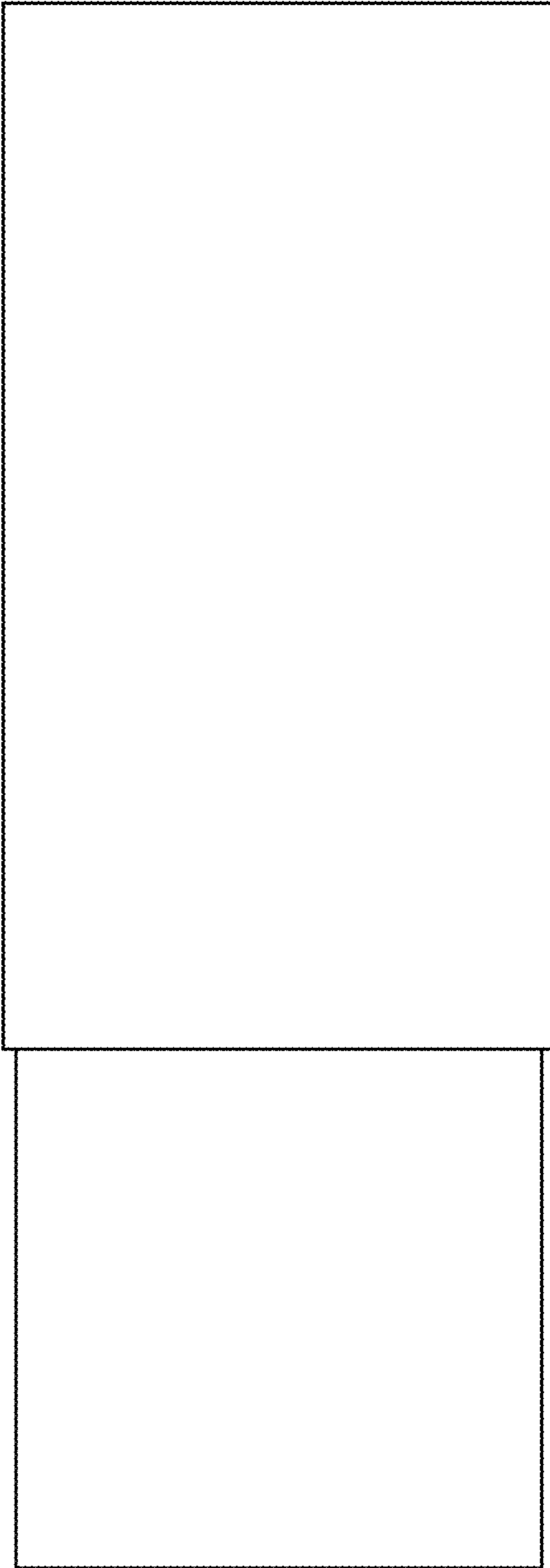


Fig. 3

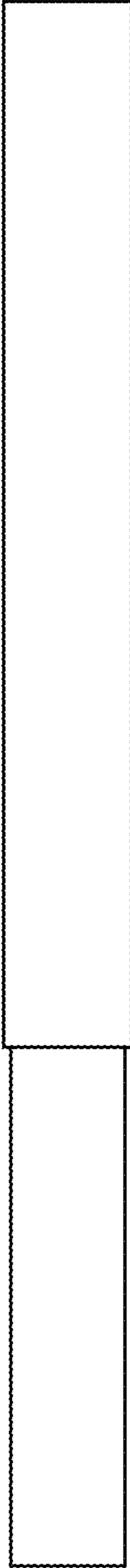


Fig. 4

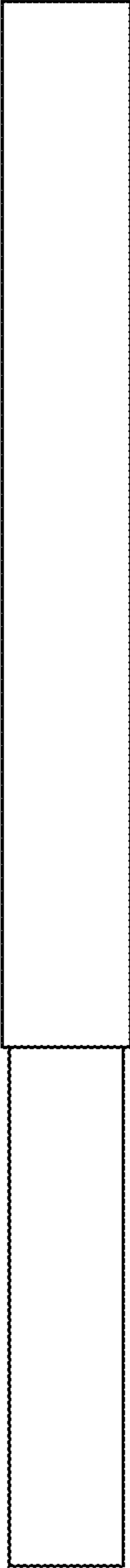


Fig. 5



Fig. 6



Fig. 7

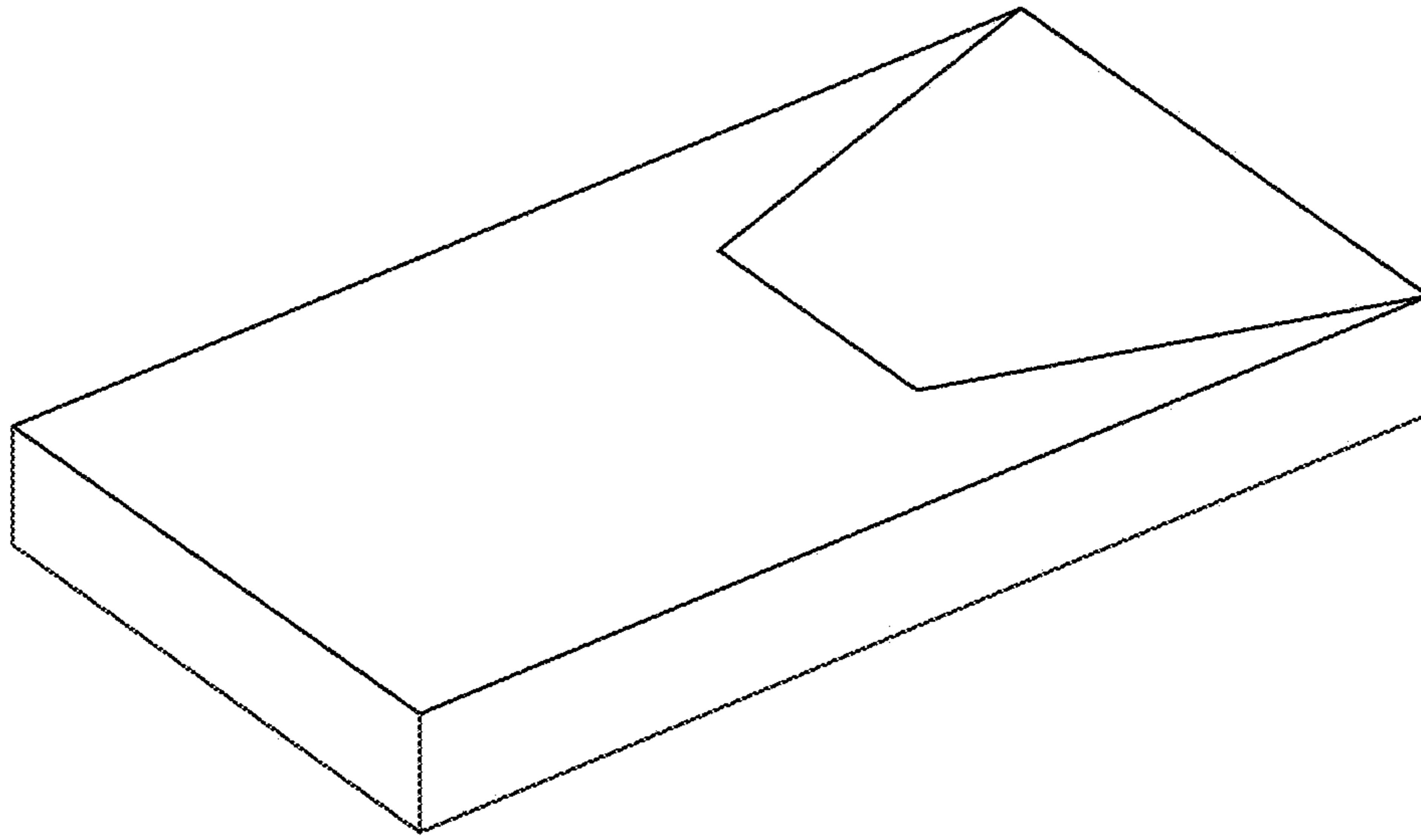


Fig. 8

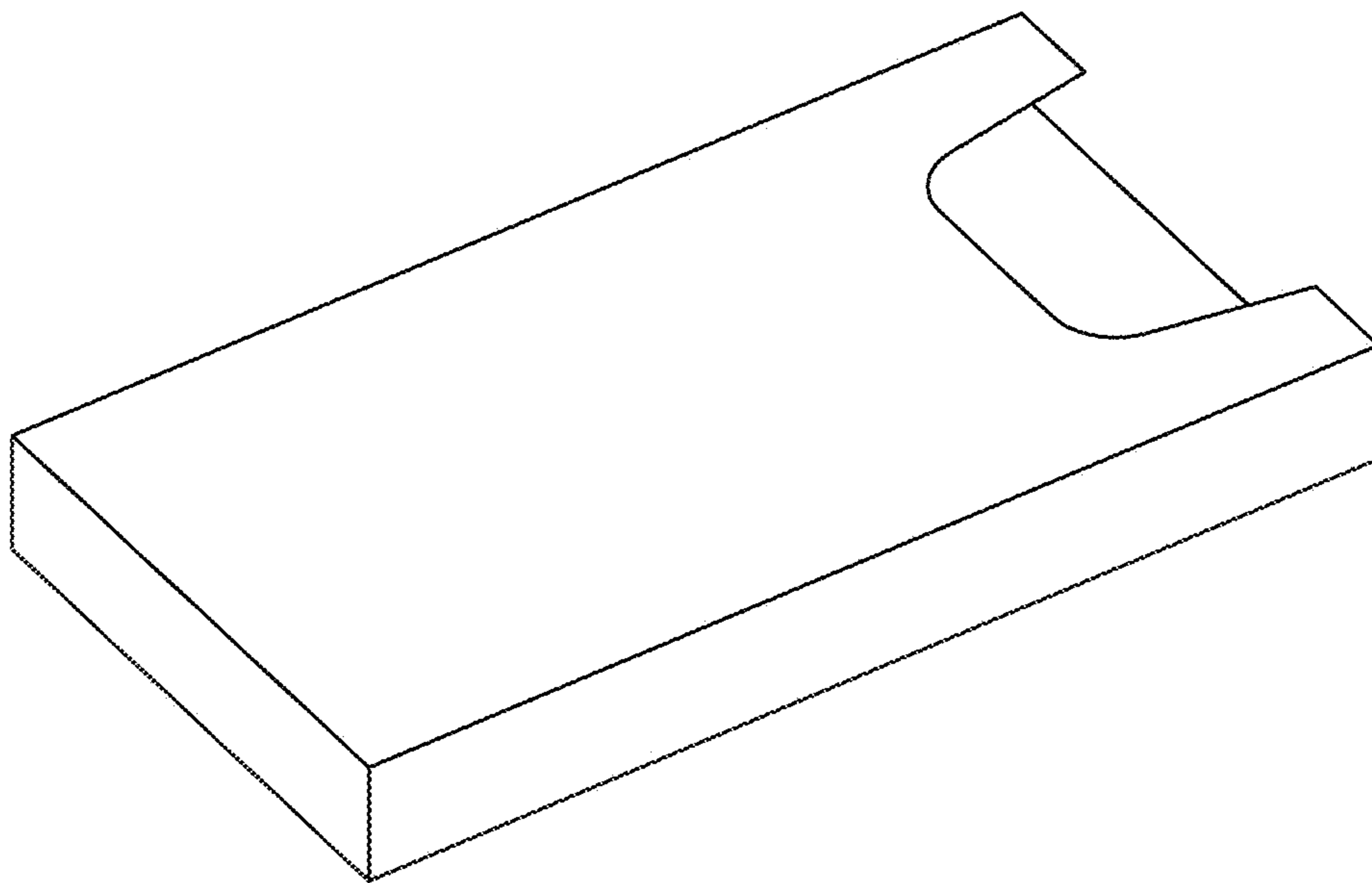


Fig. 9