



US00D956550S

(12) **United States Design Patent** (10) **Patent No.:** **US D956,550 S**
Brivois (45) **Date of Patent:** **** Jul. 5, 2022**

(54) **CAPSULE**

(71) Applicant: **BRAIN CORP S.A.**, Schiffange (LU)

(72) Inventor: **Olivier Brivois**, Differdange (LU)

(**) Term: **15 Years**

(21) Appl. No.: **35/511,241**

(22) Filed: **Jan. 5, 2021**

(80) **Hague Agreement Data**

Int. Filing Date: **Jan. 5, 2021**

Int. Reg. No.: **DM/212220**

Int. Reg. Date: **Jan. 5, 2021**

Int. Reg. Pub. Date: **Jan. 29, 2021**

(30) **Foreign Application Priority Data**

Aug. 3, 2020 (EM) 008070247-0001

(51) **LOC (13) Cl.** **09-03**

(52) **U.S. Cl.**
USPC **D9/416; D9/428**

(58) **Field of Classification Search**
USPC D9/416, 429, 428, 424, 500, 503;
D7/398, 397, 400, 399, 387
CPC B65D 85/804; B65D 85/8043; B65D
85/8046

See application file for complete search history.

(56) **References Cited**

U.S. PATENT DOCUMENTS

D404,682	S	*	1/1999	Baran	D11/152
D708,057	S	*	7/2014	Hansen	D9/429
D796,898	S	*	9/2017	Robotti	D7/400
D826,053	S	*	8/2018	Schaling	D9/503
D922,866	S	*	6/2021	Kaye	D23/366
D927,264	S	*	8/2021	Remo	D7/630
D938,817	S	*	12/2021	Gort-Barten	D9/416
2021/0362941	A1	*	11/2021	Footz	B65D 85/8049

* cited by examiner

Primary Examiner — Michael A. Pratt

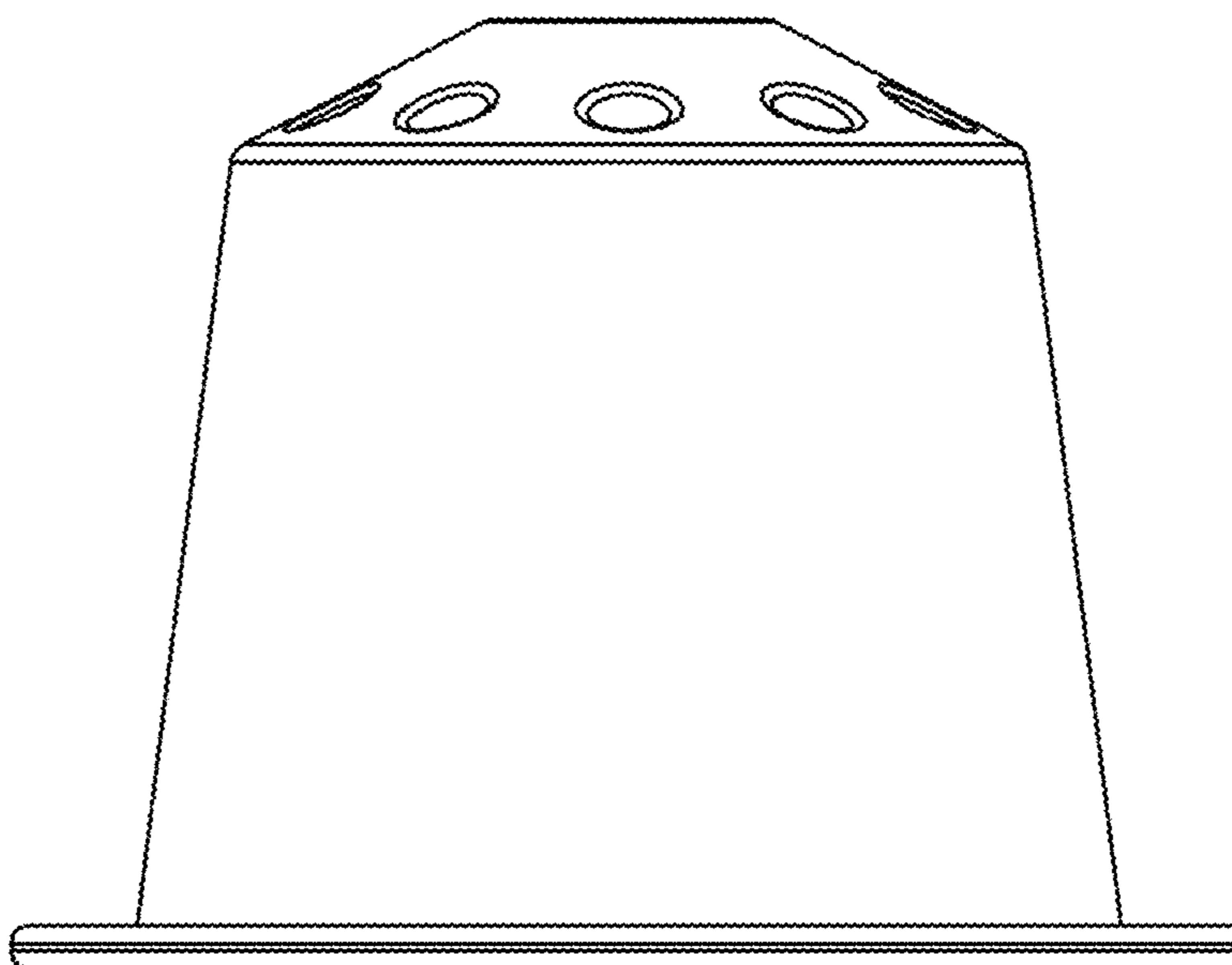
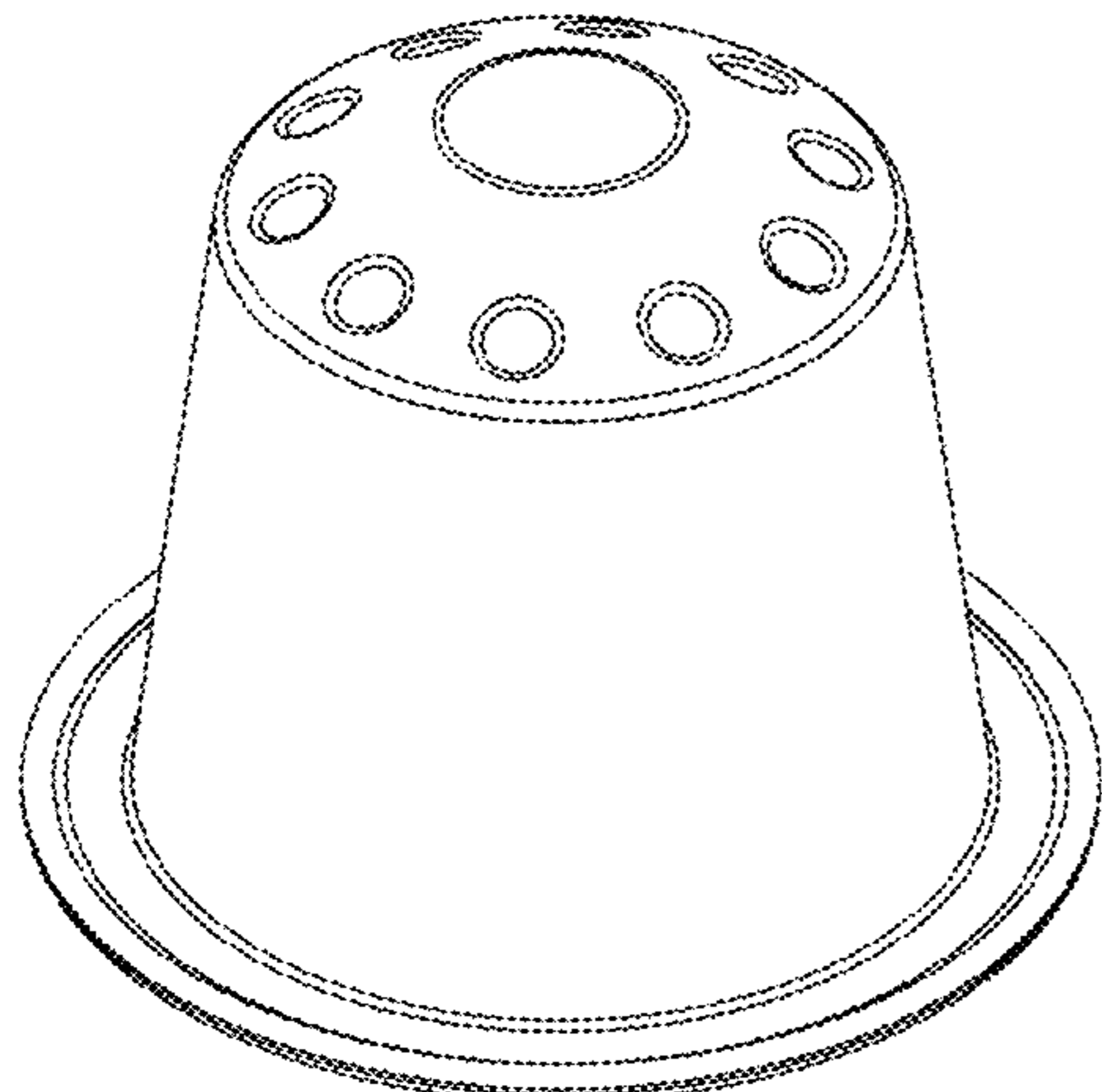
(57) **CLAIM**

The ornamental design for a capsule, as shown and described.

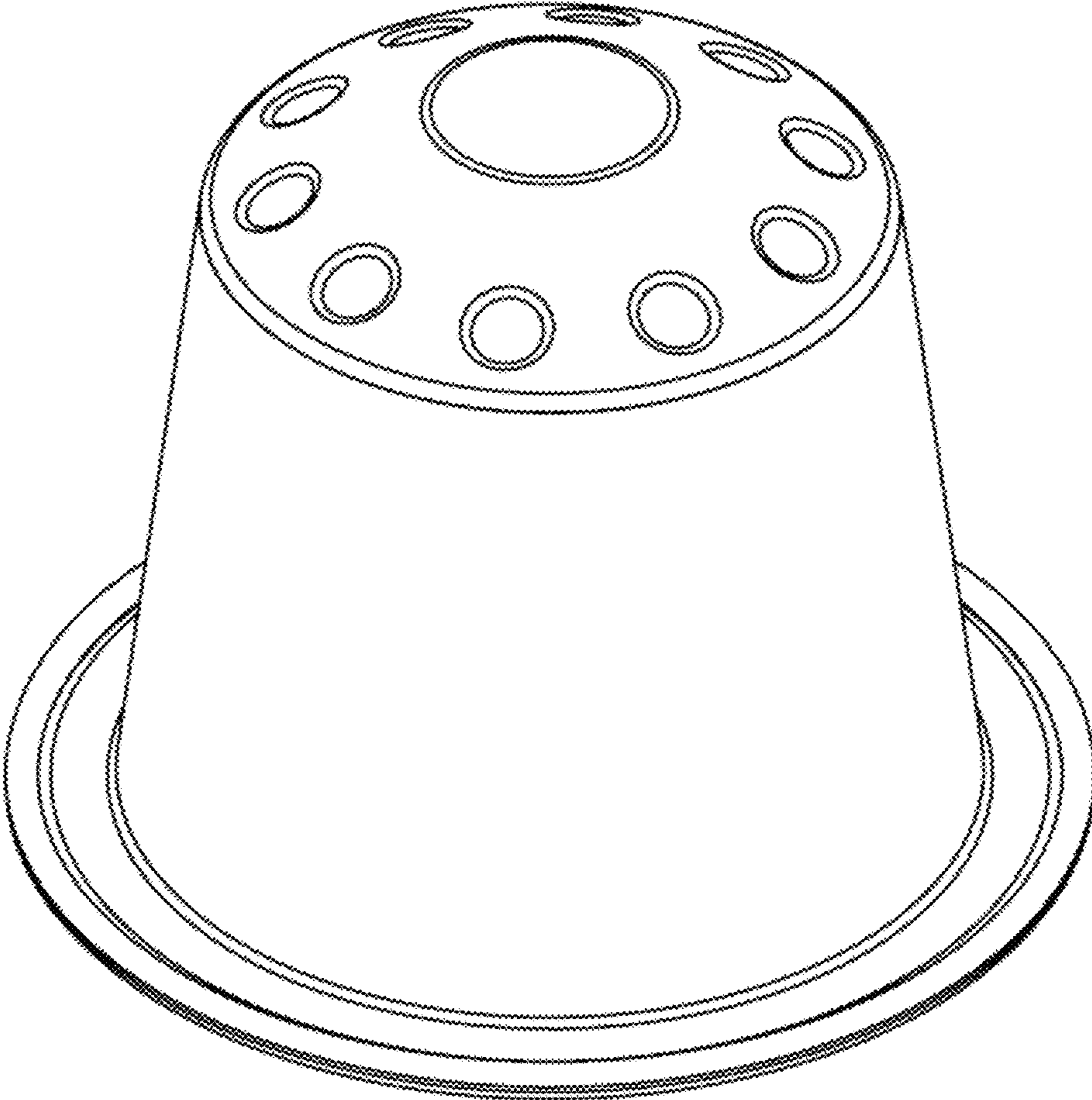
DESCRIPTION

- 1. Capsule
- Figure 1.1: Perspective
- 1.2: Perspective
- 1.3: Left
- 1.4: Right
- 1.5: Bottom
- 1.6: Top
- 1.7: Front

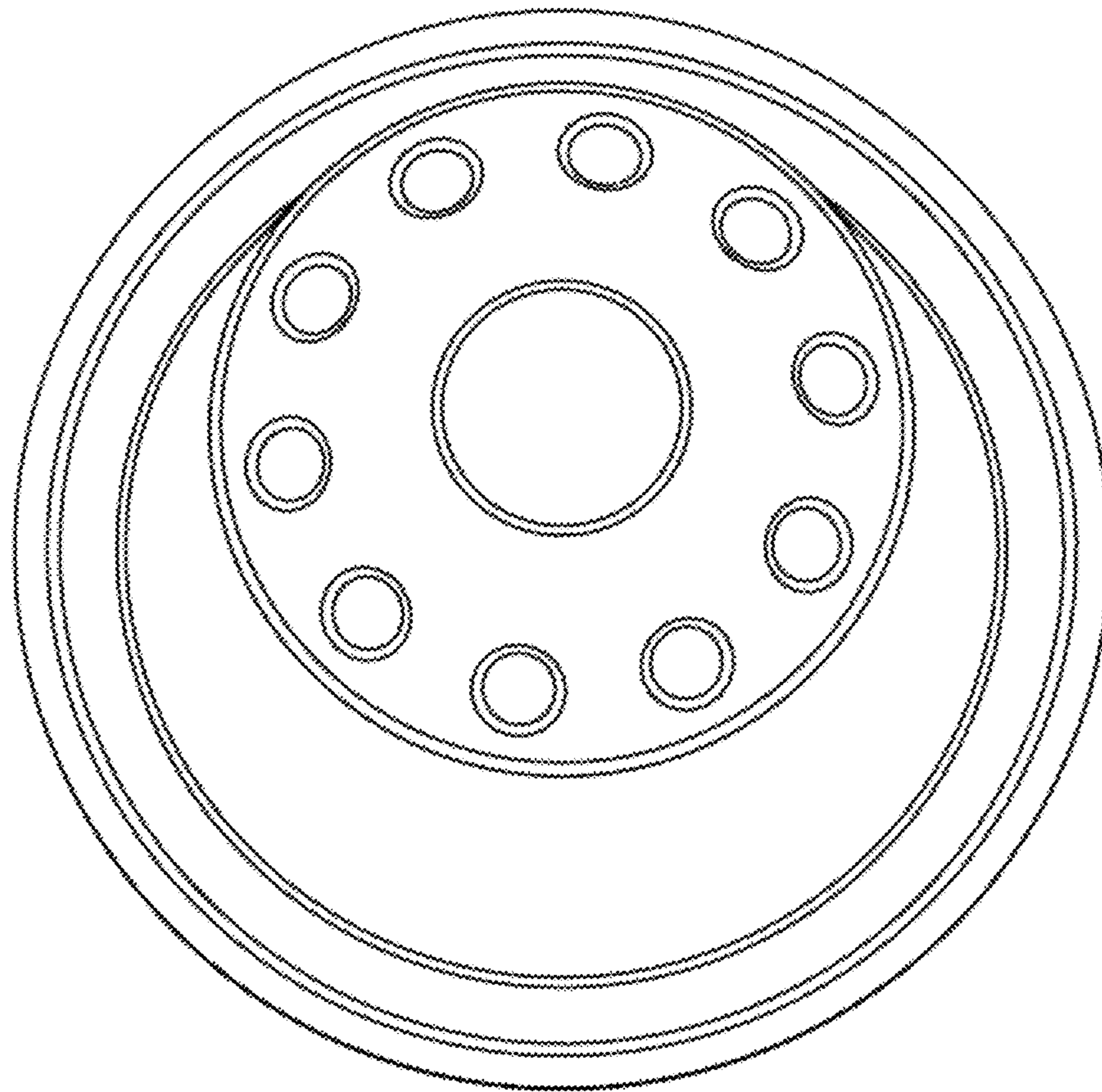
1 Claim, 7 Drawing Sheets



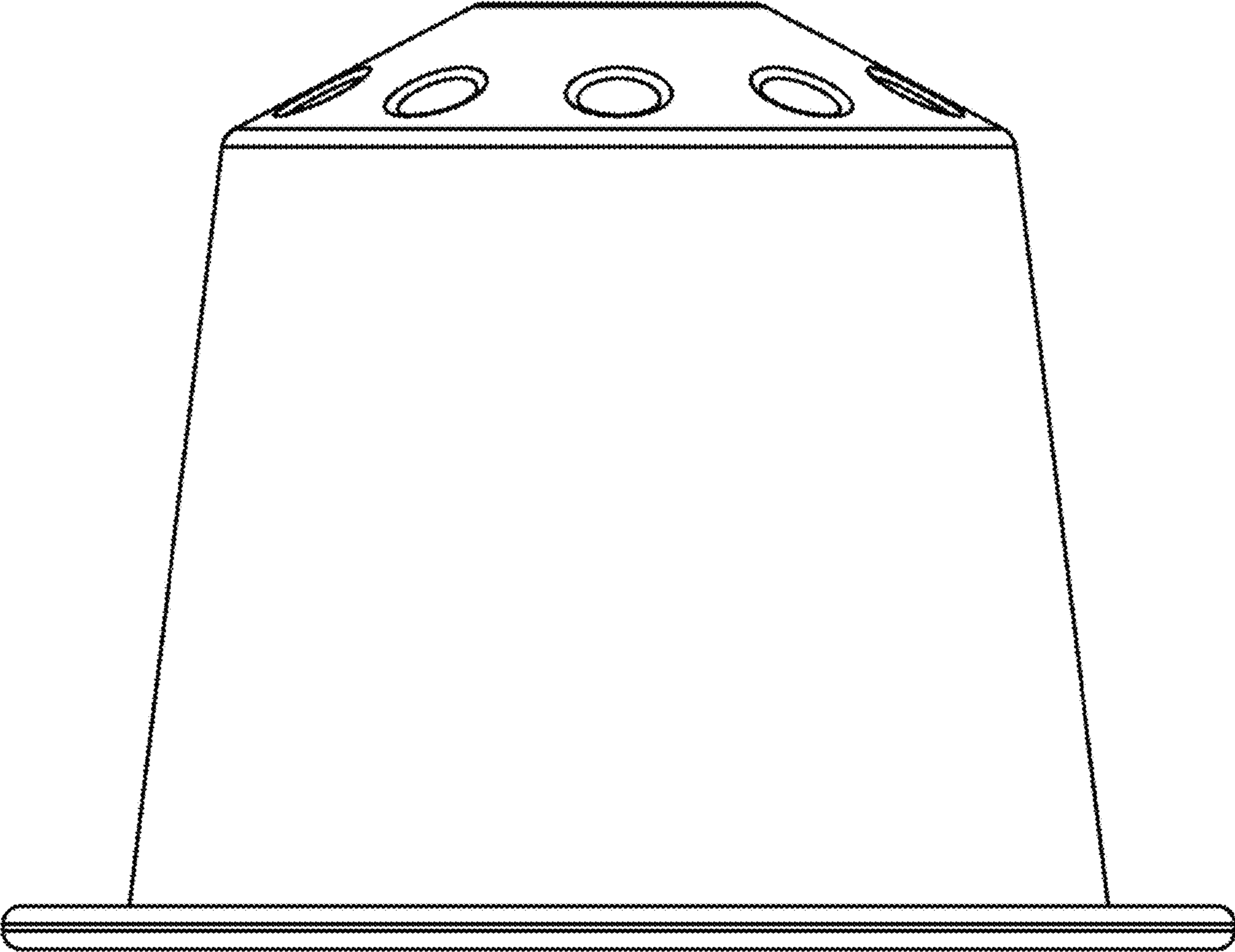
1.1



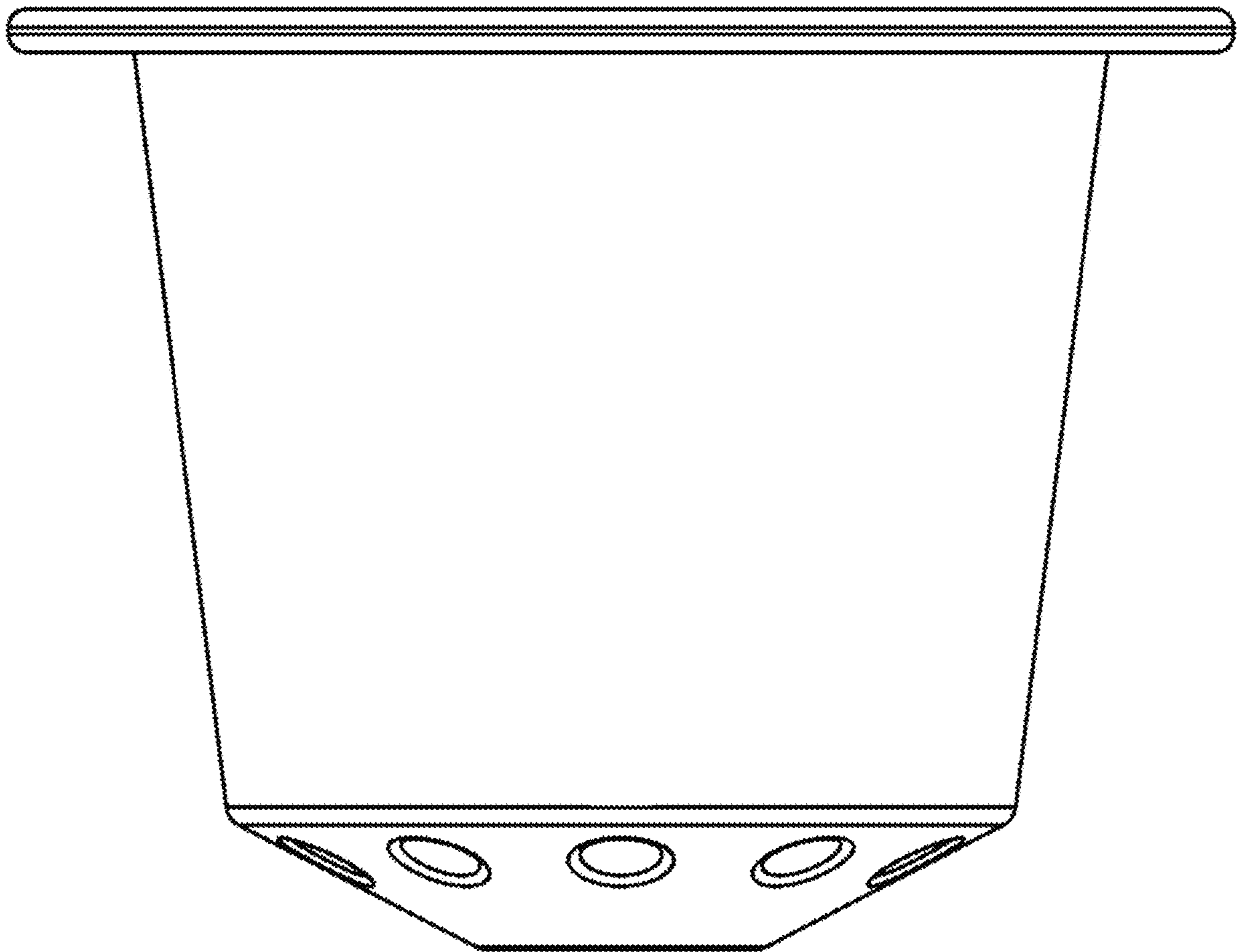
1.2



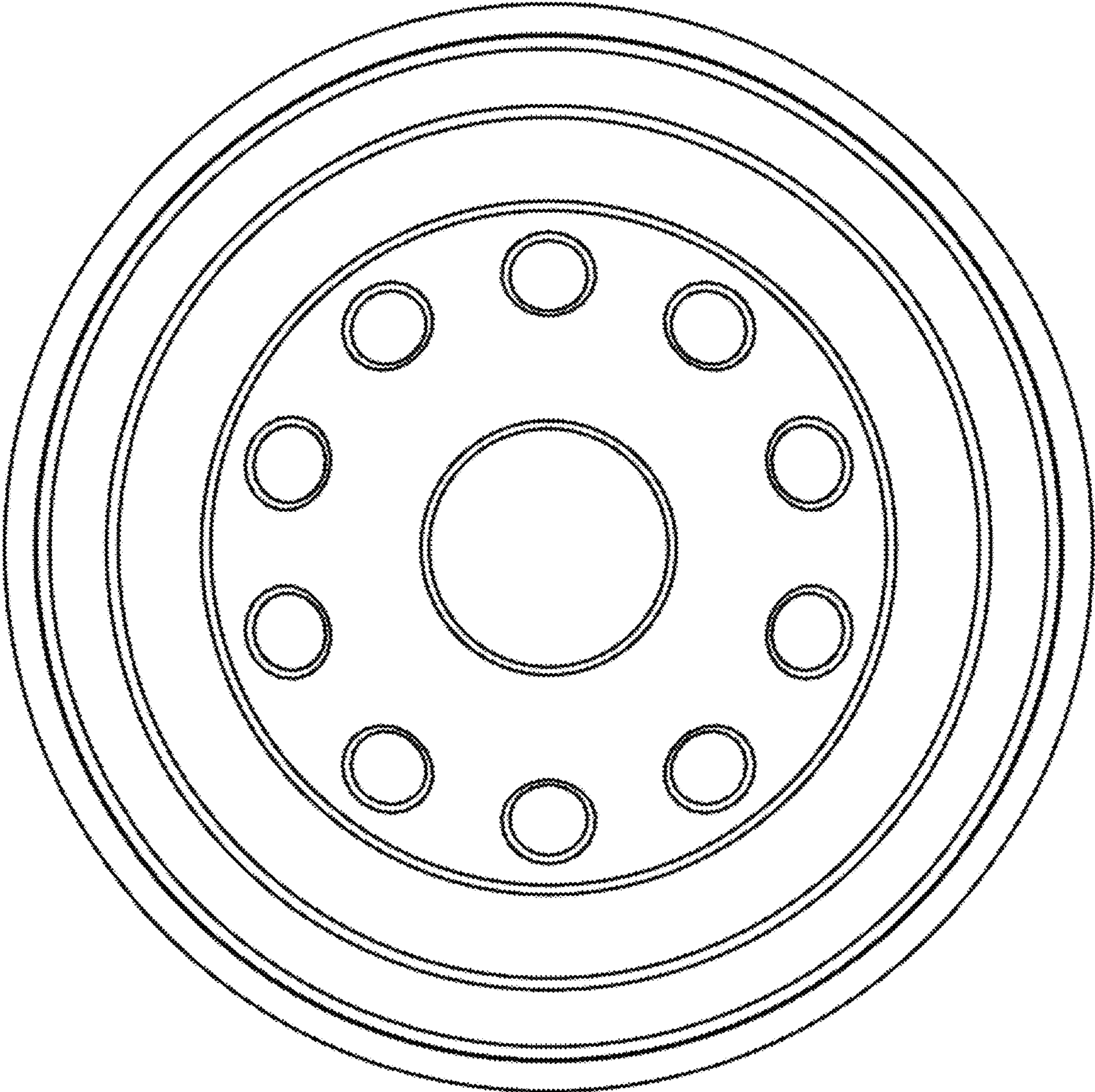
1.3



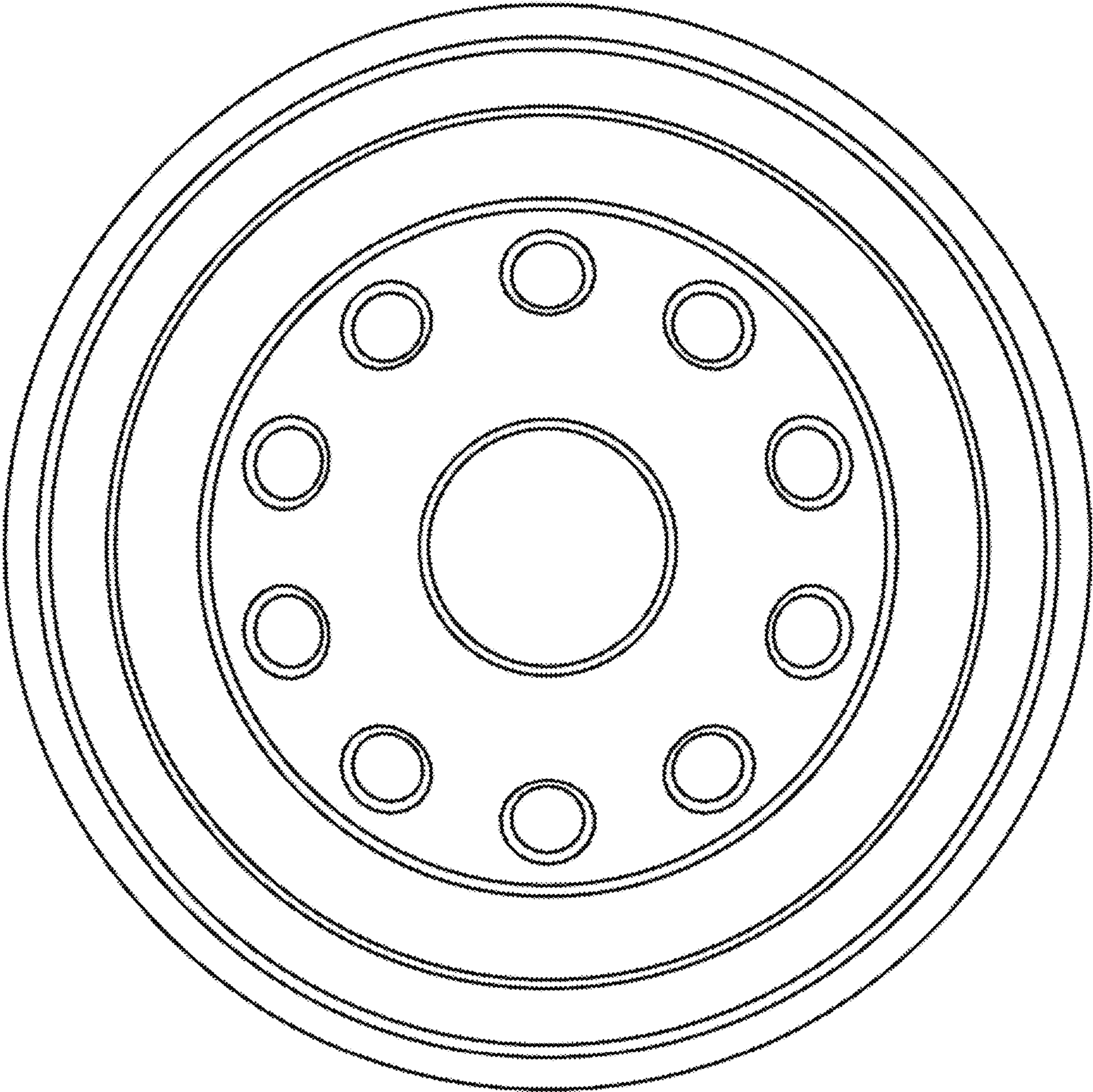
1.4



1.5



1.6



1.7

