



US00D956549S

(12) **United States Design Patent**  
**Brivois**

(10) **Patent No.:** **US D956,549 S**

(45) **Date of Patent:** **\*\* Jul. 5, 2022**

(54) **CAPSULE**

(71) Applicant: **BRAIN CORP S.A.**, Schiffange (LU)

(72) Inventor: **Olivier Brivois**, Differdange (LU)

(\*\*) Term: **15 Years**

(21) Appl. No.: **35/511,237**

(22) Filed: **Jan. 5, 2021**

(80) **Hague Agreement Data**

Int. Filing Date: **Jan. 5, 2021**

Int. Reg. No.: **DM/212213**

Int. Reg. Date: **Jan. 5, 2021**

Int. Reg. Pub. Date: **Jan. 29, 2021**

(30) **Foreign Application Priority Data**

Aug. 3, 2020 (EM) ..... 008070247-0002

(51) **LOC (13) Cl.** ..... **09-03**

(52) **U.S. Cl.**  
USPC ..... **D9/416; D9/428**

(58) **Field of Classification Search**  
USPC ..... D9/416, 429, 428, 424, 500, 503;  
D7/398, 397, 400, 399, 387  
CPC ..... B65D 85/804; B65D 85/8043; B65D  
85/8046

See application file for complete search history.

(56) **References Cited**

U.S. PATENT DOCUMENTS

|                   |         |             |       |                        |
|-------------------|---------|-------------|-------|------------------------|
| D859,978 S *      | 9/2019  | Barrett     | ..... | D9/428                 |
| D922,866 S *      | 6/2021  | Kaye        | ..... | D23/366                |
| D927,264 S *      | 8/2021  | Remo        | ..... | D7/630                 |
| D938,817 S *      | 12/2021 | Gort-Barten | ..... | D9/416                 |
| 2011/0303095 A1 * | 12/2011 | Fu          | ..... | B01D 39/16<br>99/317   |
| 2014/0356484 A1 * | 12/2014 | Capitani    | ..... | B65D 85/8043<br>426/77 |
| 2016/0045059 A1 * | 2/2016  | Cross       | ..... | A47J 31/407<br>426/112 |
| 2021/0362941 A1 * | 11/2021 | Footz       | ..... | B65D 85/8049           |

\* cited by examiner

*Primary Examiner* — Michael A. Pratt

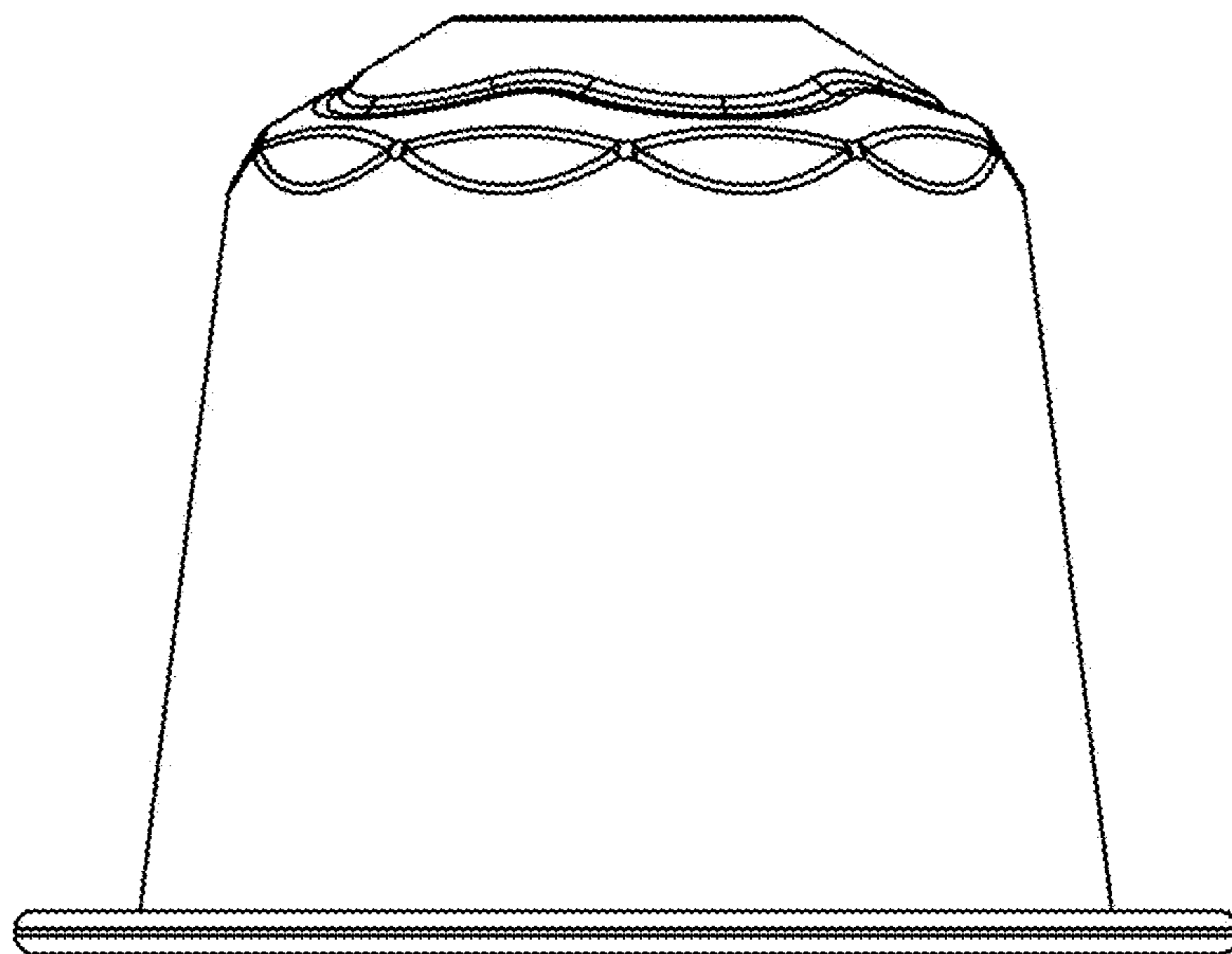
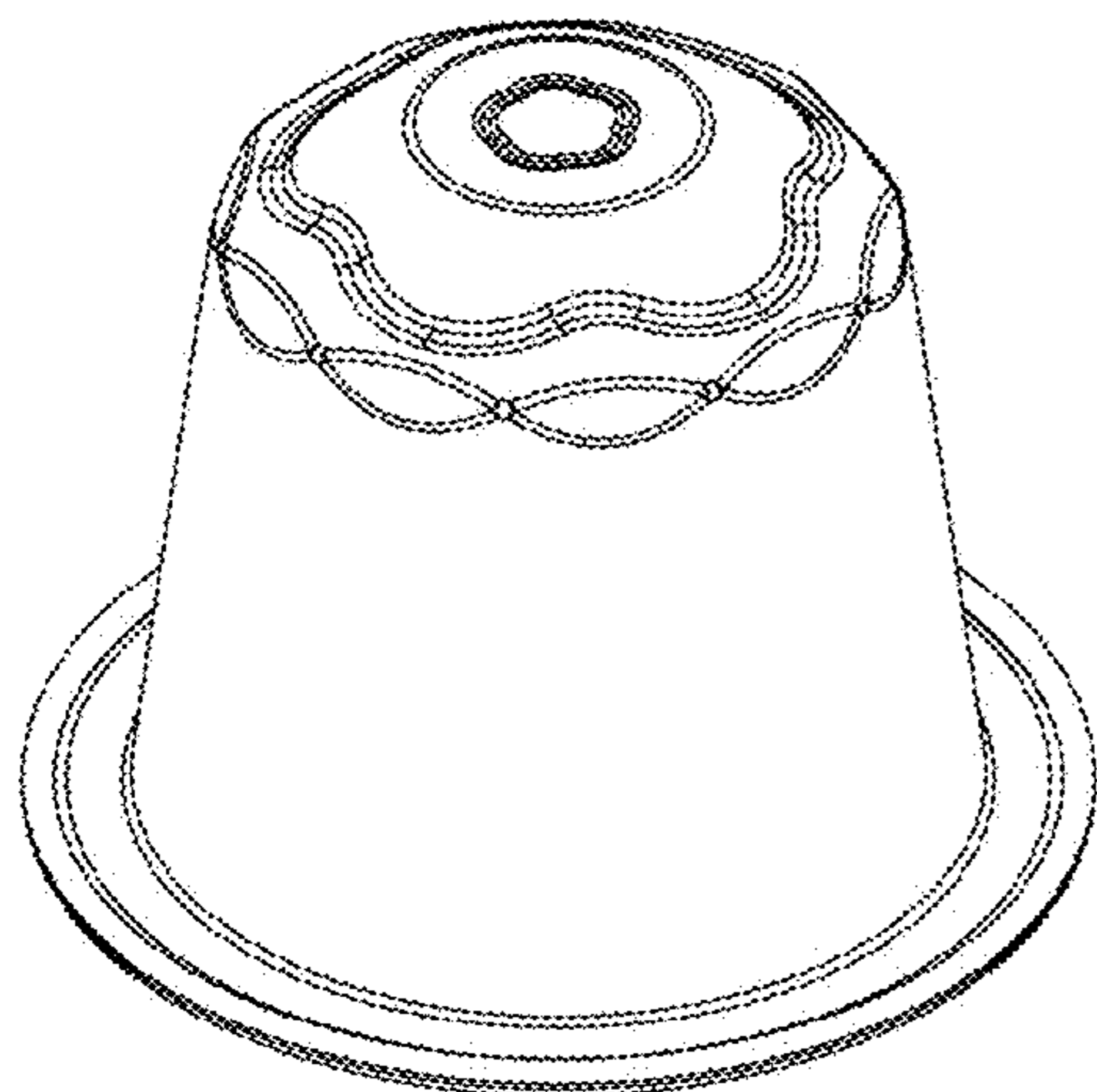
(57) **CLAIM**

The ornamental design for a capsule, as shown and described.

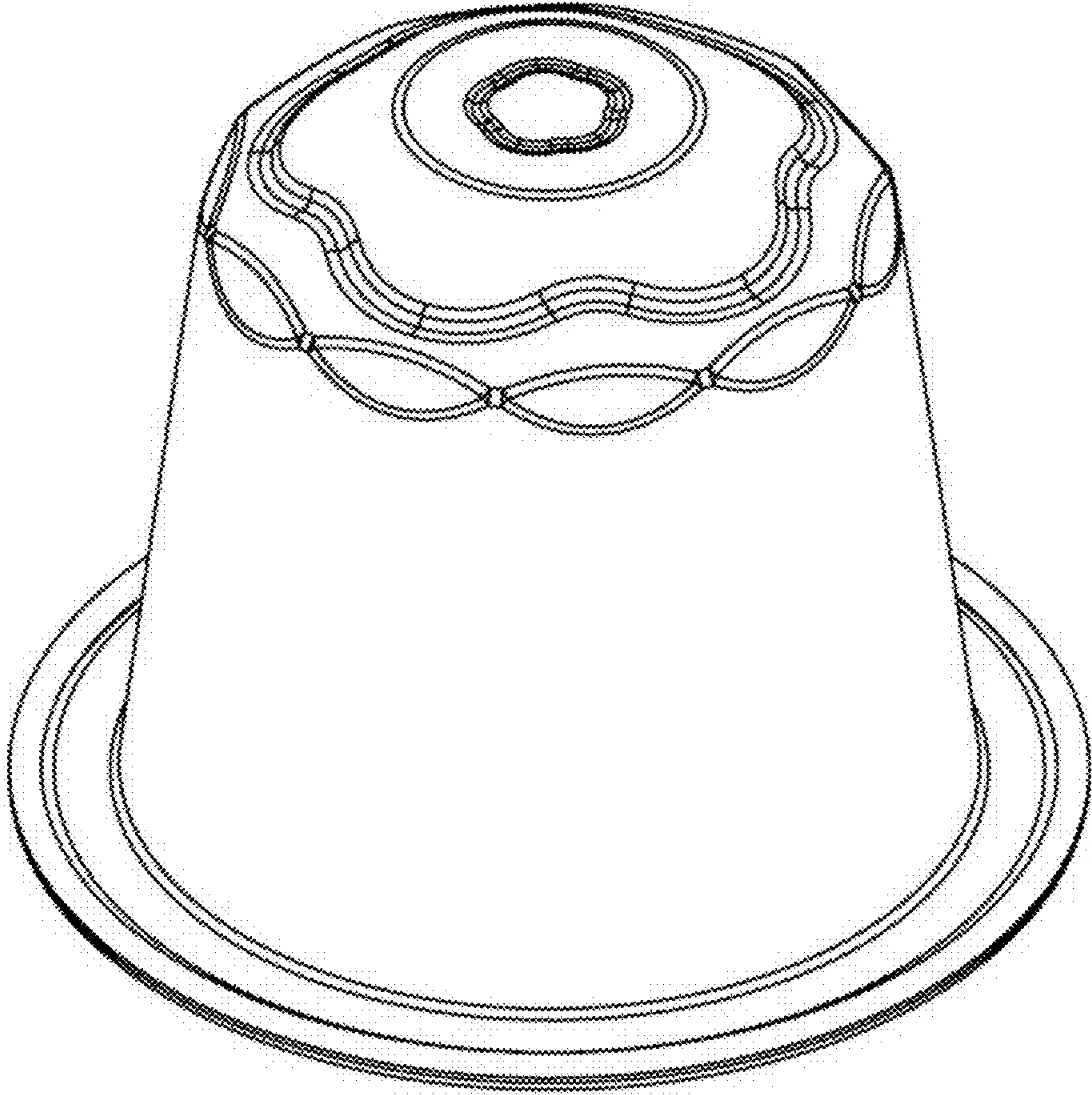
**DESCRIPTION**

- 1. Capsule
- Figure 1.1: Perspective
- 1.2: Perspective
- 1.3: Left
- 1.4: Right
- 1.5: Bottom
- 1.6: Top
- 1.7: Front

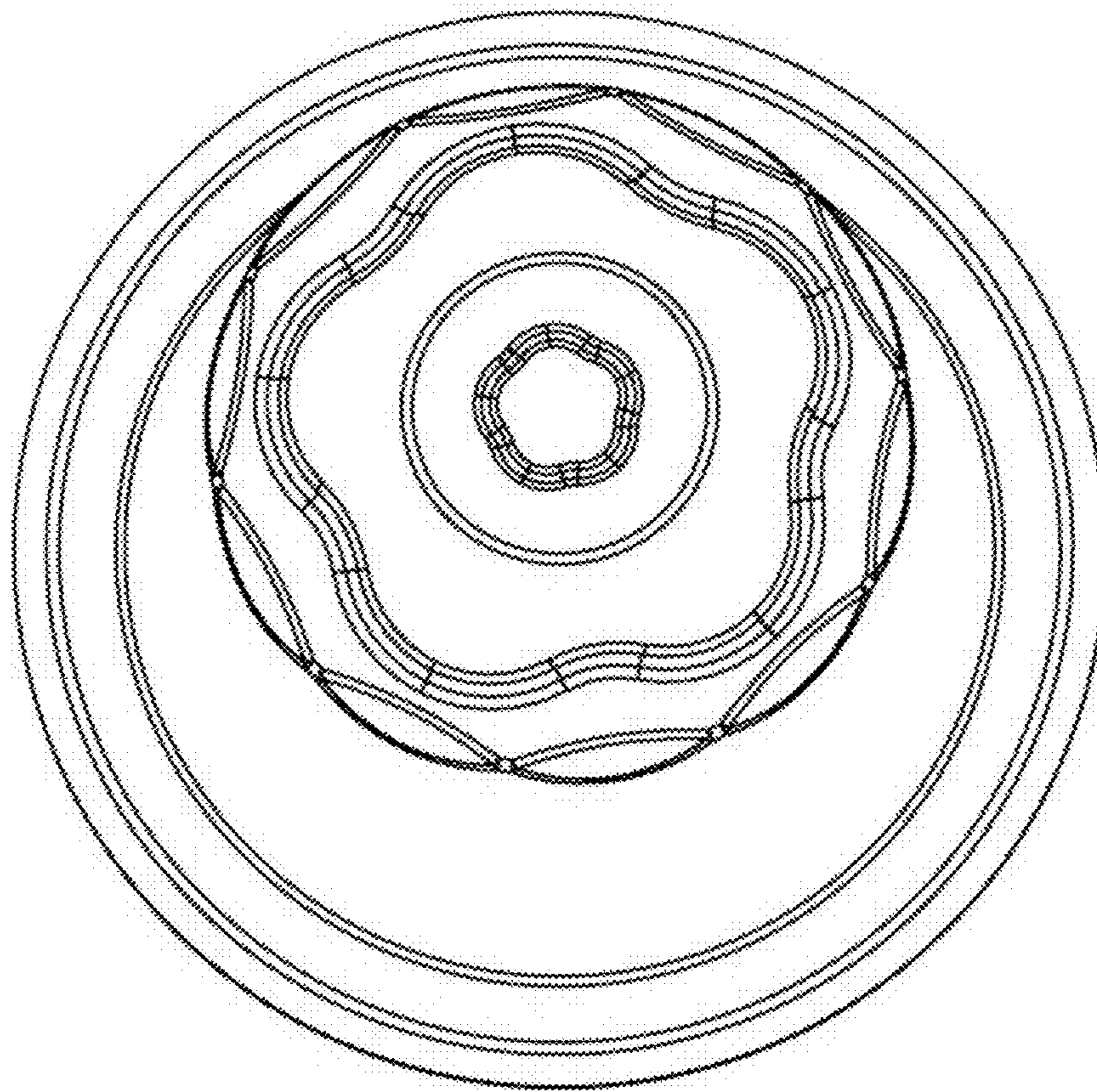
**1 Claim, 7 Drawing Sheets**



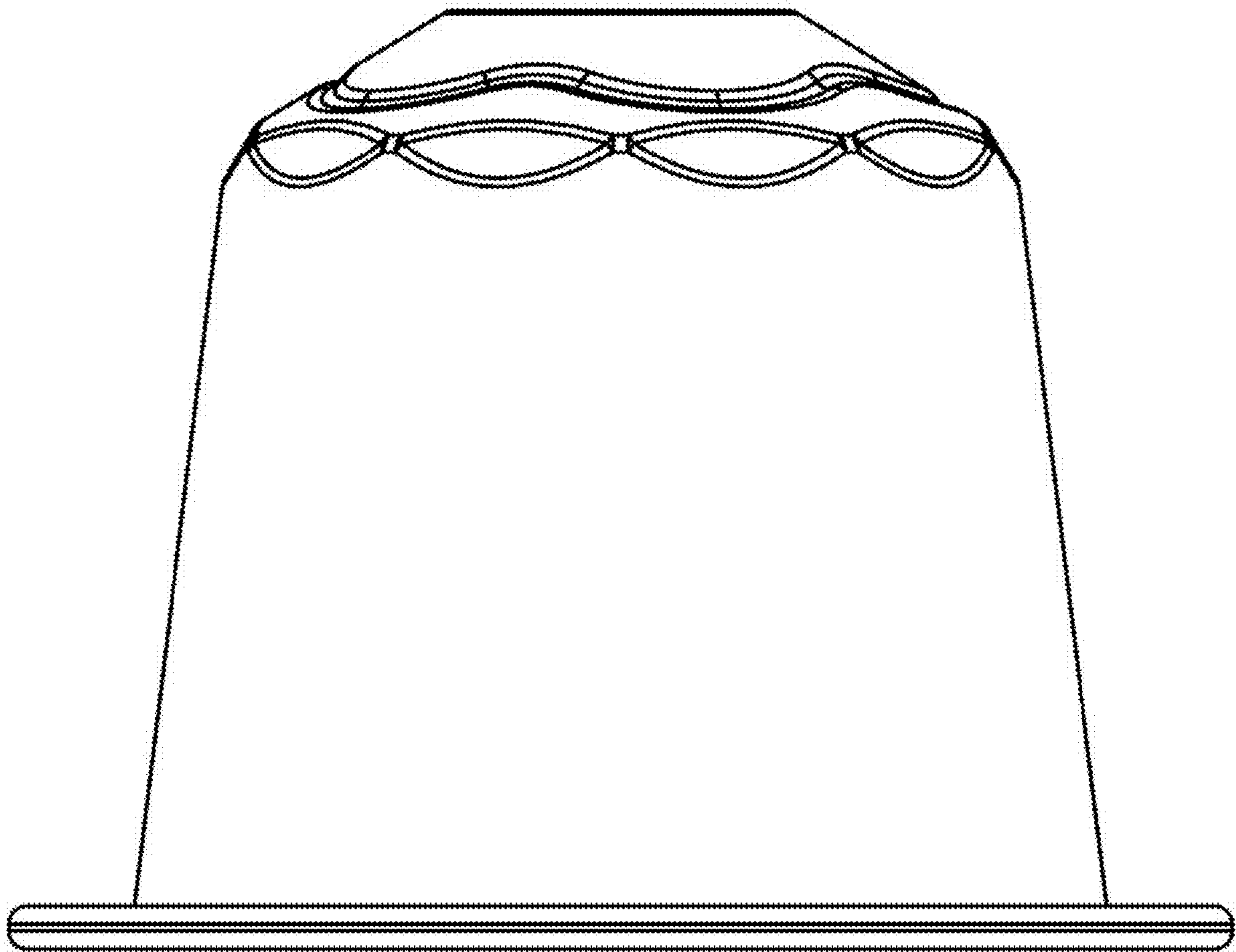
1.1



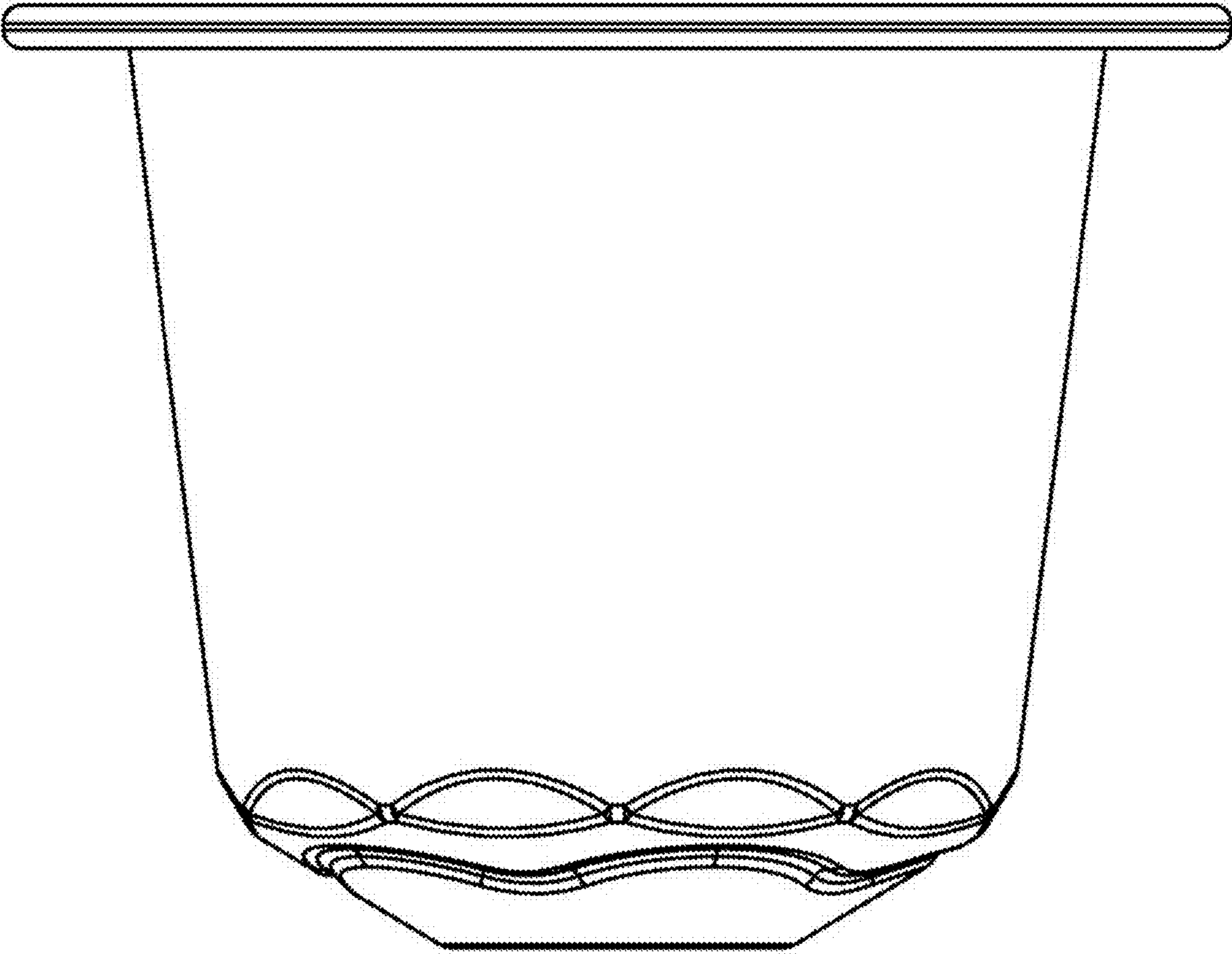
1.2



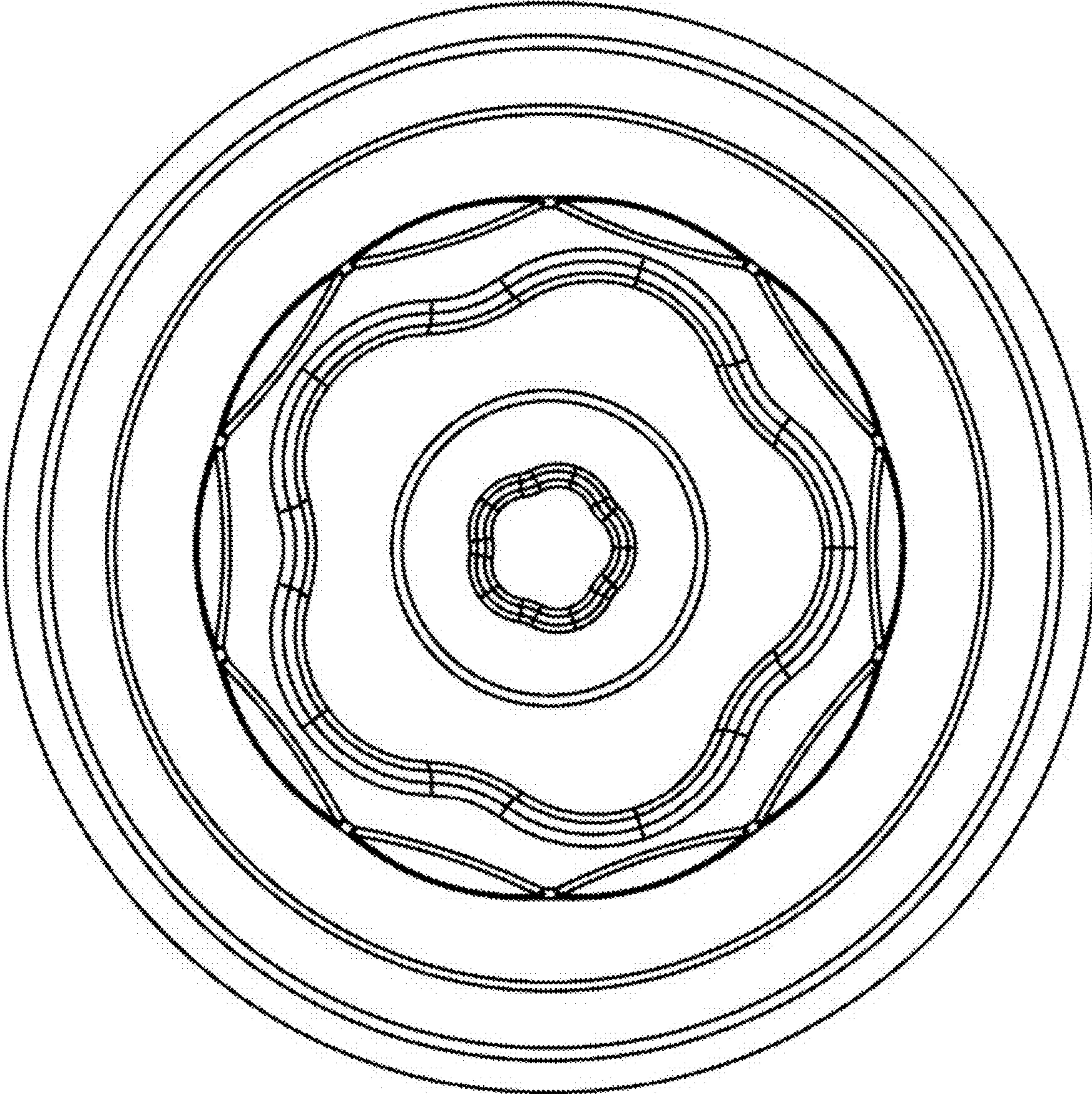
1.3



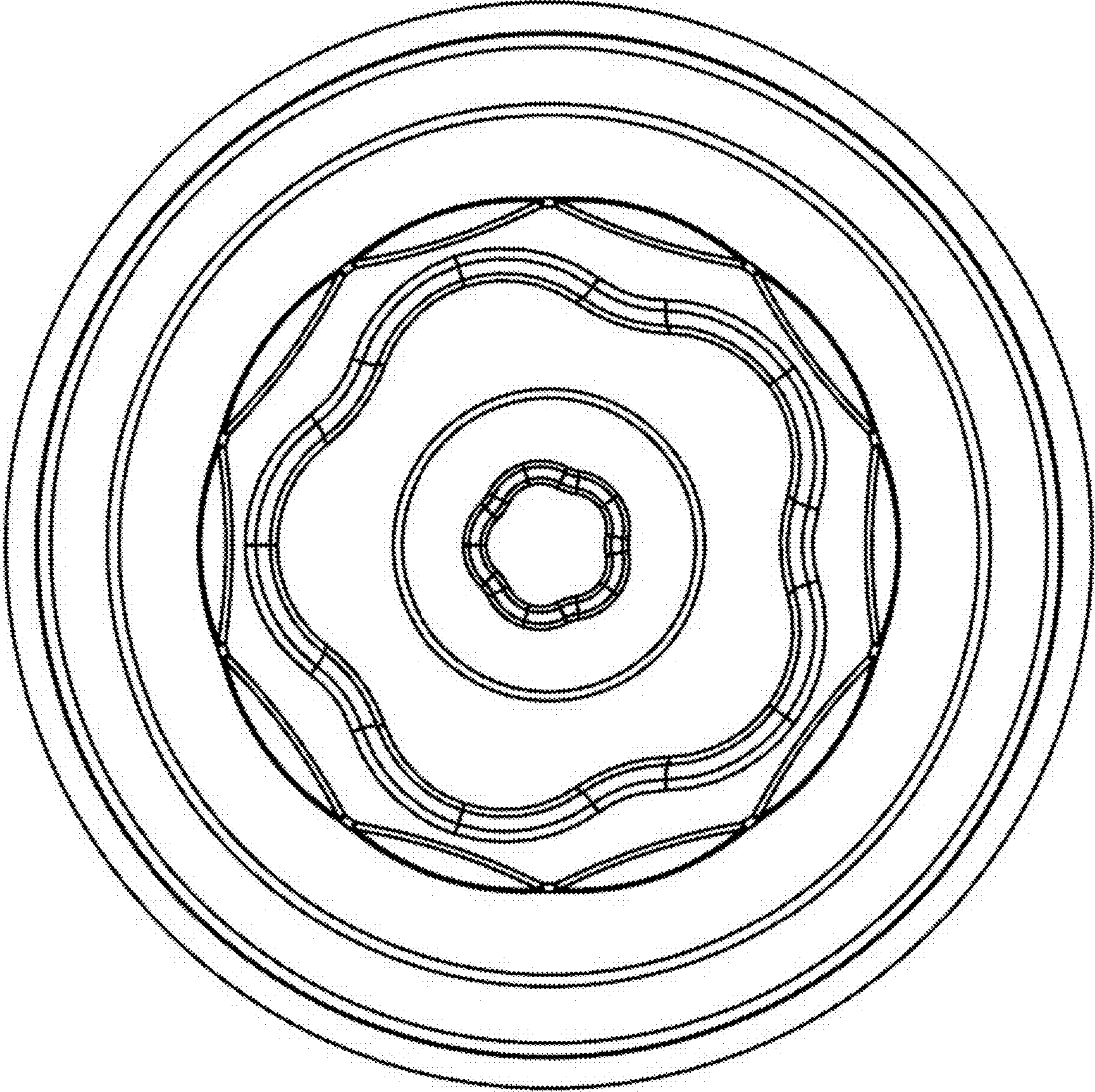
1.4



1.5



1.6



1.7

