



US00D956548S

(12) **United States Design Patent** (10) **Patent No.:** **US D956,548 S**
Breeden, III et al. (45) **Date of Patent:** **** Jul. 5, 2022**

- (54) **STORAGE CASE**
- (71) Applicant: **WINSTON PRODUCTS, LLC**,
Cleveland, OH (US)
- (72) Inventors: **Winston H. Breeden, III**, Chagrin
Falls, OH (US); **Curtis P. Taylor**,
Chagrin Falls, OH (US); **Matthew G.
Hanson**, Chagrin Falls, OH (US); **Ryan
Chepla**, Orange Village, OH (US);
Colleen Kurniawan, Cleveland, OH
(US); **David Drabousky**, Twinsburg,
OH (US)
- (73) Assignee: **Winston Products LLC**, Cleveland,
OH (US)
- (**) Term: **15 Years**
- (21) Appl. No.: **29/702,854**
- (22) Filed: **Aug. 22, 2019**

Related U.S. Application Data

- (63) Continuation of application No. 29/567,871, filed on
Jun. 13, 2016, now Pat. No. Des. 862,885.
- (51) **LOC (13) Cl.** **09-03**
- (52) **U.S. Cl.**
USPC **D9/415**
- (58) **Field of Classification Search**
USPC D9/414, 415, 416, 417, 418, 419, 420,
D9/423, 430, 432, 433, 445, 449, 456;
206/443, 589
CPC A47G 23/025; A47F 7/0042; B65D 5/321;
B65D 5/4204; B65D 5/5028; B65D
75/36; B65D 73/0092; B65D 75/23;
B65D 5/18; B65D 85/62; B65D 25/2826;
B65D 25/106; B60P 7/0846; B60P 7/0823
See application file for complete search history.

- (56) **References Cited**
U.S. PATENT DOCUMENTS
- D442,776 S 5/2001 Cosentino
- 6,311,881 B1 * 11/2001 Kamiya A45F 5/02
224/678
- D471,004 S 3/2003 Cosentino
- D571,198 S * 6/2008 Lee D9/432
- D575,149 S * 8/2008 Baranowski D9/432
- D603,144 S 11/2009 South
- D625,530 S * 10/2010 Robbins, III D6/683
- D634,315 S * 3/2011 Nousiainen D14/253
- D684,457 S * 6/2013 Salow D9/415
- (Continued)

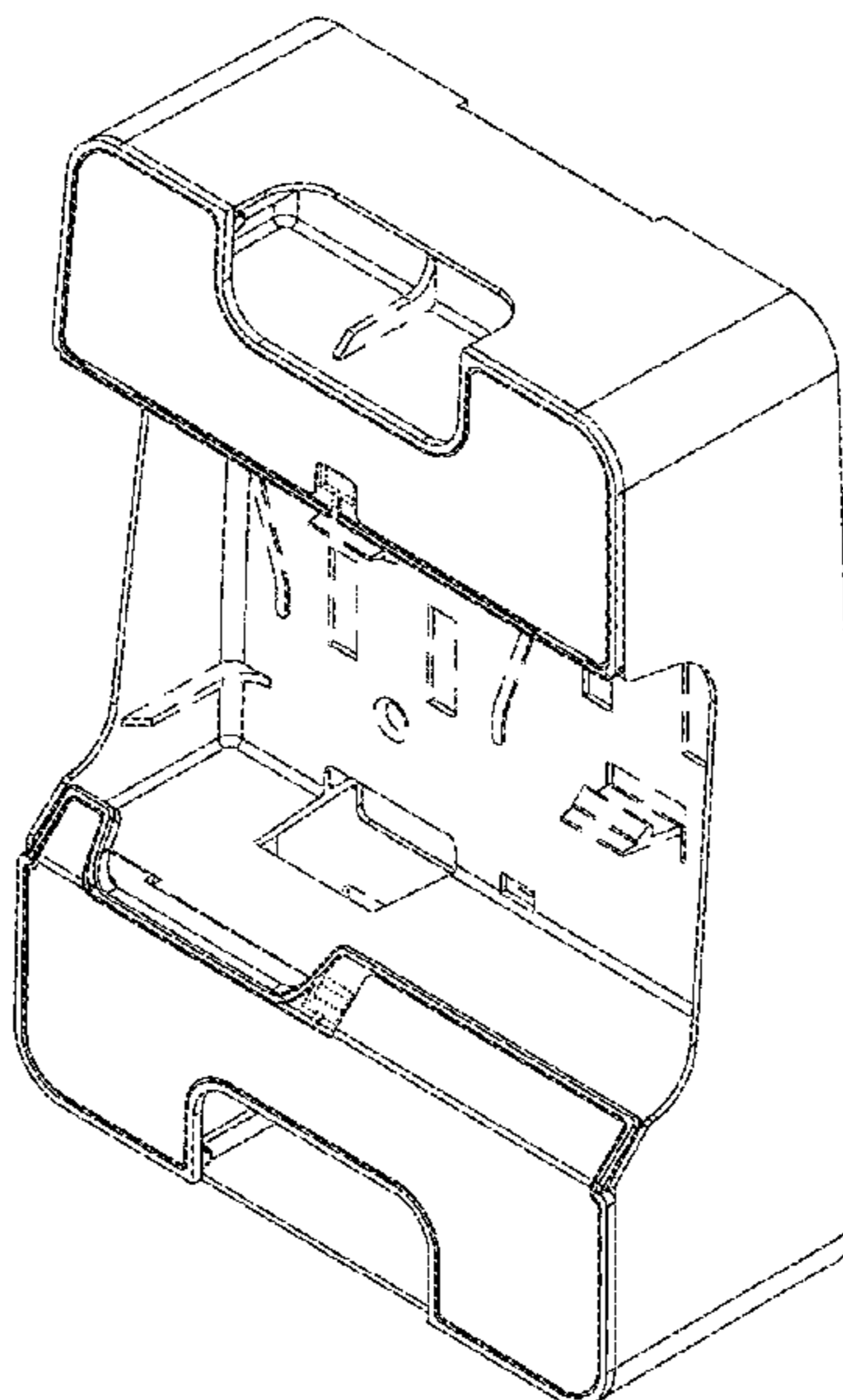
Primary Examiner — Mehri F Bajoul
(74) *Attorney, Agent, or Firm* — Tucker Ellis LLP

(57) **CLAIM**
The ornamental design for a storage case, as shown and
described.

DESCRIPTION

FIG. 1 is a top front right perspective view of a storage case,
according to the first embodiment;
FIG. 2 is a front view thereof.
FIG. 3 is a rear view thereof.
FIG. 4 is a left side view thereof.
FIG. 5 is a right side view thereof.
FIG. 6 is a top view thereof.
FIG. 7 is a bottom side view thereof.
FIG. 8 is a top front right perspective view of a storage case,
according to the second embodiment;
FIG. 9 is a front view thereof.
FIG. 10 is a rear view thereof.
FIG. 11 is a left side view thereof.
FIG. 12 is a right side view thereof.
FIG. 13 is a top view thereof; and,
FIG. 14 is a bottom side view thereof.
The broken lines shown in the drawings depict portions of
the storage case that form no part of the claimed design.

1 Claim, 10 Drawing Sheets



(56)

References Cited

U.S. PATENT DOCUMENTS

D691,884	S	*	10/2013	Kwon	D9/415
8,699,230	B2		4/2014	Cheng		
D705,527	S		5/2014	Clark		
8,739,971	B2		6/2014	Fujii et al.		
D718,021	S		11/2014	Werczberger		
D729,501	S		5/2015	Abel		
D730,168	S	*	5/2015	Deshpande	D9/415
D742,215	S	*	11/2015	Deshpande	D9/415
D754,422	S		4/2016	Zenoff		
D756,980	S	*	5/2016	Beeman	D14/250
D760,588	S	*	7/2016	Cheng	D9/414
D764,770	S		8/2016	Zenoff		
D774,884	S	*	12/2016	Deshpande	D9/415
D783,395	S	*	4/2017	Wang	D9/418
D803,042	S	*	11/2017	Deshpande	D9/415
D815,100	S	*	4/2018	Burmester	D14/440
2016/0207681	A1	*	7/2016	Deshpande	B65D 73/0014
2016/0376092	A1	*	12/2016	Breeden, III	B65D 85/62 206/341

* cited by examiner

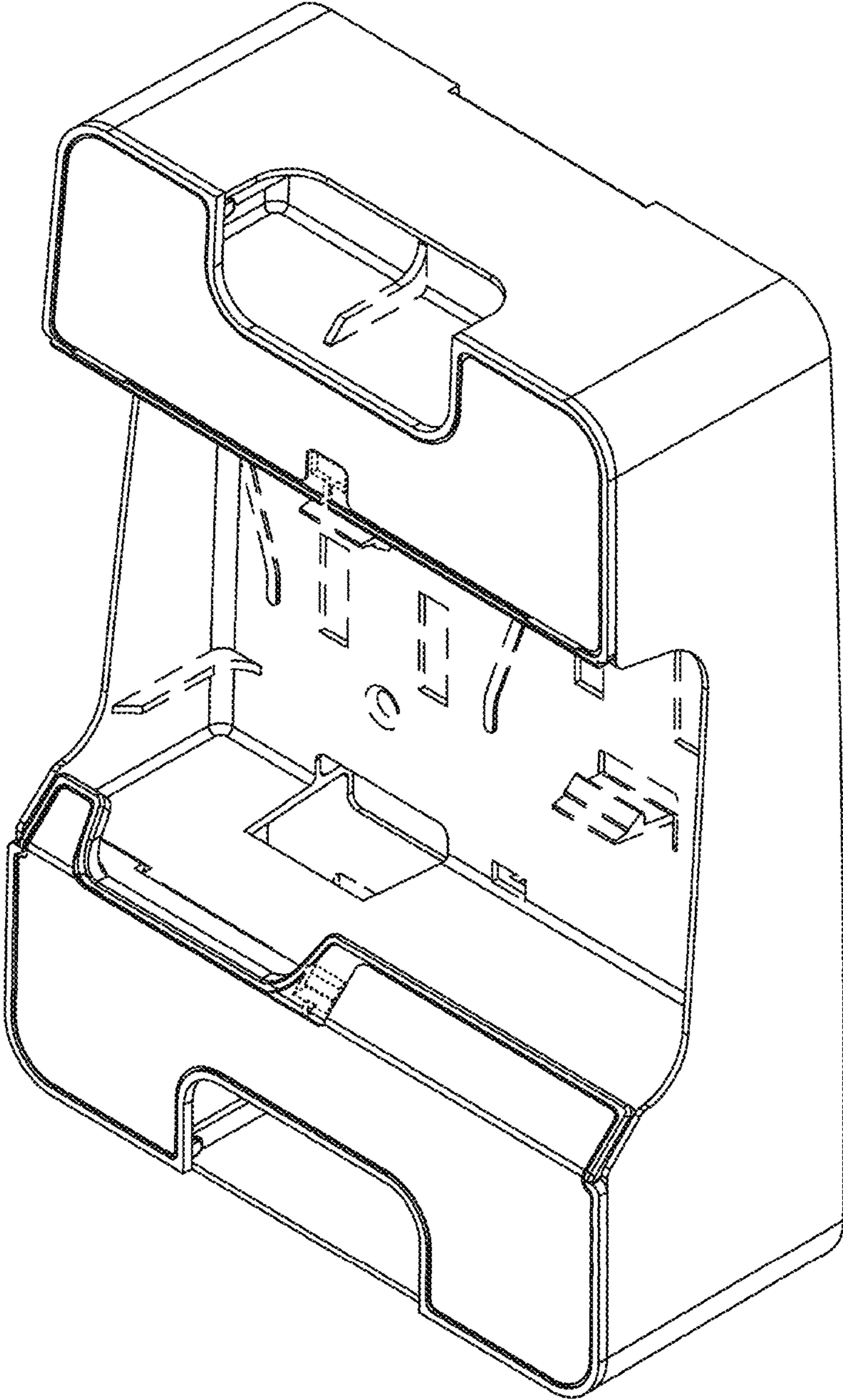


FIG. 1

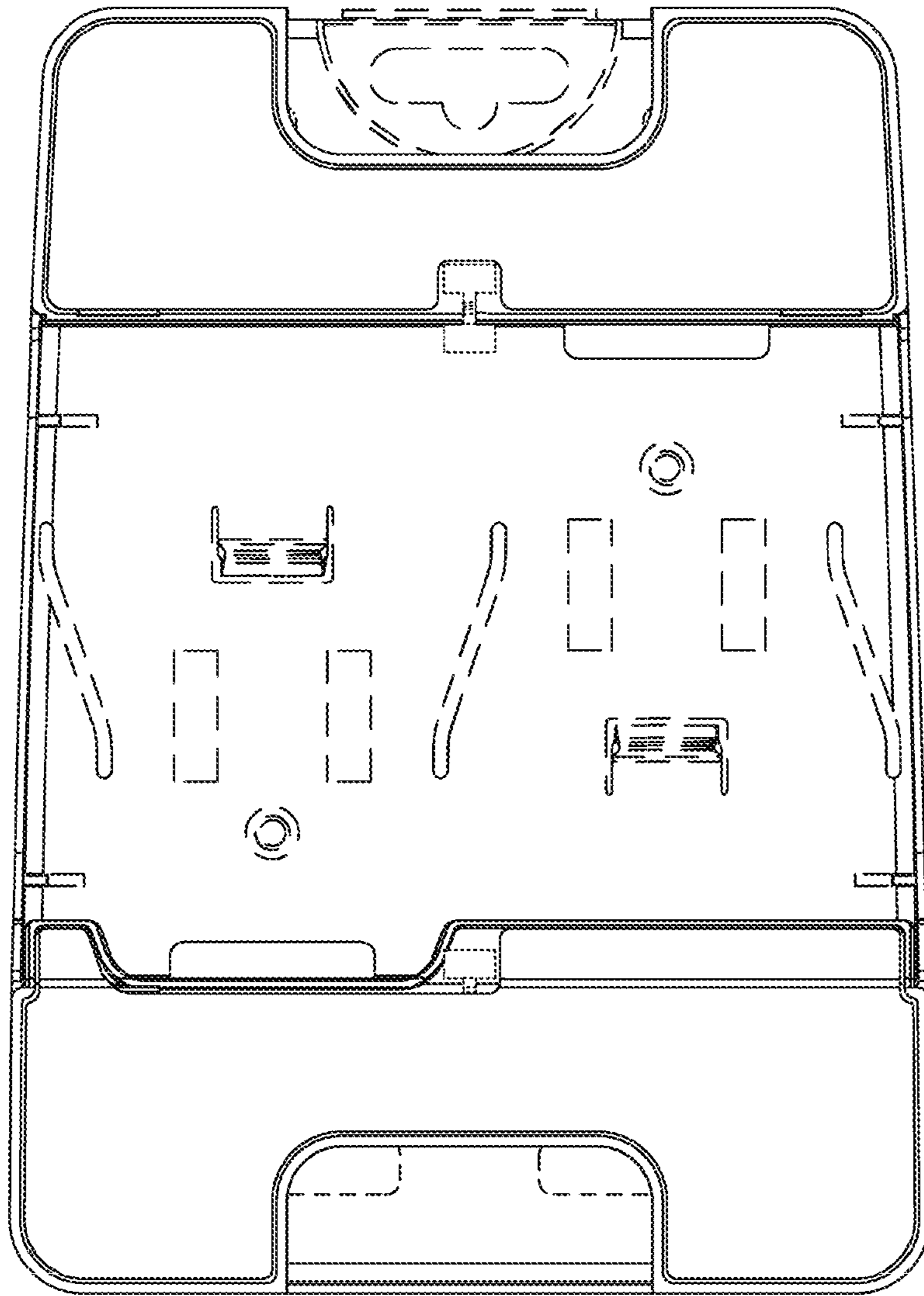


FIG. 2

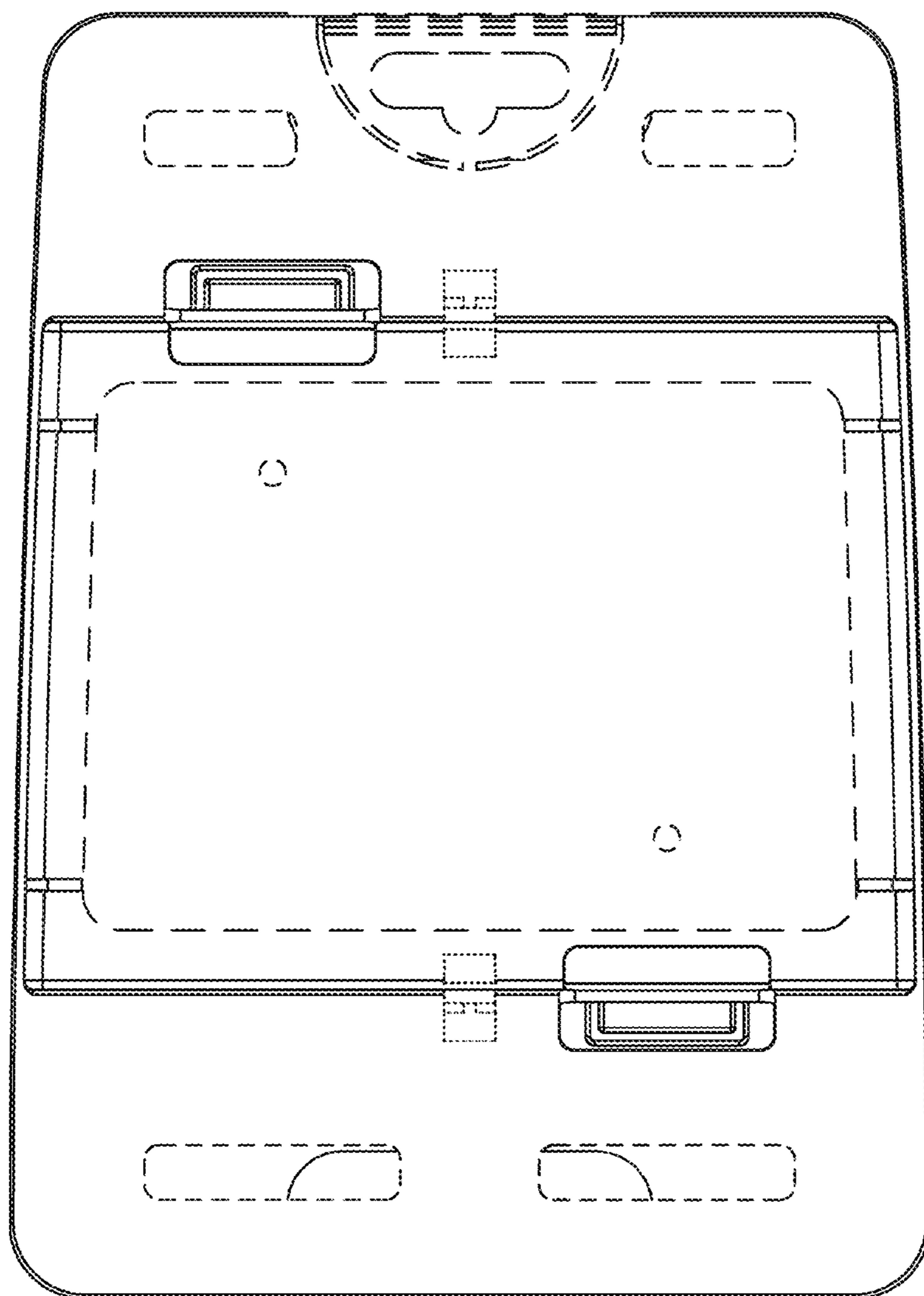


FIG. 3

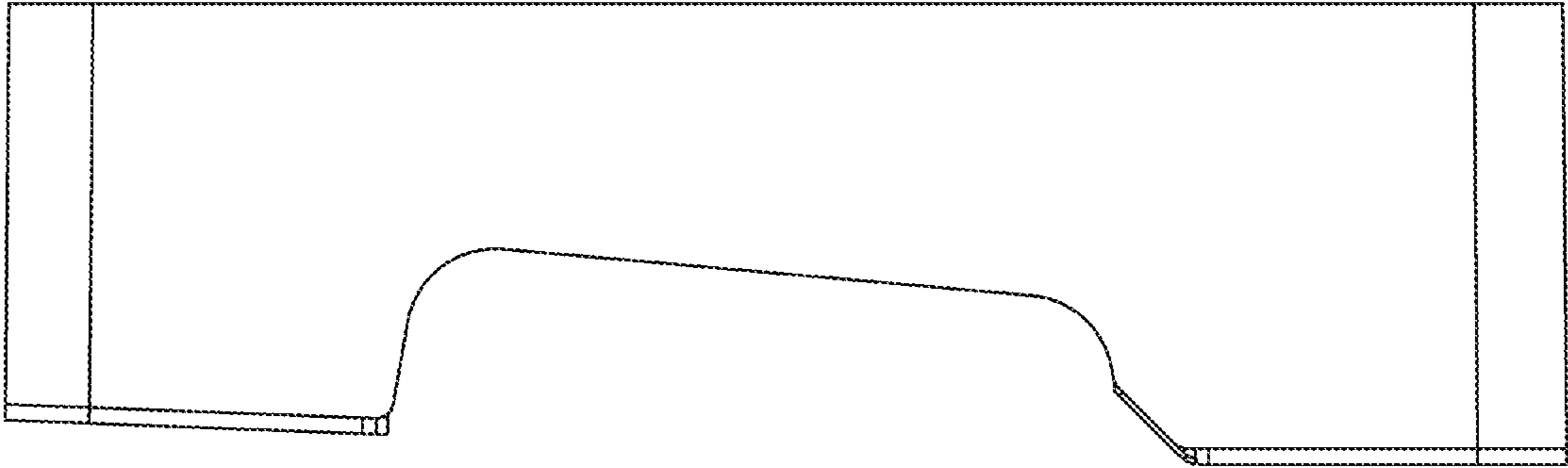


FIG. 5

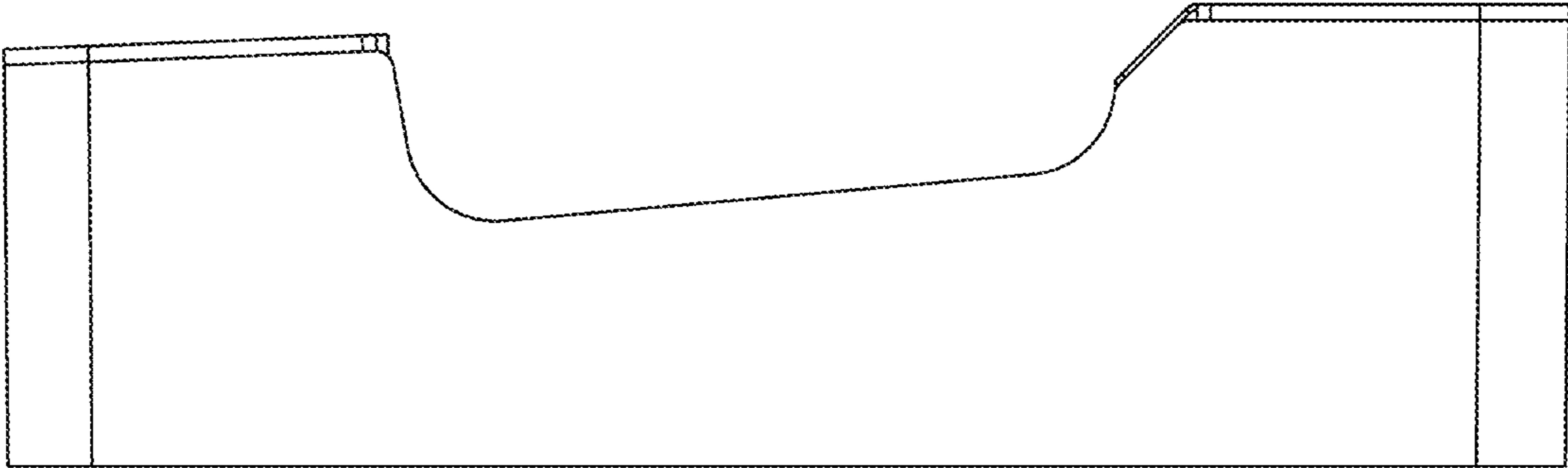


FIG. 4

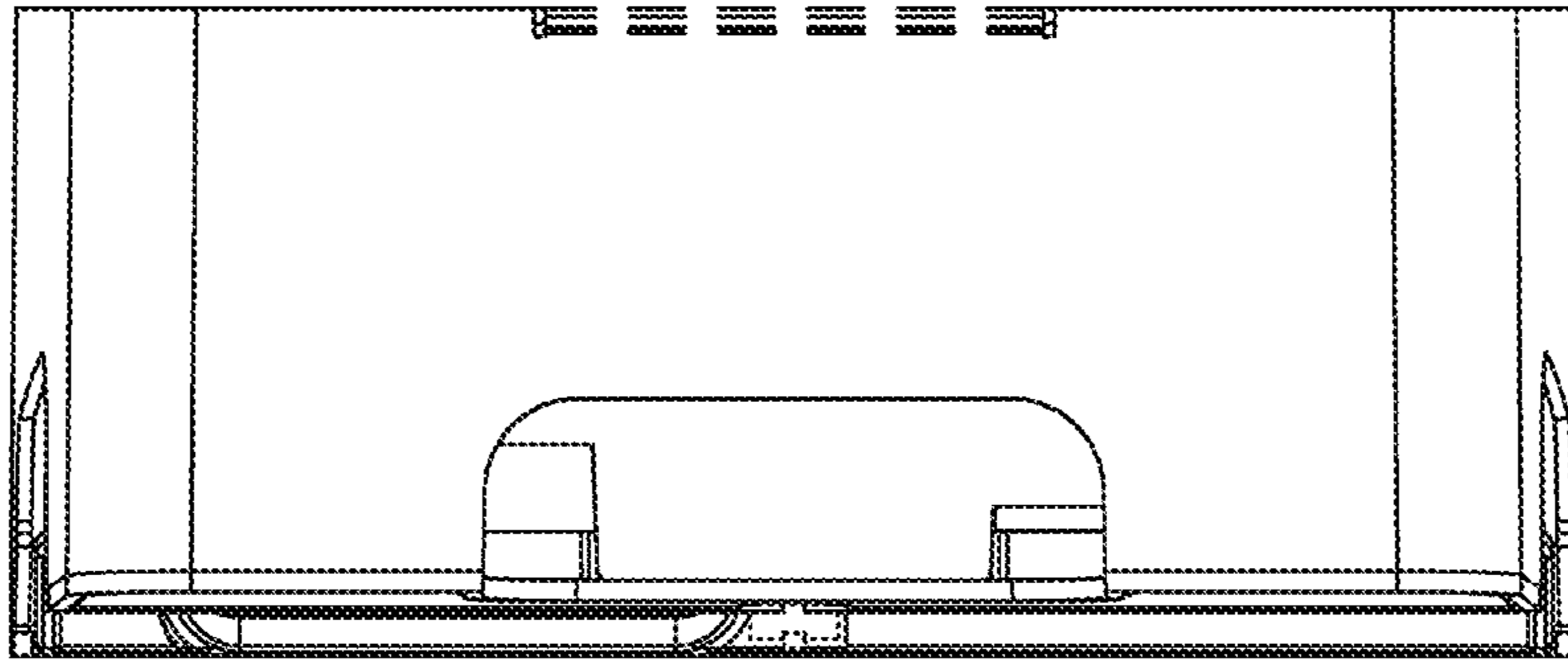


FIG. 6

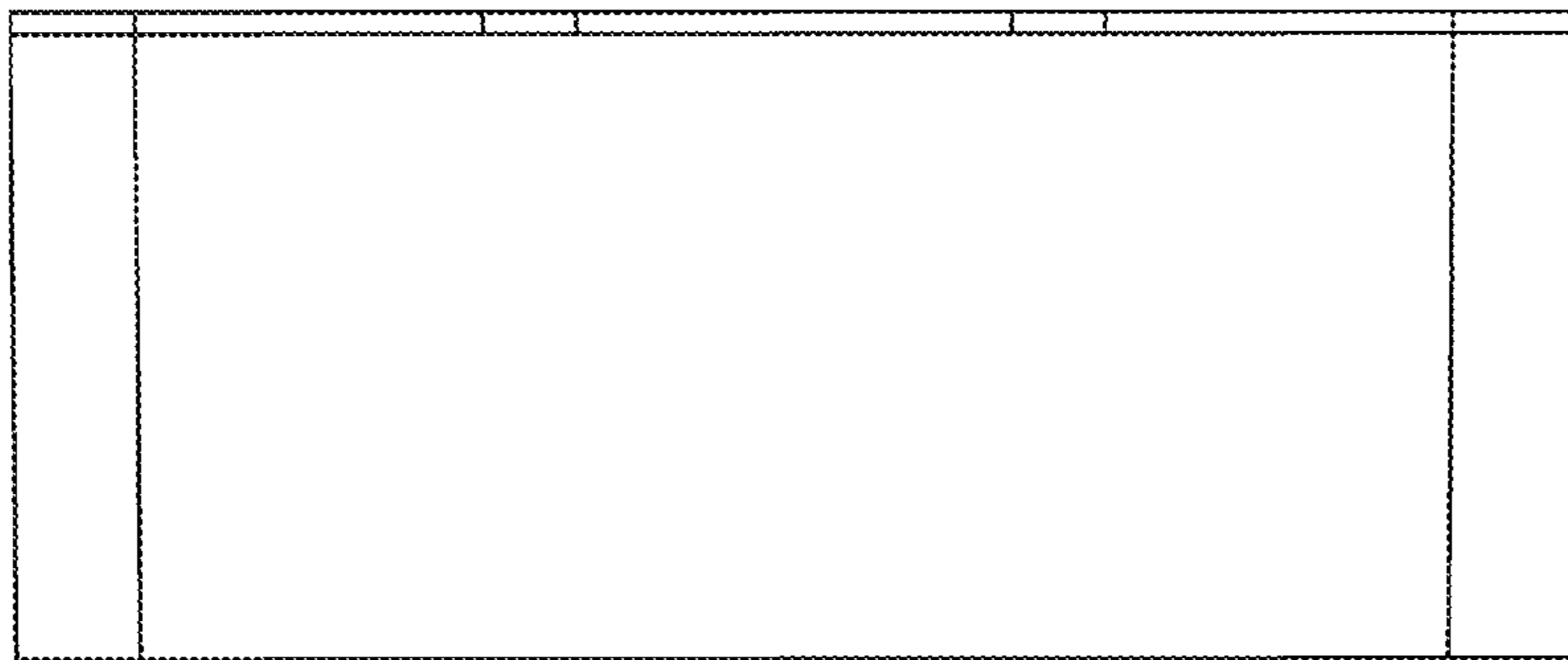


FIG. 7

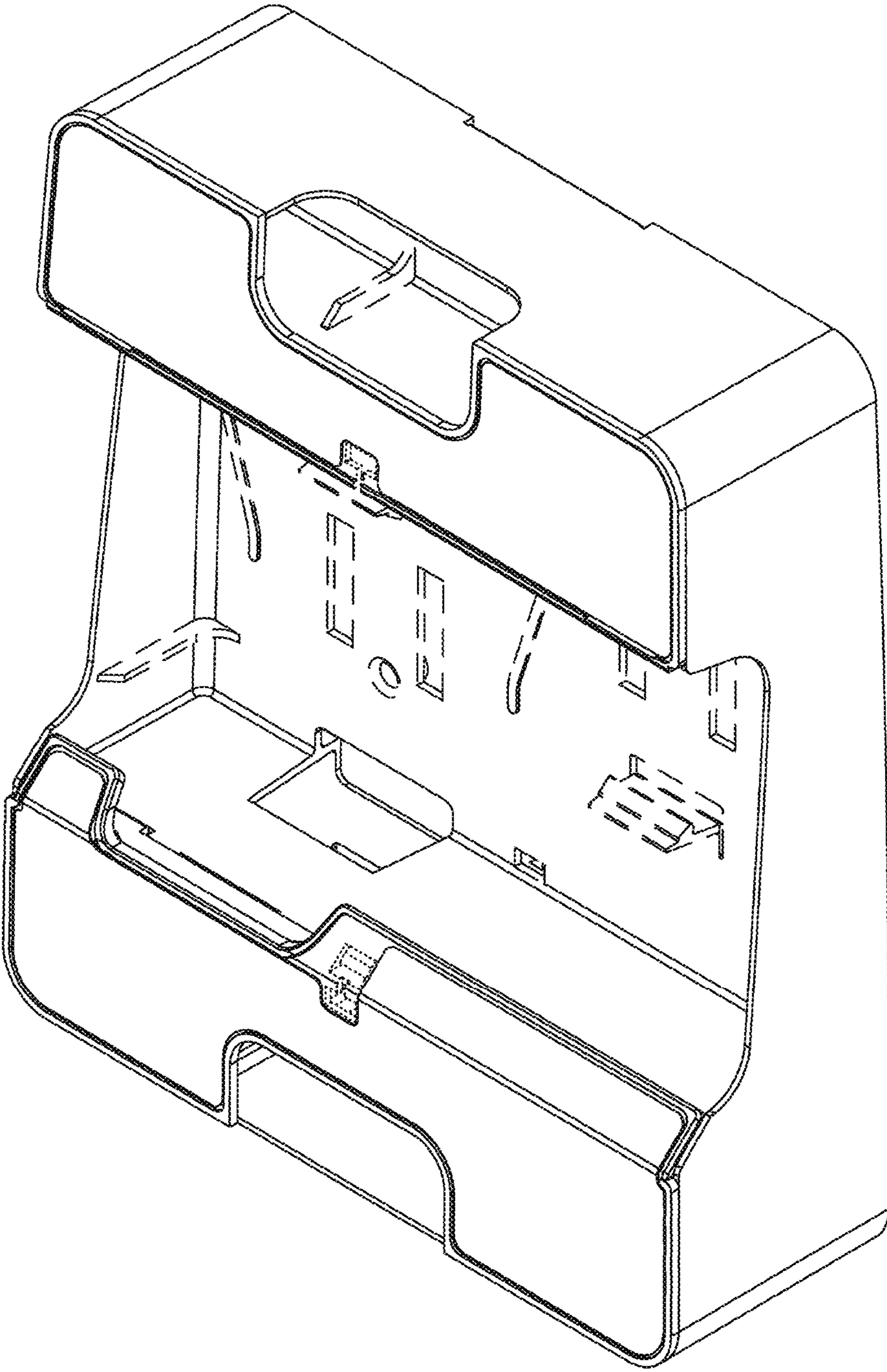


FIG. 8

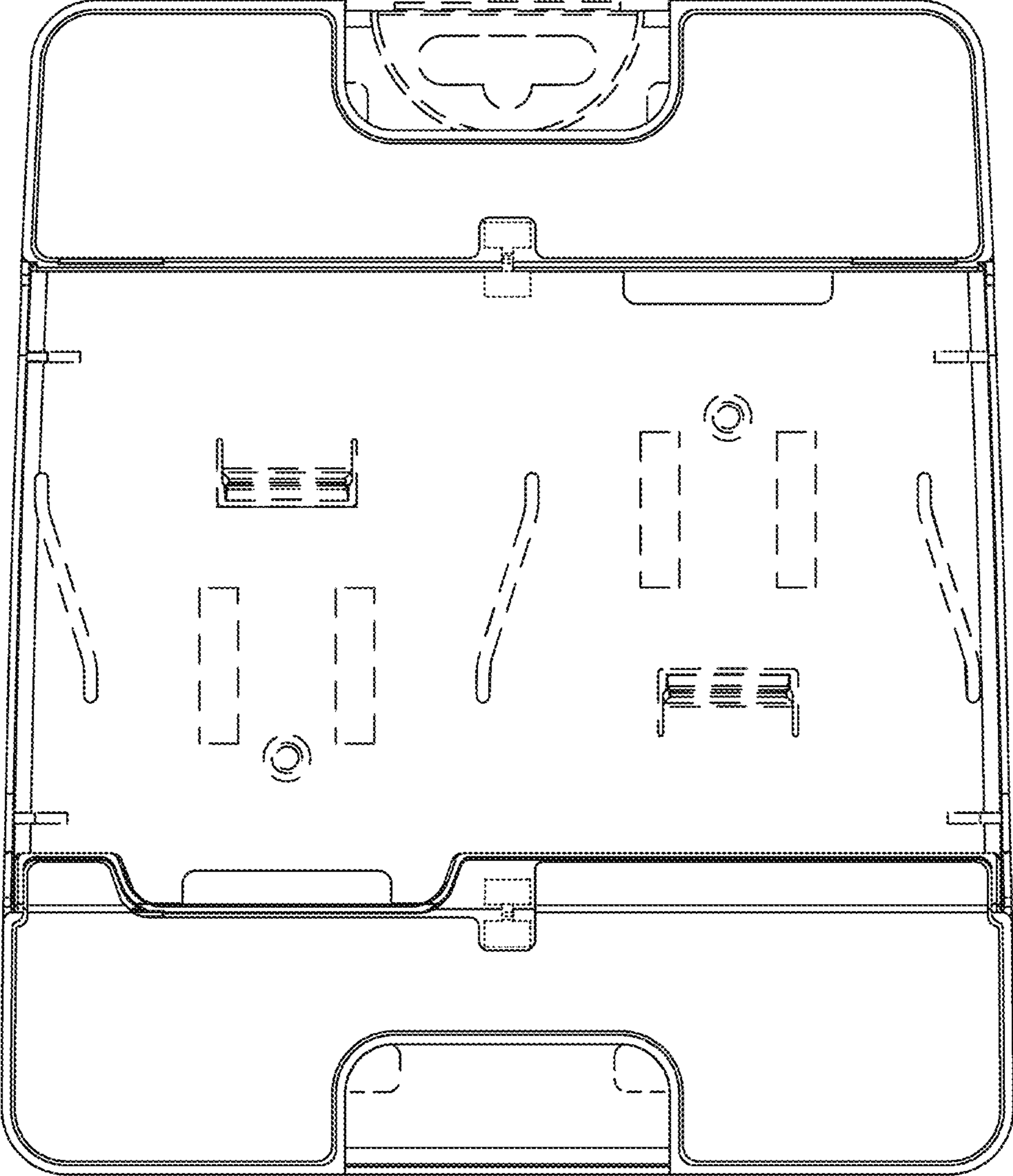


FIG. 9

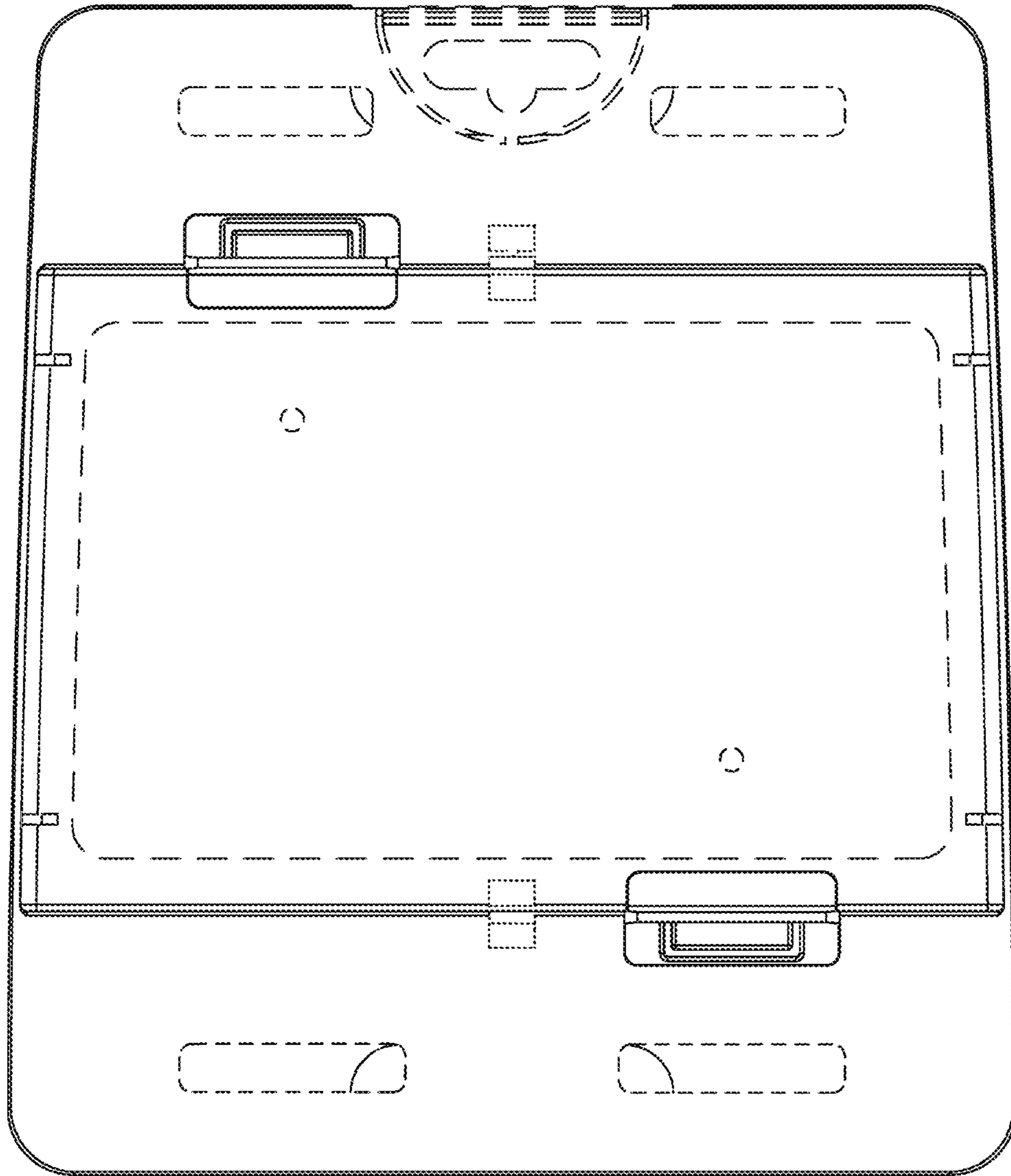


FIG. 10

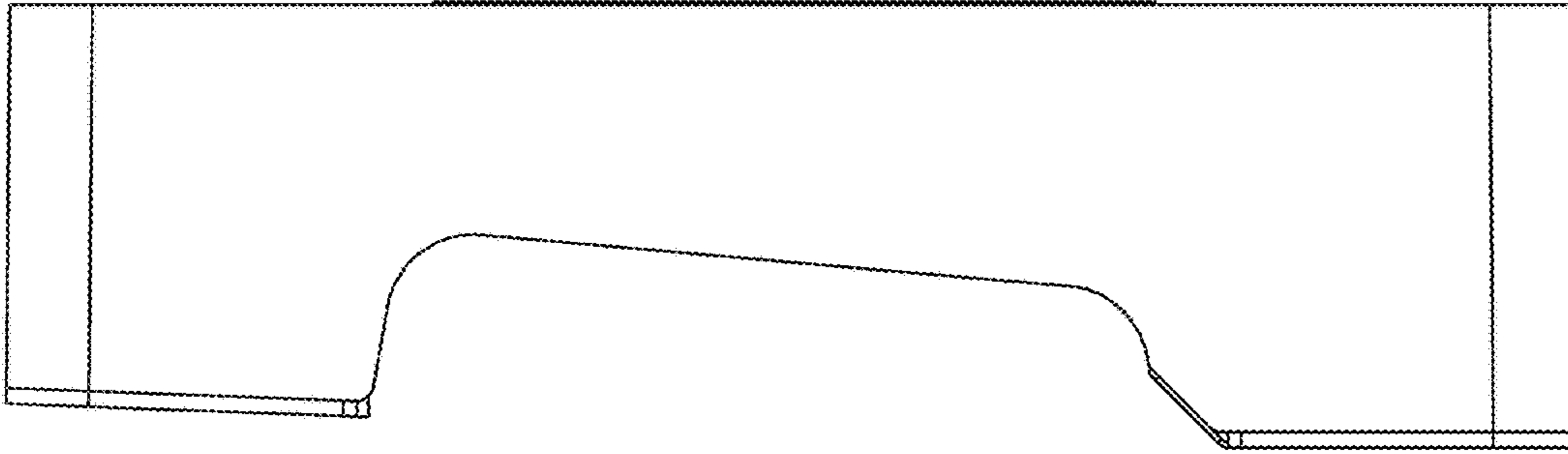


FIG. 12

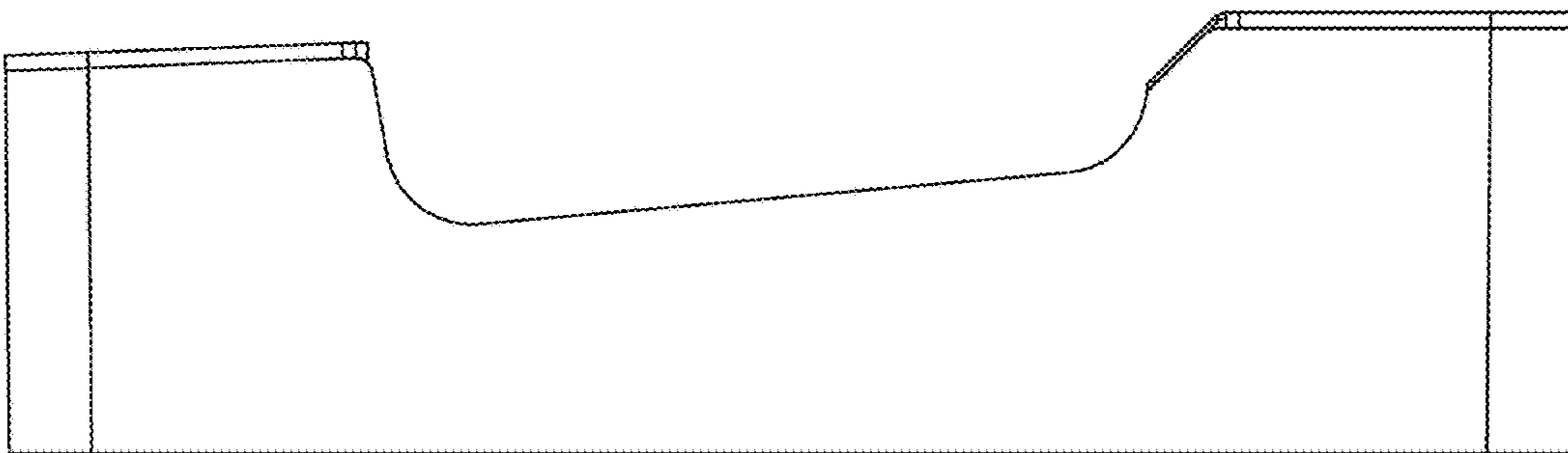


FIG. 11

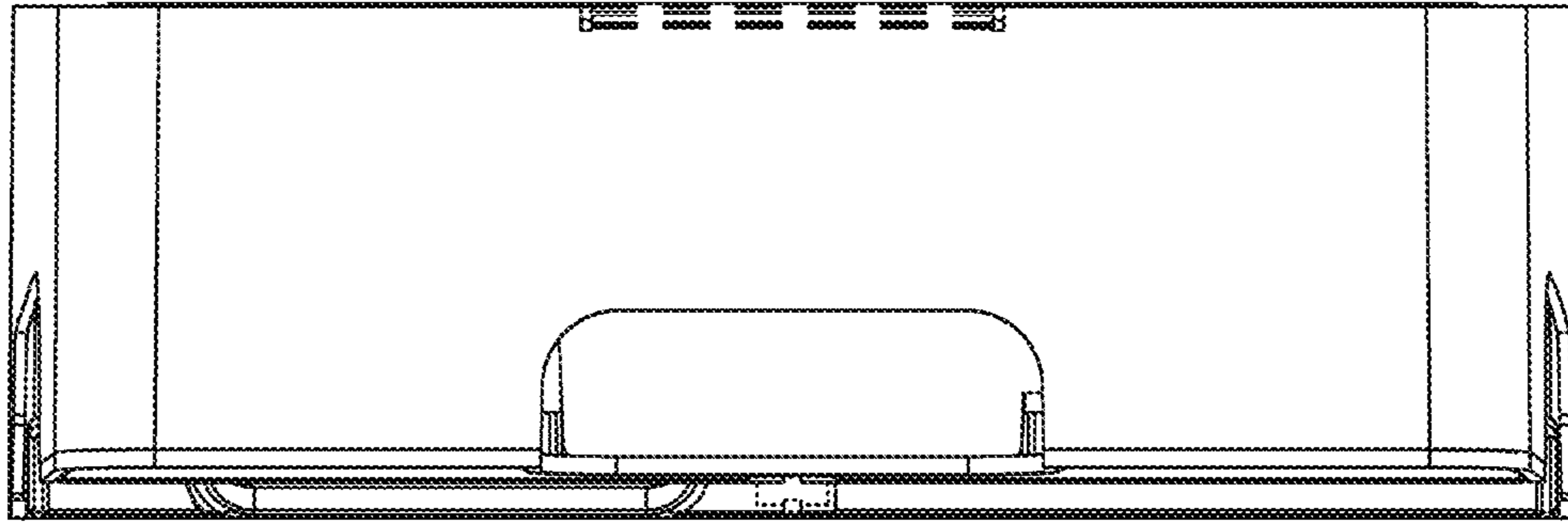


FIG. 13

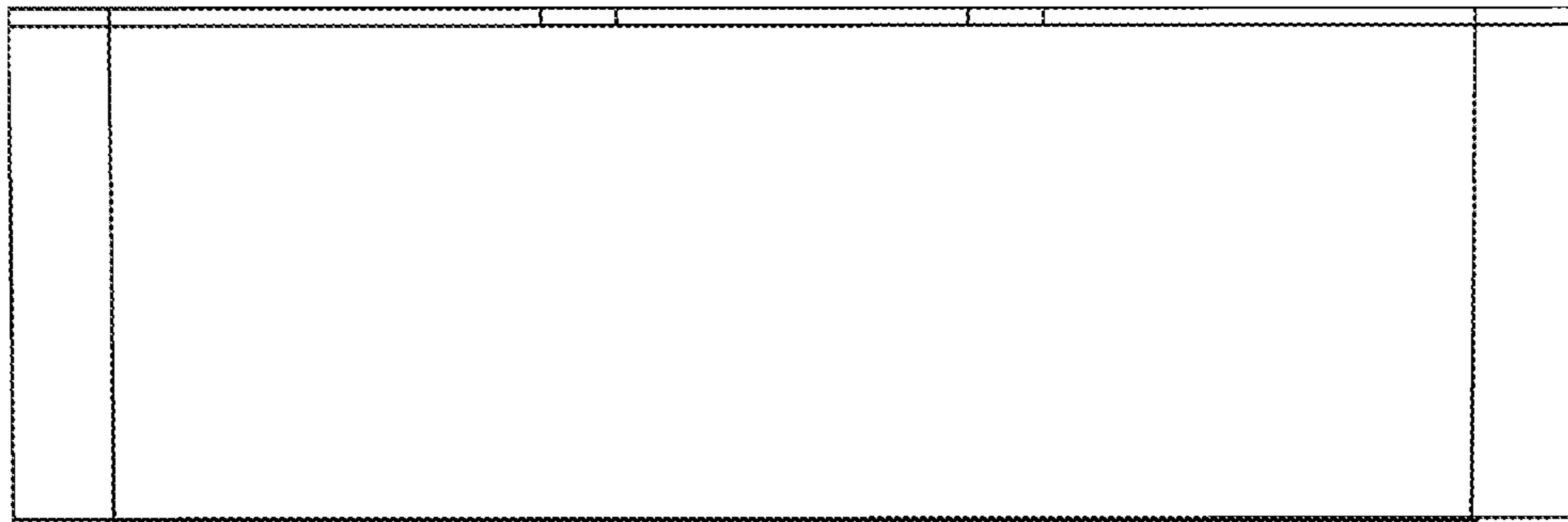


FIG. 14