

US00D956547S

(12) **United States Design Patent**
Chen

(10) **Patent No.:** **US D956,547 S**

(45) **Date of Patent:** **** Jul. 5, 2022**

(54) **DOOR KNOCKER**

(71) Applicant: **Spectrum Brands, Inc.**, Middleton, WI (US)

(72) Inventor: **Andy Chen**, Xiamen (CN)

(73) Assignee: **Spectrum Brands, Inc.**, Middleton, WI (US)

(**) Term: **15 Years**

(21) Appl. No.: **29/767,732**

(22) Filed: **Jan. 25, 2021**

(51) **LOC (13) Cl.** **10-06**

(52) **U.S. Cl.**
USPC **D8/401**

(58) **Field of Classification Search**
USPC D8/306, 400, 401, 499
CPC . H01H 36/0026; G01C 19/5719; G10K 1/062
See application file for complete search history.

(56) **References Cited**

U.S. PATENT DOCUMENTS

D152,829 S *	2/1949	Rummelsburg	D8/320
2,523,158 A *	9/1950	Starp	G10K 3/00
				116/DIG. 12
D196,424 S *	10/1963	Are et al.	D8/DIG. 1
D202,877 S *	11/1965	Morse et al.	D8/401
D203,027 S *	11/1965	Bourgeois	D8/401
D218,672 S *	9/1970	Lauper	D8/313
3,734,054 A *	5/1973	Anderson	G10K 3/00
				116/148
D258,113 S *	2/1981	Koffler	D8/301
D262,092 S *	12/1981	Pelavin	D8/321
6,549,109 B1 *	4/2003	Yang	G10K 1/062
				340/398.2
D518,700 S *	4/2006	Arosio	D8/300
D576,432 S *	9/2008	Siekmann	D6/300
D625,574 S *	10/2010	Burns	D8/306

D640,126 S	6/2011	Plato	
D640,127 S *	6/2011	Stevens D8/401
D655,110 S *	3/2012	Siekmann D6/703
D720,595 S *	1/2015	Bertani D8/306
D723,900 S *	3/2015	Bertani D8/306

FOREIGN PATENT DOCUMENTS

CN	304252309	8/2017
CN	304756362	8/2018

OTHER PUBLICATIONS

www.myknobs.com, Estate Door Accessories—Contemporary Square Loop Door Knocker in PVD Lifetime Satin Brass—Baldwin Hardware, Estate Door Knocker 1, 2022 (Year: 2022).*

(Continued)

Primary Examiner — Keli L Hill

Assistant Examiner — Harold E Blackwell, II

(74) *Attorney, Agent, or Firm* — Banner & Witcoff, Ltd.

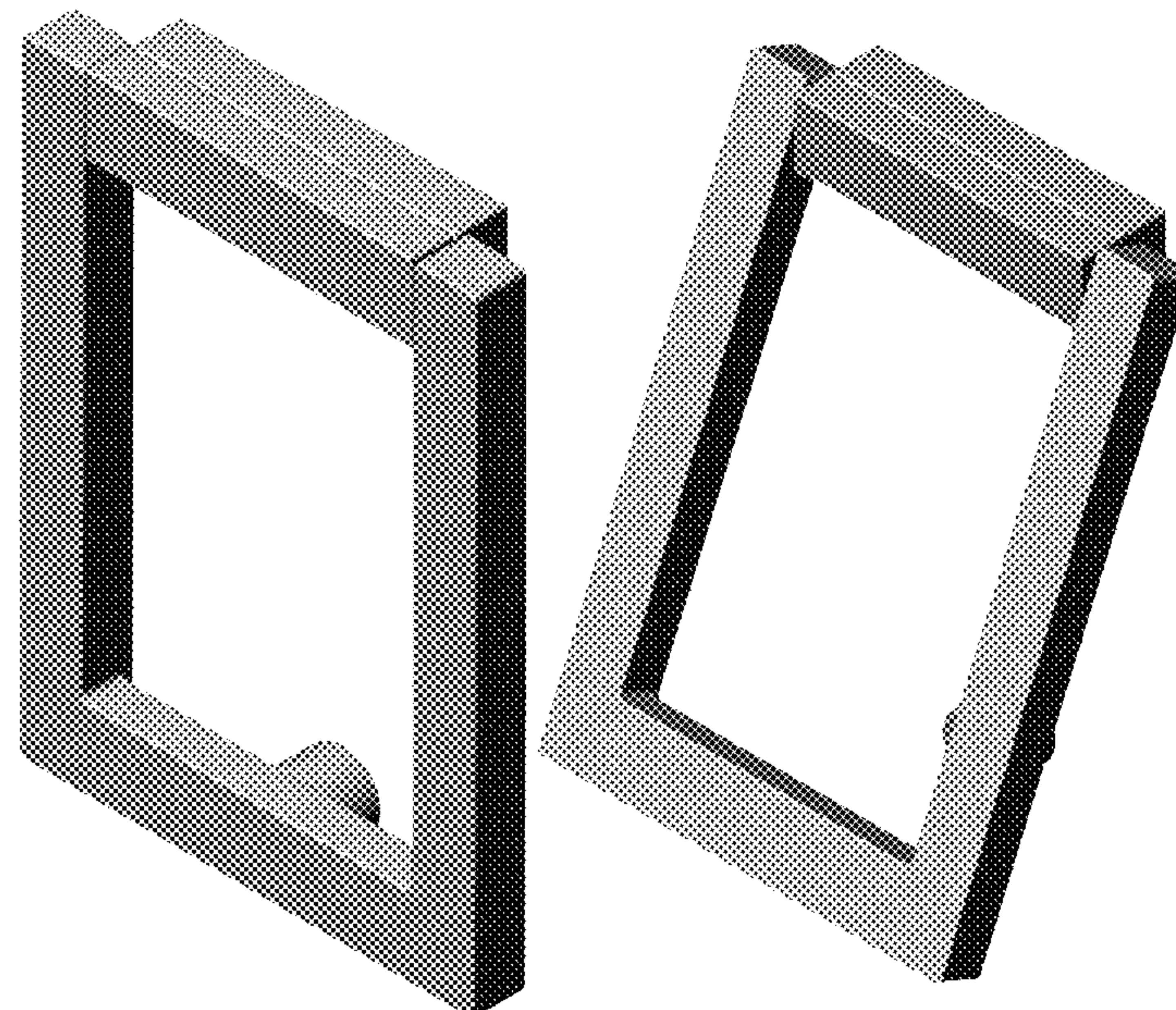
(57) **CLAIM**

The ornamental design for a door knocker, as shown and described.

DESCRIPTION

FIG. 1 is a front perspective view of a door knocker showing my new design;
FIG. 2 is a front view thereof;
FIG. 3 is a left side view thereof;
FIG. 4 is a right side view thereof;
FIG. 5 is a top view thereof;
FIG. 6 is a bottom view thereof; and,
FIG. 7 is a front perspective view of the door knocker of FIGS. 1-6 with the knocking element shown in a second position.

1 Claim, 7 Drawing Sheets



(56)

References Cited

OTHER PUBLICATIONS

www.myknobs.com, Estate Door Accessories—Modern Rectangular Door Knocker in Lifetime Pvd Polished Brass—Baldwin Hardware, Estate Door Knocker 2, 2022 (Year: 2022).*

www.myknobs.com, Estate Door Accessories—Modern Rectangular Door Knocker With Scope in Lifetime Pvd Polished Brass—Baldwin Hardware, Estate Door Knocker 3, 2022 (Year: 2022).*

“Frank Allart—Contemporary door knocker 106×100mm”, English Tapware Company; retrieved Jan. 21, 2021; disclosure date unknown but prior to the filing date of present application; URL: <<https://www.englishtapware.com.au/products/FA-CON2402/>>.

“KnockIN Rectangular Door Knocker”, Houzz; retrieved Jan. 21, 2021; disclosure date unknown but prior to the filing date of present application; URL: <<https://www.houzz.com/products/knockin-rectangular-door-knocker-polished-brass-4x4x3-8-prvw-vr~115919220>>.

“KnockIN Square Brass Door Knocker”, SignatureThings.com; retrieved Jan. 21, 2021; disclosure date unknown but prior to the filing date of present application; URL: <<https://signaturethings.com/knockin-square-door-knocker>>.

“Square Door Knocker 8””, Rocky Mountain Hardware, Inc.; retrieved Jan. 21, 2021; disclosure date unknown but prior to the filing date of present application; URL: <<https://www.rockymountainhardware.com/products/door-hardware/door-accessories/door-knockers/square-door-knocker-dk8>>.

* cited by examiner

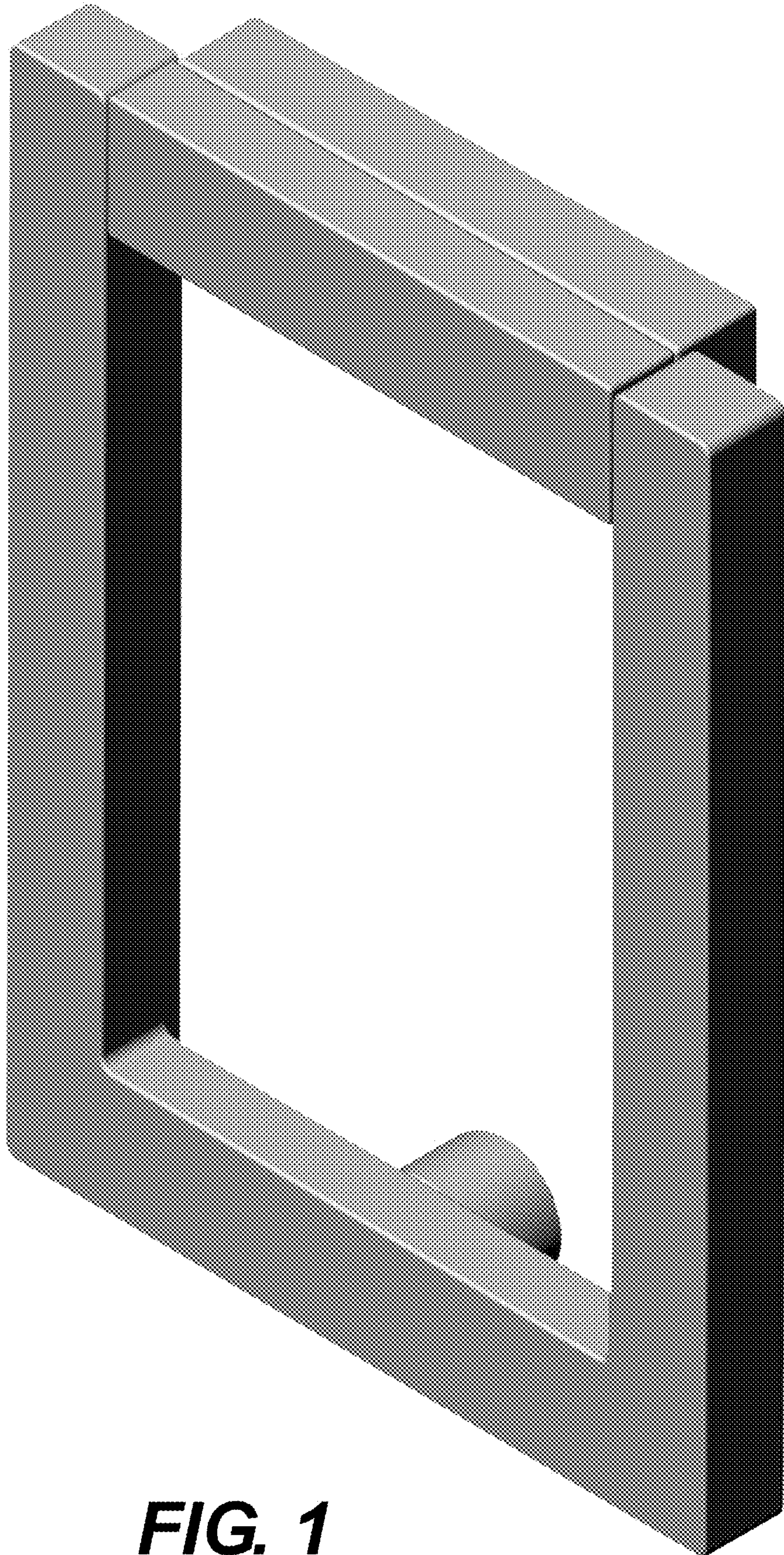


FIG. 1

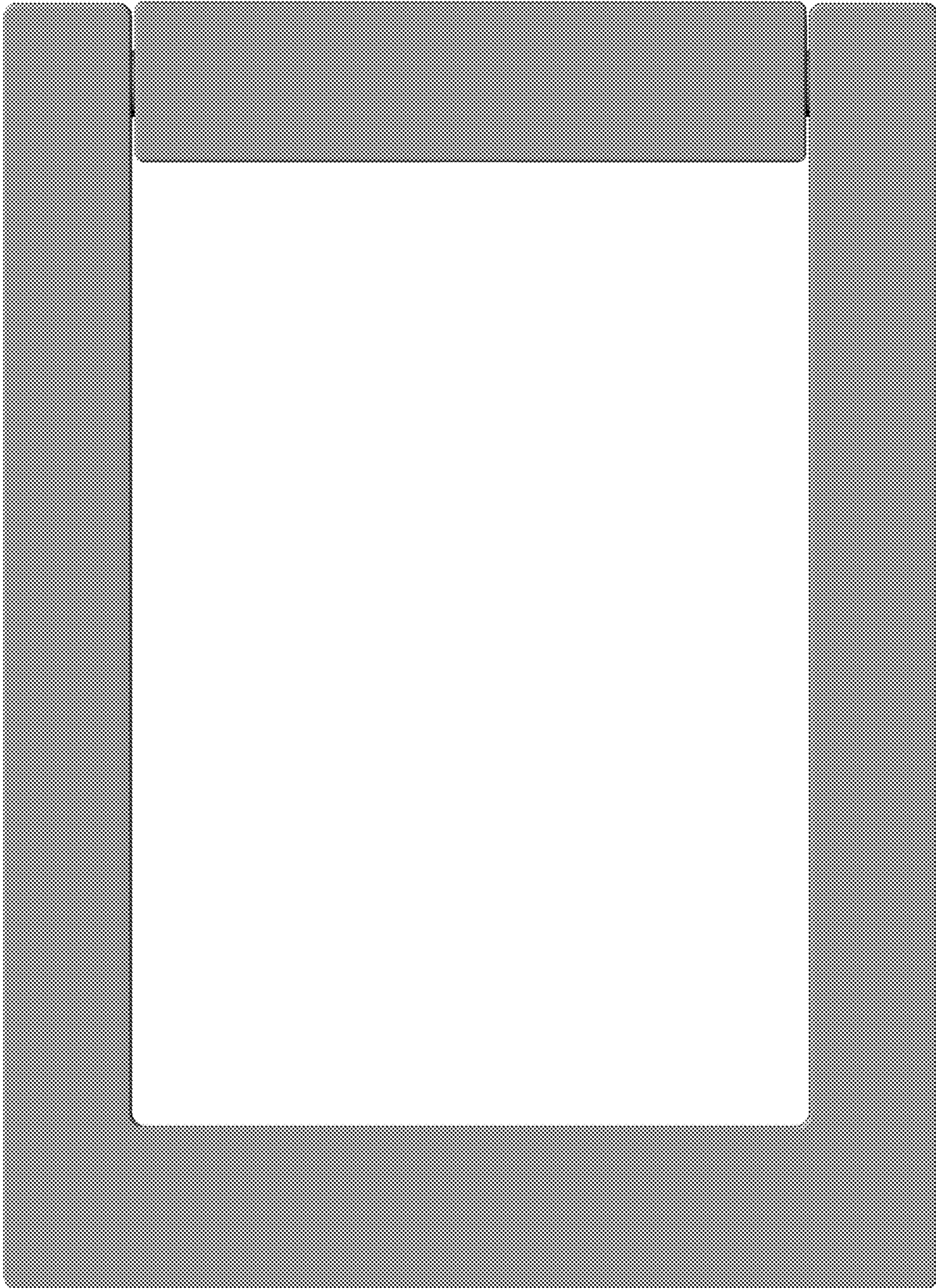


FIG. 2

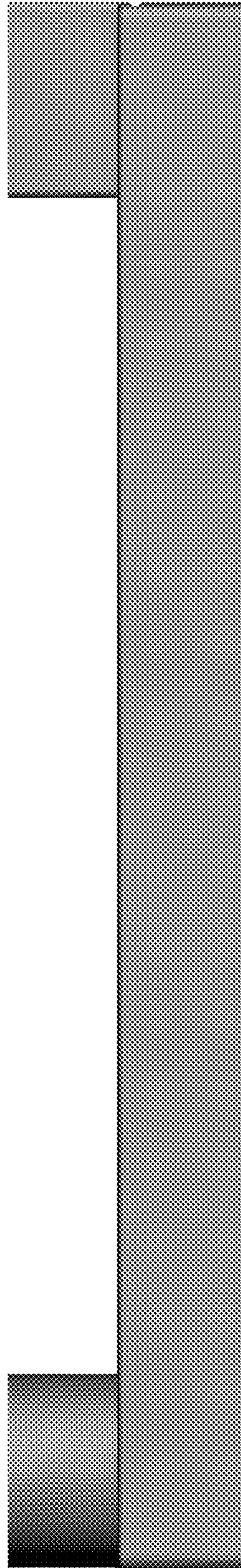


FIG. 3

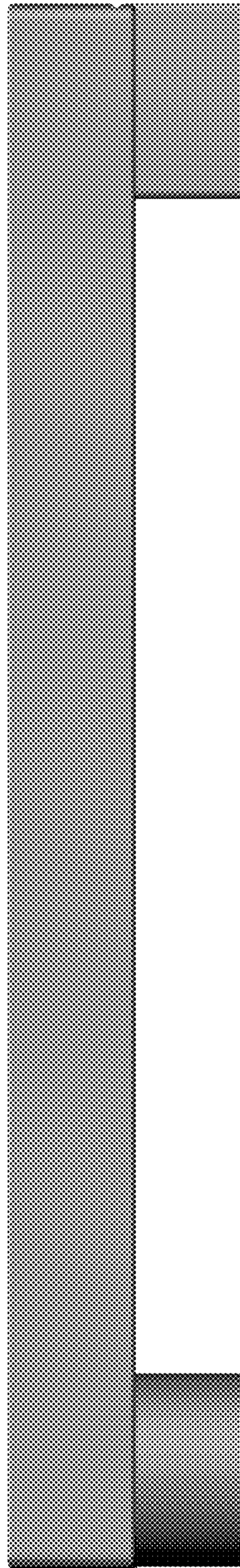


FIG. 4

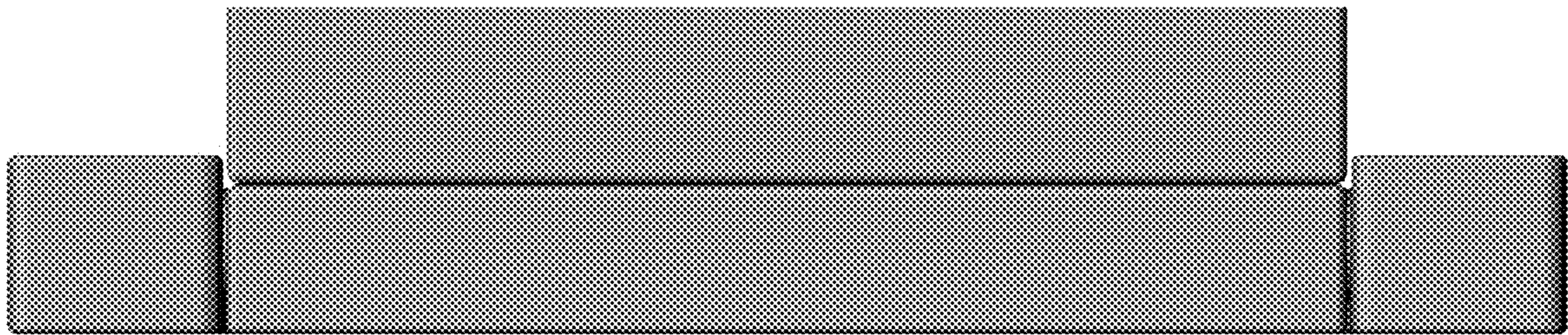


FIG. 5

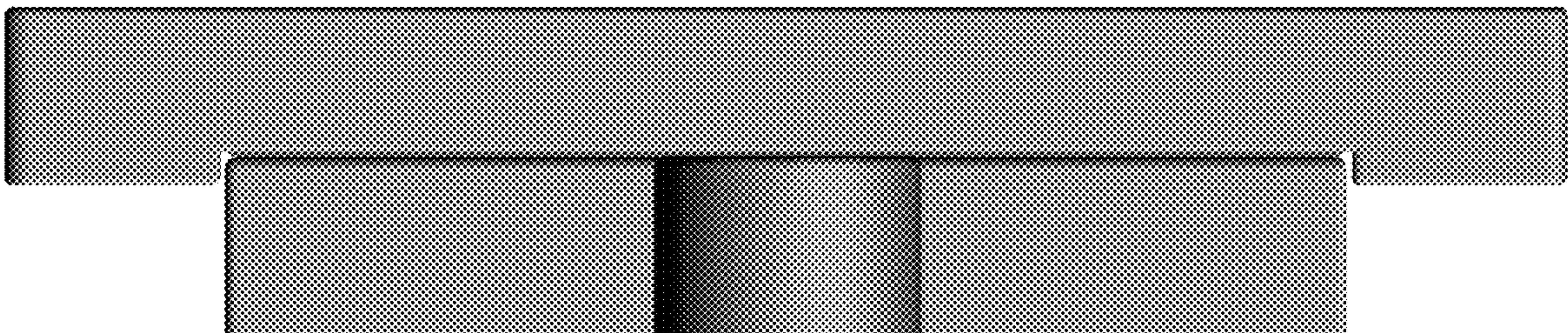


FIG. 6

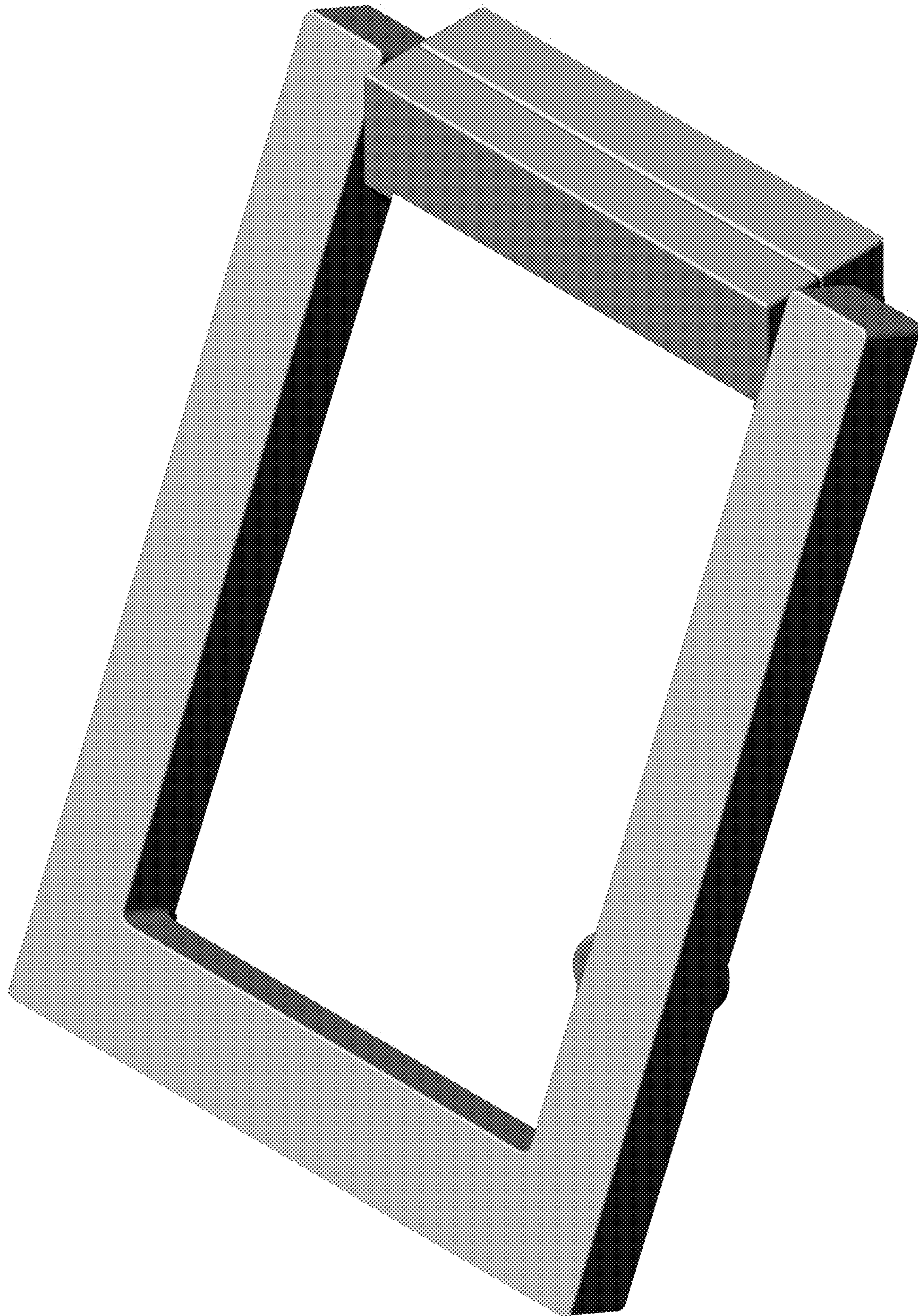


FIG. 7