



US00D956546S

(12) **United States Design Patent**  
**Barr**

(10) **Patent No.:** **US D956,546 S**

(45) **Date of Patent:** **\*\* Jul. 5, 2022**

(54) **SLOT NUT**

4,281,944 A 8/1981 Bowman  
D281,953 S \* 12/1985 Newman ..... D8/397  
4,925,337 A 5/1990 Spiess et al.  
(Continued)

(71) Applicant: **Barrco, Inc.**, Camas, WA (US)

(72) Inventor: **Aaron Barr**, Camas, WA (US)

(73) Assignee: **Barrco, Inc.**, Camas, WA (US)

(\*\*) Term: **15 Years**

(21) Appl. No.: **29/726,086**

(22) Filed: **Feb. 28, 2020**

(51) **LOC (13) Cl.** ..... **08-08**

(52) **U.S. Cl.**  
USPC ..... **D8/397**

(58) **Field of Classification Search**  
USPC ..... D8/397, 394, 382, 349, 399; 411/427,  
411/374, 366.1  
CPC ..... A61B 17/0401; E04D 13/1476; E04G  
25/065; F16B 41/002; F16B 23/0061;  
F16B 37/14; F16B 35/00  
See application file for complete search history.

(56) **References Cited**

**U.S. PATENT DOCUMENTS**

D22,813 S \* 9/1893 Rouse ..... D8/397  
2,552,794 A \* 5/1951 Kimbell ..... F16B 37/02  
411/427  
2,727,551 A \* 12/1955 Rees ..... F16B 39/34  
411/303  
3,373,789 A \* 3/1968 Parkin ..... F16B 37/043  
411/112  
3,522,830 A \* 8/1970 Blizard ..... F16B 39/34  
411/303  
3,702,628 A \* 11/1972 Cosenza ..... F16B 39/36  
411/280  
4,019,550 A \* 4/1977 DeHaitre ..... F16B 39/34  
411/303  
D244,909 S \* 7/1977 Gill ..... D8/397  
D254,292 S \* 2/1980 Kruger ..... D8/397

**FOREIGN PATENT DOCUMENTS**

GB 2527541 B 7/1999  
JP 10072841 A 3/1998  
(Continued)

**OTHER PUBLICATIONS**

English-language machine translation of abstract of Japanese Patent  
No. JP 2926542 B2, Jun. 6, 2007.  
(Continued)

*Primary Examiner* — Cynthia R Underwood  
(74) *Attorney, Agent, or Firm* — Dascenzo Gates  
Intellectual Property Law, P.C.

(57) **CLAIM**

The ornamental design for a slot nut, as shown and described.

**DESCRIPTION**

FIG. 1 is a front isometric view of a slot nut showing the design.

FIG. 2 is a bottom isometric view thereof.

FIG. 3 is a front elevation view thereof.

FIG. 4 is a rear elevation view thereof.

FIG. 5 is a left side elevation view thereof.

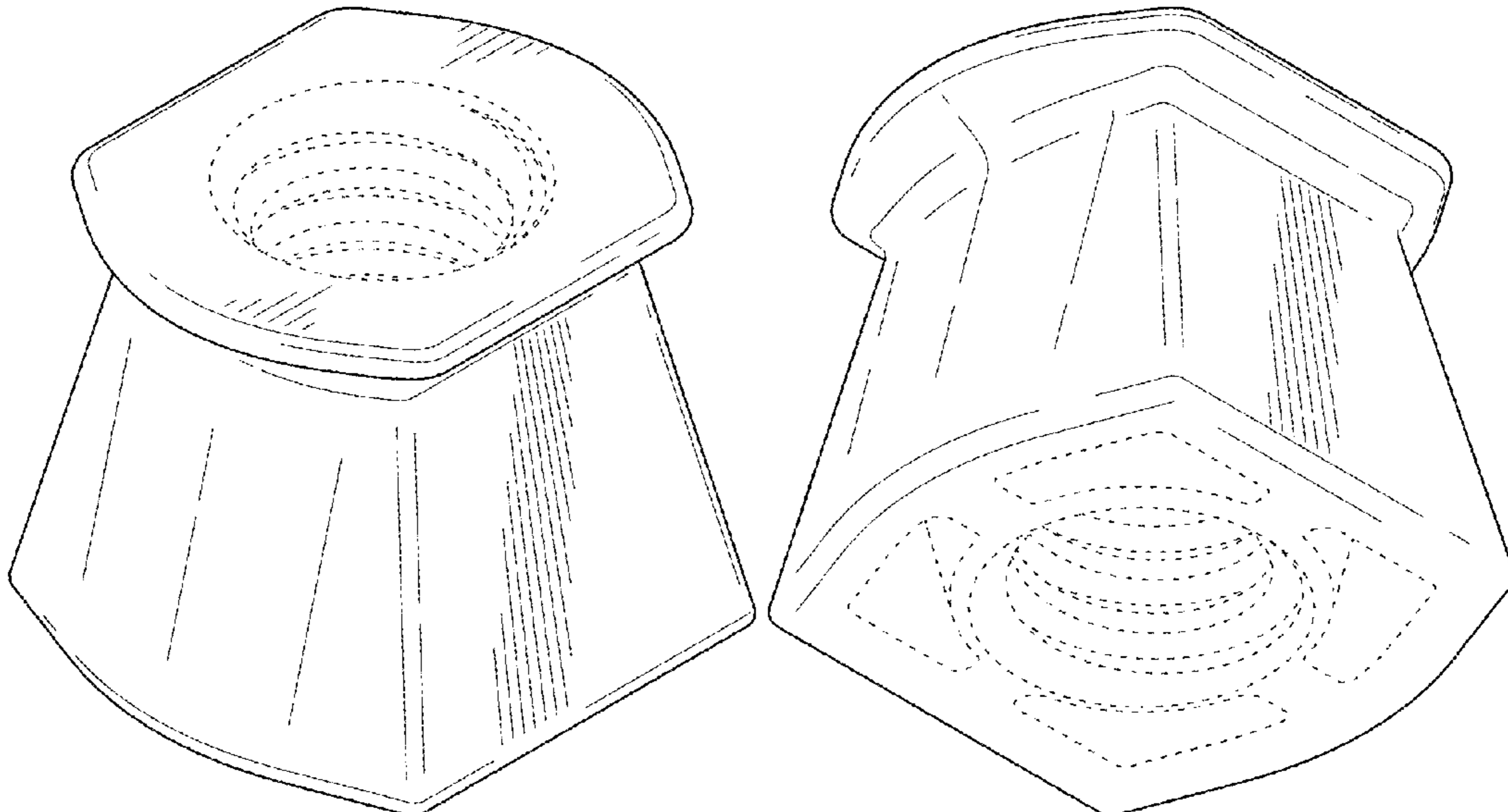
FIG. 6 is a right side elevation view thereof.

FIG. 7 is a top plan view thereof; and,

FIG. 8 is a bottom plan view thereof.

The dashed lines shown in the drawings illustrate portions of the slot nut that are not claimed and thus form no part of the claimed design. The shading lines shown in the drawings represent the three-dimensional contour of the claimed design and are not intended to indicate surface decoration.

**1 Claim, 4 Drawing Sheets**



(56)

References Cited

U.S. PATENT DOCUMENTS

D311,131 S \* 10/1990 Saito ..... D8/397  
 D385,777 S \* 11/1997 Vallery ..... D8/397  
 5,682,801 A \* 11/1997 Waechter ..... B25B 13/065  
 411/402  
 D387,657 S \* 12/1997 Holmes ..... D8/397  
 5,974,741 A 11/1999 Fukuhara  
 6,071,052 A \* 6/2000 Kerr ..... F16B 39/34  
 411/247  
 6,371,687 B1 4/2002 Heintz et al.  
 D459,207 S \* 6/2002 Miyata ..... D8/397  
 D519,076 S \* 4/2006 Fox ..... D13/133  
 D521,858 S \* 5/2006 Roy ..... D8/397  
 7,063,565 B2 \* 6/2006 Ward ..... H01R 9/0524  
 439/578  
 D576,480 S \* 9/2008 Vakiener ..... D8/397  
 D581,777 S \* 12/2008 Huang ..... D8/397  
 D614,247 S \* 4/2010 Clausen ..... D21/488  
 8,007,216 B2 \* 8/2011 Ross ..... F16B 37/122  
 411/171  
 8,696,285 B2 \* 4/2014 Bertels ..... F16B 33/02  
 411/426  
 D796,947 S \* 9/2017 Hsu ..... D8/397  
 D798,701 S \* 10/2017 Hill ..... F16B 37/14  
 D8/397  
 D802,410 S \* 11/2017 Felix ..... D8/397  
 D825,322 S \* 8/2018 Sears ..... D8/397  
 D840,797 S \* 2/2019 Bentley ..... D8/397  
 D860,774 S \* 9/2019 Epstein ..... D8/397  
 D878,194 S \* 3/2020 Lee ..... D8/397  
 D880,284 S \* 4/2020 Ferraro ..... D8/397  
 D897,830 S \* 10/2020 Roberto ..... D8/397  
 2003/0039527 A1 \* 2/2003 Schatz ..... F16B 39/282  
 411/9  
 2017/0122359 A1 \* 5/2017 Foerster, Jr. .... B23P 6/00

FOREIGN PATENT DOCUMENTS

JP 11117340 A 4/1999  
 JP 3926769 B2 3/2007  
 JP 2926542 B2 6/2007  
 KR 100560226 B1 3/2006  
 KR 1020120016566 A 2/2012  
 KR 1020170111850 A 10/2017  
 WO WO 2004/085751 A1 10/2004

OTHER PUBLICATIONS

English-language machine translation of abstract of Japanese Patent No. JP 3926769 B2, Mar. 9, 2007.  
 English-language machine translation of Japanese Patent Application Publication No. JP 10072841 A, Mar. 17, 1998.  
 English-language machine translation of Japanese Patent Application Publication No. JP 11117340 A, Apr. 27, 1999.  
 English-language machine translation of Korean Patent No. KR 100560226 B1, Mar. 6, 2006.  
 English-language machine translation of Korean Patent Application Publication No. KR 1020120016566 A, Feb. 24, 2012.  
 English-language machine translation of Korean Patent Application Publication No. KR 1020170111850 A, Oct. 12, 2017.  
 FK Automotive tapered lug nut product page: [www.fk-shop.de/en/Wheel-Spacers/Wheel-bolts/single-Wheel-nut-length-34mm-taper-flange-M12x1-75-silver.html](http://www.fk-shop.de/en/Wheel-Spacers/Wheel-bolts/single-Wheel-nut-length-34mm-taper-flange-M12x1-75-silver.html), available at least as early as Oct. 13, 2016.  
 3D24 tapered T-slot nut product page: [www.3d24.eu/T-Slot-Nut-Sliding-Block-Slot-8-Type-B-with-step-heavy-duty-steel](http://www.3d24.eu/T-Slot-Nut-Sliding-Block-Slot-8-Type-B-with-step-heavy-duty-steel), available at least as early as Dec. 16, 2013.  
 MidFix wedge nuts product page: [www.midfix.co.uk/product/wedge-nuts-mini-mini](http://www.midfix.co.uk/product/wedge-nuts-mini-mini), available at least as early as May 6, 2018.

\* cited by examiner

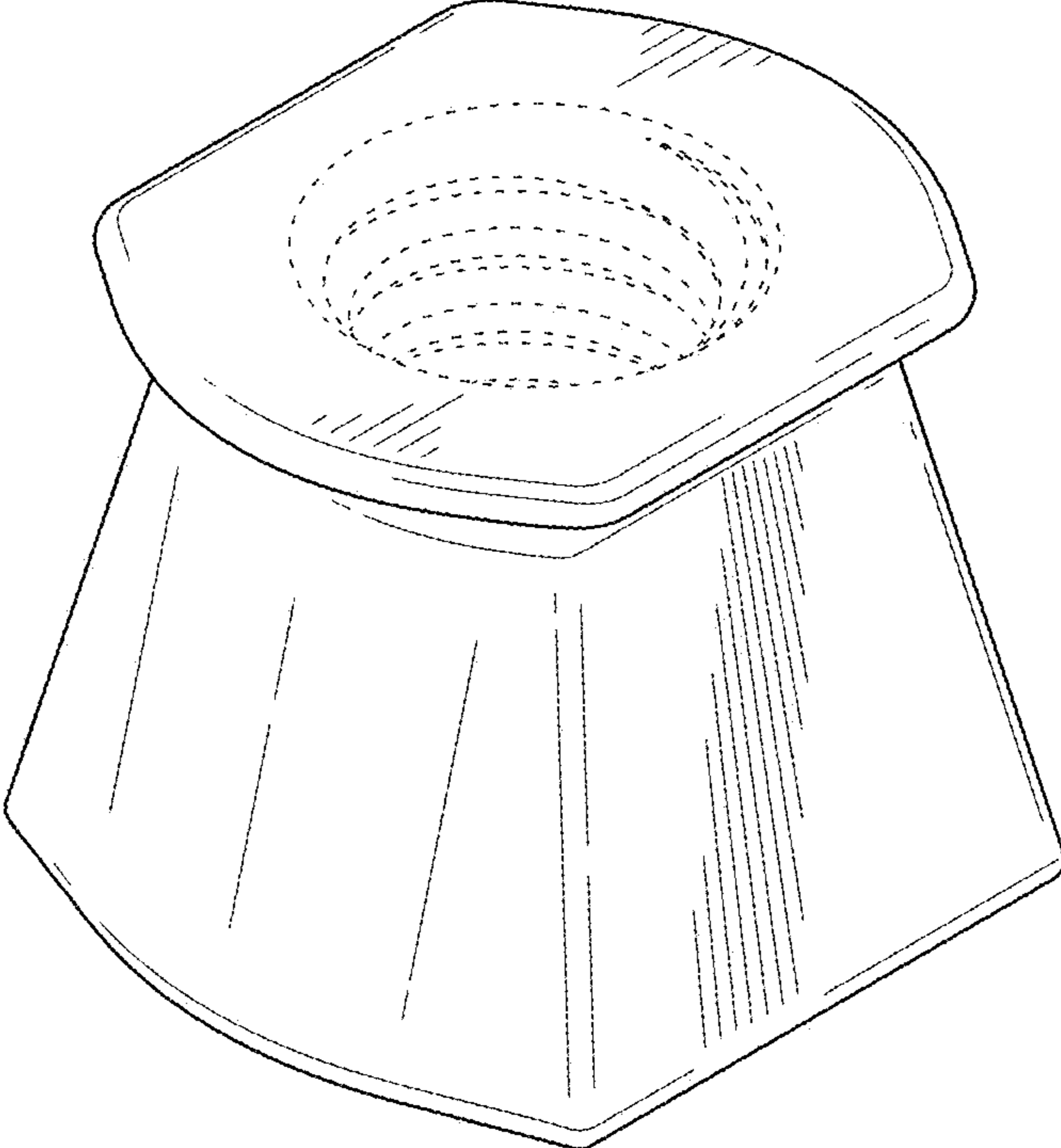


FIG. 1

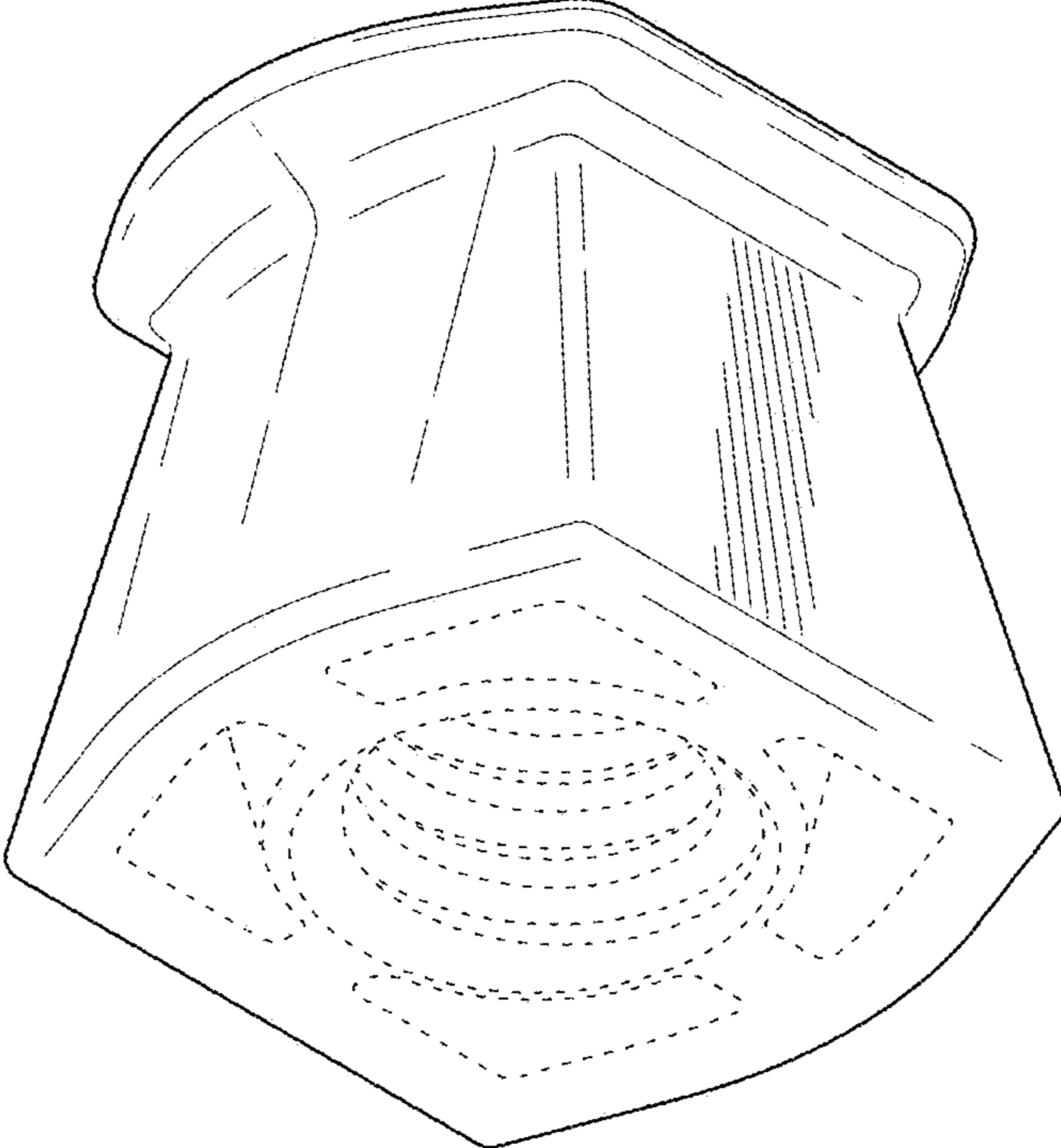


FIG. 2

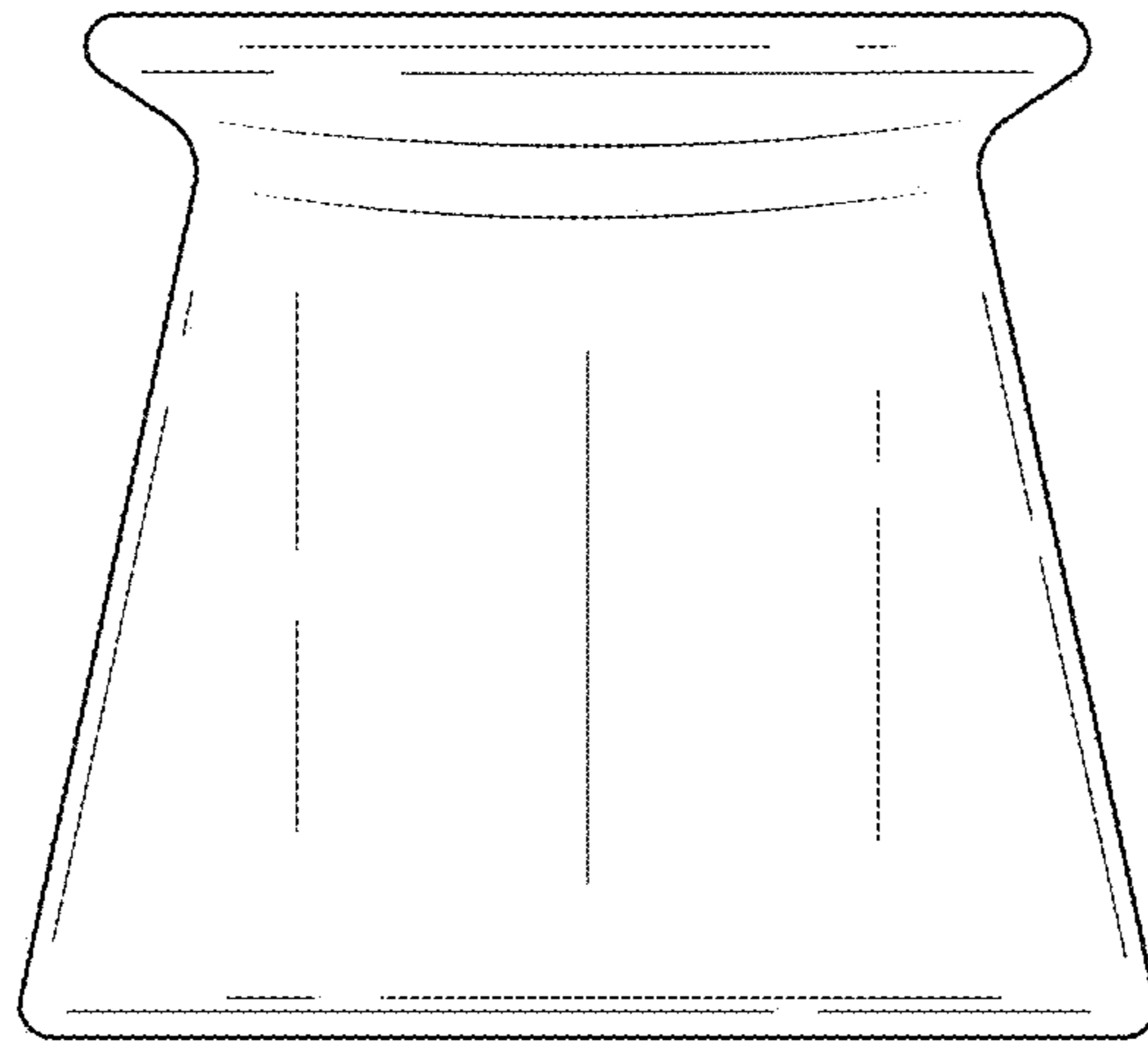


FIG. 3

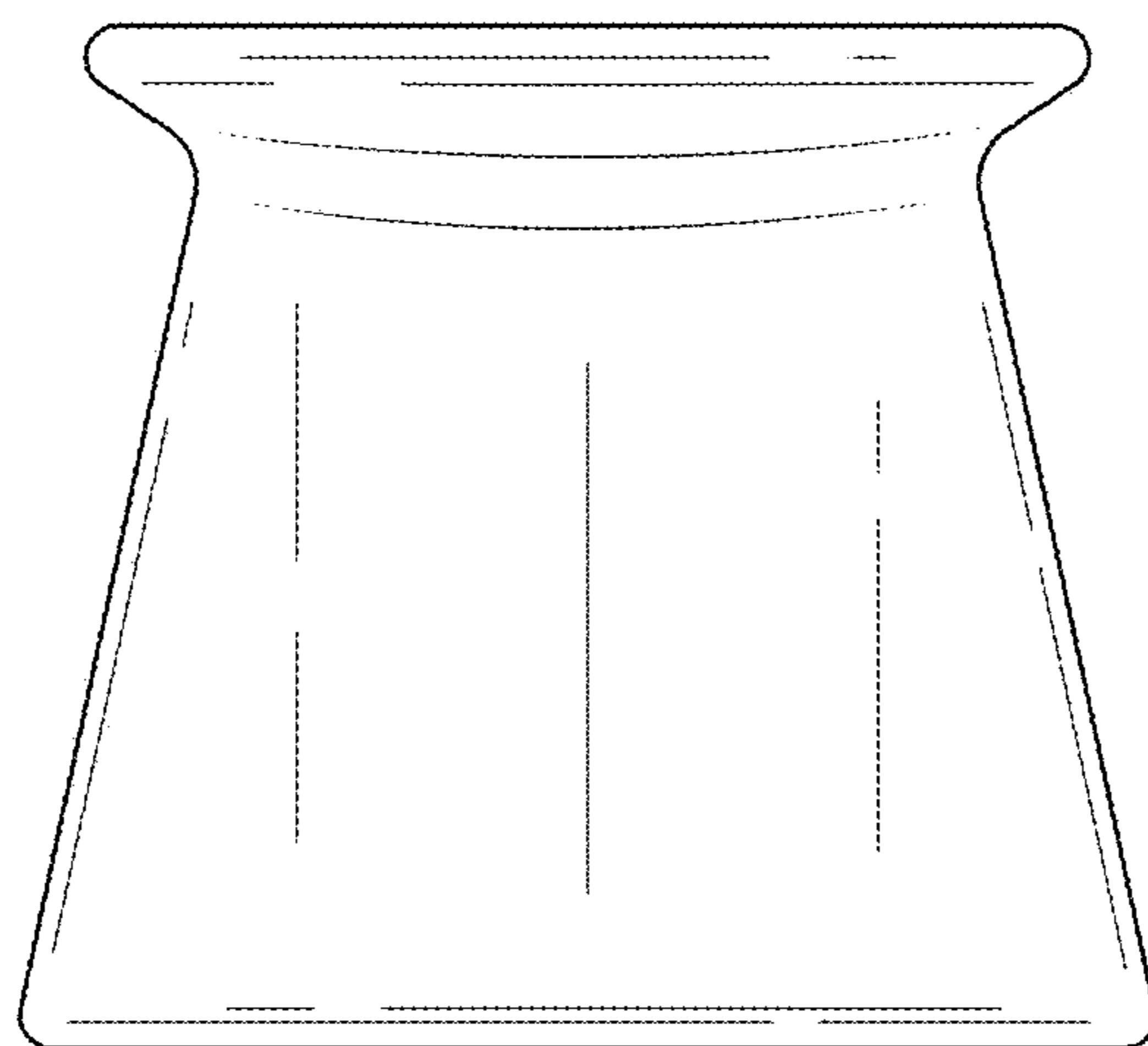


FIG. 4



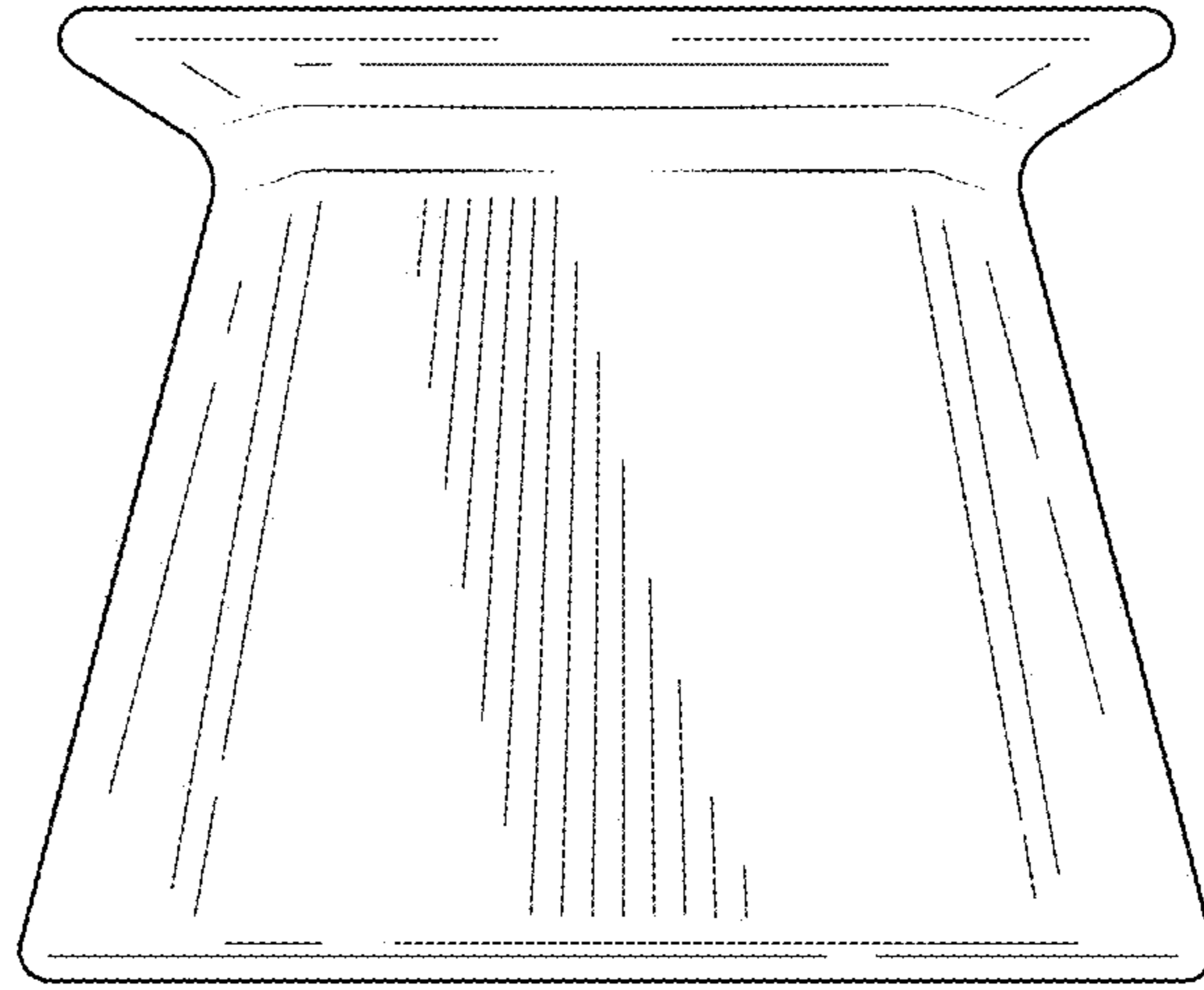


FIG. 5

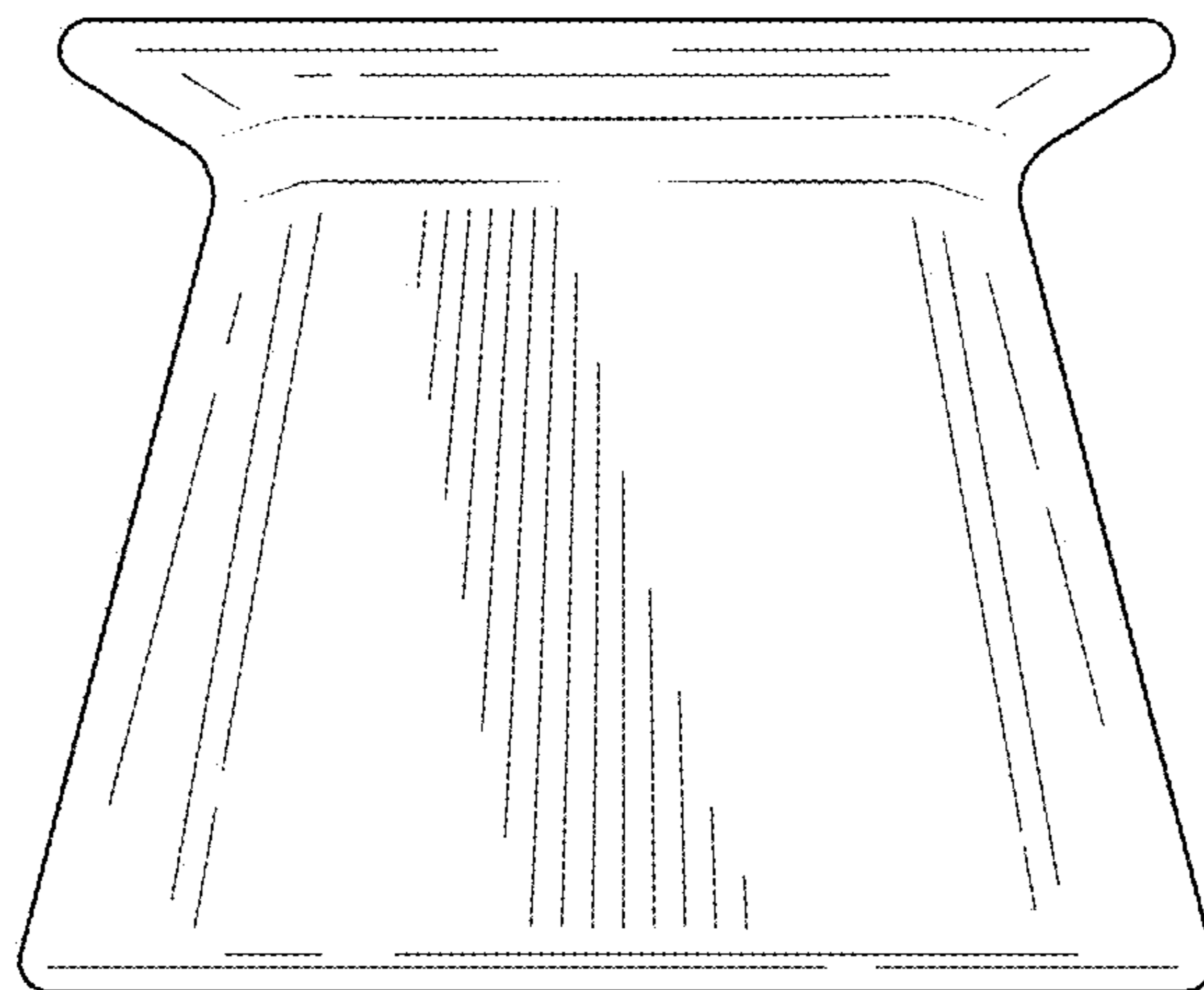


FIG. 6

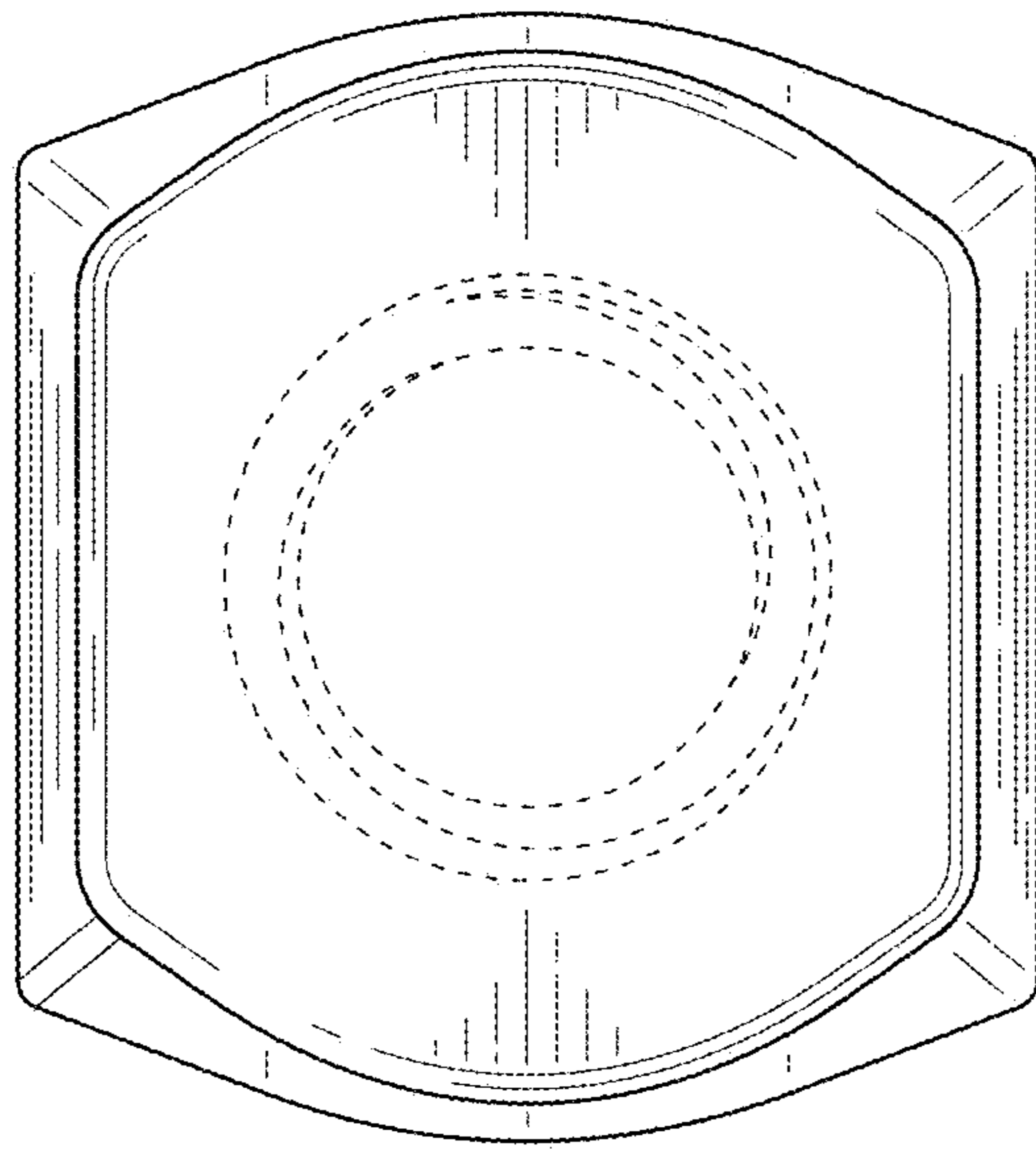


FIG. 7

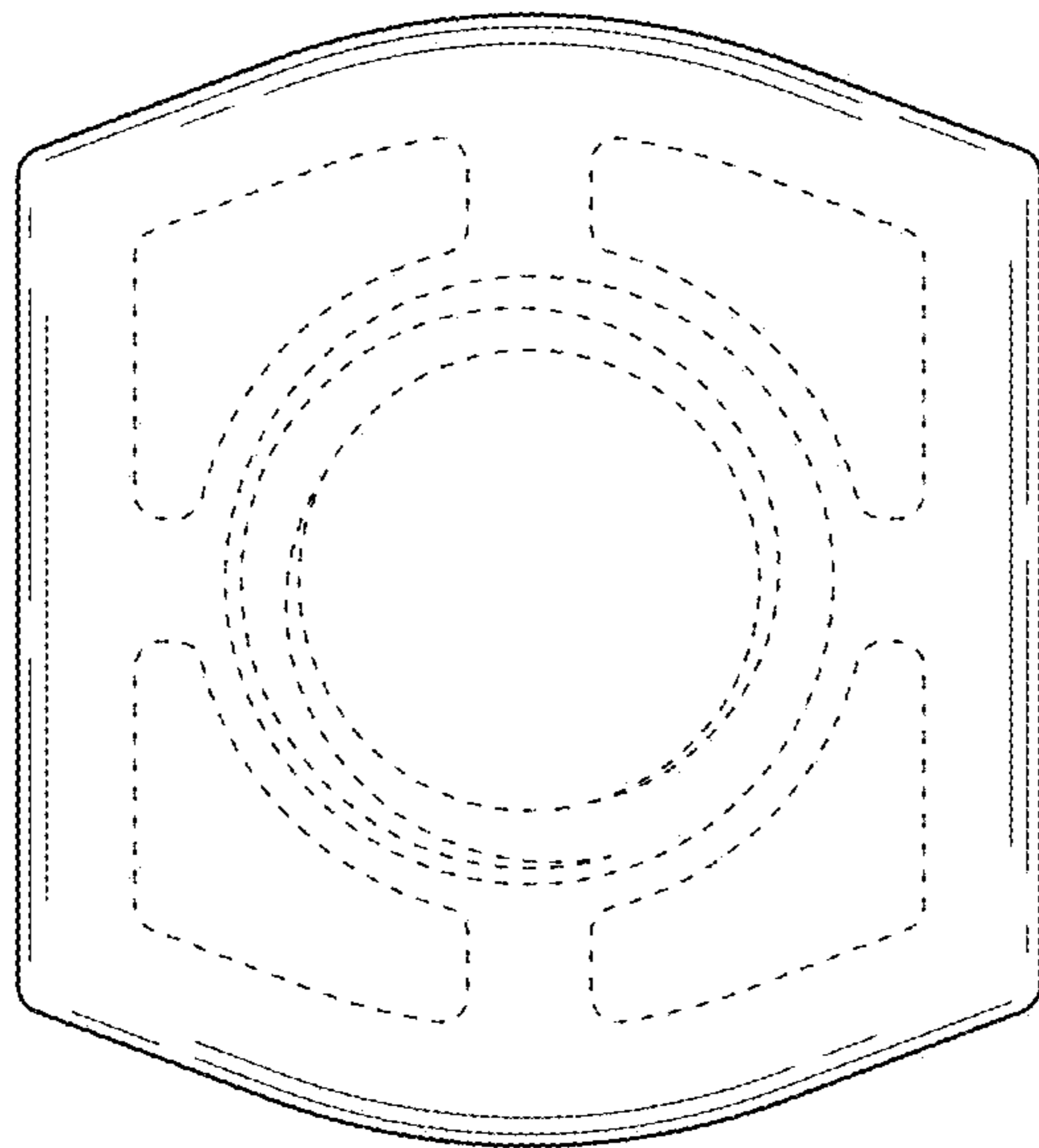


FIG. 8