



US00D956544S

(12) **United States Design Patent**
Ricehouse

(10) **Patent No.:** **US D956,544 S**
(45) **Date of Patent:** **** Jul. 5, 2022**

(54) **BOLT**
(71) Applicant: **Wheel Pros, LLC**, Greenwood Village, CO (US)
(72) Inventor: **Daniel I. Ricehouse**, Phoenix, AZ (US)
(73) Assignee: **Wheel Pros, LLC**, Greenwood Village, CO (US)

3,508,593 A * 4/1970 Gill F16B 37/00
411/970
4,621,962 A * 11/1986 Rozniecki F16B 5/025
411/539
4,884,933 A * 12/1989 Preusker F16B 37/14
403/287
6,024,522 A * 2/2000 Bainbridge F16B 37/14
411/429
6,106,077 A * 8/2000 Kluge B60B 3/165
411/533

(Continued)

(**) Term: **15 Years**
(21) Appl. No.: **29/757,533**

FOREIGN PATENT DOCUMENTS

(22) Filed: **Nov. 6, 2020**
(51) **LOC (13) Cl.** **08-08**
(52) **U.S. Cl.**
USPC **D8/387**

CN 301692610 * 10/2011
CN 302516262 * 7/2013

(Continued)

(58) **Field of Classification Search**
USPC D8/387, 384, 385, 388, 386
CPC F16B 23/0007; F16B 23/0015; F16B
23/0023; F16B 23/003; F16B 23/0038;
F16B 23/0046; F16B 23/0053; F16B
23/0061; F16B 23/0069; F16B 23/0076;
F16B 19/00; F16B 19/02; F16B 25/001;
F16B 25/0015; F16B 25/0021; F16B
25/0026; F16B 25/0031; F16B 25/0036;
F16B 25/0042; F16B 33/00; F16B
33/006; F16B 33/008; F16B 33/02; F16B
35/002; F16B 35/005; F16B 35/007;
F16B 35/02; F16B 35/04; F16B 35/041;
F16B 35/042; F16B 35/044; F16B
35/045; F16B 35/047; F16B 35/048;
F16B 35/06

OTHER PUBLICATIONS

NewYall Pack of 20 Black Wheel Bolt Lug Nut, "Date First Available" via Amazon: Jan. 3, 2020, Image retrieved on: Apr. 27, 2022 (online), https://www.amazon.com/NewYall-Pack-Black-Wheel-Bolt/dp/B083FFPHJS/?_encoding=UTF8&pd_rd_w=xfB6q&pf_rd_p=bbb6bbd8-d236-47cb-b42f-734cb0cacc1f&pf_rd_r=7HRN5KSW74GHYTMQVR19&pd_rd_r=8d20adce-ad7a-4216-8888-a143486b725f&pd_rd_wg=Sic22&ref_=pd_gw_ci_mcx_mi.*

Primary Examiner — Sheryl Lane
Assistant Examiner — Ieisha N Price
(74) *Attorney, Agent, or Firm* — Eric Hanscom

See application file for complete search history.

(57) **CLAIM**

The ornamental design for a bolt, as shown and described.

DESCRIPTION

(56) **References Cited**
U.S. PATENT DOCUMENTS

1,928,068 A * 9/1933 Michelin F16B 5/02
301/35.626
3,491,630 A * 1/1970 Mielke F16B 35/06
411/368

FIG. 1 is a perspective view of a bolt showing my new design;
FIG. 2 is a front view thereof;
FIG. 3 is a back view thereof;
FIG. 4 is a top view thereof;
FIG. 5 is a bottom view thereof;

(Continued)

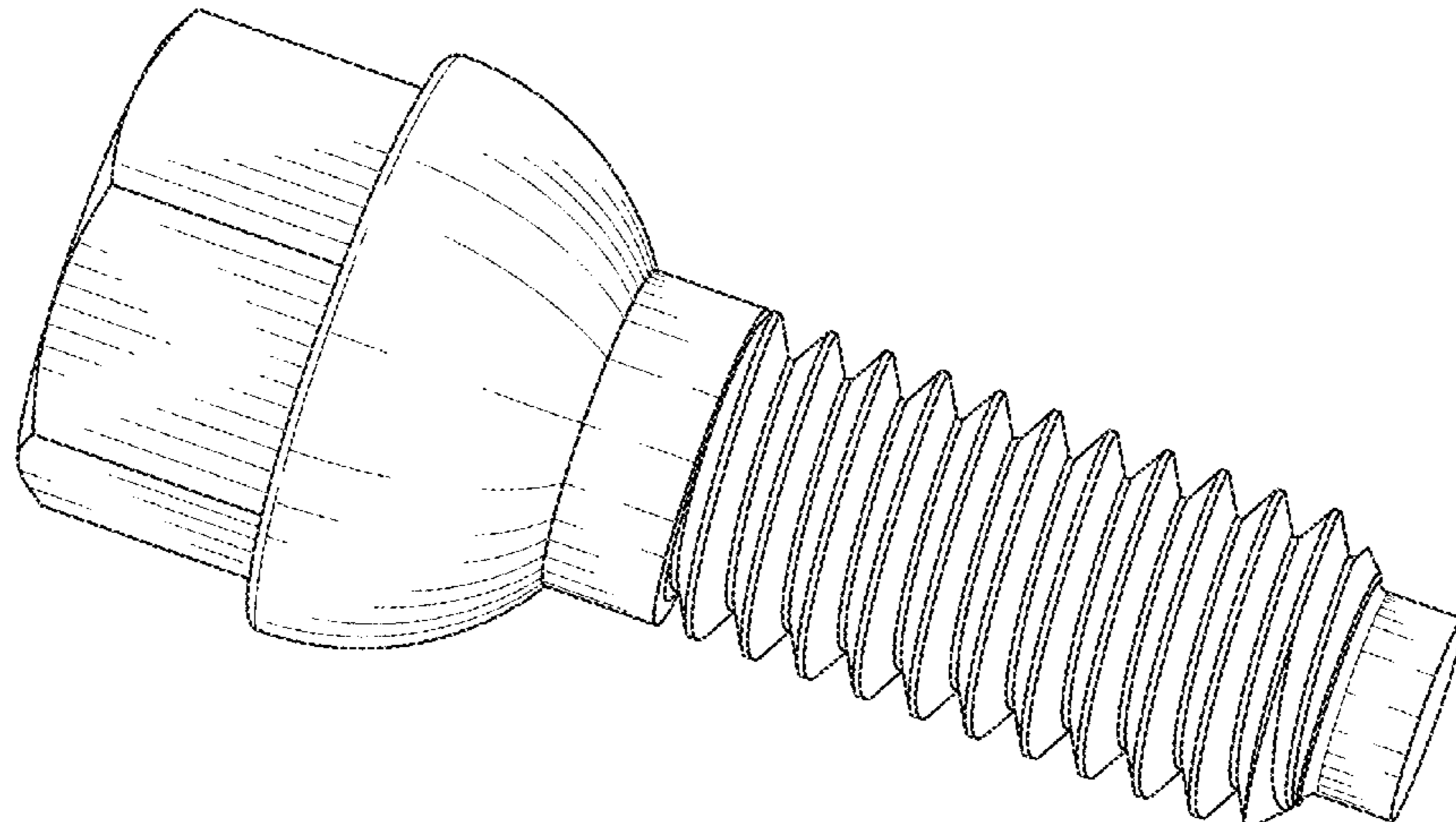


FIG. 6 is a right-side view thereof; and,
FIG. 7 is a left-side view thereof.

1 Claim, 4 Drawing Sheets

(56)

References Cited

U.S. PATENT DOCUMENTS

D455,636	S *	4/2002	Gilbert	D8/387
D584,137	S *	1/2009	Edge, Jr.	D8/387
7,857,563	B2 *	12/2010	Pratt	F16B 19/1054
					411/34
D779,930	S *	2/2017	Chen	D8/387
D787,924	S *	5/2017	Baiz	D8/387
D792,201	S *	7/2017	Baiz	D8/387
D803,038	S *	11/2017	Baker	D8/387
10,221,946	B1 *	3/2019	Pai	G05G 5/08
D918,700	S *	5/2021	Ricehouse	D8/387
D918,701	S *	5/2021	Ricehouse	D8/387
2002/0015628	A1 *	2/2002	Hartmann	F16B 35/06
					411/161
2002/0106260	A1 *	8/2002	Schenk	F16B 35/06
					411/399
2004/0101382	A1 *	5/2004	Hofschneider	B60B 3/16
					411/402
2005/0079012	A1 *	4/2005	Mochizuki	F16L 21/065
					403/309
2005/0081578	A1 *	4/2005	Yoon	F16B 33/002
					68/3 R
2005/0281611	A1 *	12/2005	Matczak	F16C 33/74
					403/122

2006/0228575	A1 *	10/2006	Klos	C25D 5/48
					428/621
2007/0041807	A1 *	2/2007	Gouda	F16B 35/06
					411/373
2009/0129887	A1 *	5/2009	Chang	F16B 23/003
					411/402
2011/0070051	A1 *	3/2011	Chang	F16B 23/0092
					411/405
2011/0116891	A1 *	5/2011	Notaro	F16B 41/005
					411/372.5
2013/0287519	A1 *	10/2013	Weiss	F16B 43/02
					411/147
2014/0363255	A1 *	12/2014	Kishida	F16B 5/0275
					411/372.6
2017/0232830	A1 *	8/2017	Waskie	F16B 21/075
					180/291
2017/0328397	A1 *	11/2017	Spolander	F16B 31/021
2017/0343030	A1 *	11/2017	Freyermuth	F16B 33/004
2017/0363129	A1 *	12/2017	Bada	B60B 29/003
2018/0258975	A1 *	9/2018	Polidori	F16B 37/14
2018/0335067	A1 *	11/2018	Owen	F16B 35/045
2020/0072272	A1 *	3/2020	Kaneda	F16B 39/30
2020/0109734	A1 *	4/2020	Slater	F16B 19/02
2020/0200206	A1 *	6/2020	Coetzer	F16B 31/021

FOREIGN PATENT DOCUMENTS

CN	302648076	*	11/2013
CN	302648103	*	11/2013
CN	303436225	*	11/2015
CN	304611418	*	5/2018
CN	305918303	*	7/2020
CN	306228647	*	12/2020
CN	306228648	*	12/2020
RU	00114681	*	5/2019

* cited by examiner

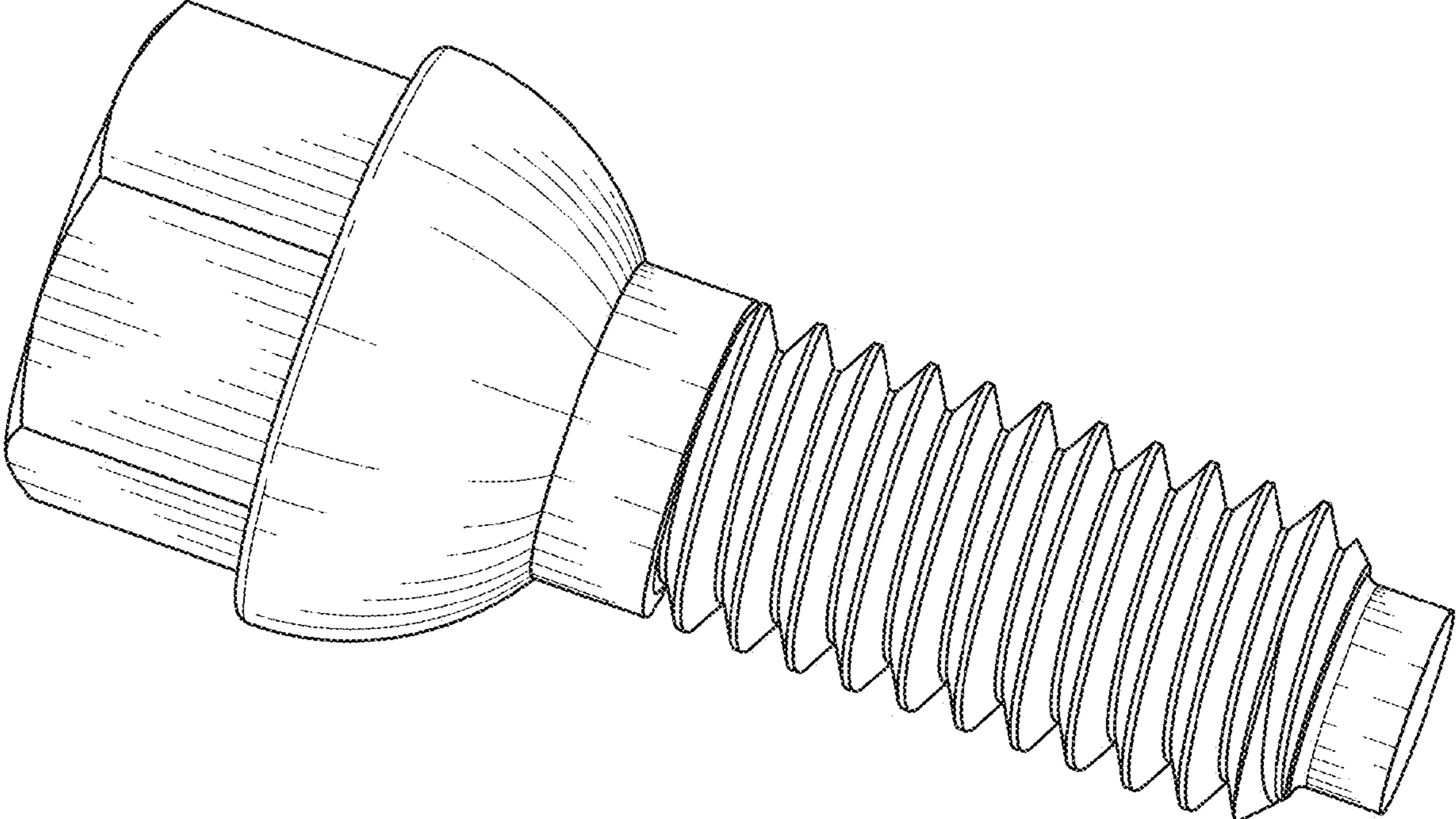


FIG. 1

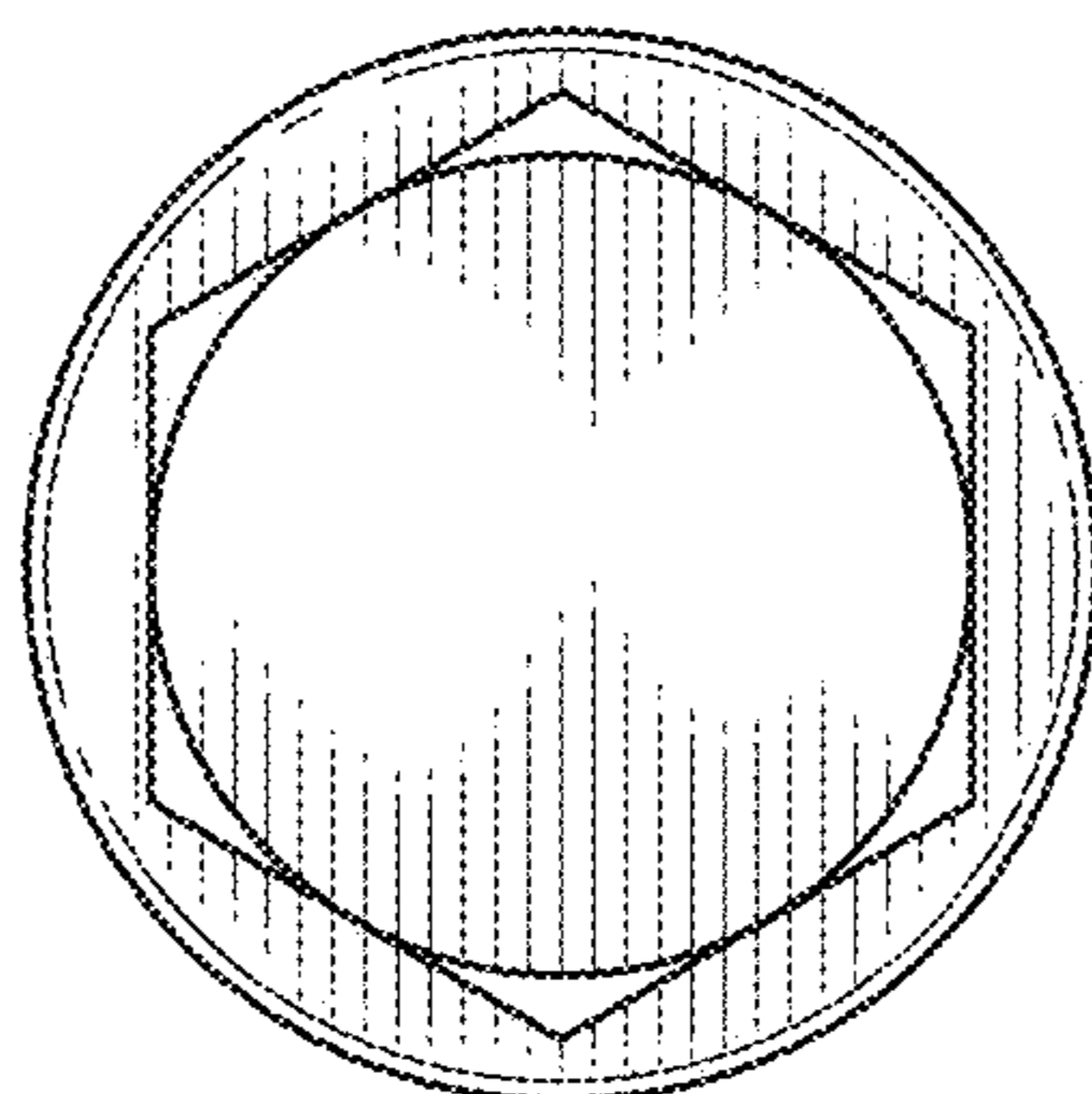


FIG. 2

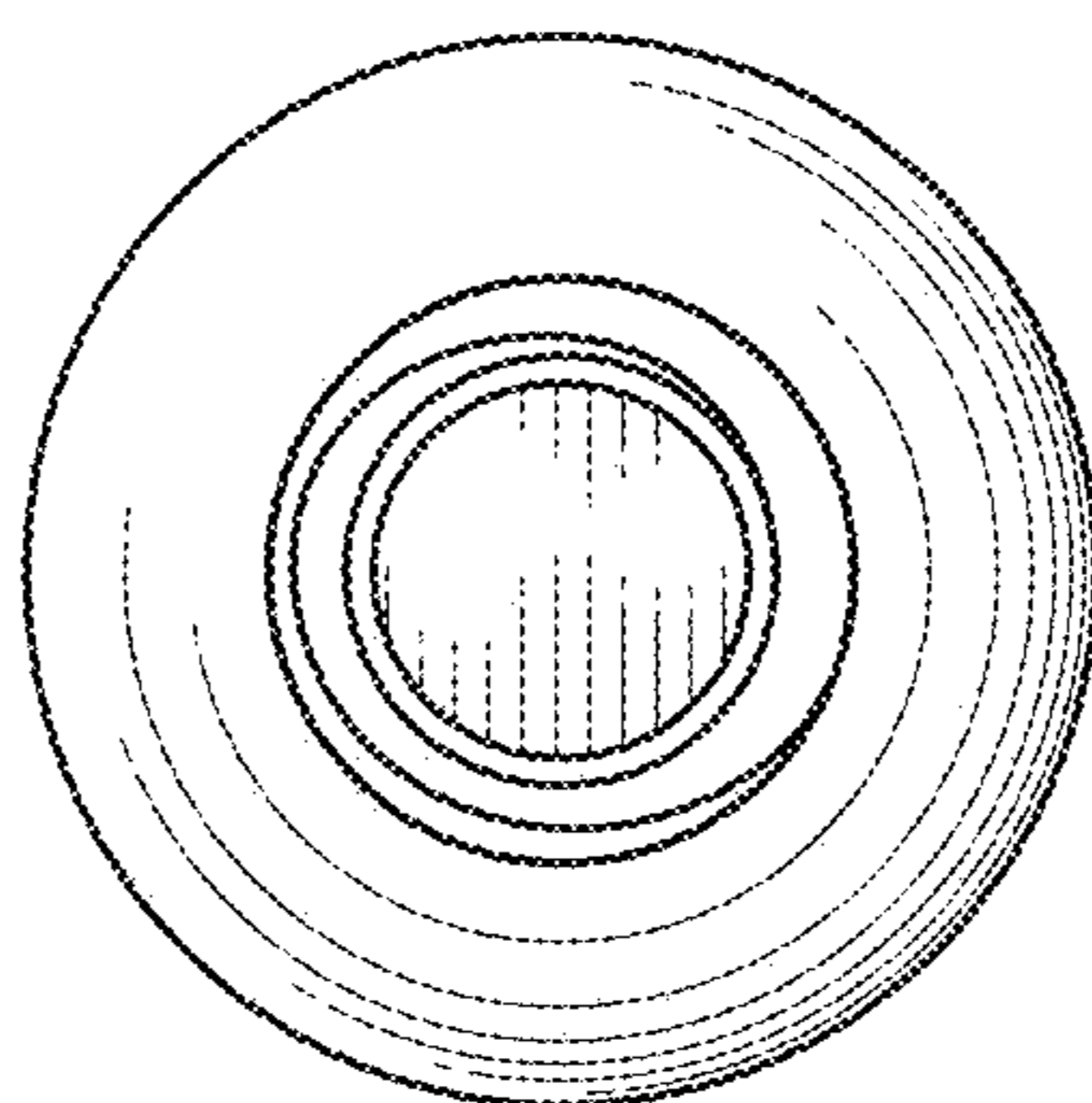


FIG. 3

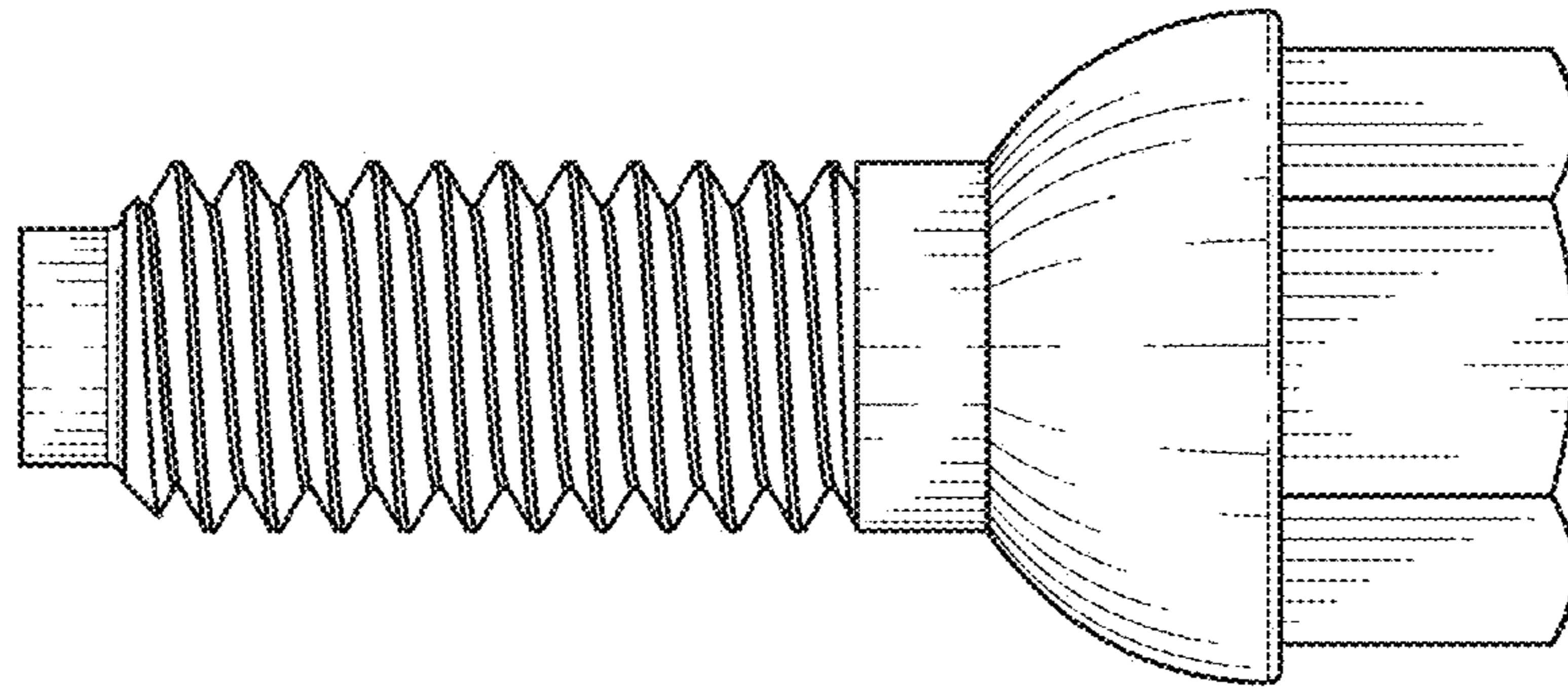


FIG. 4

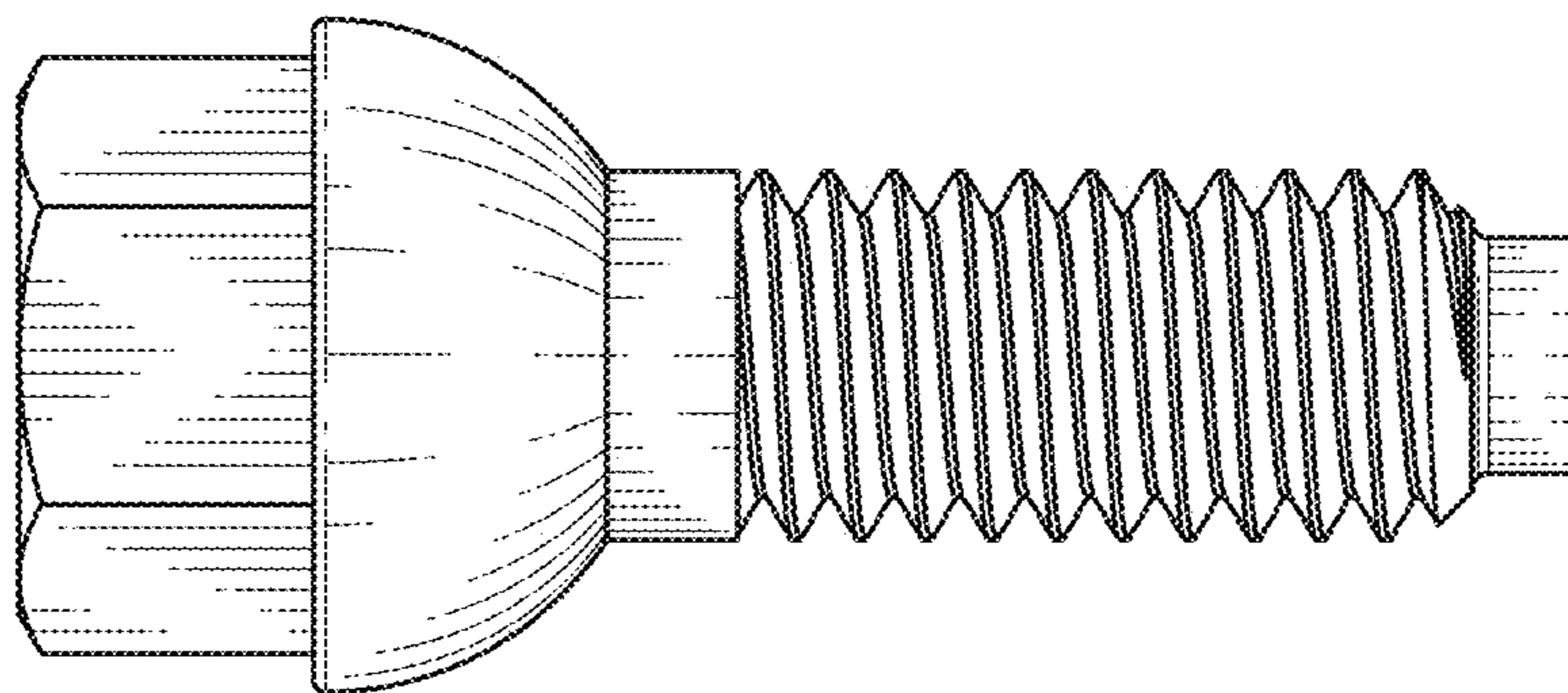


FIG. 5

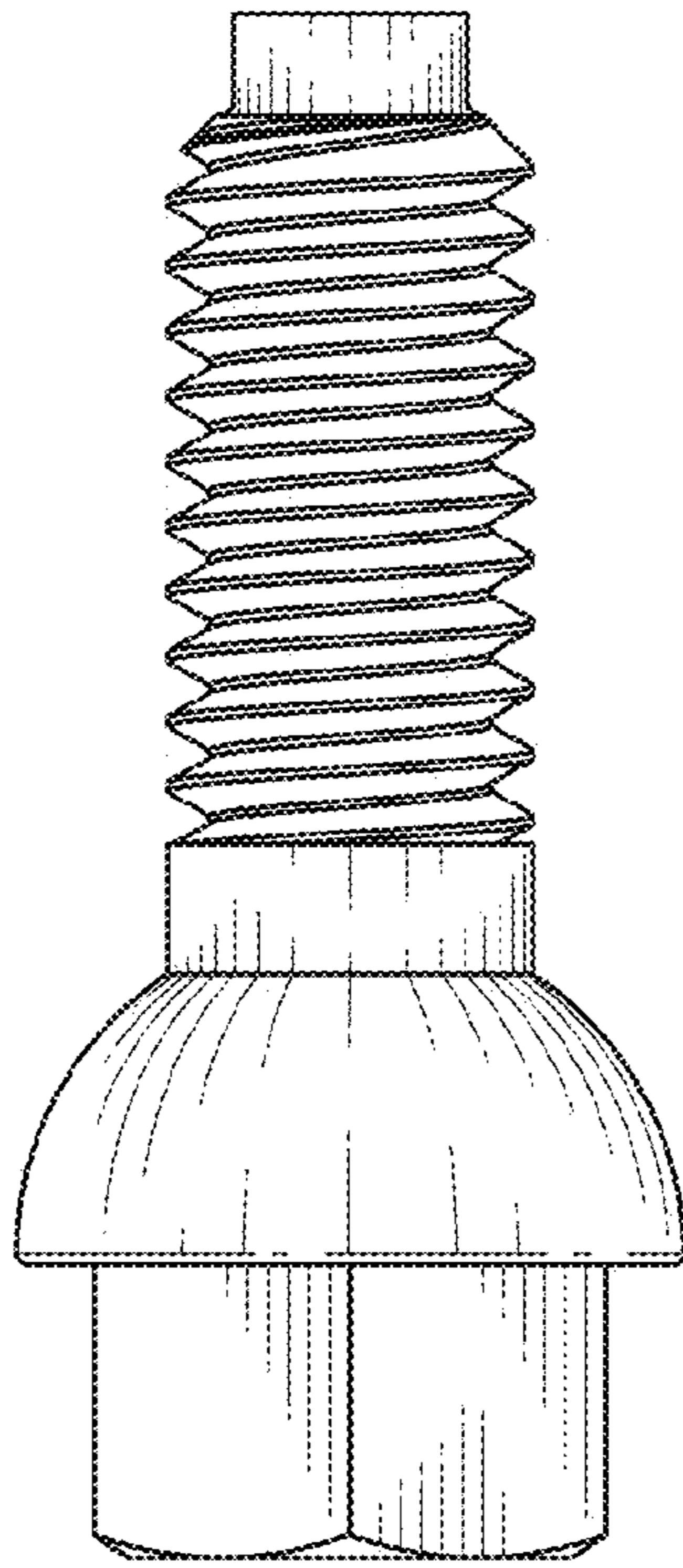


FIG. 6

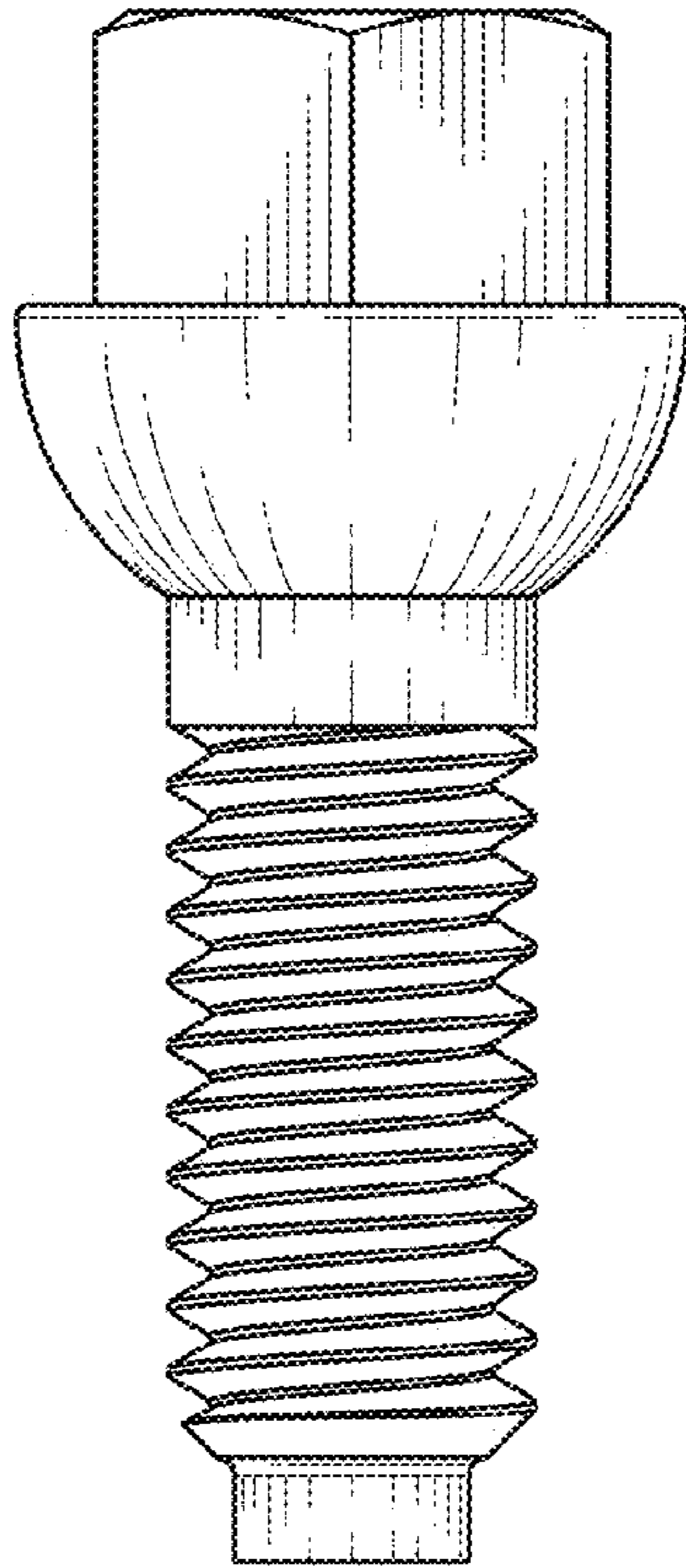


FIG. 7