



US00D956541S

(12) **United States Design Patent**
Bixel

(10) **Patent No.:** **US D956,541 S**

(45) **Date of Patent:** **** Jul. 5, 2022**

(54) **ACOUSTIC CEILING BAFFLE PORTION**

(71) Applicant: **Nut Shell LLC**, Redmond, WA (US)

(72) Inventor: **Douglas Allan Bixel**, Redmond, WA (US)

(73) Assignee: **Nut Shell LLC**, Redmond, WA (US)

(**) Term: **15 Years**

(21) Appl. No.: **29/731,524**

(22) Filed: **Apr. 15, 2020**

(51) **LOC (13) Cl.** **08-08**

(52) **U.S. Cl.**
USPC **D8/382**

(58) **Field of Classification Search**

USPC D8/382, 394, 373, 354, 383

CPC ... E04B 9/34; E04B 9/36; E04B 9/363; E04B

9/22; E04B 9/28; E04B 9/10; E04B

9/366; E04B 2001/2409

See application file for complete search history.

(56) **References Cited**

U.S. PATENT DOCUMENTS

3,969,870 A * 7/1976 Deaton F21V 11/06

52/645

4,200,171 A * 4/1980 Seymour E04B 1/86

181/291

4,658,562 A * 4/1987 Brugman E04B 9/34

52/665

(Continued)

FOREIGN PATENT DOCUMENTS

DE 202016001604 4/2016

DE 202015000968 5/2016

(Continued)

OTHER PUBLICATIONS

BIXEL , Office Action dated Jan. 21, 2022 for U.S. Appl. No. 17/230,554.

Primary Examiner — Doris Clark

(74) *Attorney, Agent, or Firm* — Dorsey & Whitney LLP

(57) **CLAIM**

The ornamental design for an acoustic ceiling baffle portion, as shown and described.

DESCRIPTION

FIG. 1 is a front isometric view of an acoustic ceiling baffle portion showing my new design according to a first embodiment, shown in environmental use.

FIG. 2 is an isometric detailed view of FIG. 1, shown in environmental use.

FIG. 3 is an isometric detailed view of FIG. 1.

FIG. 4 is a front view the acoustic ceiling baffle portion according to the first embodiment.

FIG. 5 is a front detailed view of FIG. 4.

FIG. 6 is a top view the acoustic ceiling baffle portion, according to the first embodiment.

FIG. 7 is a top detailed view of FIG. 6.

FIG. 8 is a front isometric view of an acoustic ceiling baffle portion showing my new design according to a second embodiment, shown in environmental use.

FIG. 9 is an isometric detailed view of FIG. 8, shown in environmental use.

FIG. 10 is an isometric detailed view of FIG. 8.

FIG. 11 is a front view the acoustic ceiling baffle portion according to the second embodiment.

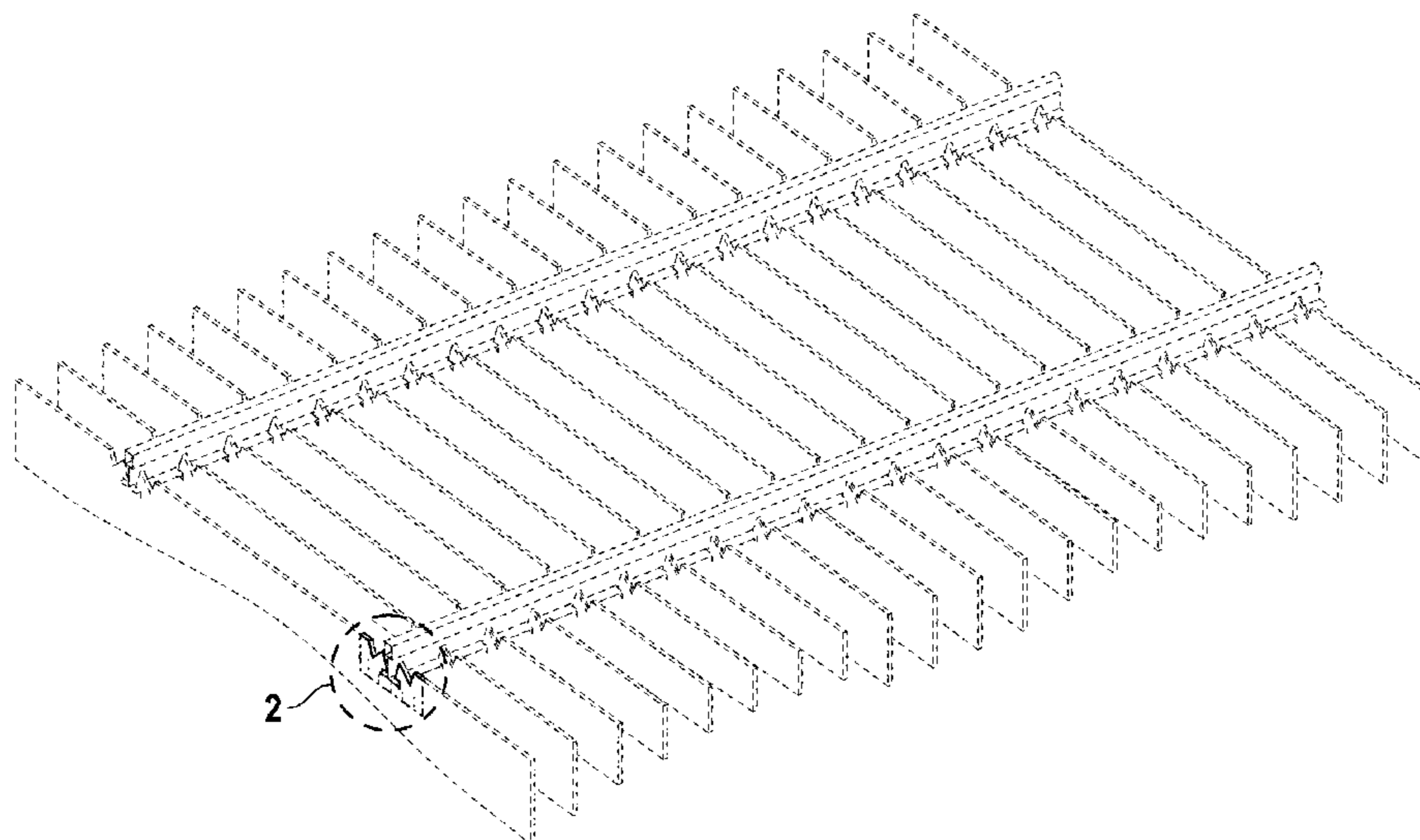
FIG. 12 is a front detailed view of FIG. 11.

FIG. 13 is a top view the acoustic ceiling baffle portion, according to the second embodiment; and,

FIG. 14 is a top detailed view of FIG. 13.

The dashed broken lines show unclaimed portions of acoustic ceiling baffle portion and form no part of the claimed design. The environmental features illustrated in FIGS. 1, 2, 8, and 9 form no part of the claimed design. The dashed-dotted lines show unclaimed boundaries between claimed and unclaimed subject matter.

1 Claim, 8 Drawing Sheets



(56)

References Cited

U.S. PATENT DOCUMENTS

6,260,325 B1 * 7/2001 Wendt E04B 9/28
52/762
D723,359 S * 3/2015 O'Connor D8/382
9,328,510 B1 * 5/2016 Springer E04B 9/0435
9,353,521 B2 5/2016 Waters
D852,029 S * 6/2019 Imai D8/382
10,407,904 B2 9/2019 Gillette et al.
10,508,444 B2 12/2019 Gillette et al.
10,584,488 B2 3/2020 Gillette et al.
2006/0165482 A1 * 7/2006 Olberding E04B 1/24
403/381
2015/0068135 A1 * 3/2015 Waters E04B 9/00
52/39
2020/0002942 A1 1/2020 Headley et al.
2021/0324627 A1 10/2021 Bixel

FOREIGN PATENT DOCUMENTS

EP 3073021 9/2016
WO 2020124131 6/2020

* cited by examiner

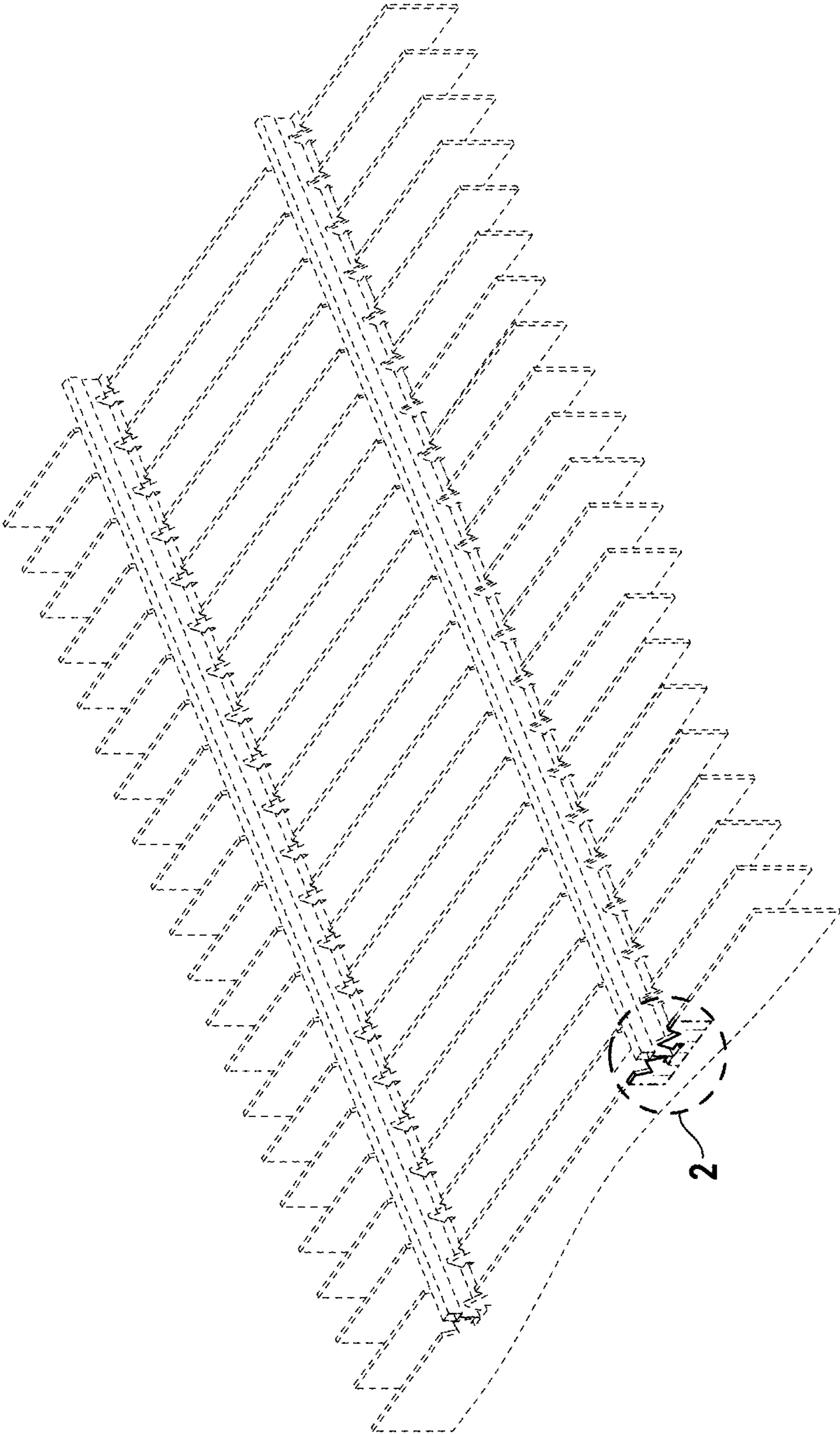


FIG. 1

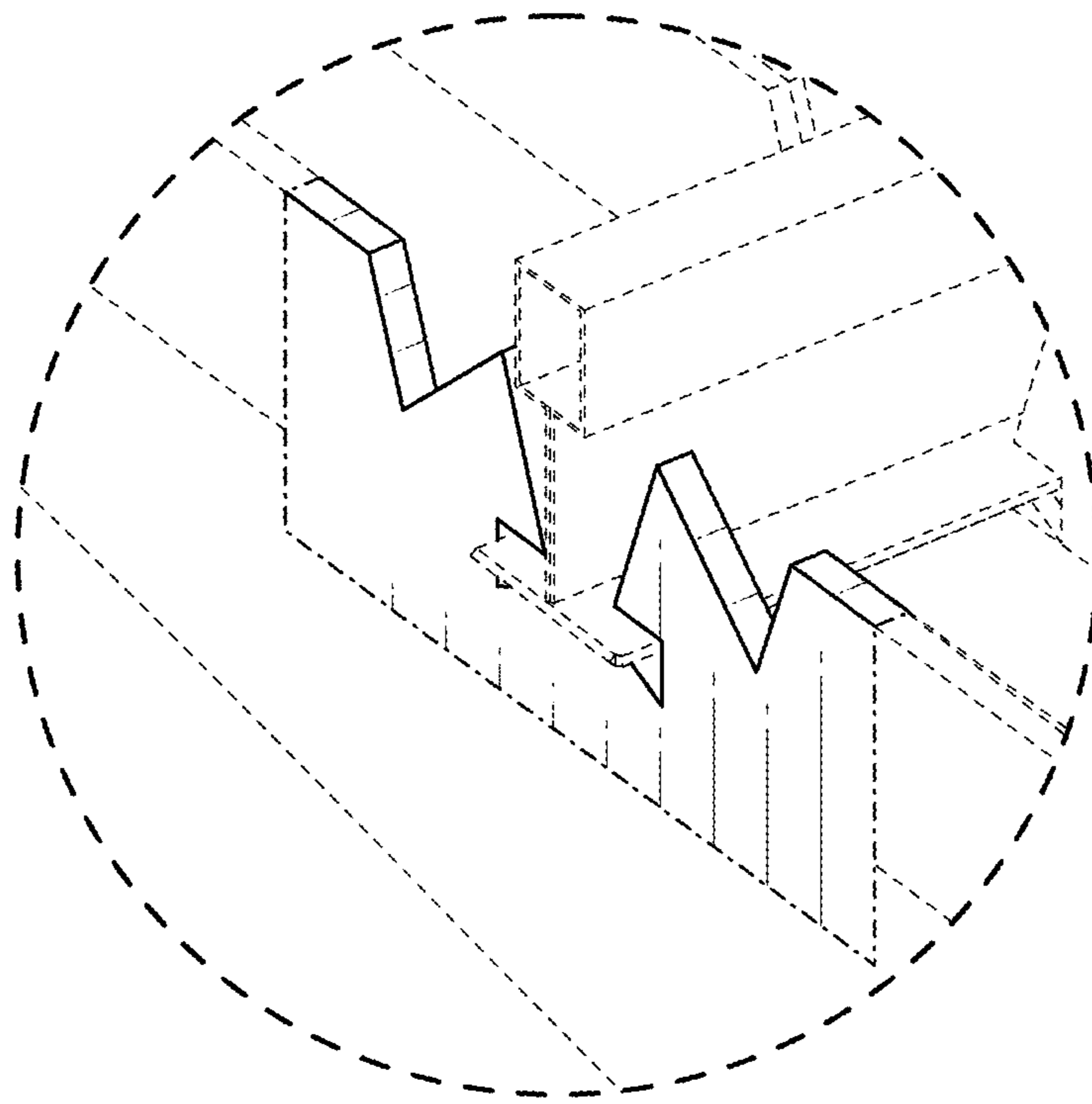


FIG. 2

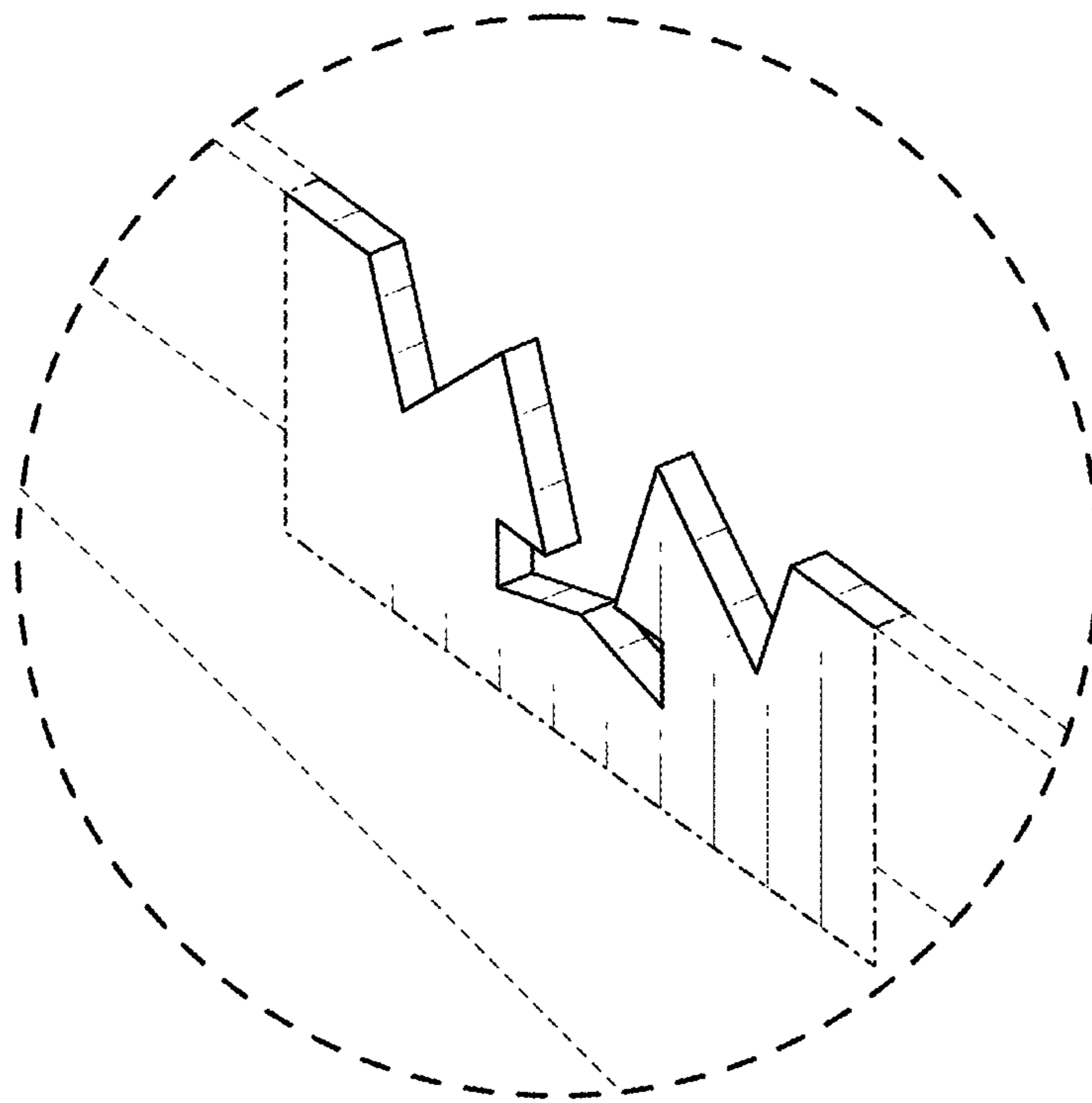


FIG. 3

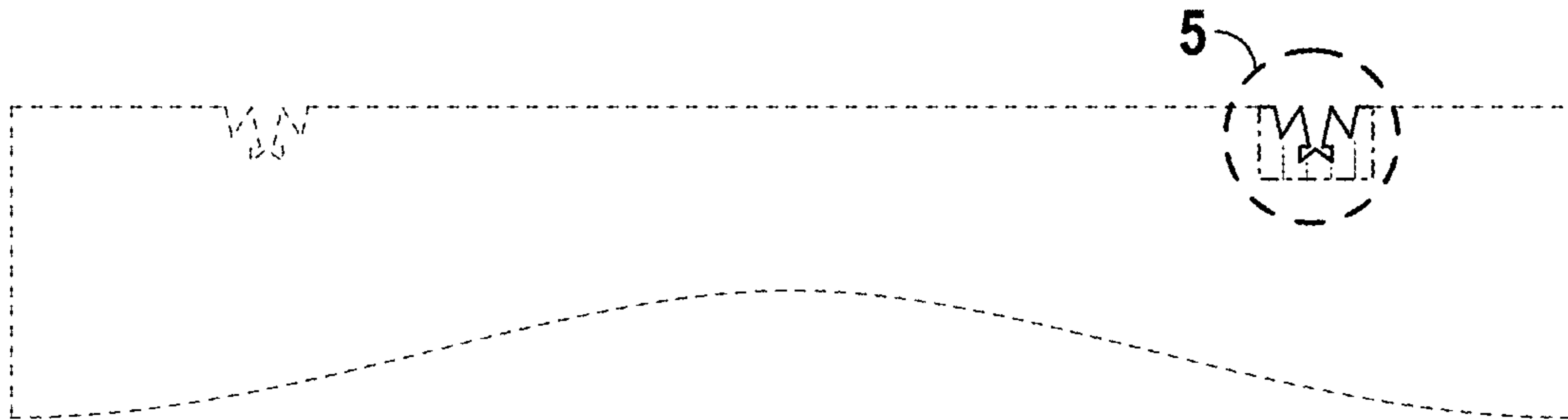


FIG. 4

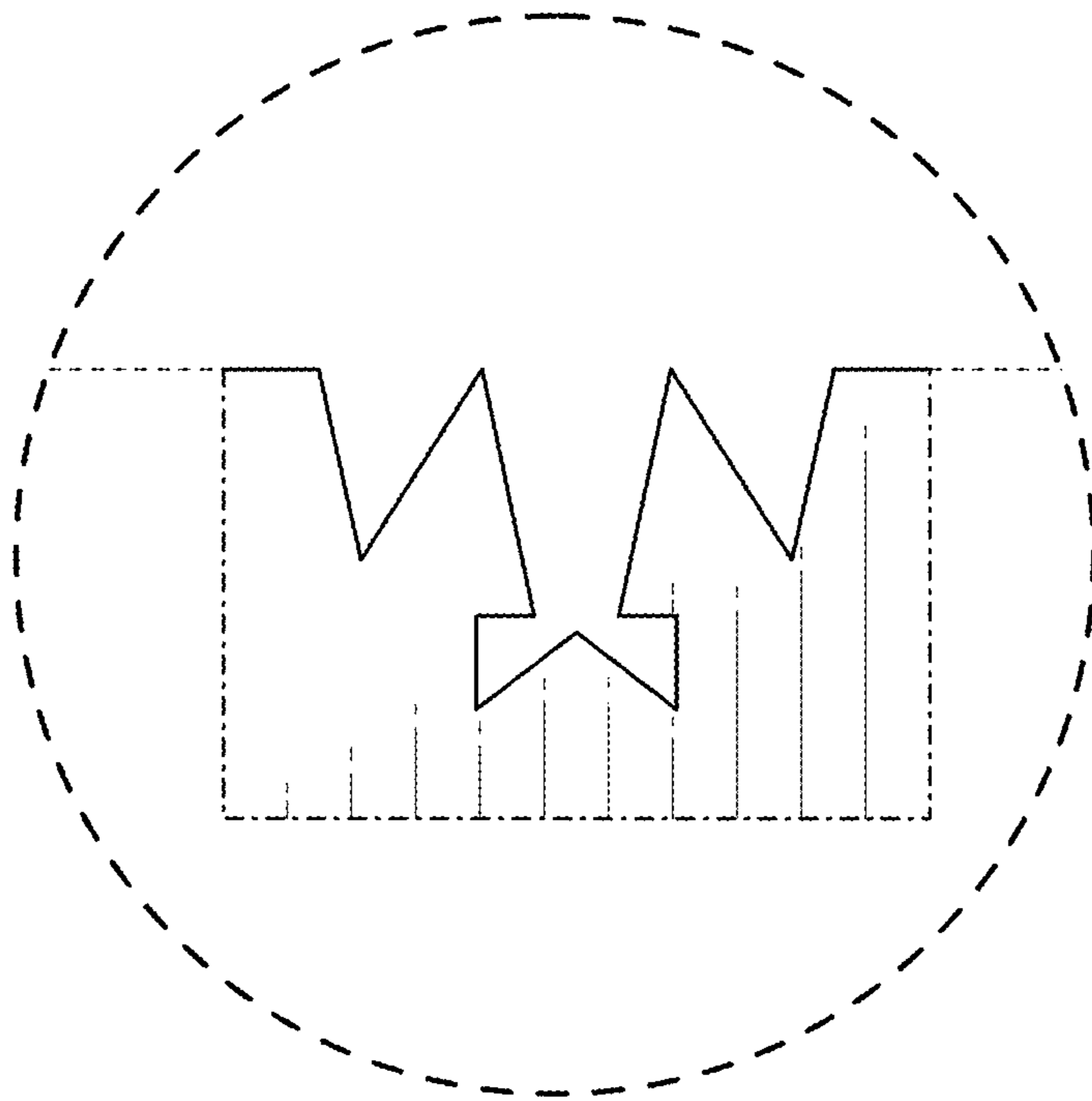


FIG. 5

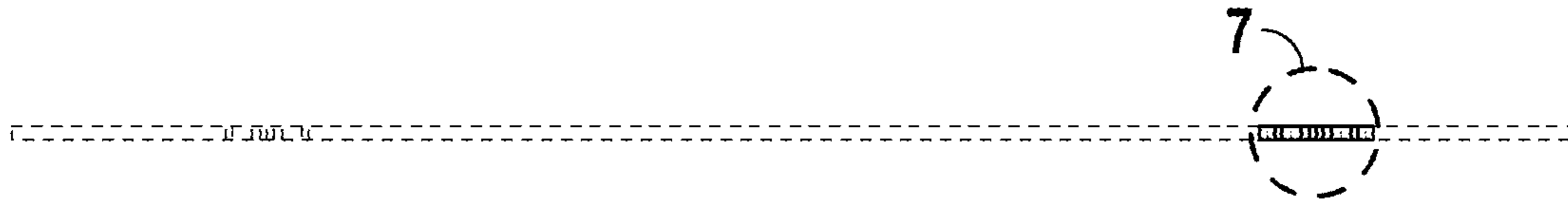


FIG. 6

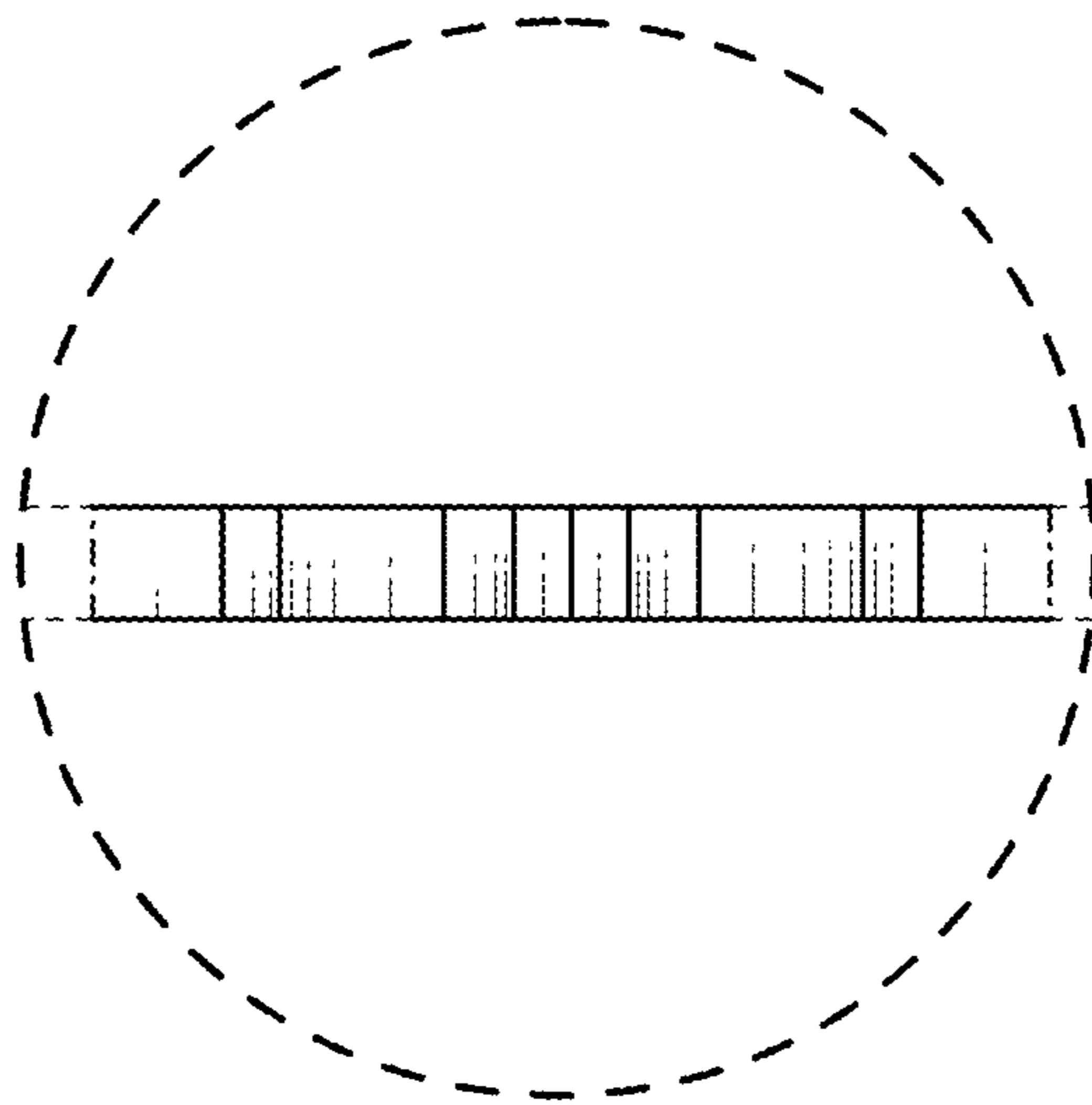


FIG. 7

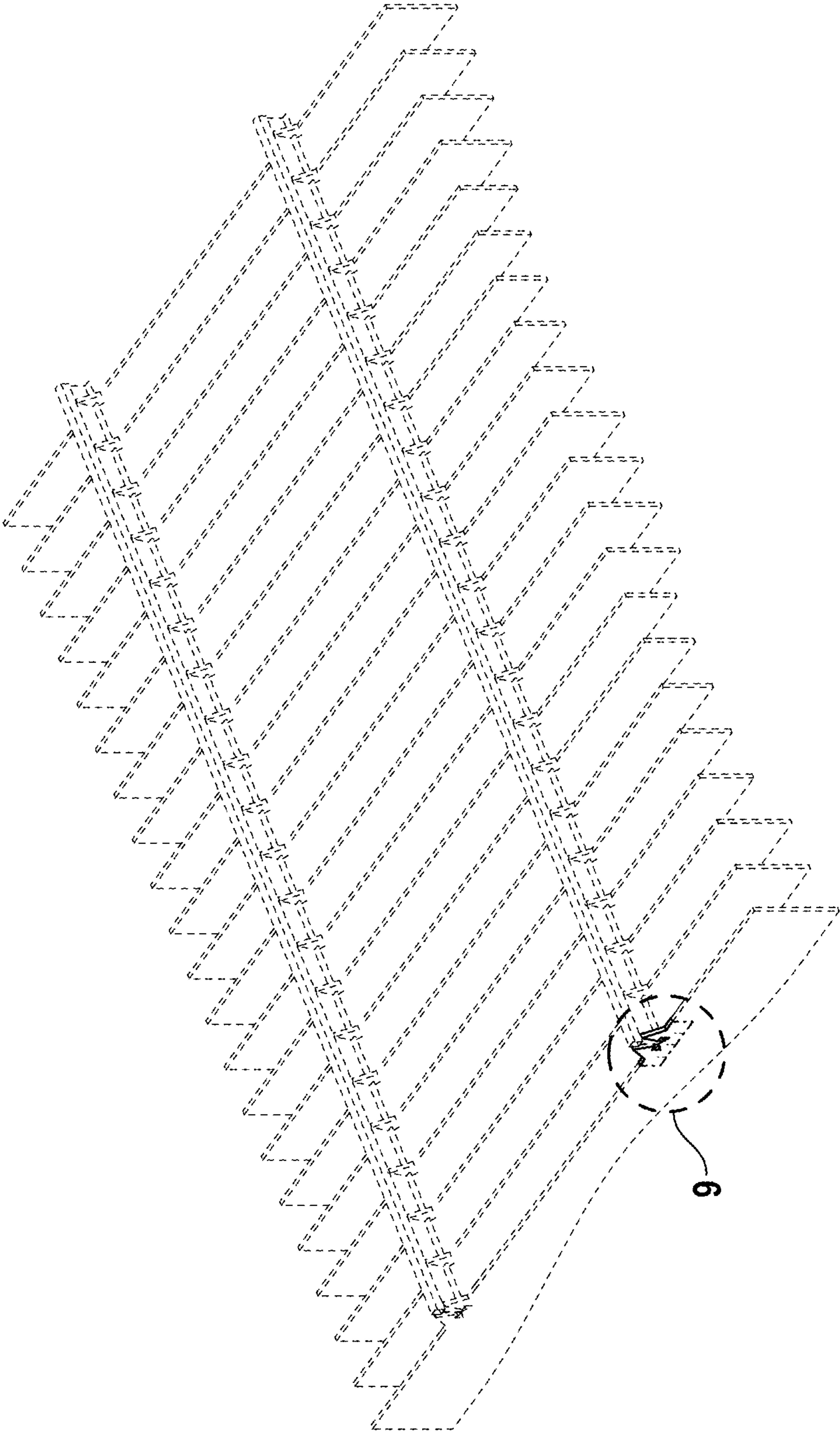


FIG. 8

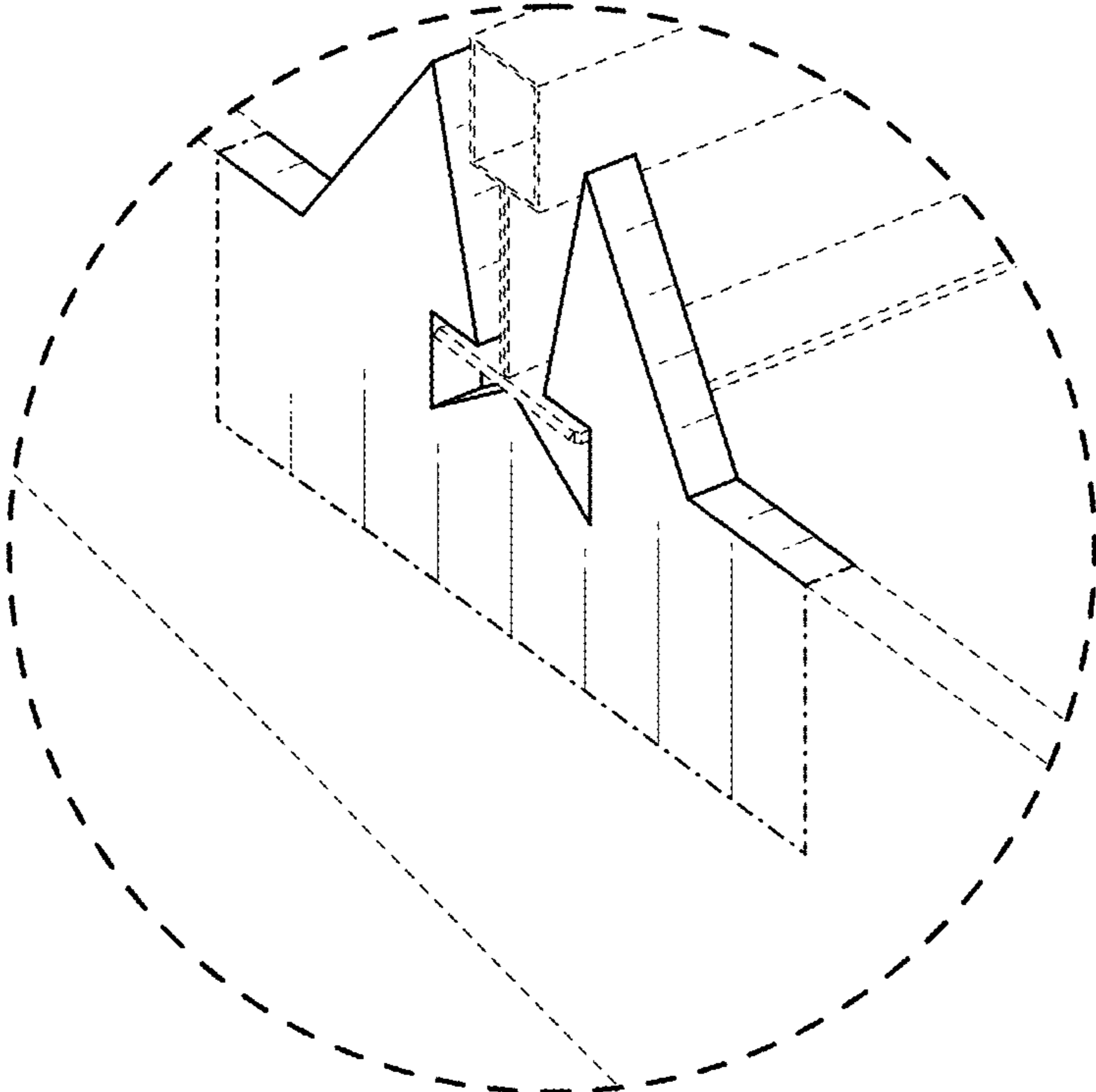


FIG. 9

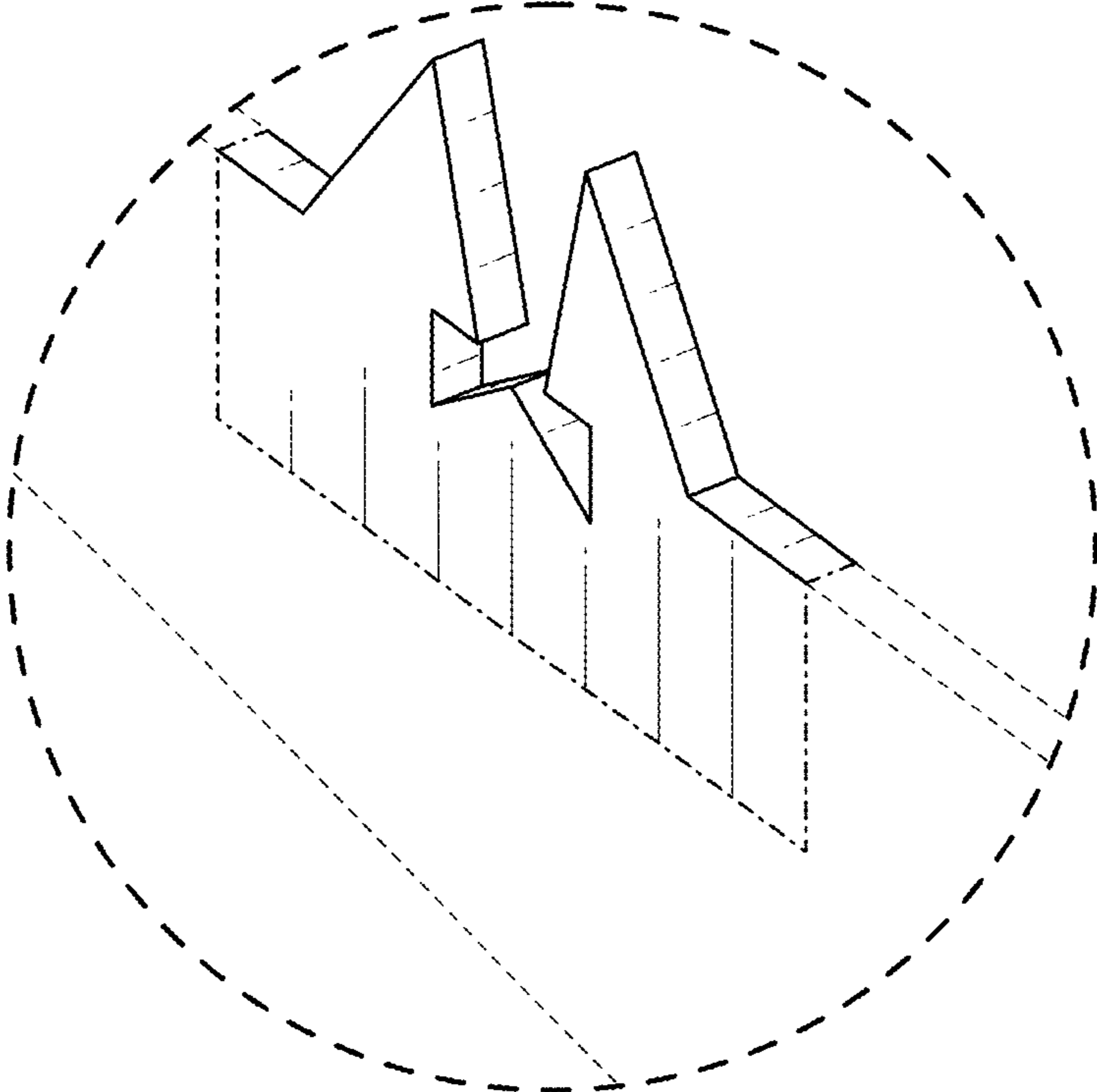


FIG. 10

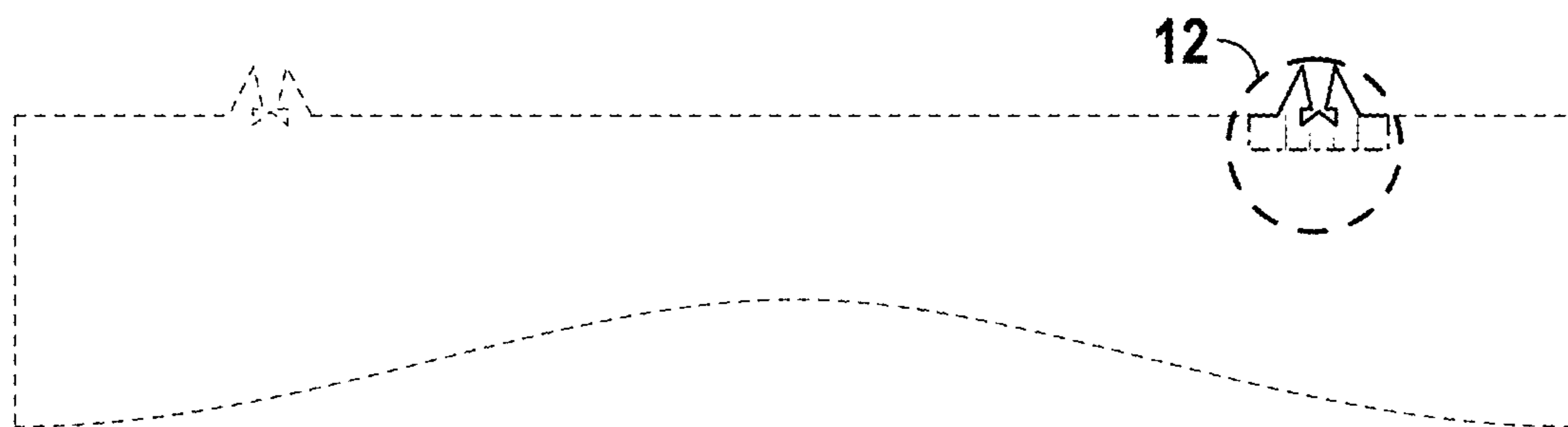


FIG. 11

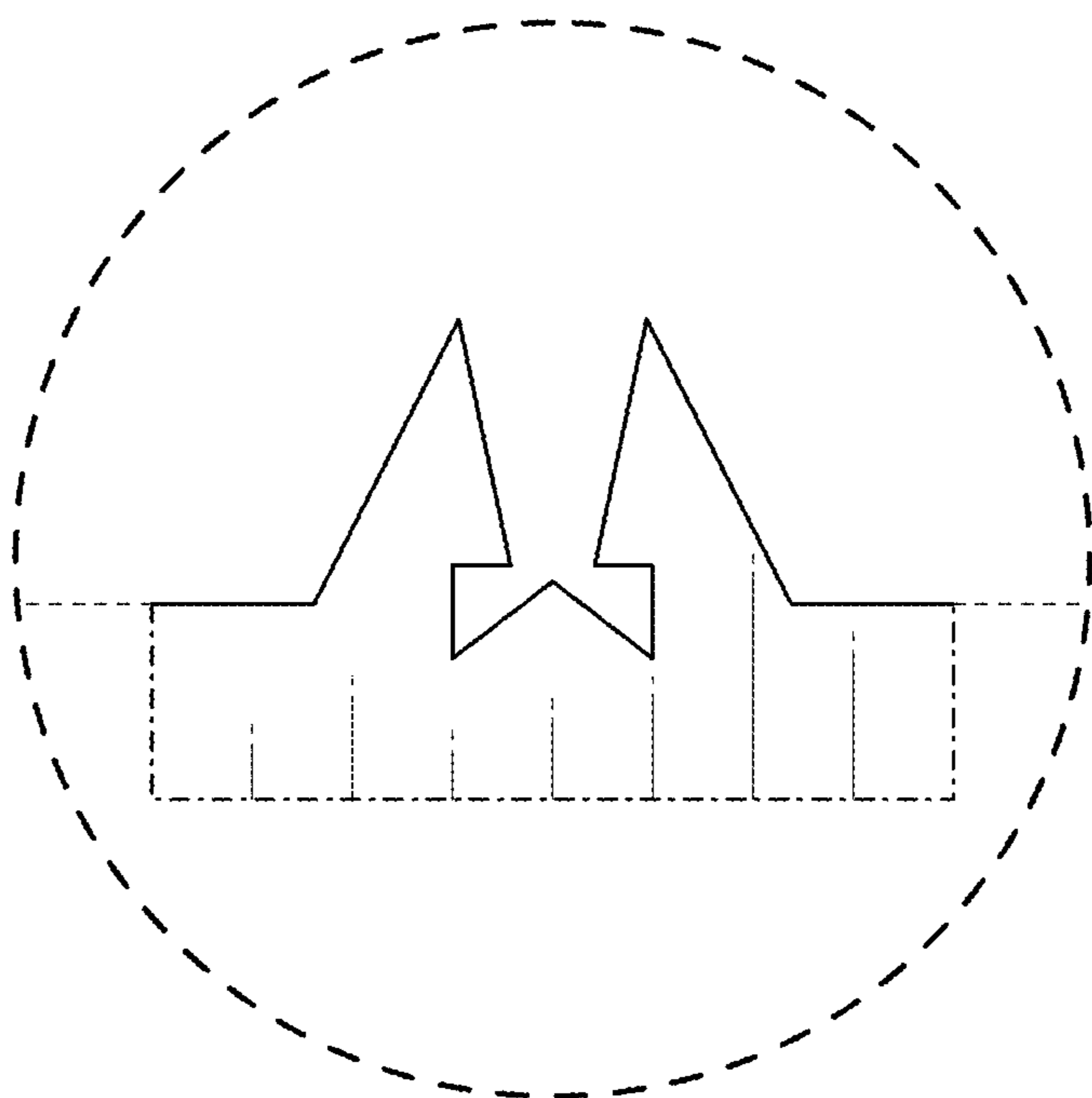


FIG. 12

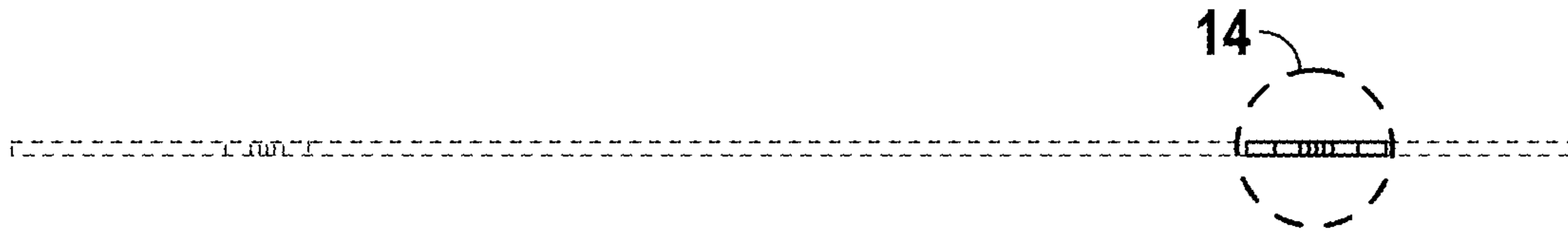


FIG. 13

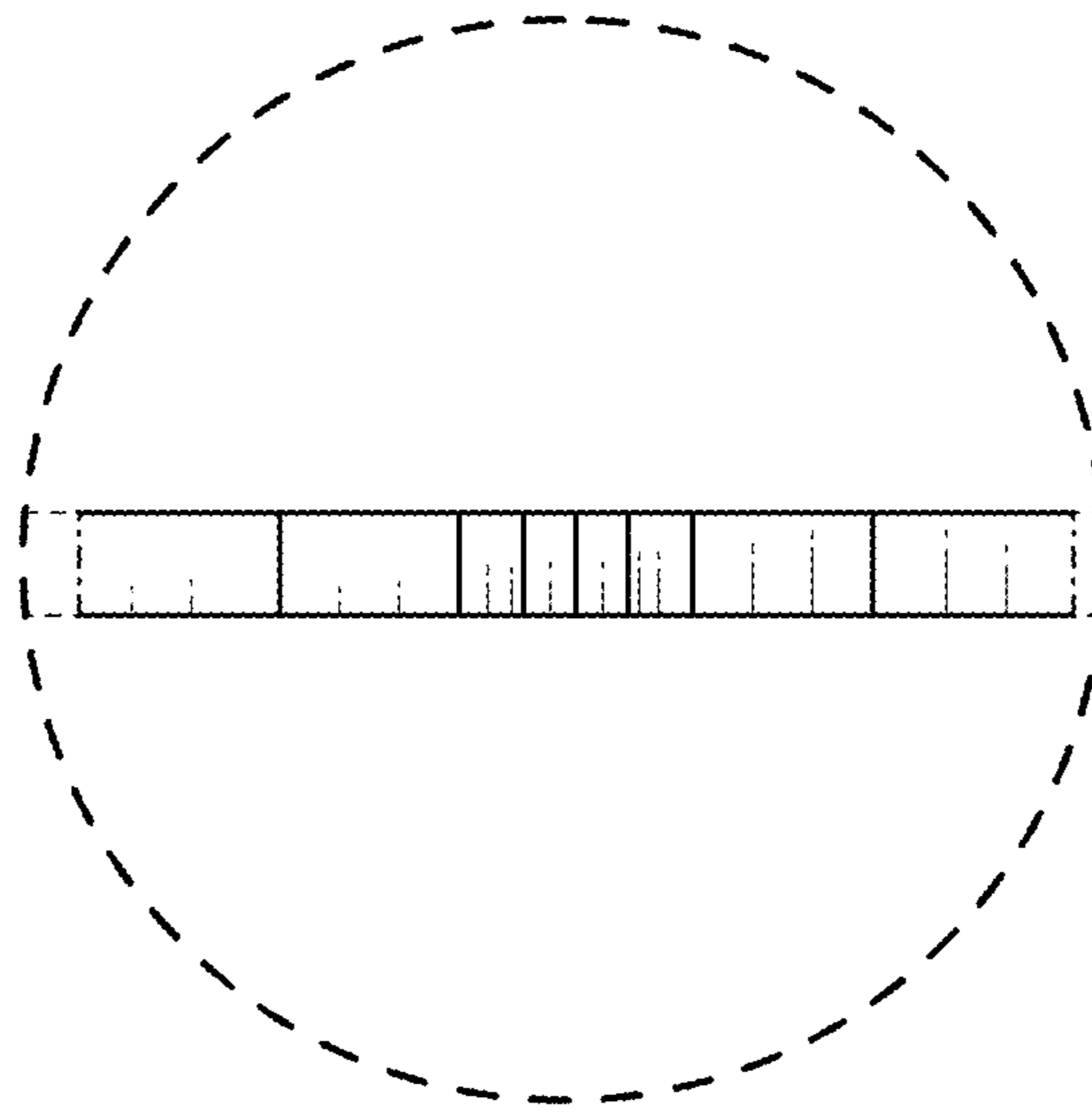


FIG. 14