



US00D956539S

(12) **United States Design Patent**
Wang

(10) **Patent No.:** **US D956,539 S**
(45) **Date of Patent:** **** Jul. 5, 2022**

- (54) **WALL MOUNTED SHELF**
- (71) Applicant: **SHENZHEN LIYIJIUJIU NETWORK TECHNOLOGY CO., LTD.**, Shenzhen (CN)
- (72) Inventor: **Xuzhong Wang**, Dongguan (CN)
- (73) Assignee: **SHENZHEN LIYIJIUJIU NETWORK TECHNOLOGY CO., LTD.**, Shenzhen (CN)
- (**) Term: **15 Years**
- (21) Appl. No.: **29/716,612**
- (22) Filed: **Dec. 11, 2019**
- (51) **LOC (13) Cl.** **08-05**
- (52) **U.S. Cl.**
USPC **D8/381; D8/380**
- (58) **Field of Classification Search**
USPC D6/555, 567, 574; D8/363, 380-381
CPC A47B 96/06; A47B 96/061; A47B 96/07
See application file for complete search history.

- (56) **References Cited**
U.S. PATENT DOCUMENTS
- 476,994 A * 6/1892 Ellis A47B 96/061
248/247
- 481,177 A * 8/1892 Ireland A47B 96/061
248/247
- D34,083 S * 2/1901 Shrader D8/363
- 1,066,463 A * 7/1913 Carl A47B 96/061
248/235
- 1,083,763 A * 1/1914 Smedberg A47B 96/061
248/248
- 1,189,988 A * 7/1916 Moody A47B 96/061
248/247
- 3,695,569 A * 10/1972 Pullan A47B 96/061
248/235
- D285,410 S * 9/1986 Webber D6/514

- 5,755,416 A * 5/1998 Leek A47B 96/061
248/247
 - D520,349 S * 5/2006 Boroviak D8/381
 - D530,596 S * 10/2006 Aldeghi D8/381
 - D559,664 S * 1/2008 Austin D8/381
 - D560,117 S * 1/2008 Austin D8/381
 - D605,931 S * 12/2009 Piersant D8/381
 - D605,932 S * 12/2009 Piersant D8/381
 - D777,564 S * 1/2017 Boehnen D8/381
 - D828,743 S * 9/2018 Bright D8/380
- (Continued)

OTHER PUBLICATIONS

“18 Shelf Brackets to Prop Up Your Books (and Beyond)”, Oct. 24, 2017, ArchitecturalDigest.com, site visited Jan. 19, 2022: <https://www.architecturaldigest.com/story/shelf-brackets-to-prop-up-your-books> (Year: 2017).*

(Continued)

Primary Examiner — Jack Reickel
Assistant Examiner — Michael A Kervin

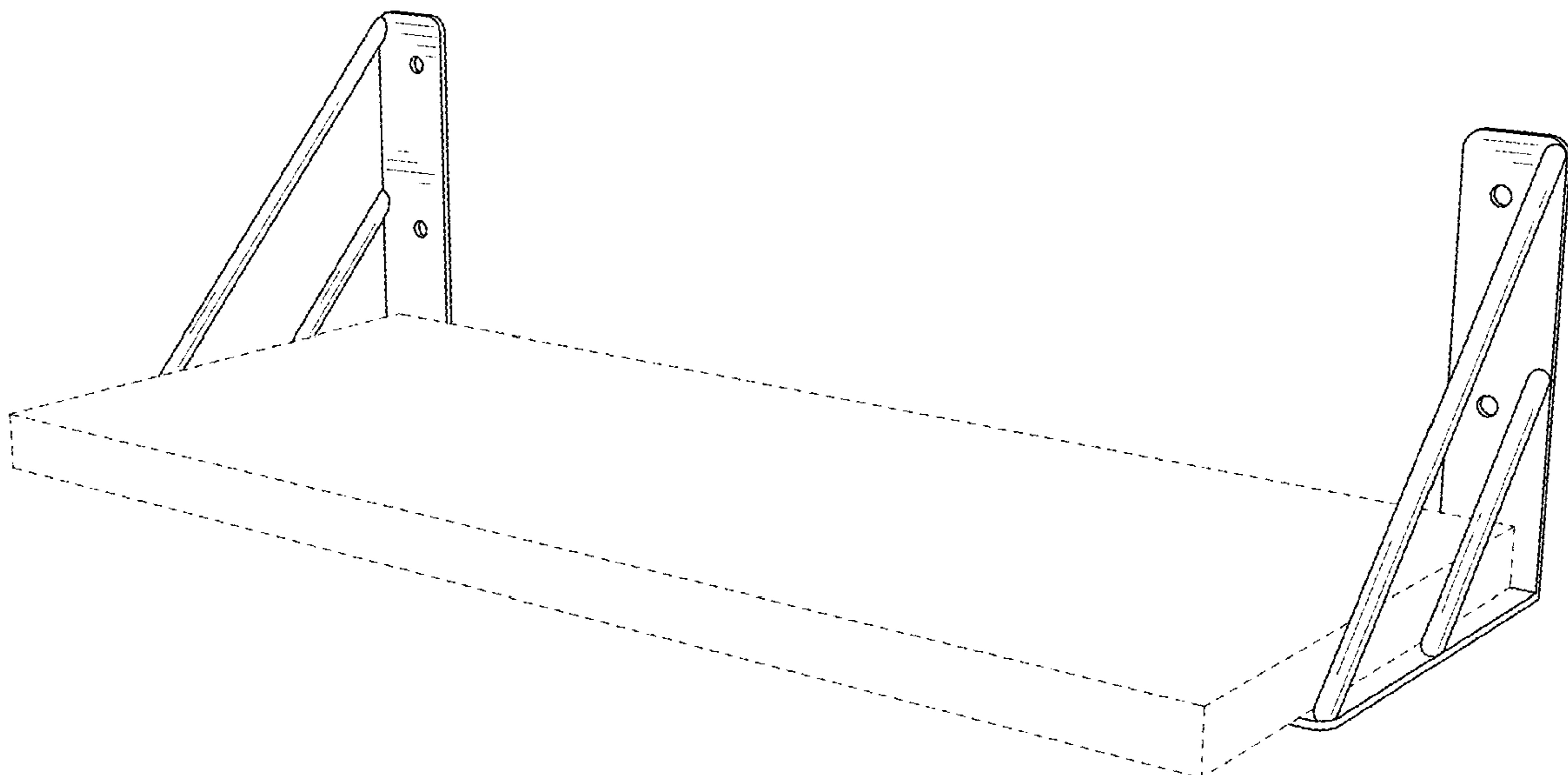
(57) **CLAIM**

The ornamental design for a wall mounted shelf, as shown and described.

DESCRIPTION

FIG. 1 is a perspective view of a wall mounted shelf showing my new design;
FIG. 2 is another perspective view thereof;
FIG. 3 is a front elevational view thereof;
FIG. 4 is a rear elevational view thereof;
FIG. 5 is a top plan view thereof;
FIG. 6 is a bottom plan view thereof;
FIG. 7 is a left side elevational view thereof; and,
FIG. 8 is a right side elevational view thereof.
The broken lines in the drawings depict portions of the wall mounted shelf that form no part of the claimed design.

1 Claim, 8 Drawing Sheets



(56)

References Cited

U.S. PATENT DOCUMENTS

D891,912 S * 8/2020 Underwood D8/380

OTHER PUBLICATIONS

“Iron 6 inch Shelf Brackets”, Jul. 6, 2018, Amazon.com, site visited Jan. 19, 2022: <https://www.amazon.com/Brackets-Curved-Floating-Industrial-Shelves/dp/B07DVVNG5C> (Year: 2018).*

“BAYKA Floating Shelves”, Oct. 22, 2018, Amazon.com, site visited Jan. 19, 2022: <https://www.amazon.com/BAYKA-Floating-Mounted-Wall-Shelves/dp/B07JLK5NQL> (Year: 2018).*

“BAYKA Wall Shelves for Bedroom Decor”, Mar. 30, 2020, Amazon.com, site visited Jan. 19, 2022: <https://www.amazon.com/BAYKA-Floating-Shelves-Mounted-Bathroom/dp/B086JR43L6> (Year: 2020).*

* cited by examiner

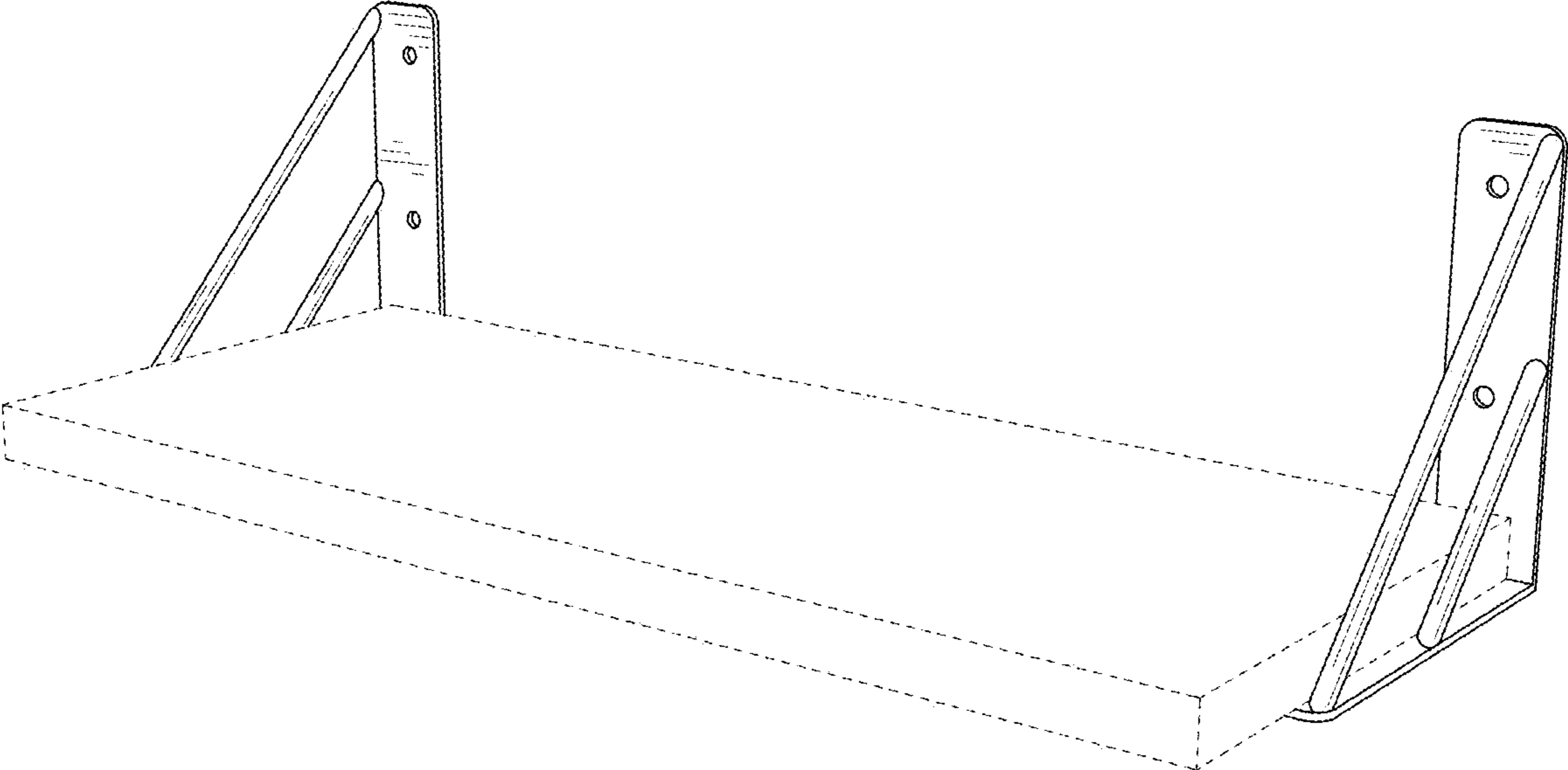


FIG. 1

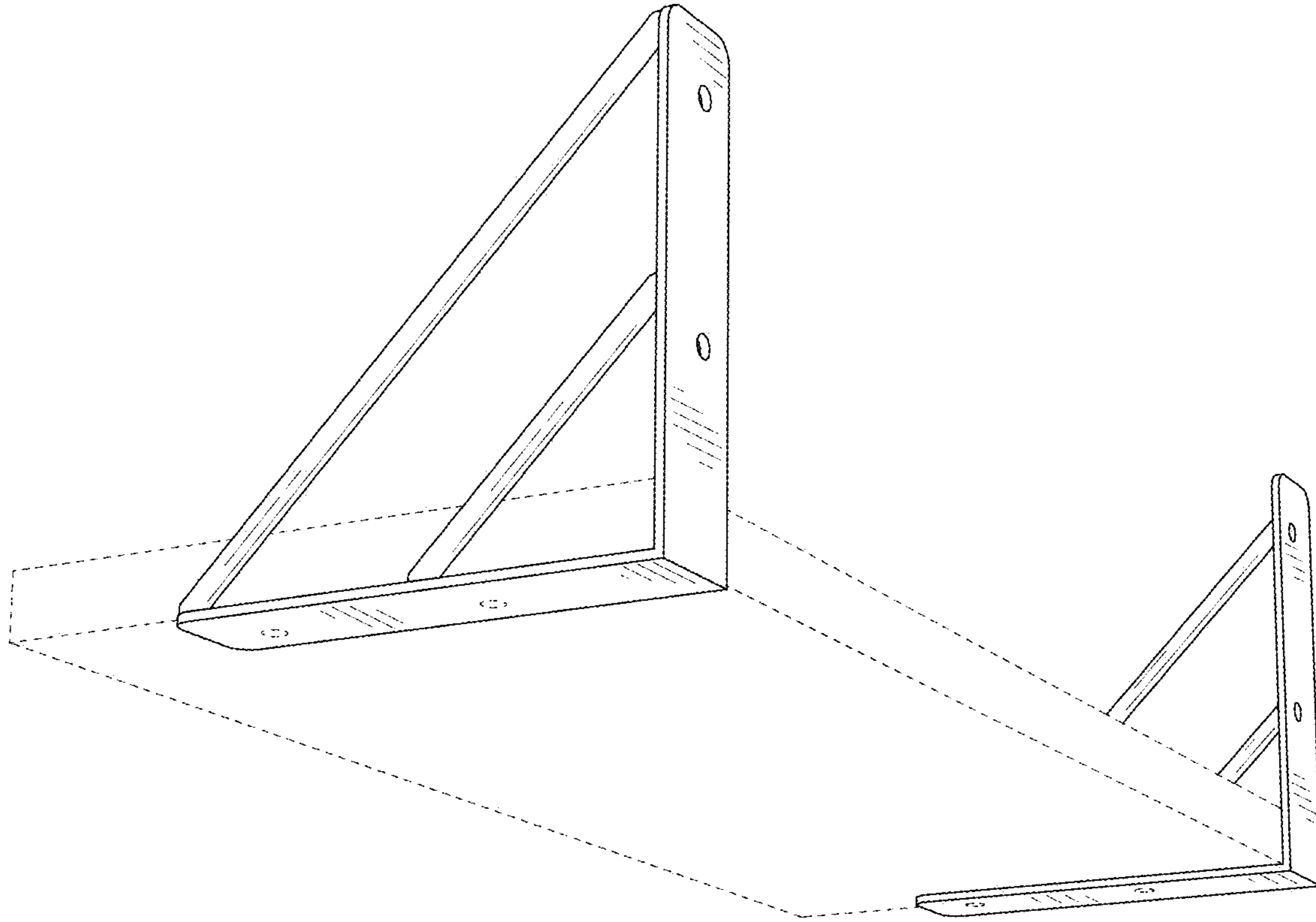


FIG. 2



FIG. 3

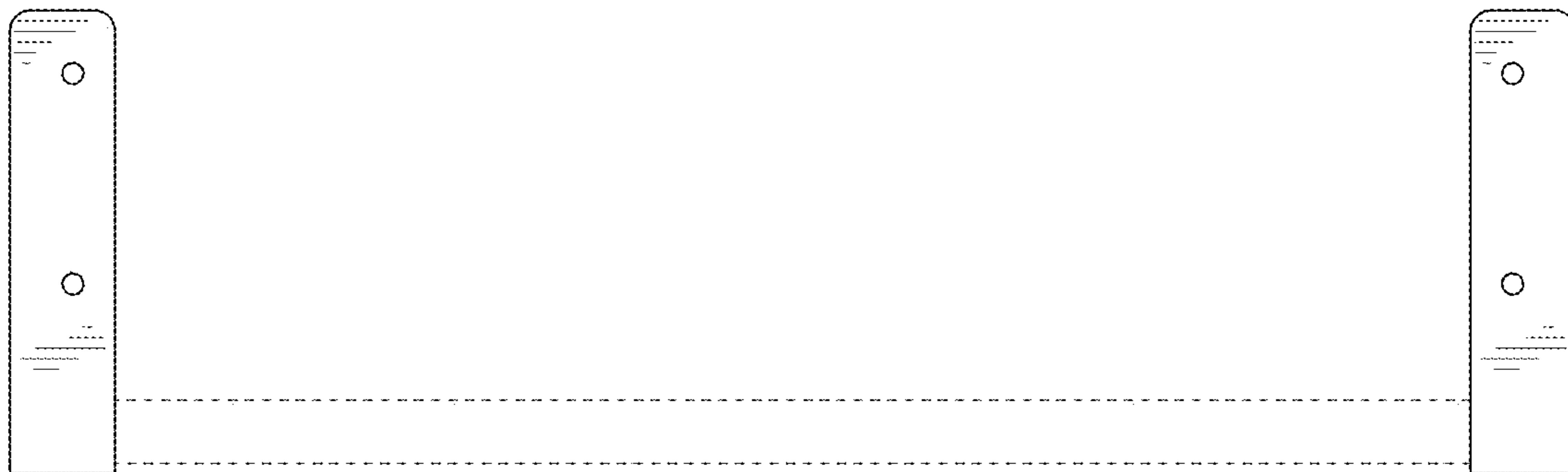


FIG. 4



FIG. 5



FIG. 6

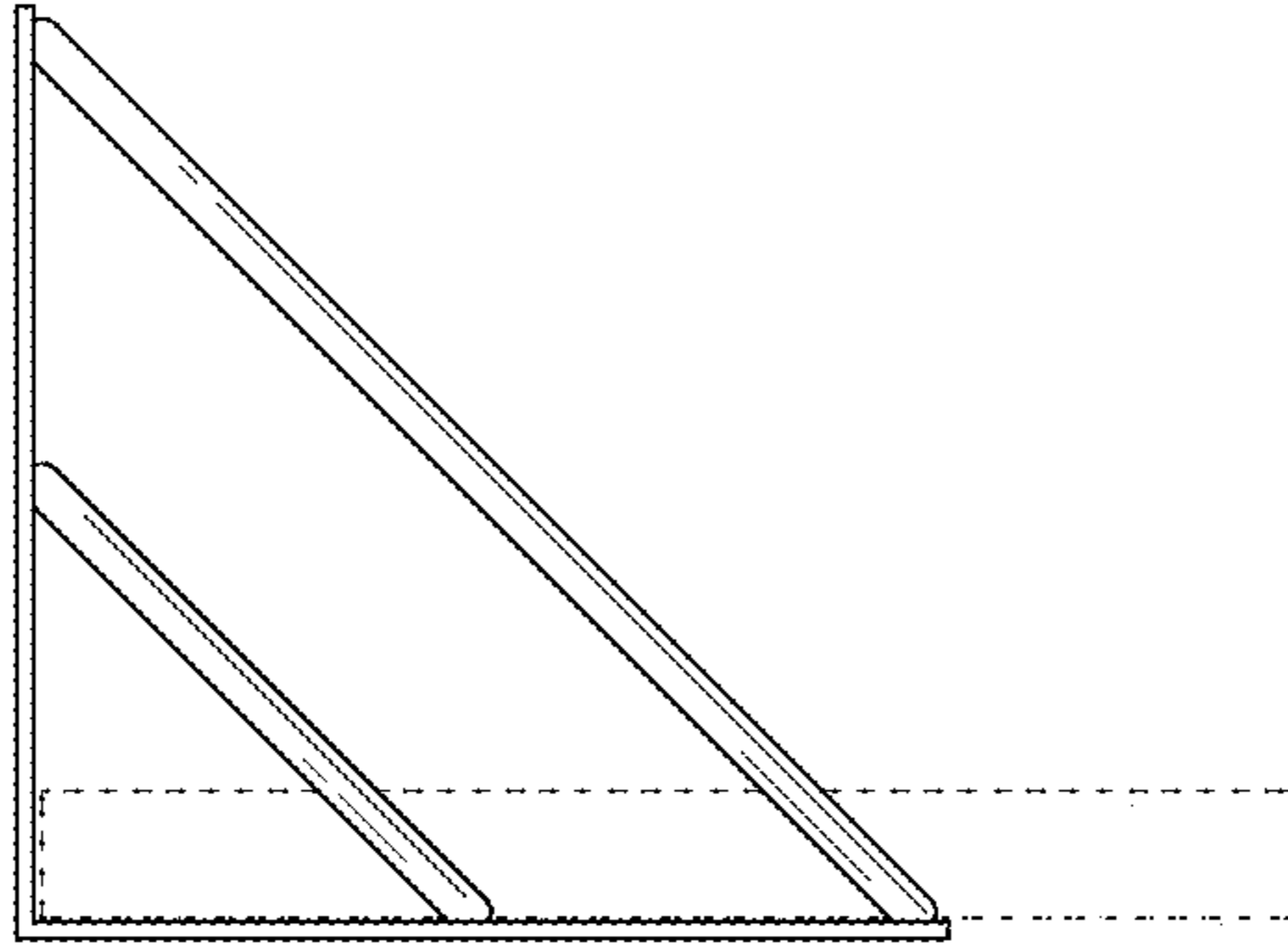


FIG. 7

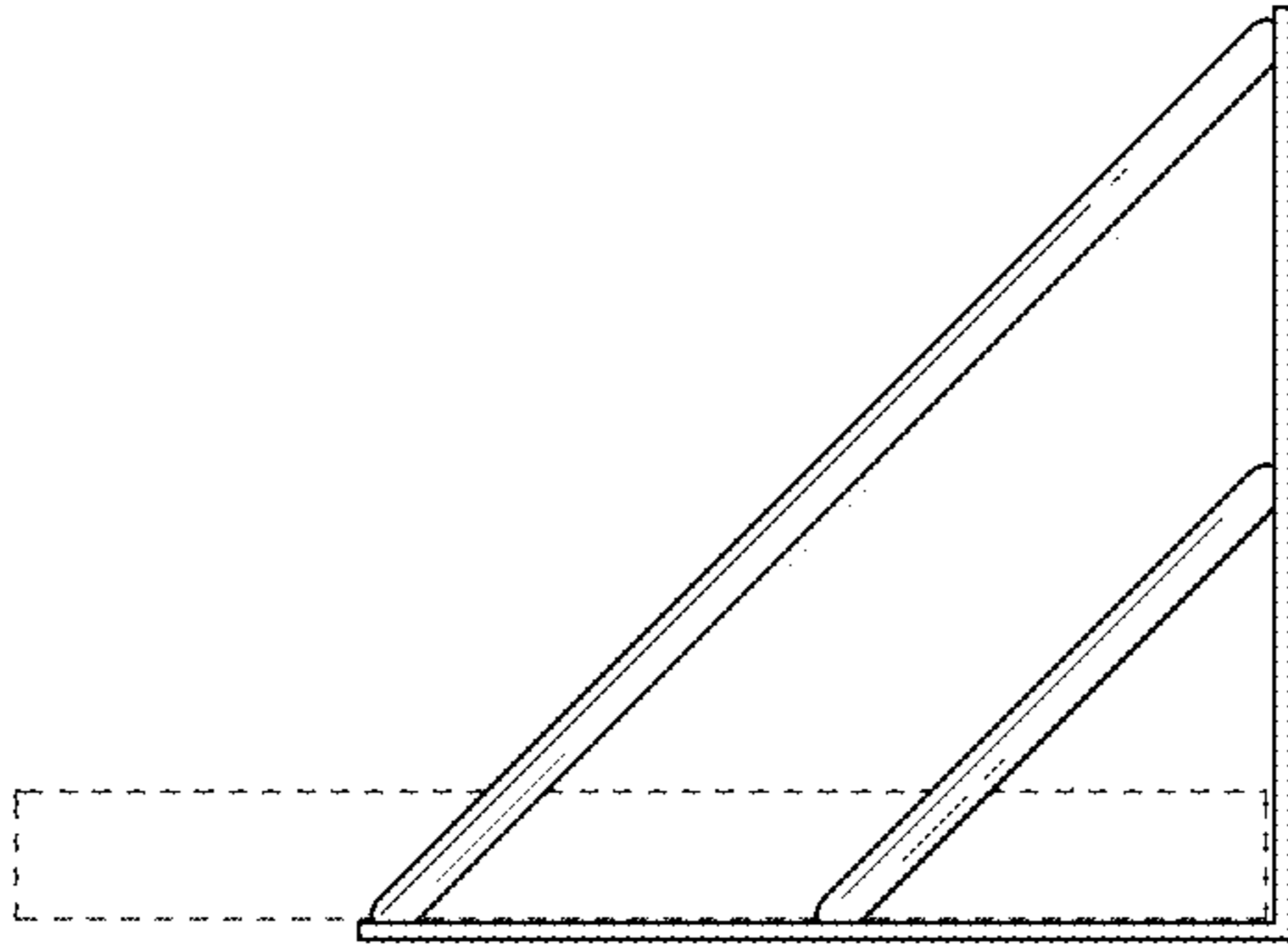


FIG. 8