



US00D956537S

(12) **United States Design Patent**
Schuknecht

(10) **Patent No.:** **US D956,537 S**
(45) **Date of Patent:** **** Jul. 5, 2022**

(54) **MOUNTING HARDWARE**

DESCRIPTION

- (71) Applicant: **ARRAY TECHNOLOGIES, INC.**,
Albuquerque, NM (US)
- (72) Inventor: **Nathan Schuknecht**, Golden, CO (US)
- (73) Assignee: **ARRAY TECHNOLOGIES, INC.**,
Albuquerque, NM (US)
- (**) Term: **15 Years**
- (21) Appl. No.: **29/734,140**
- (22) Filed: **May 8, 2020**
- (51) **LOC (13) Cl.** **08-11**
- (52) **U.S. Cl.**
USPC **D8/373**
- (58) **Field of Classification Search**
USPC D6/315, 317-328; D8/367, 368, 370
(Continued)

(56) **References Cited**

U.S. PATENT DOCUMENTS

- D604,150 S * 11/2009 Lee F24S 30/425
D12/114
- 8,459,249 B2 6/2013 Corio
(Continued)

OTHER PUBLICATIONS

Array Technologies, Inc. (Nov. 11, 2019). Array Technologies Product Overview. YouTube. Accessed (Aug. 17, 2021). URL: <<https://www.youtube.com/watch?v=nhDWaT5MjVA>> (Year: 2019).*

(Continued)

Primary Examiner — Rachel A. Voorhies
Assistant Examiner — Benjamin D. Wannemacher
(74) *Attorney, Agent, or Firm* — Maschoff Brennan

(57) **CLAIM**

The ornamental design for a mounting hardware, as shown and described.

FIG. 1 is an upper perspective view of an embodiment of a mounting hardware, illustrating the mounting hardware mounted to exemplary environment;
FIG. 2 is another upper perspective view of the mounting hardware shown in FIG. 1;
FIG. 3 is a lower perspective view of the mounting hardware shown in FIG. 2;
FIG. 4 is a front view of the mounting hardware shown in FIG. 2;
FIG. 5 is a rear view of the mounting hardware shown in FIG. 2;
FIG. 6 is a left-side view of the mounting hardware shown in FIG. 2;
FIG. 7 is a right-side view of the mounting hardware shown in FIG. 2;
FIG. 8 is a top view of the mounting hardware shown in FIG. 2;
FIG. 9 is a bottom view of the mounting hardware shown in FIG. 2;
FIG. 10 is an upper perspective view of another embodiment of a mounting hardware, illustrating the mounting hardware mounted to exemplary environment;
FIG. 11 is another upper perspective view of the mounting hardware shown in FIG. 10;
FIG. 12 is a lower perspective view of the mounting hardware shown in FIG. 11;
FIG. 13 is a front view of the mounting hardware shown in FIG. 11;
FIG. 14 is a rear view of the mounting hardware shown in FIG. 11;
FIG. 15 is a left-side view of the mounting hardware shown in FIG. 11;
FIG. 16 is a right-side view of the mounting hardware shown in FIG. 11;
FIG. 17 is a top view of the mounting hardware shown in FIG. 11;
FIG. 18 is a bottom view of the mounting hardware shown in FIG. 11;
FIG. 19 is an upper perspective view of another embodiment of a mounting hardware, illustrating the mounting hardware mounted to exemplary environment;

(Continued)

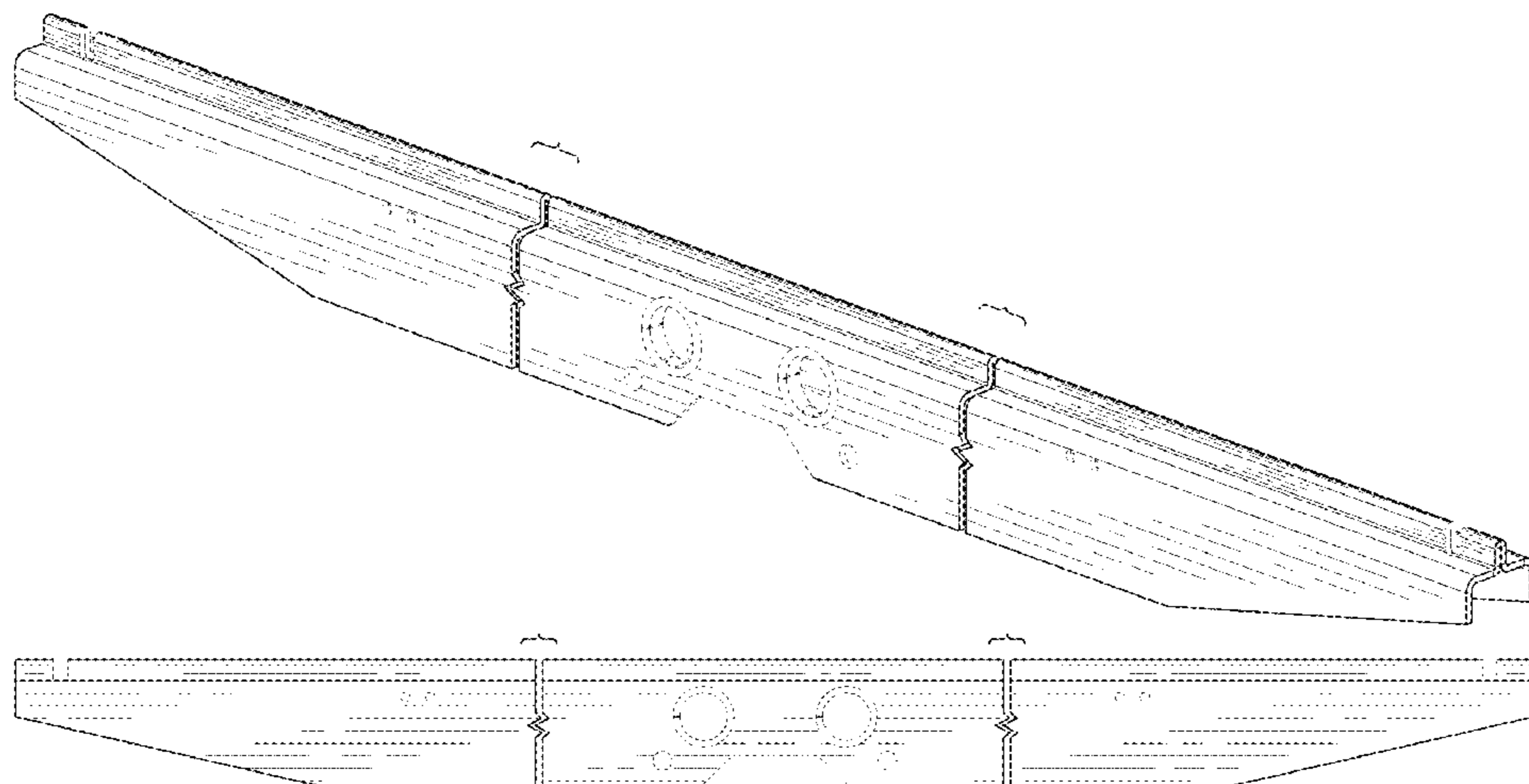


FIG. 20 is another upper perspective view of the mounting hardware shown in FIG. 19;
 FIG. 21 is a lower perspective view of the mounting hardware shown in FIG. 20;
 FIG. 22 is a front view of the mounting hardware shown in FIG. 20;
 FIG. 23 is a rear view of the mounting hardware shown in FIG. 20;
 FIG. 24 is a left-side view of the mounting hardware shown in FIG. 20;
 FIG. 25 is a right-side view of the mounting hardware shown in FIG. 20;
 FIG. 26 is a top view of the mounting hardware shown in FIG. 20; and,
 FIG. 27 is a bottom view of the mounting hardware shown in FIG. 20.

The broken lines are for the purpose of illustrating portions of the mounting hardware that form no part of the claimed design. The broken line showing of the attachment structures in FIGS. 1, 10, and 19 illustrates the environment of the claimed design and forms no part thereof.

The drawings contain symbolic breaks each defined by a pair of break lines. Portions of the mounting hardware between the break lines in each pair form no part of the claimed design.

1 Claim, 18 Drawing Sheets

(58) **Field of Classification Search**

CPC ... A47F 7/19; A47F 13/085; A47G 2025/448;

A47G 25/005; A47G 25/14; A47G 25/1442; A47G 25/16; A47G 25/25; A47G 25/26; A47G 25/32; A47G 25/40

See application file for complete search history.

(56)

References Cited

U.S. PATENT DOCUMENTS

9,276,521	B2	3/2016	Reed et al.	
9,281,778	B2	3/2016	Corio et al.	
9,581,678	B2	2/2017	Corio	
9,631,840	B2	4/2017	Corio	
D801,895	S *	11/2017	Bowyer	D12/180
10,042,030	B2	8/2018	Corio	
10,069,455	B2	9/2018	Corio et al.	
D833,349	S *	11/2018	Bowyer	D12/180
D839,003	S *	1/2019	Boles	D6/319
10,536,109	B2	1/2020	Corio	
10,771,007	B2	9/2020	Corio	
10,809,345	B2	10/2020	Corio	
D906,698	S *	1/2021	Gargan	D6/319
2010/0089389	A1	4/2010	Seery et al.	
2015/0092383	A1 *	4/2015	Corio	F24S 30/425 361/807
2015/0200621	A1	7/2015	Reed et al.	
2018/0317685	A1 *	11/2018	Boles	A47G 25/28

OTHER PUBLICATIONS

Array Technologies, Inc. (Nov. 11, 2019). Array Wind Mitigation. YouTube. Accessed (Aug. 17, 2021). URL: <<https://www.youtube.com/watch?v=5JbhRFdBsjs>> (Year: 2019).*

* cited by examiner

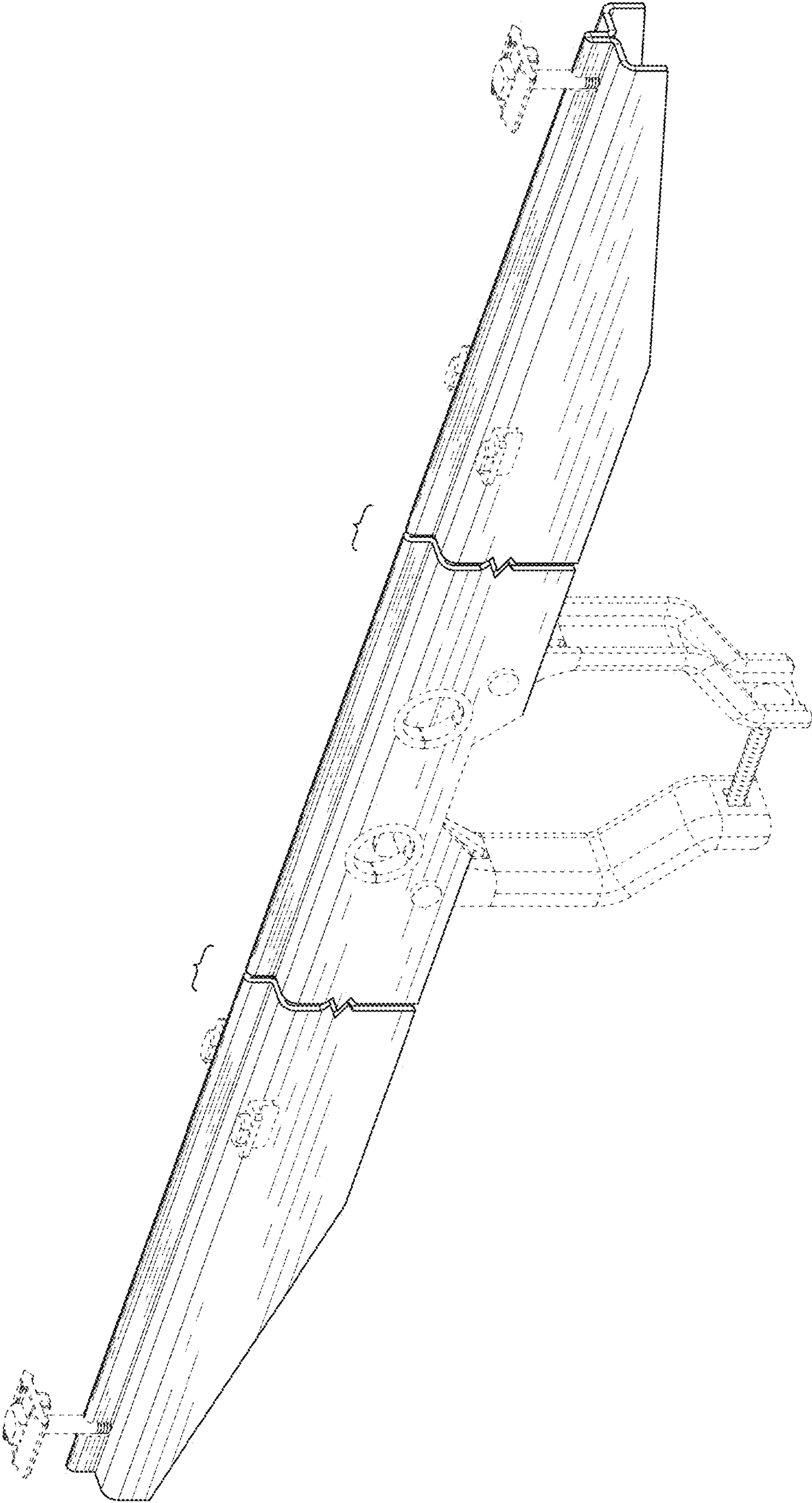


FIG. 1

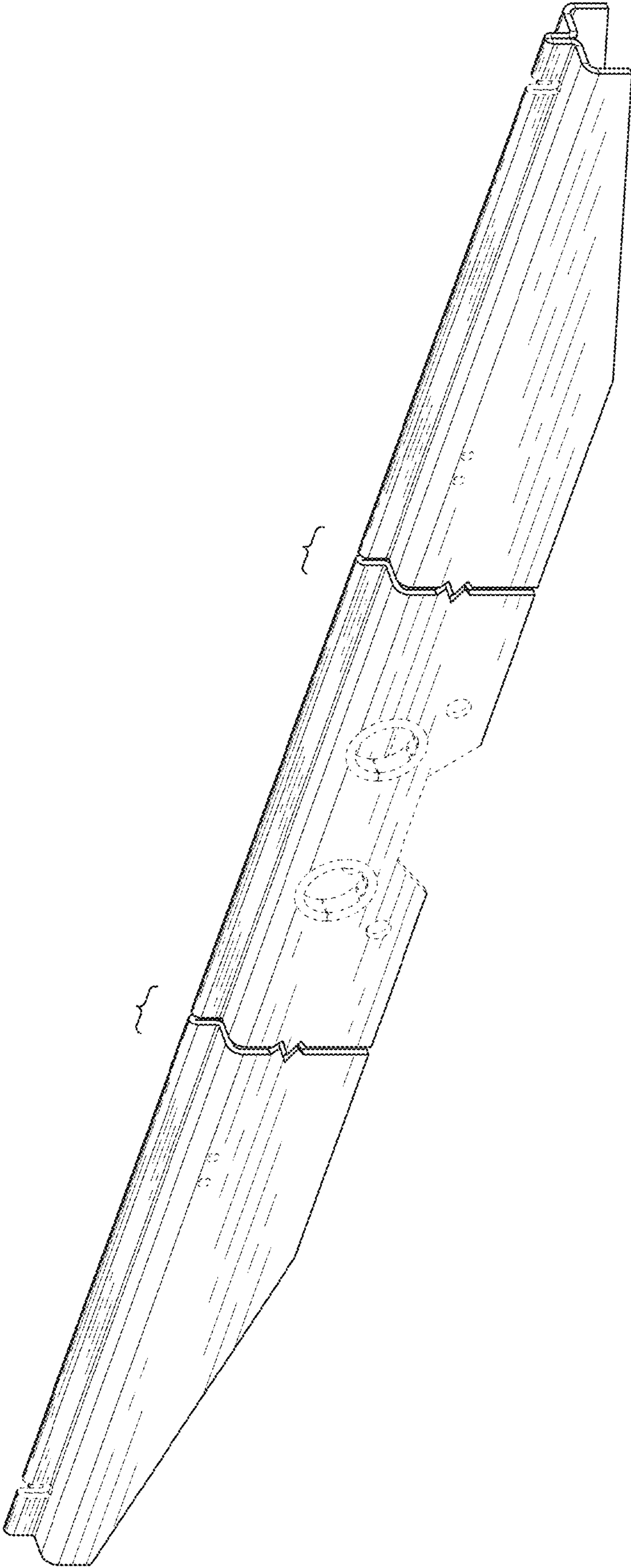


FIG. 2

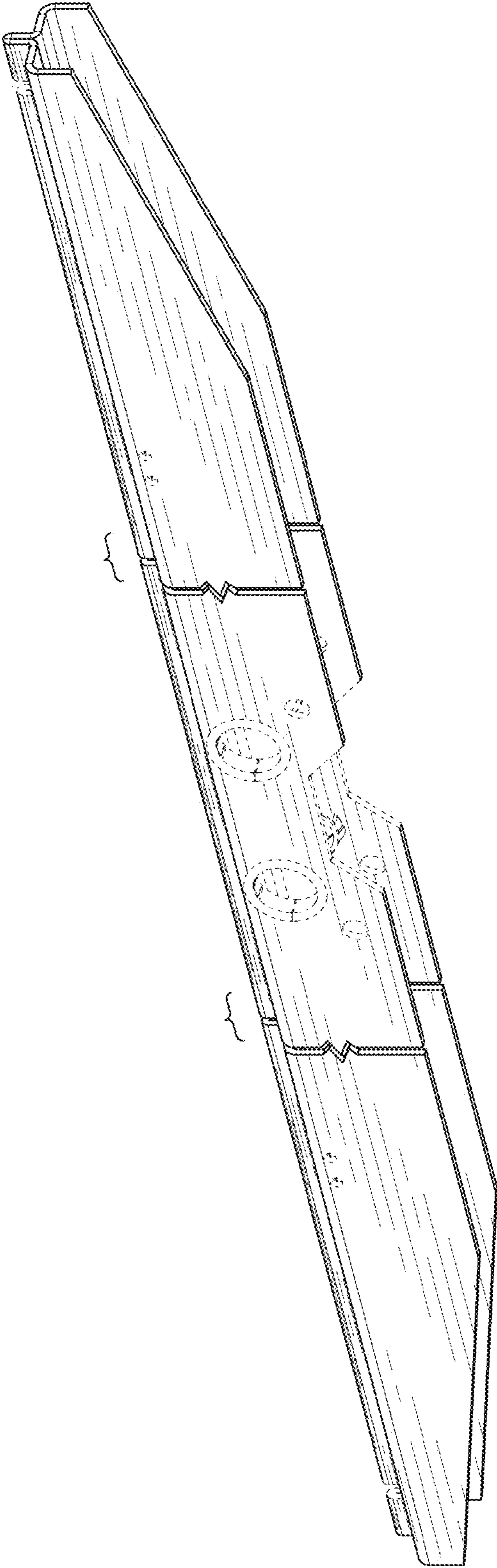


FIG. 3

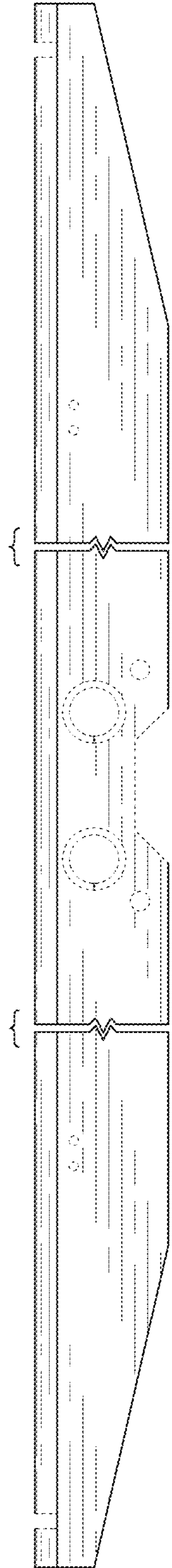


FIG. 4

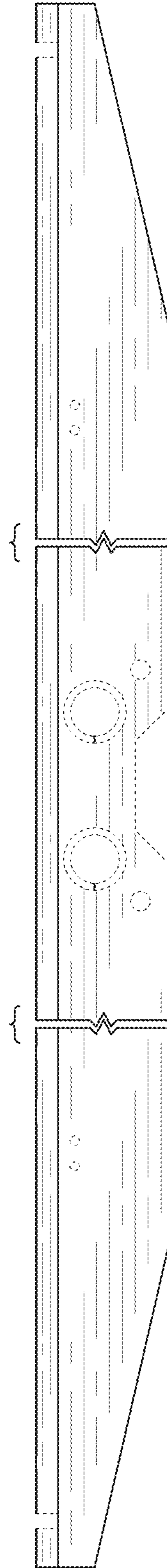


FIG. 5

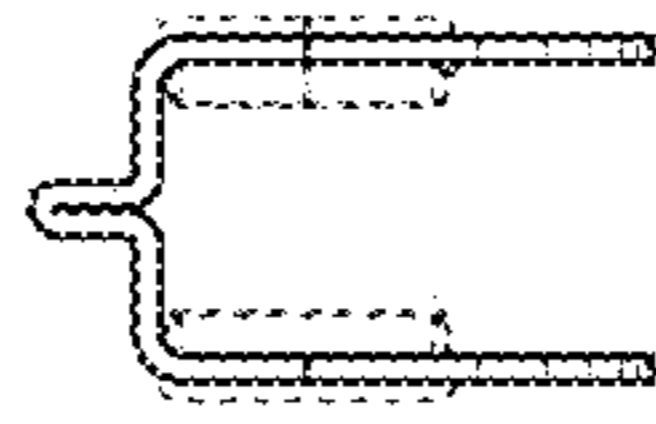


FIG. 7

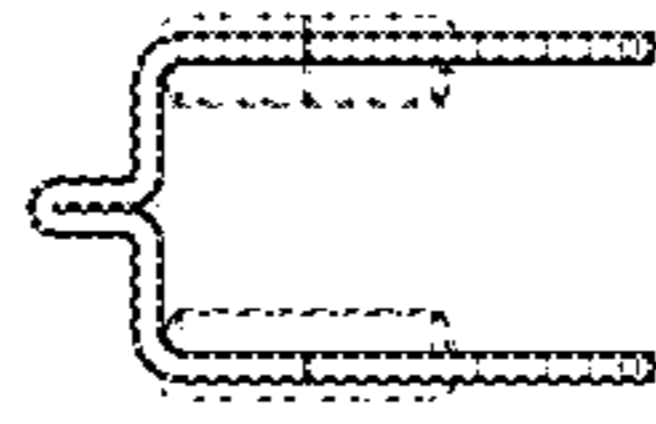


FIG. 6

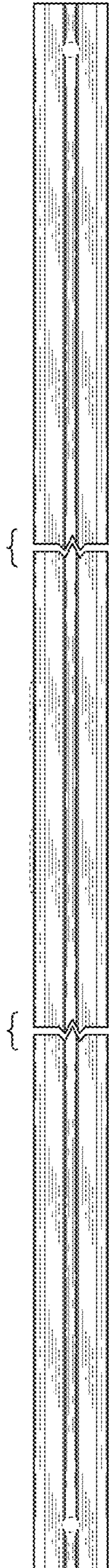


FIG. 8

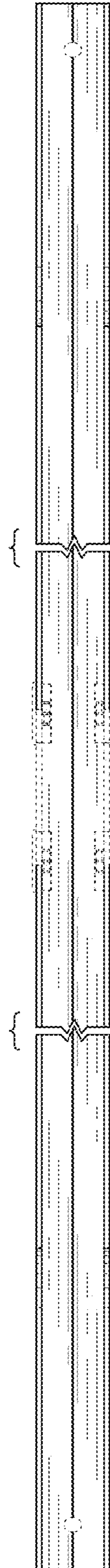


FIG. 9

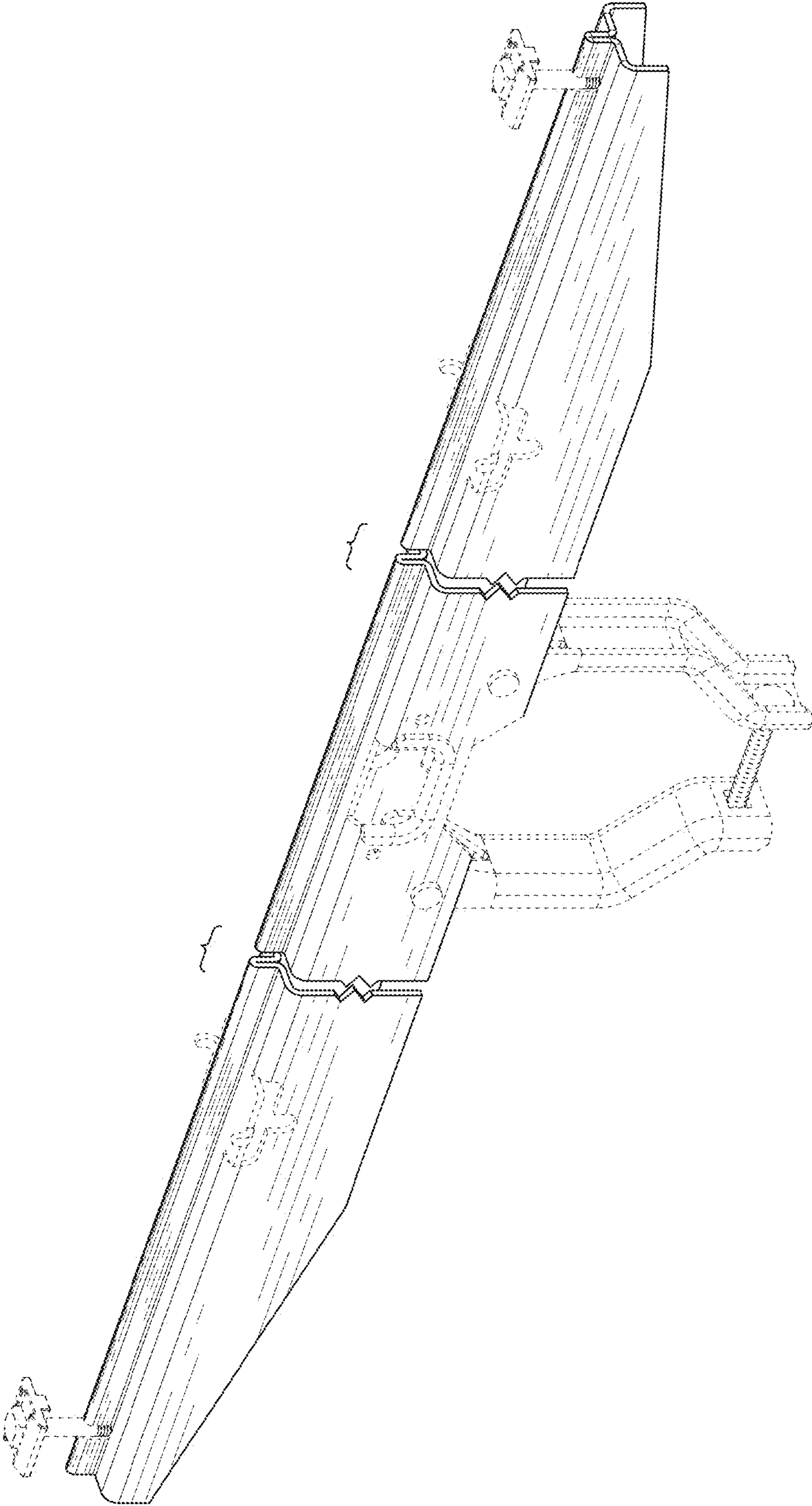


FIG. 10

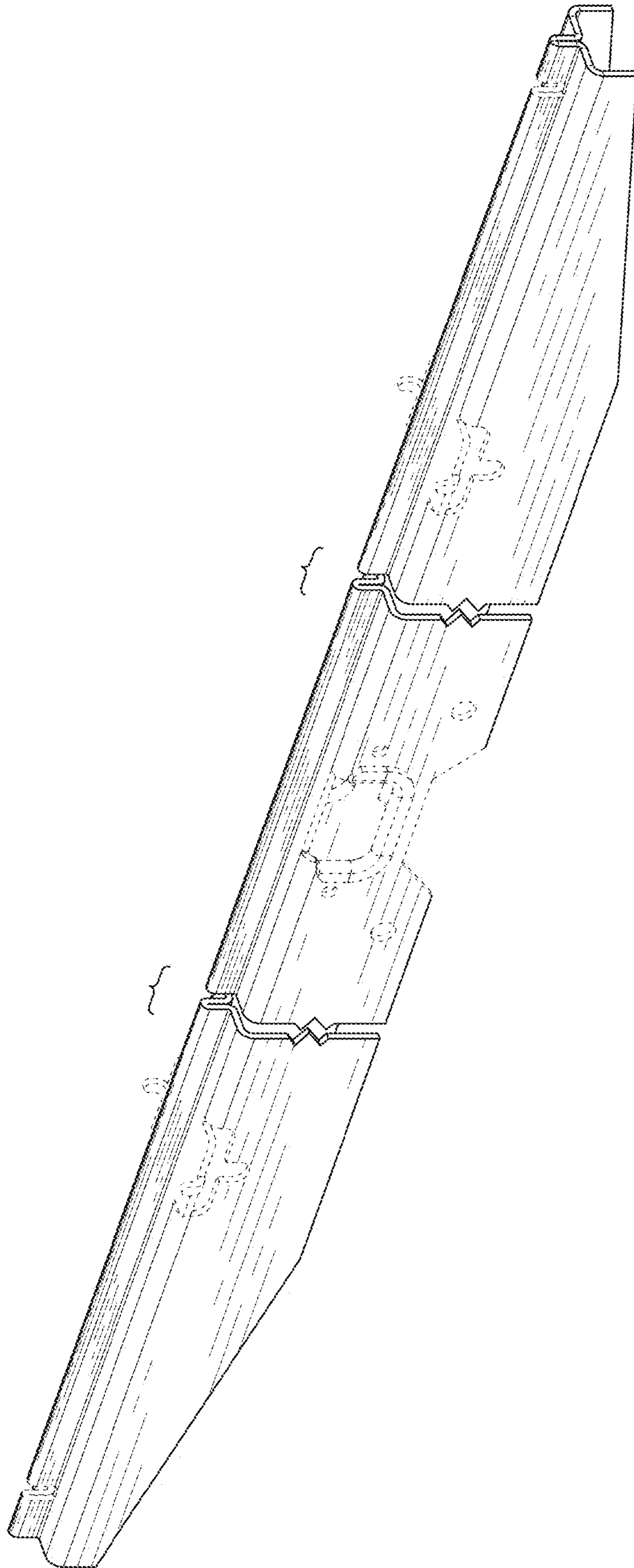


FIG. 11

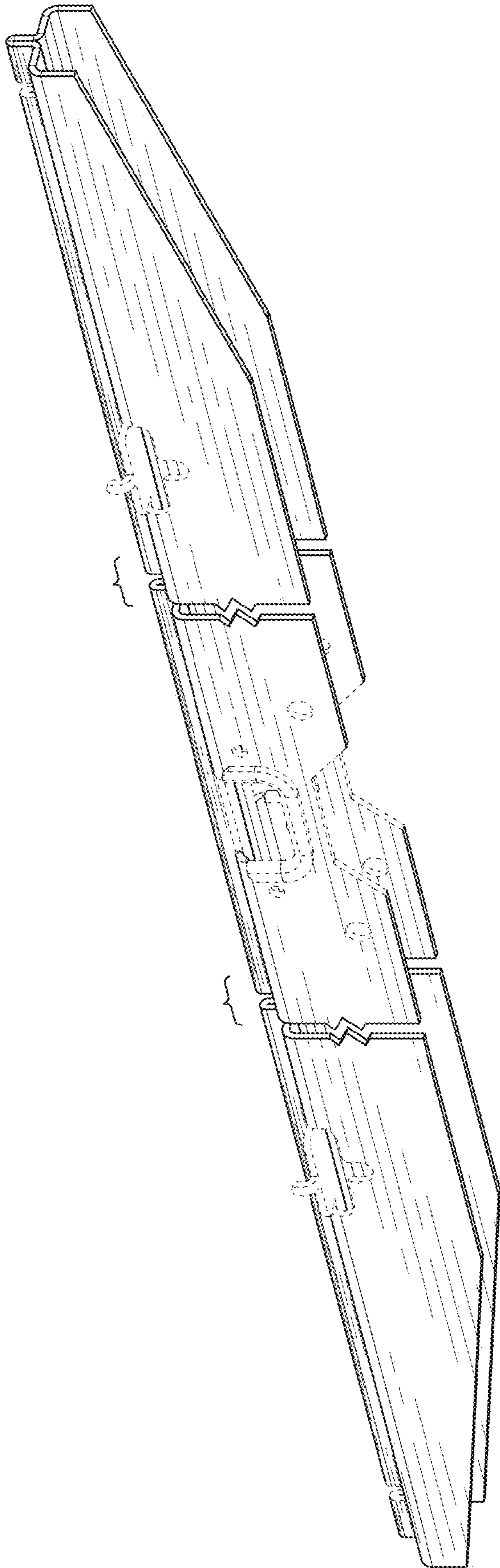


FIG. 12

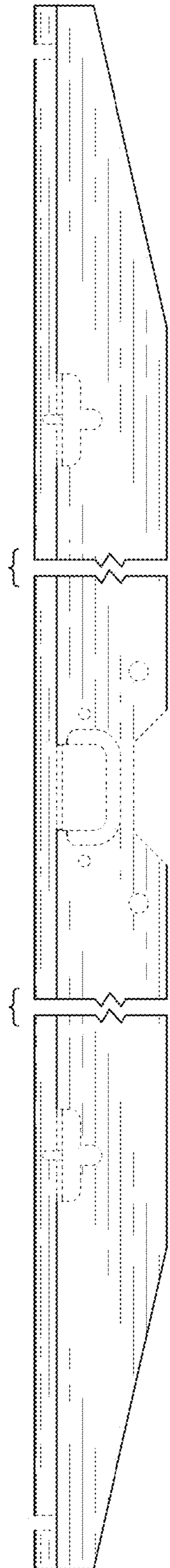


FIG. 13

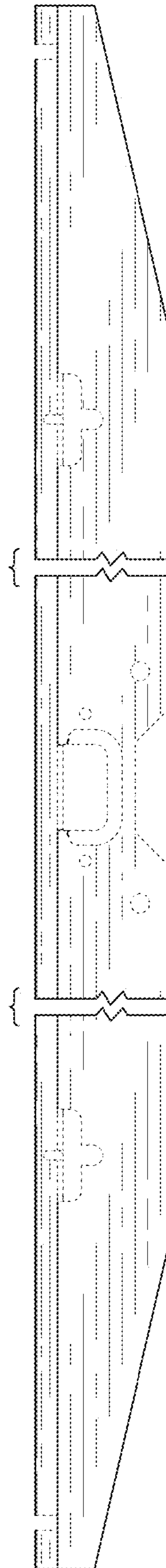


FIG. 14

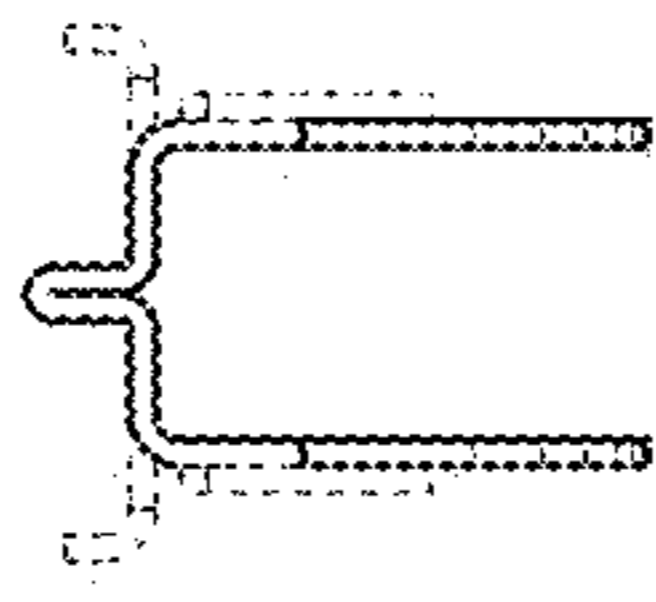


FIG. 16

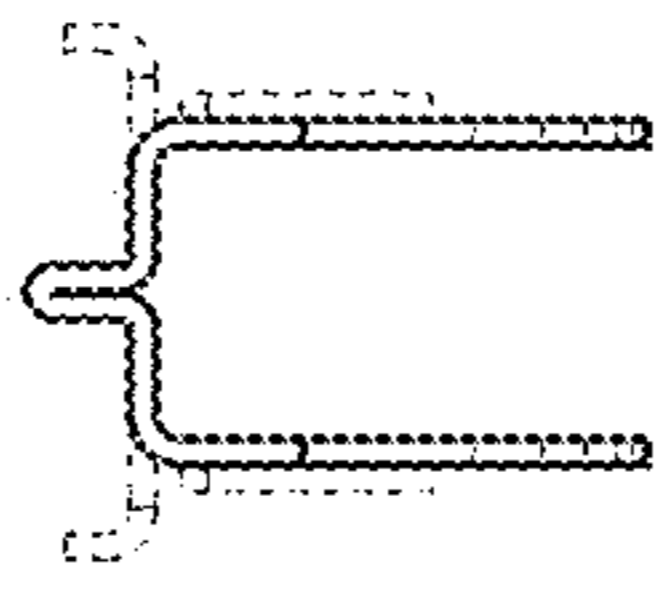


FIG. 15

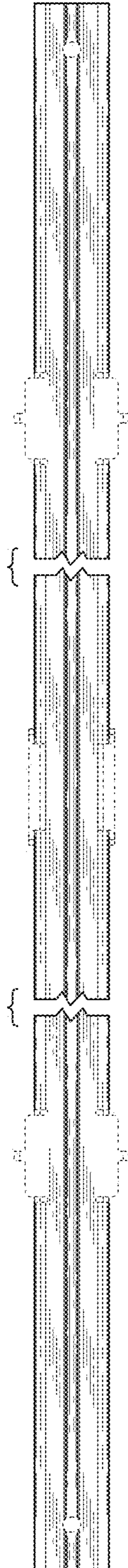


FIG. 17

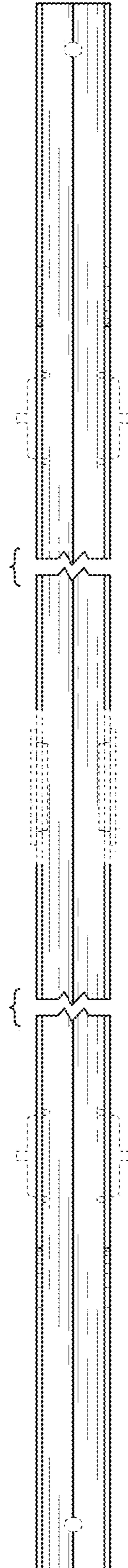


FIG. 18

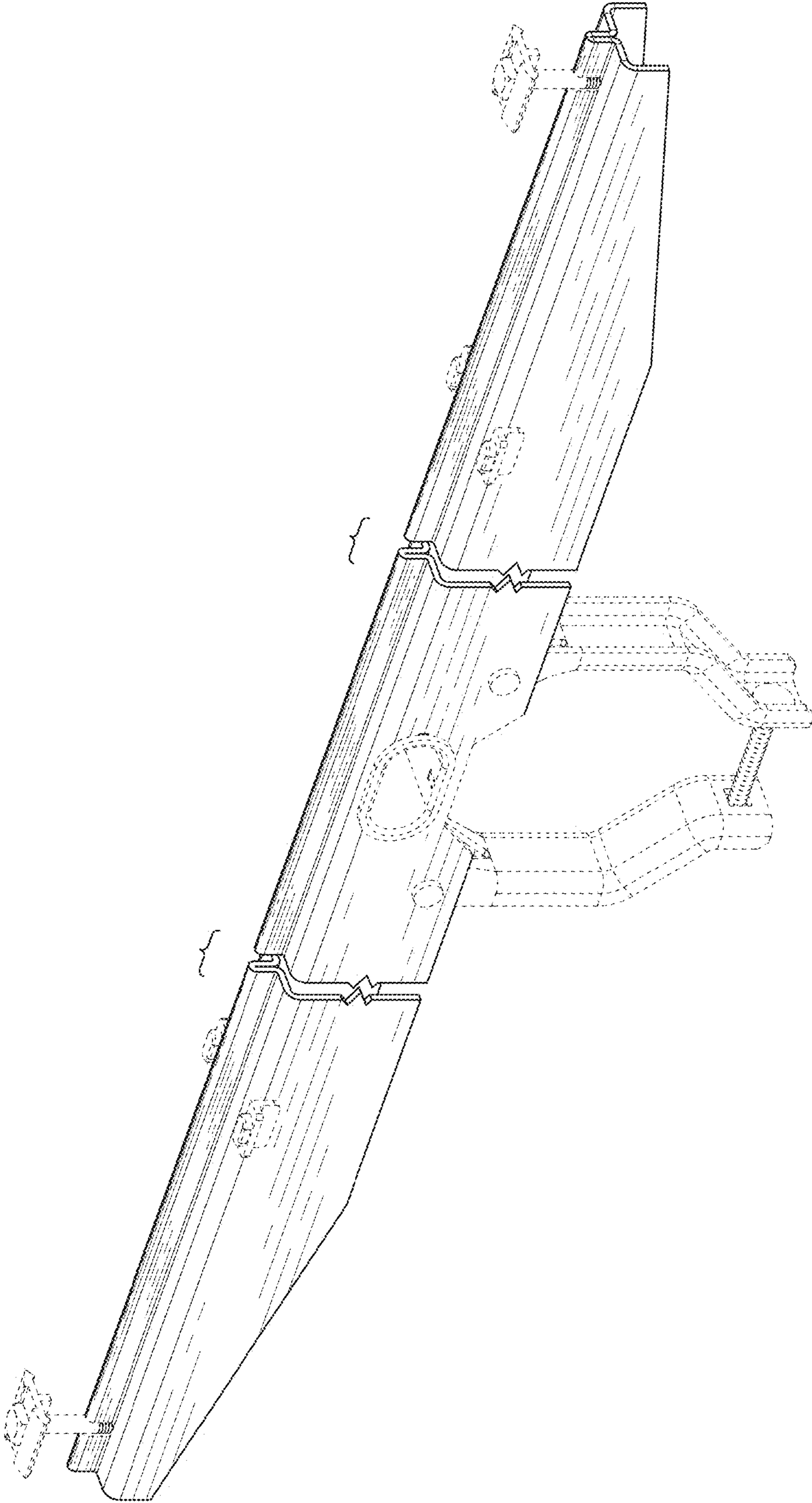


FIG. 19

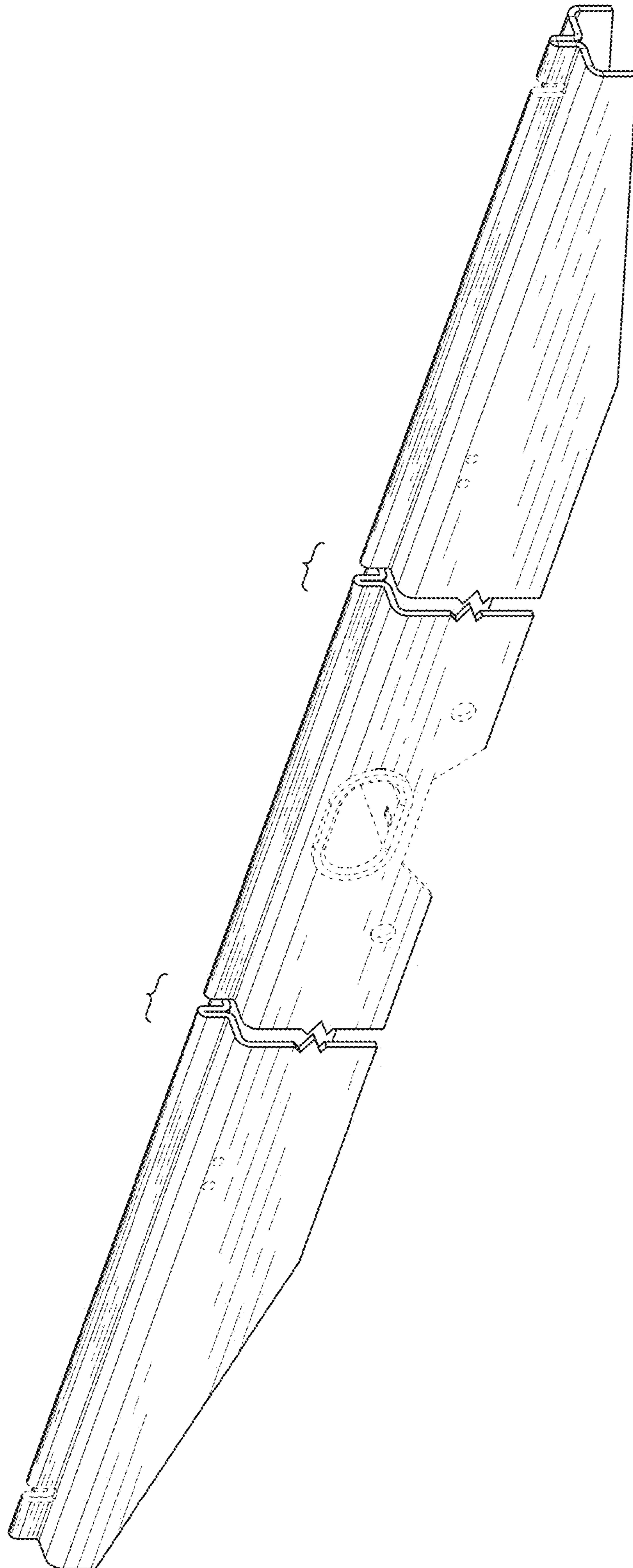


FIG. 20

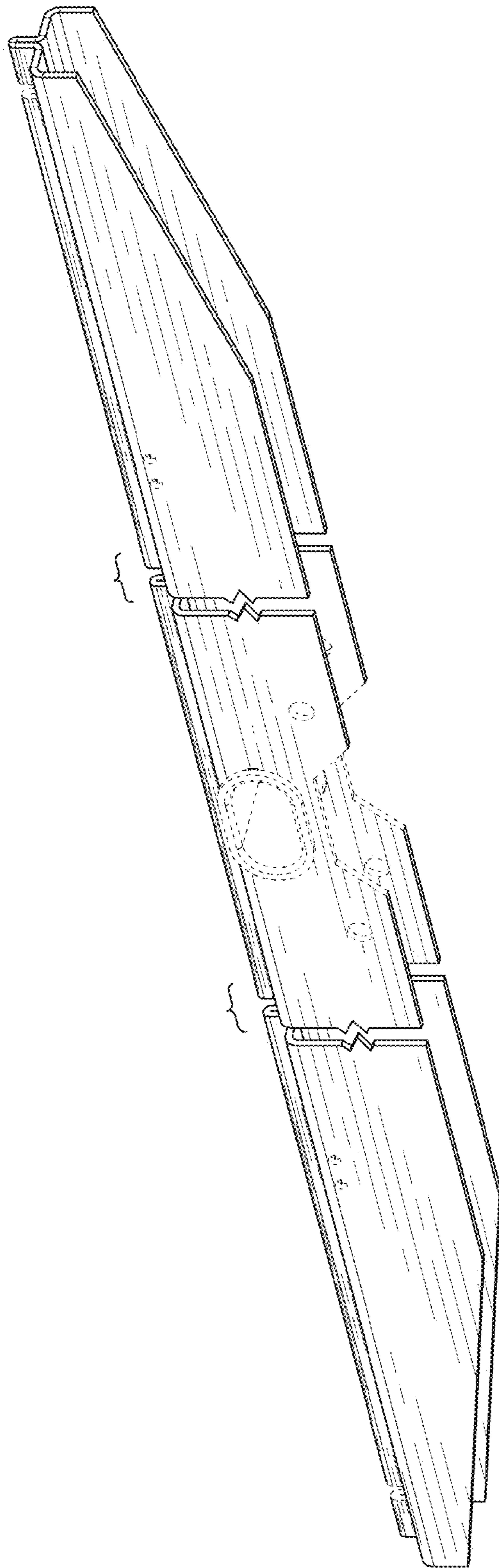


FIG. 21

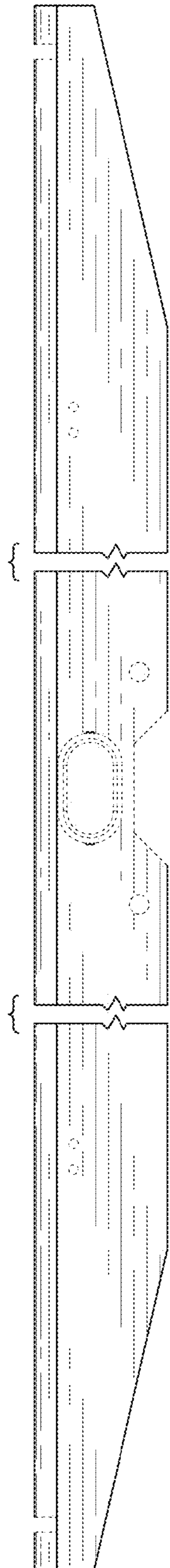


FIG. 22

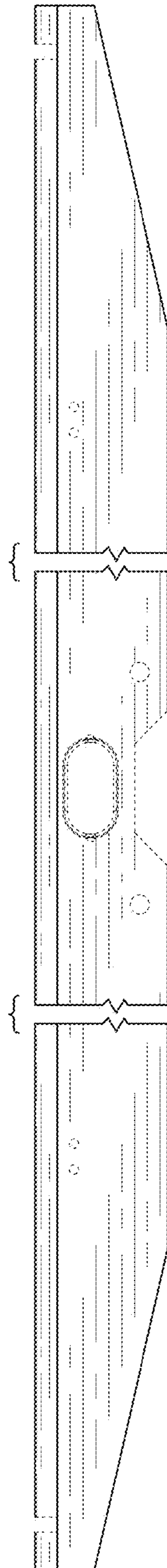


FIG. 23

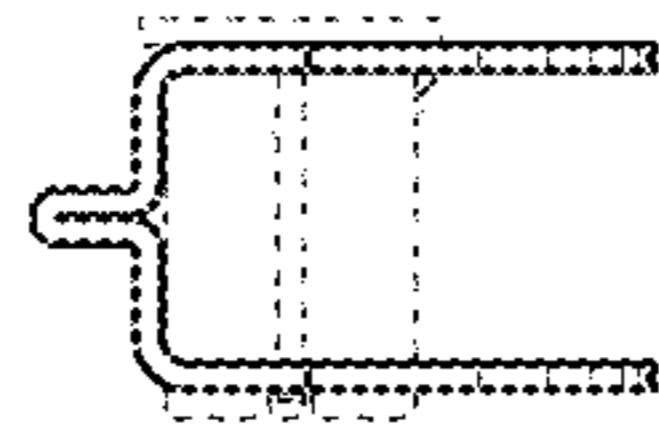


FIG. 24

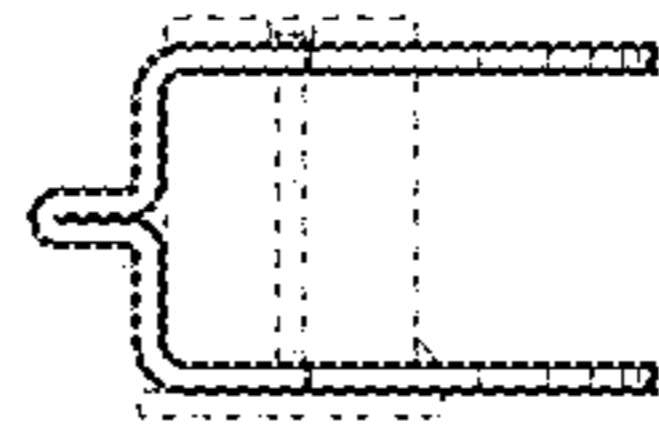


FIG. 25

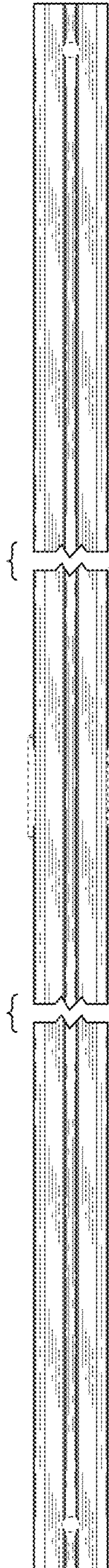


FIG. 26

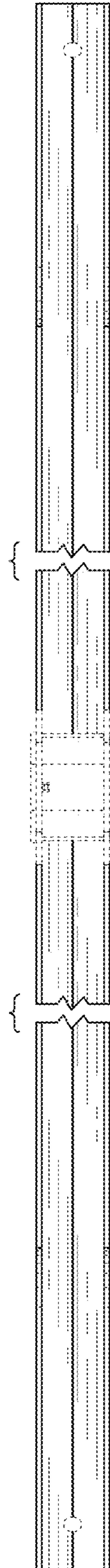


FIG. 27