



US00D956535S

(12) **United States Design Patent**
Paillasson

(10) **Patent No.:** **US D956,535 S**
(45) **Date of Patent:** **** Jul. 5, 2022**

(54) **WALL HANGER**
(71) Applicant: **Jean-Pierre Paillasson**, West
Hollywood, CA (US)
(72) Inventor: **Jean-Pierre Paillasson**, West
Hollywood, CA (US)
(**) Term: **15 Years**
(21) Appl. No.: **29/725,422**

5,225,259 A * 7/1993 Akao B65D 39/04
206/316.1
5,909,821 A * 6/1999 Guridi B65D 81/3886
220/739
5,943,836 A * 8/1999 Kassardjian E04C 5/161
52/301
D417,273 S * 11/1999 Walker E04C 5/161
D24/127
6,152,751 A * 11/2000 Hanson H01R 13/44
439/263
7,931,275 B1 * 4/2011 Strickland A63F 1/00
273/146

(Continued)

(22) Filed: **Feb. 25, 2020**
(51) **LOC (13) Cl.** **08-11**
(52) **U.S. Cl.**
USPC **D8/373**
(58) **Field of Classification Search**
USPC D8/373, 372, 370, 368, 367; D6/315,
D6/317-328, 574, 705
CPC E04C 5/161; E04C 5/165; E04C 5/168;
E04G 21/3252; A63F 9/0406; A63F 9/04;
A63F 2009/0411; A63F 2009/0012; A63F
2009/0058; A63F 2250/04; Y10T 16/21;
B65D 59/06; B65D 81/389
See application file for complete search history.

OTHER PUBLICATIONS

Large Natural Wood Round Wall Mirror with Shelf Storage From House of Hearts®. (Dec. 16, 2017). Amazon.Co.Uk. Retrieved Jan. 7, 2022, URL:<<https://www.amazon.co.uk/Large-Natural-Mirror-Storage-Hearts%C2%AE/dp/B07876ZTFP>> (Year: 2017).*

(Continued)

Primary Examiner — Rachel A. Voorhies
Assistant Examiner — Benjamin D. Wannemacher
(74) *Attorney, Agent, or Firm* — Trojan Law Offices

(56) **References Cited**

U.S. PATENT DOCUMENTS

1,616,328 A * 2/1927 Nix A63F 3/00082
273/246
2,060,463 A * 11/1936 Gessler A63F 9/0406
273/145 A
2,103,095 A * 12/1937 Schermerhorn A47B 91/04
248/188.9
2,831,948 A * 4/1958 Fraser H02B 1/048
200/295
5,039,101 A * 8/1991 Potter A63F 7/048
273/144 B
5,084,316 A * 1/1992 Akao C08K 5/0008
428/36.92
5,106,665 A * 4/1992 Akao C08K 5/1575
206/407

(57) **CLAIM**

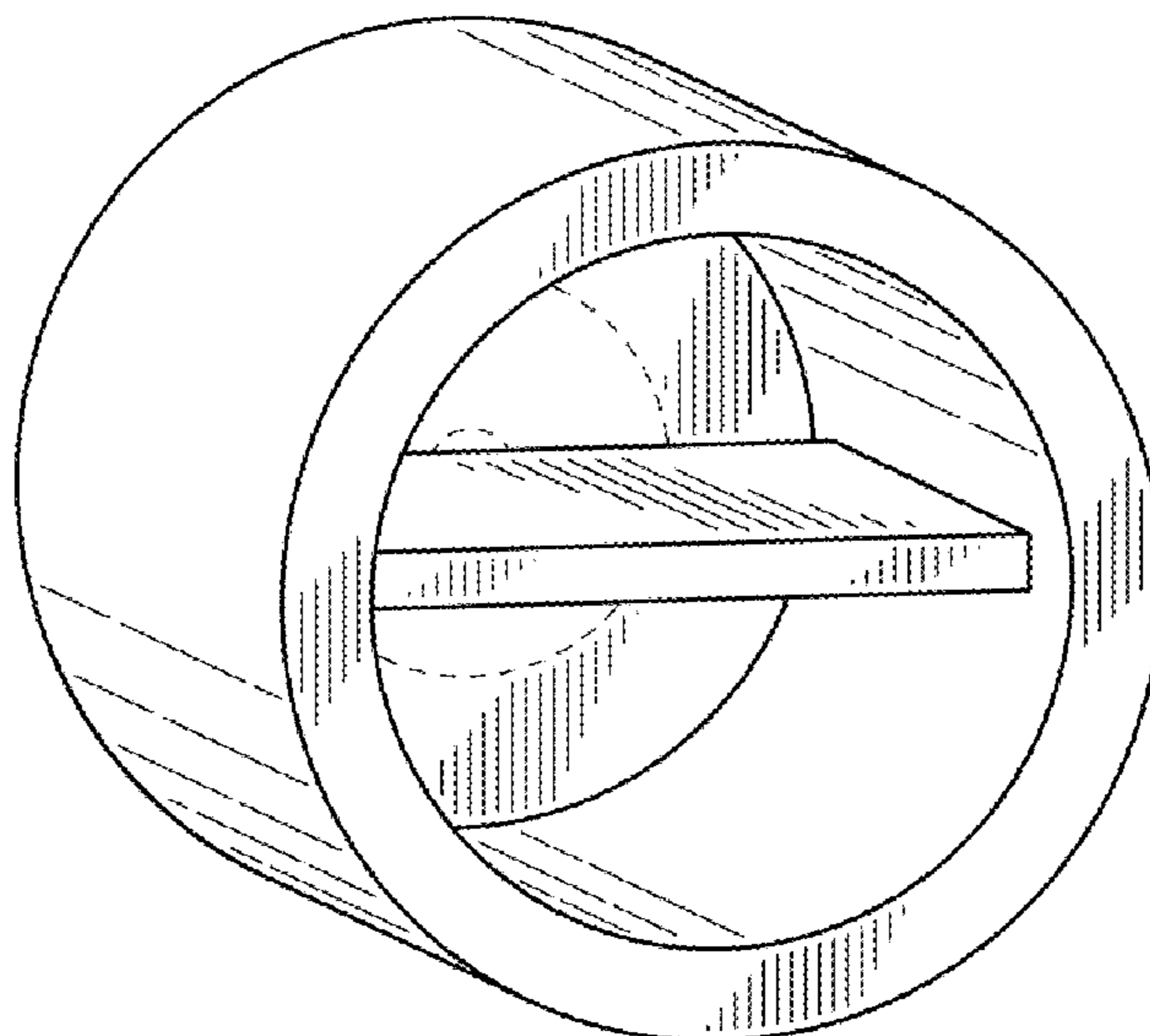
The ornamental design for a wall hanger, as shown and described.

DESCRIPTION

FIG. 1 is a front perspective view of a wall hanger in accordance with the present invention; FIG. 2 is a front view of the wall hanger of FIG. 1; and, FIG. 3 is a right-side cross-sectional view of the wall hanger of FIG. 1.

Any broken lines, shown throughout the drawing figures, are included for the purpose of illustrating environmental structures and form no part of the claimed design.

1 Claim, 1 Drawing Sheet



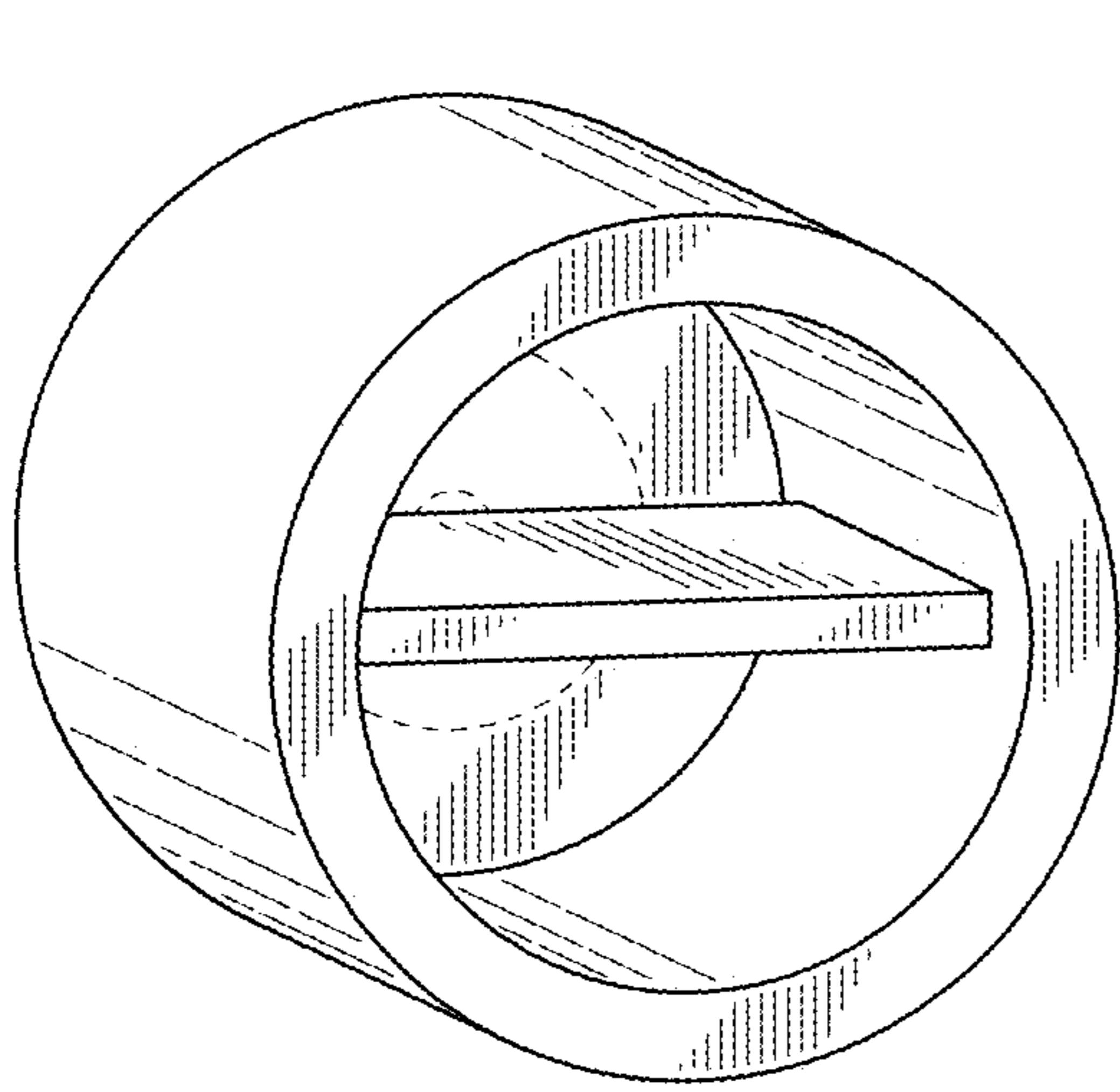


FIG. 1

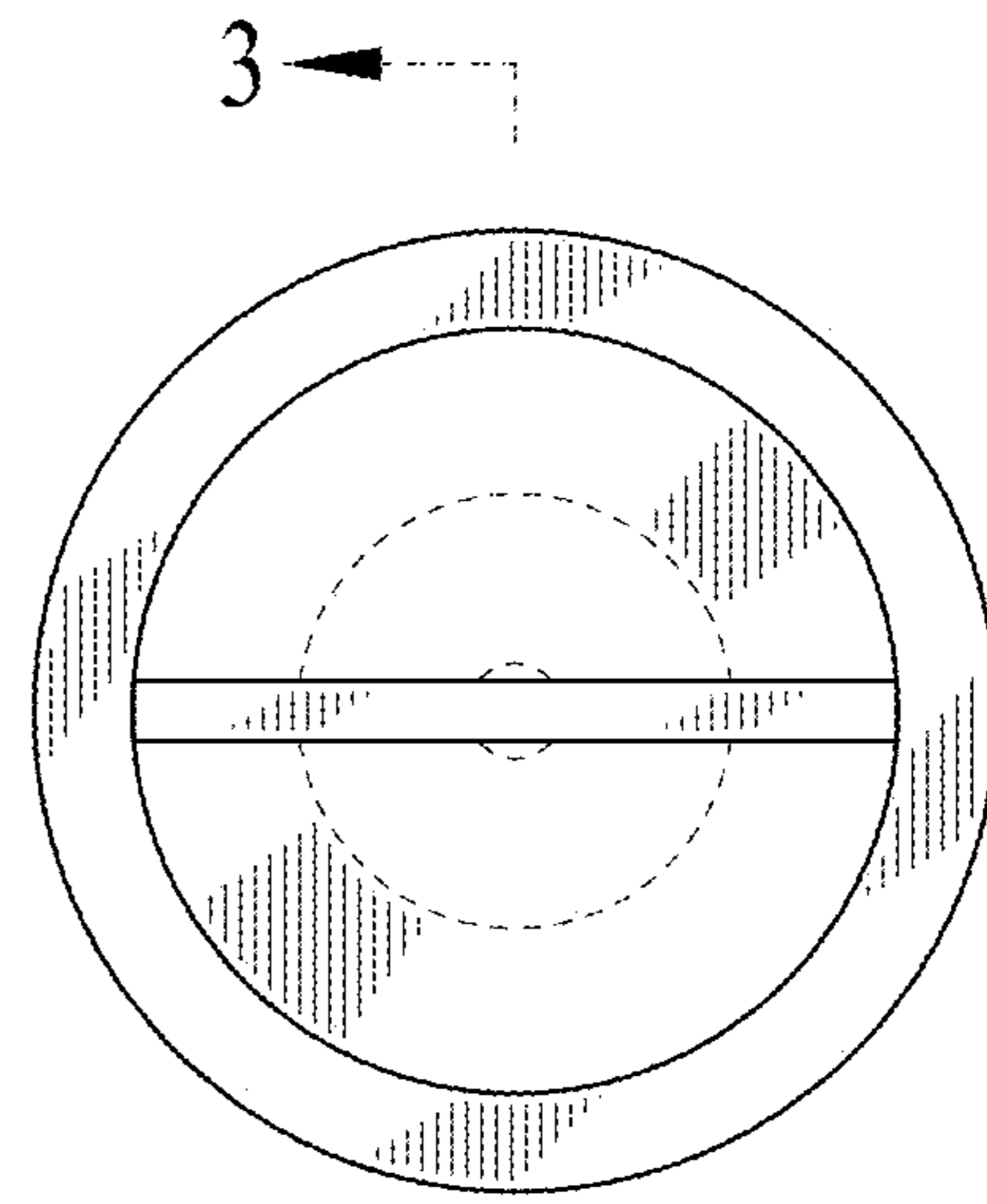


FIG. 2

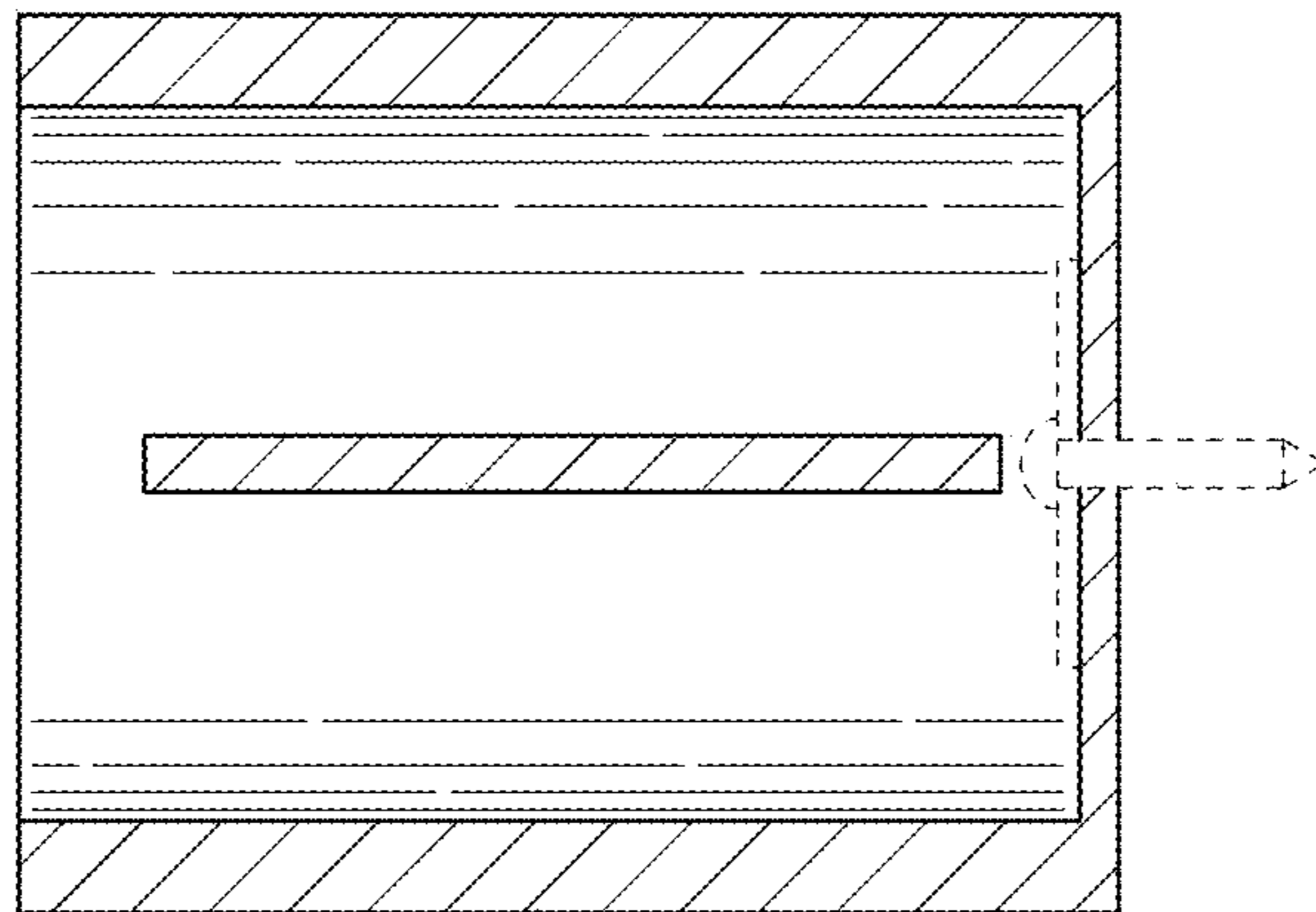


FIG. 3