



US00D956534S

(12) **United States Design Patent**
Valdez Ontiveros et al.

(10) **Patent No.:** **US D956,534 S**
(45) **Date of Patent:** **** Jul. 5, 2022**

(54) **PAIR OF HOOKS**

(71) Applicant: **Louisville Ladder Inc.**, Louisville, KY (US)

(72) Inventors: **Victor Hugo Valdez Ontiveros**, Nuevo León C.P. (MX); **Andres Eduardo Reyes Acosta**, Nuevo León C.P. (MX)

(73) Assignee: **LOUISVILLE LADDER INC.**, Louisville, KY (US)

(**) Term: **15 Years**

(21) Appl. No.: **29/615,335**

(22) Filed: **Aug. 28, 2017**

(51) **LOC (13) Cl.** **08-05**

(52) **U.S. Cl.**
USPC **D8/372**

(58) **Field of Classification Search**

USPC D08/373, 358, 359, 354, 71, 330, 336,
D08/351, 356, 360.1, 363, 364, 367, 370,
(Continued)

(56) **References Cited**

U.S. PATENT DOCUMENTS

D290,931 S 7/1987 Powell
D307,384 S 4/1990 Phillips
(Continued)

FOREIGN PATENT DOCUMENTS

CA 2 883 793 A1 4/2014

Primary Examiner — Joseph Kukella

(74) *Attorney, Agent, or Firm* — Orrick, Herrington & Sutcliffe LLP

(57) **CLAIM**

The ornamental design for a pair of hooks, as shown and described.

DESCRIPTION

FIG. 1 is a perspective view illustrating a first embodiment of our new and ornamental design for a pair of hooks, wherein the hooks are disposed on a ladder; FIG. 2 is a left-side view illustrating the new and ornamental design for the hooks of FIG. 1; FIG. 3 is a right-side view illustrating the new and ornamental design for the hooks of FIG. 1; FIG. 4 is a front view illustrating the new and ornamental design for the hooks of FIG. 1; FIG. 5 is a back view illustrating the new and ornamental design for the hooks of FIG. 1; FIG. 6 is a top view illustrating the new and ornamental design for the hooks of FIG. 1; FIG. 7 is a bottom view illustrating the new and ornamental design for the hooks of FIG. 1; FIG. 8 is a perspective view illustrating a second embodiment of our new and ornamental design for a pair of hooks, wherein the hooks are disposed on a ladder; FIG. 9 is a left-side view illustrating the new and ornamental design for the hooks of FIG. 8; FIG. 10 is a right-side view illustrating the new and ornamental design for the hooks of FIG. 8; FIG. 11 is a front view illustrating the new and ornamental design for the hooks of FIG. 8; FIG. 12 is a back view illustrating the new and ornamental design for the hooks of FIG. 8; FIG. 13 is a top view illustrating the new and ornamental design for the hooks of FIG. 8; FIG. 14 is a bottom view illustrating the new and ornamental design for the hooks of FIG. 8; FIG. 15 is a perspective view illustrating a third embodiment of our new and ornamental design for a pair of hooks, wherein the hooks are disposed on a ladder; FIG. 16 is a left-side view illustrating the new and ornamental design for the hooks of FIG. 15; FIG. 17 is a right-side view illustrating the new and ornamental design for the hooks of FIG. 15;

(Continued)

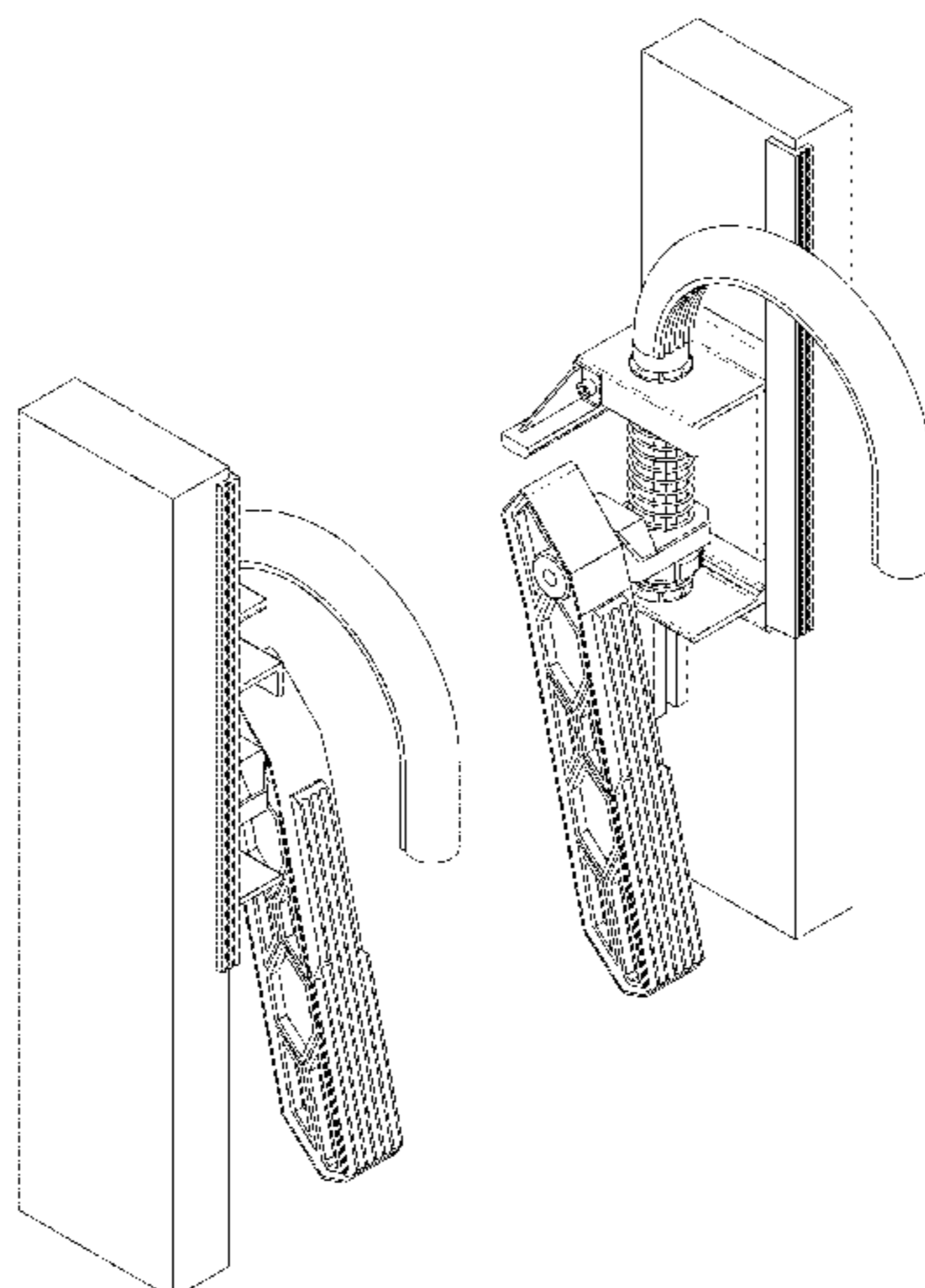


FIG. 18 is a front view illustrating the new and ornamental design for the hooks of FIG. 15;
 FIG. 19 is a back view illustrating the new and ornamental design for the hooks of FIG. 15;
 FIG. 20 is a top view illustrating the new and ornamental design for the hooks of FIG. 15;
 FIG. 21 is a bottom view illustrating the new and ornamental design for the hooks of FIG. 15;
 FIG. 22 is a perspective view illustrating a fourth embodiment of our new and ornamental design for a pair of hooks, wherein the hooks are disposed on a ladder;
 FIG. 23 is a left-side view illustrating the new and ornamental design for the hooks of FIG. 22;
 FIG. 24 is a right-side view illustrating the new and ornamental design for the hooks of FIG. 22;
 FIG. 25 is a front view illustrating the new and ornamental design for the hooks of FIG. 22;
 FIG. 26 is a back view illustrating the new and ornamental design for the hooks of FIG. 22;
 FIG. 27 is a top view illustrating the new and ornamental design for the hooks of FIG. 22; and,
 FIG. 28 is a bottom view illustrating the new and ornamental design for the hooks of FIG. 22.

1 Claim, 25 Drawing Sheets

(58) Field of Classification Search

USPC D08/372, 379, 381, 382, 395, 396;
 D06/349, 352; D09/426, 502, 750;
 D10/72, 73, 89; D11/79, 93; D13/103,
 D13/107; D19/67; D21/673, 674, 675,
 D21/839, 840; D25/19, 62, 68, 69;
 D26/40, 49; D29/122, 124; D30/153,
 D30/155
 CPC B65H 75/40; B65H 75/4407;
 B65H 75/4471; B65H 2701/34; B65H
 2701/32; B65H 2511/142; B65H 29/008;
 B65H 85/66; B65H 85/67; B65H
 2701/33; B65H 54/585; B65H 51/22;

(56)

B65H 75/08; B65H 75/02; B65H
 2301/41485; B65H 75/4468; B65H
 2301/414323; B65H 2301/414325; B65H
 16/02; B65H 2301/4131; B65H 75/403;
 B65H 75/441; B66D 3/006; B66D 3/18;
 B66D 3/26; B66D 3/02; B66D 3/14;
 B63B 21/18; B63B 21/26; B63B 57/005;
 A61G 7/1051; A61G 7/1061; B66B
 11/08; A62C 33/04; B08B 2203/0276;
 B21C 47/28; H02G 11/02; A01K 89/003;
 H04M 1/15; A01D 34/822; A47L 9/26;
 H04R 1/1033; Y10S 24/909; E05C 19/10;
 E05C 17/50; E05C 3/045; E05C 3/30;
 E05C 19/02; E05C 19/026; A47G
 25/0614; A47G 25/18; A47G 25/32;
 A47G 7/047; A47G 7/045; A47G 7/042;
 A47G 7/044; F16B 12/44; F16B 12/46;
 F16B 5/0614; F16B 12/02; E04B 1/2612;
 E04B 2001/2415; E04B 1/5818; E04B
 1/5831; A47B 88/0055; E04F 11/1812;
 F16L 1/0246; A01G 9/024; A01G 25/14;
 A01G 27/001; A01G 9/042; A01G
 27/005; A01G 31/001; A01G 9/02; A01G
 9/083; A01G 9/12

See application file for complete search history.

References Cited

U.S. PATENT DOCUMENTS

D351,334	S	10/1994	Sachs
7,219,766	B2	5/2007	Deuer
D549,356	S	8/2007	Gibson
D615,725	S	5/2010	Phillips
7,753,170	B1	7/2010	Gibson
9,382,759	B2	7/2016	Bolinski et al.
9,404,306	B2	8/2016	Russell et al.
9,593,531	B2	3/2017	Ballard et al.
2005/0284703	A1	12/2005	Deuer
2014/0367194	A1	12/2014	Bolinski et al.
2017/0030142	A1	2/2017	Russell et al.

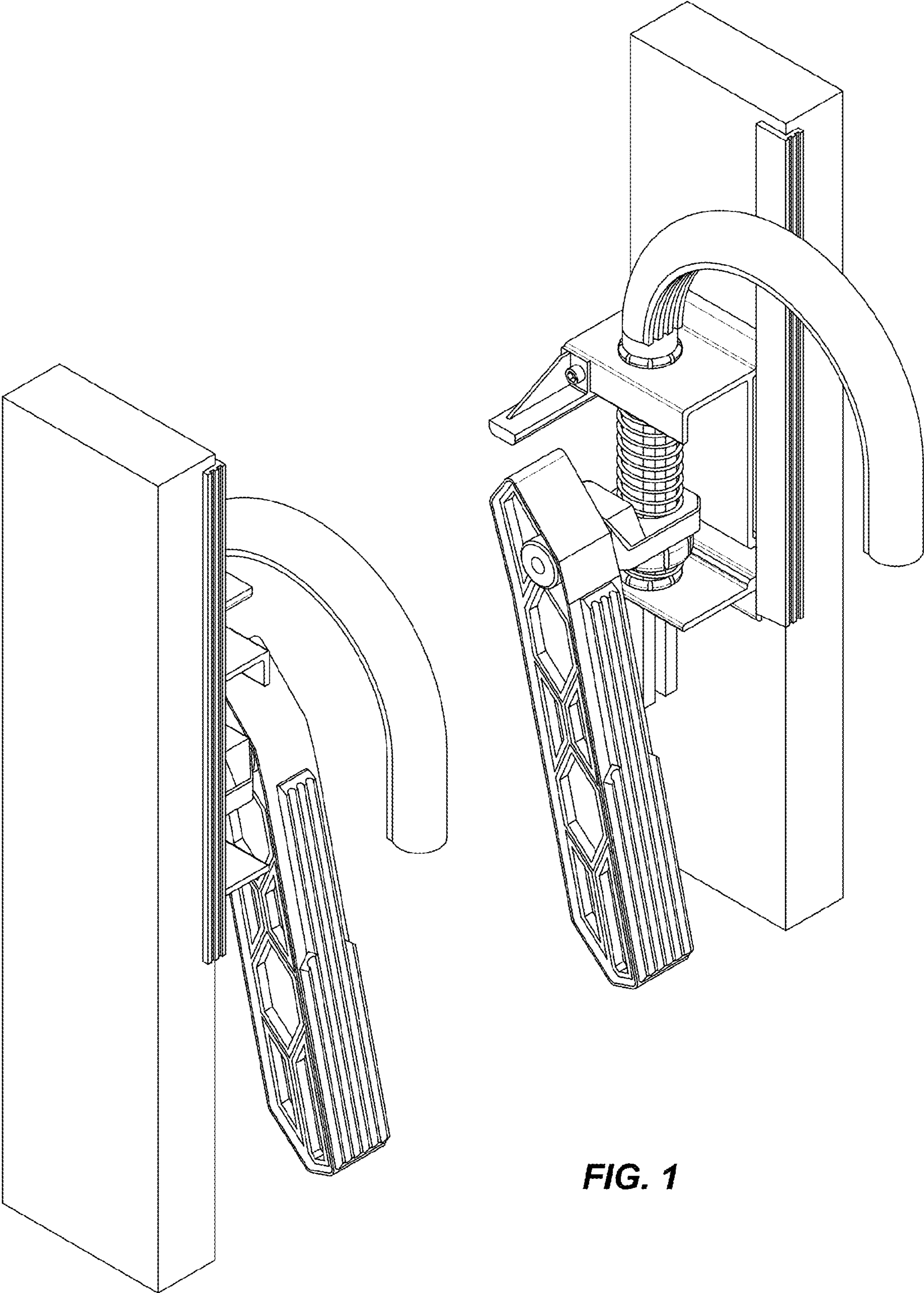


FIG. 1

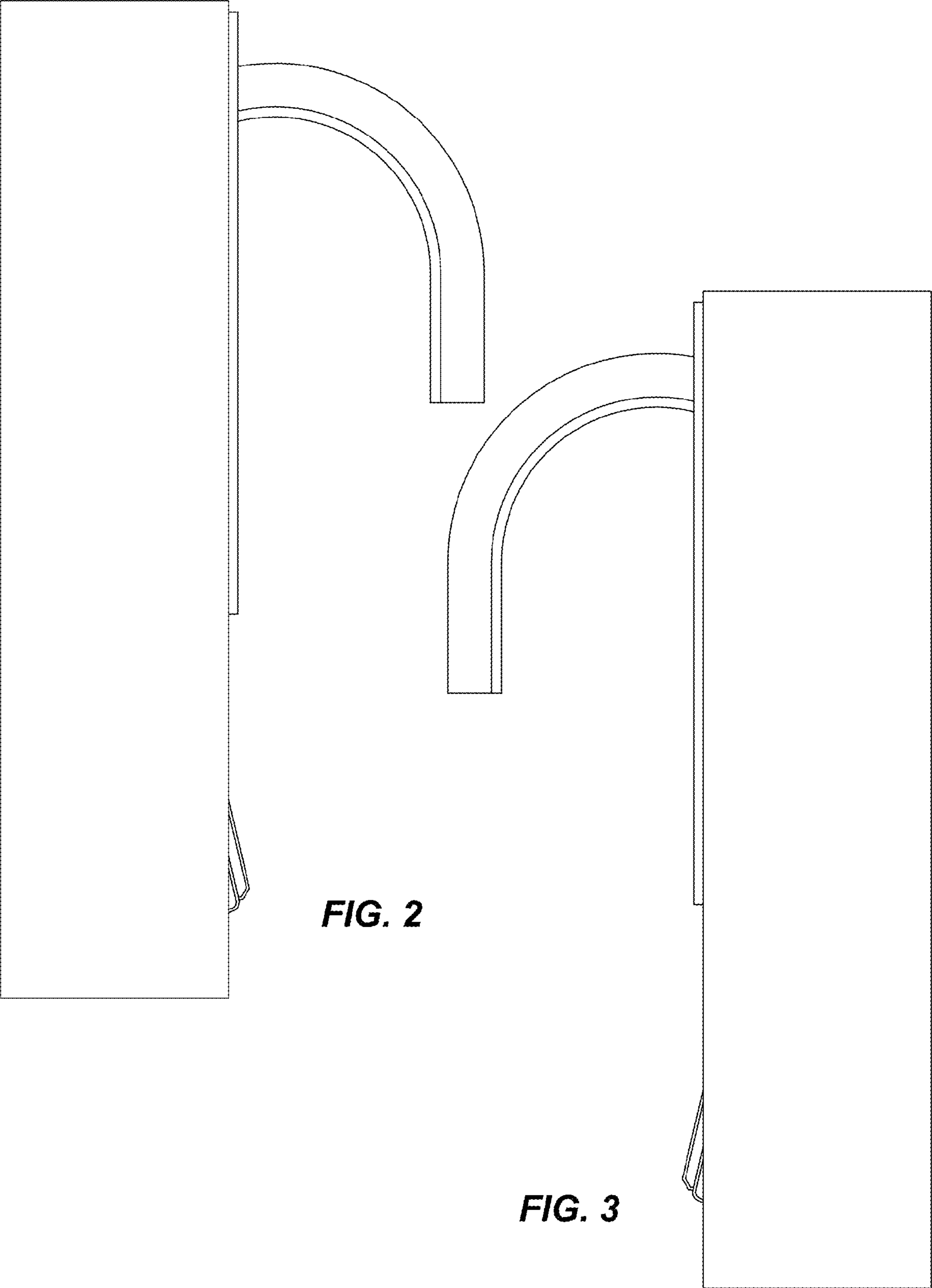


FIG. 2

FIG. 3

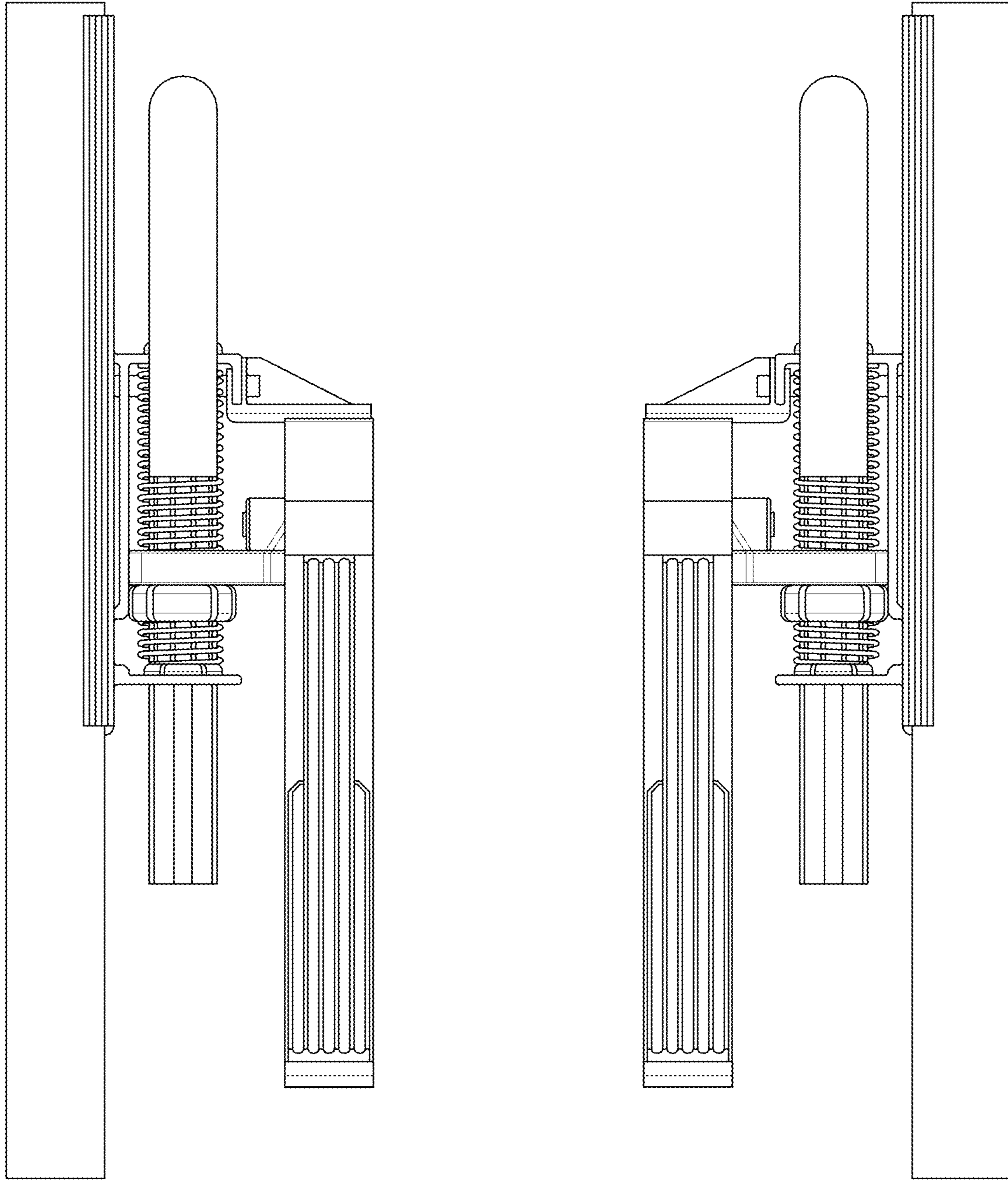


FIG. 4

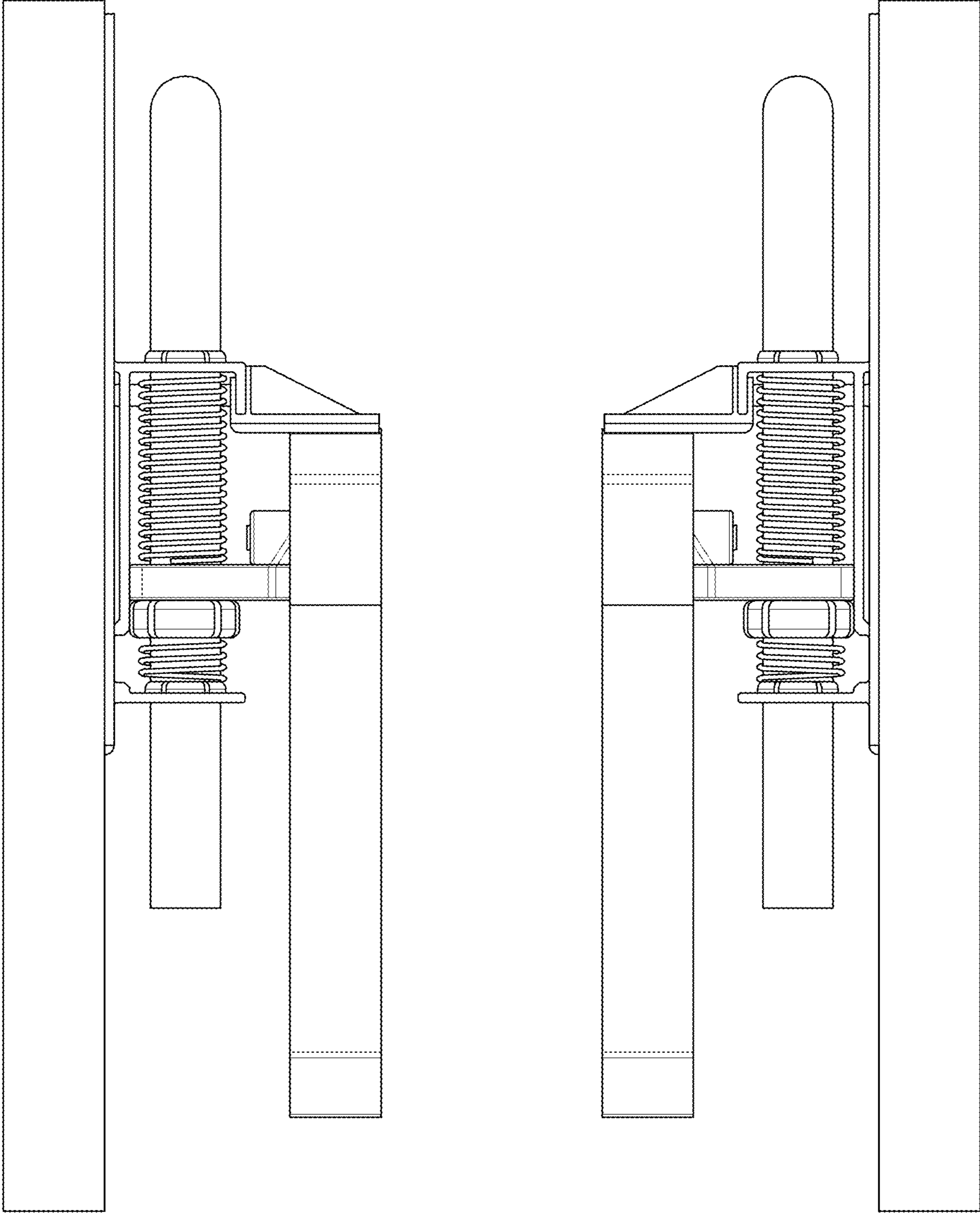


FIG. 5

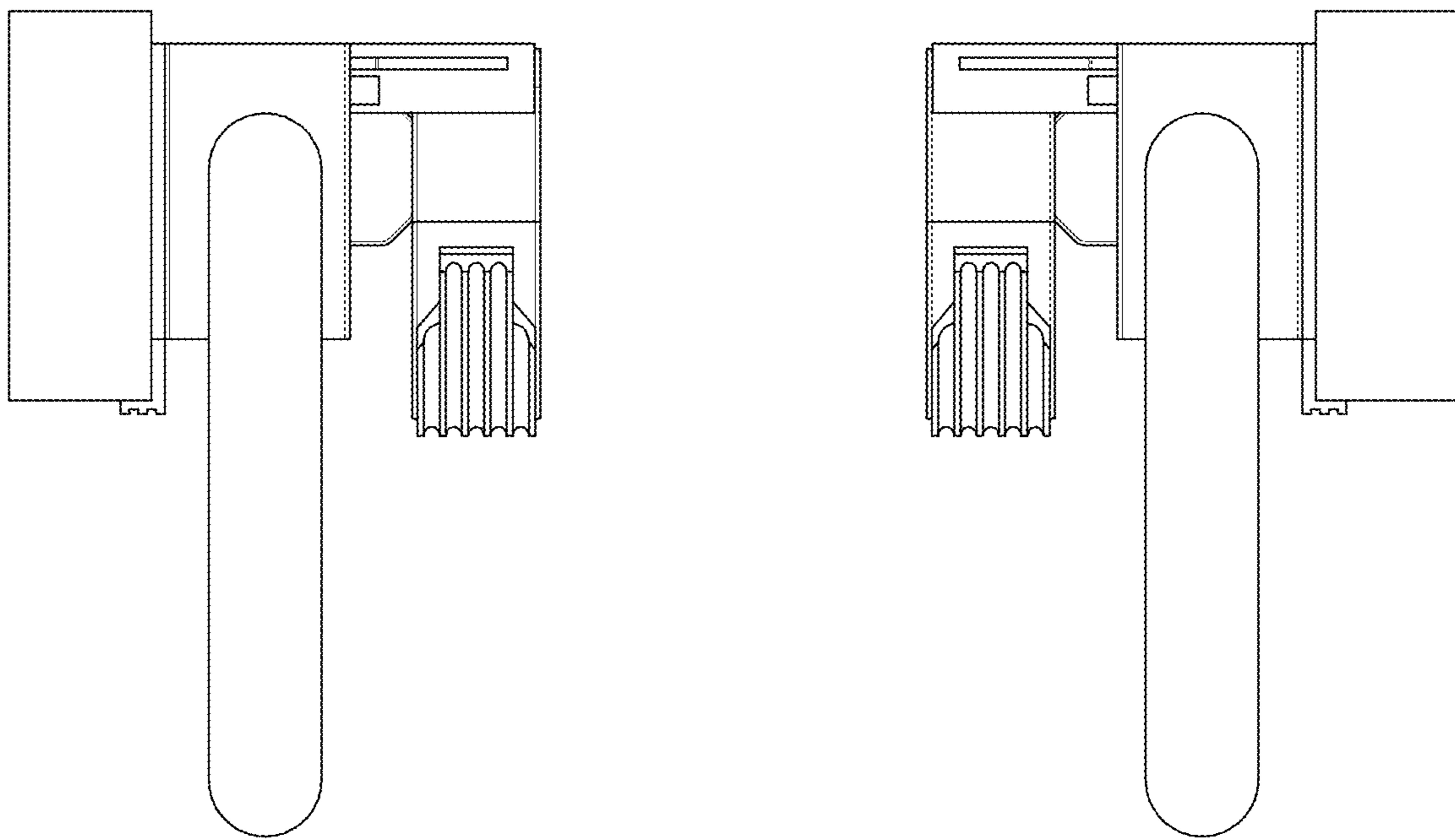


FIG. 6

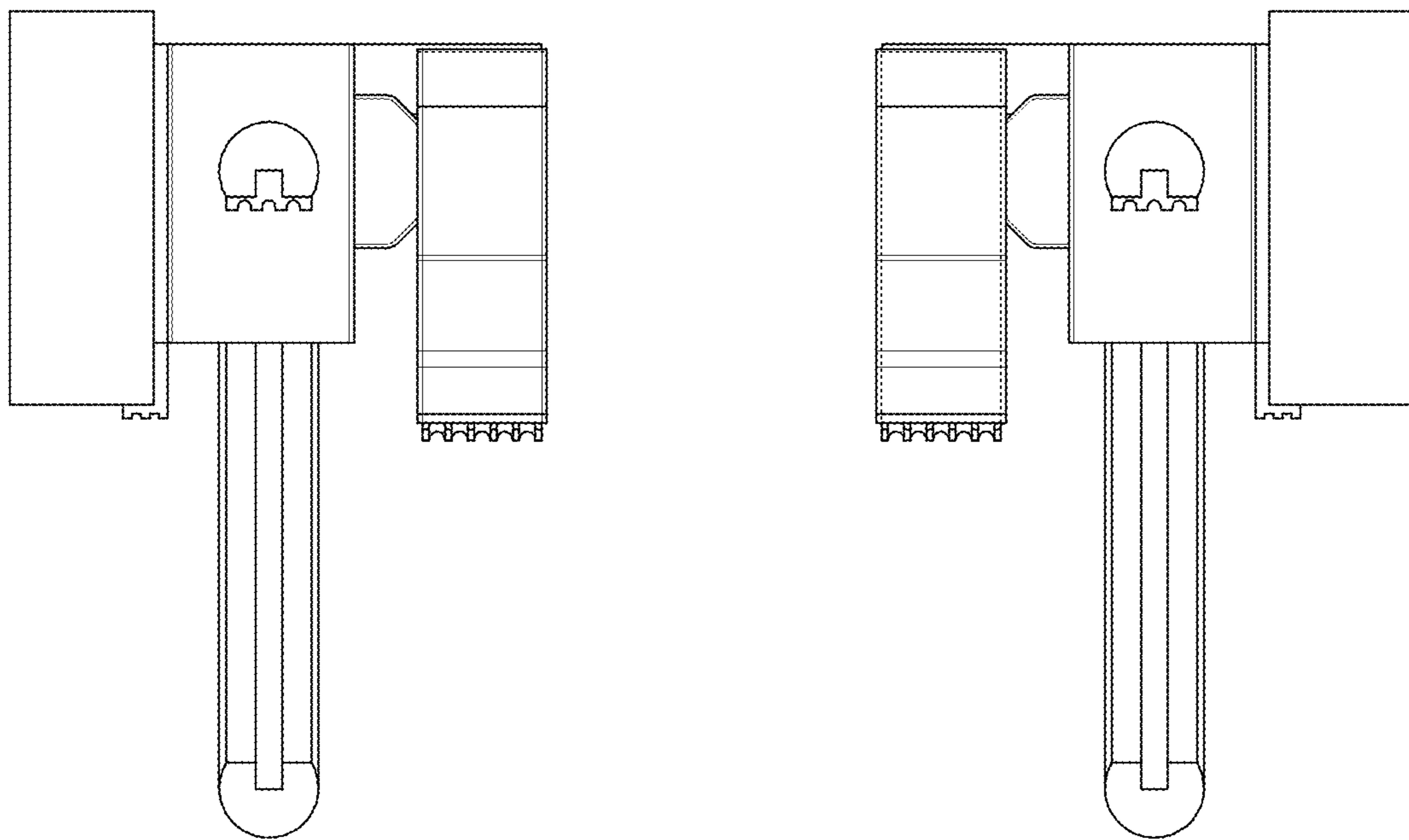


FIG. 7

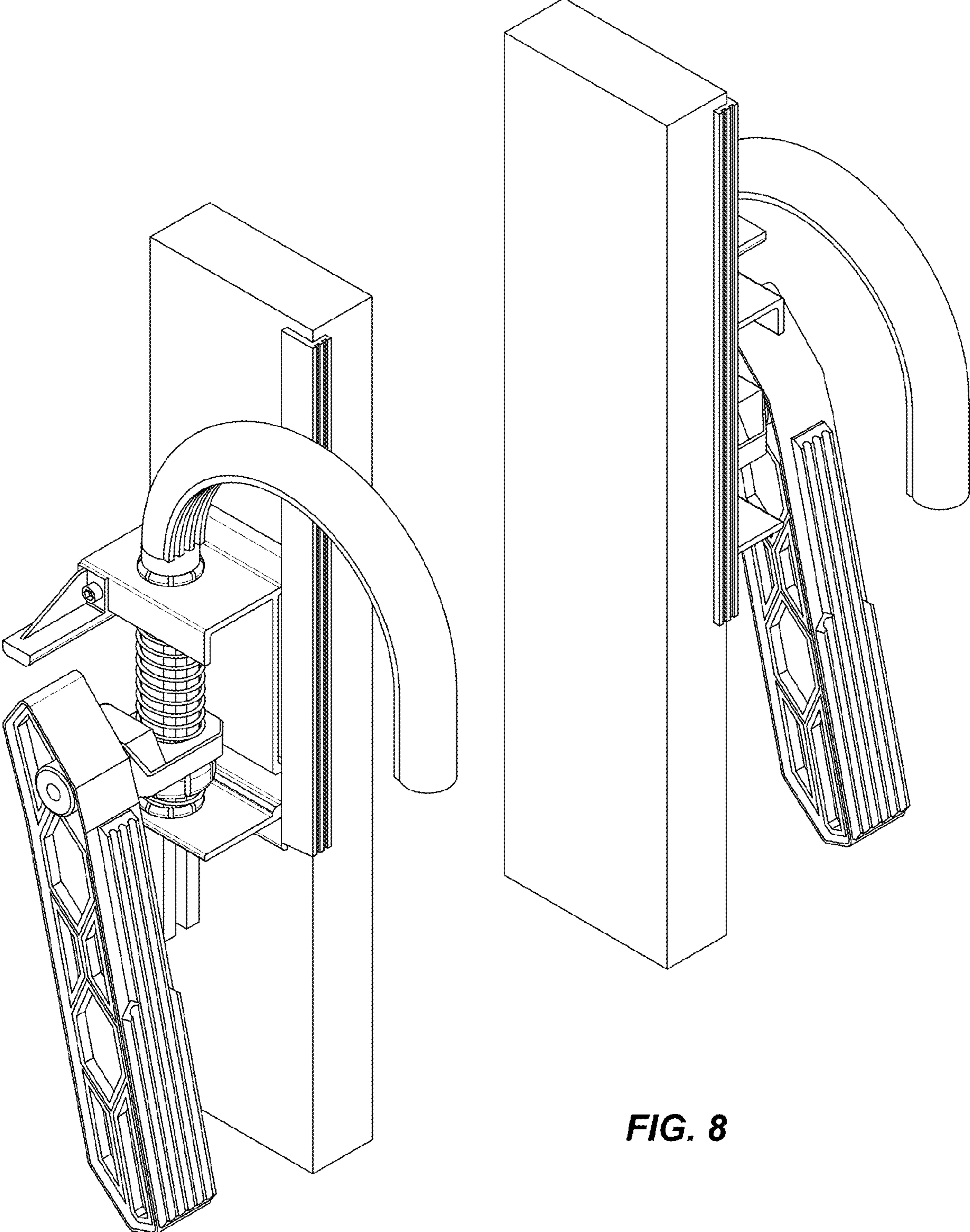


FIG. 8

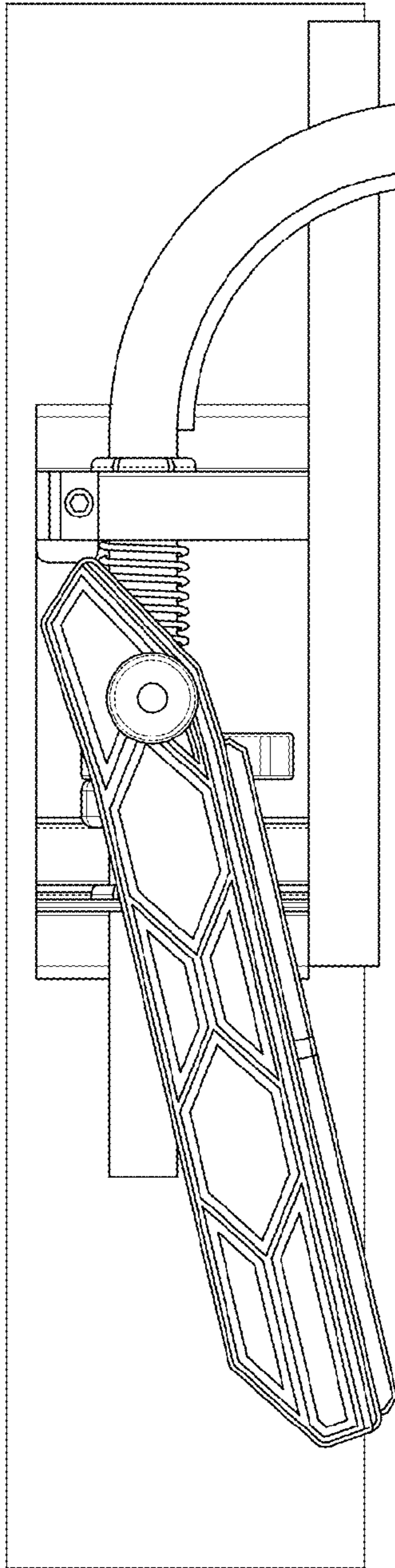


FIG. 9

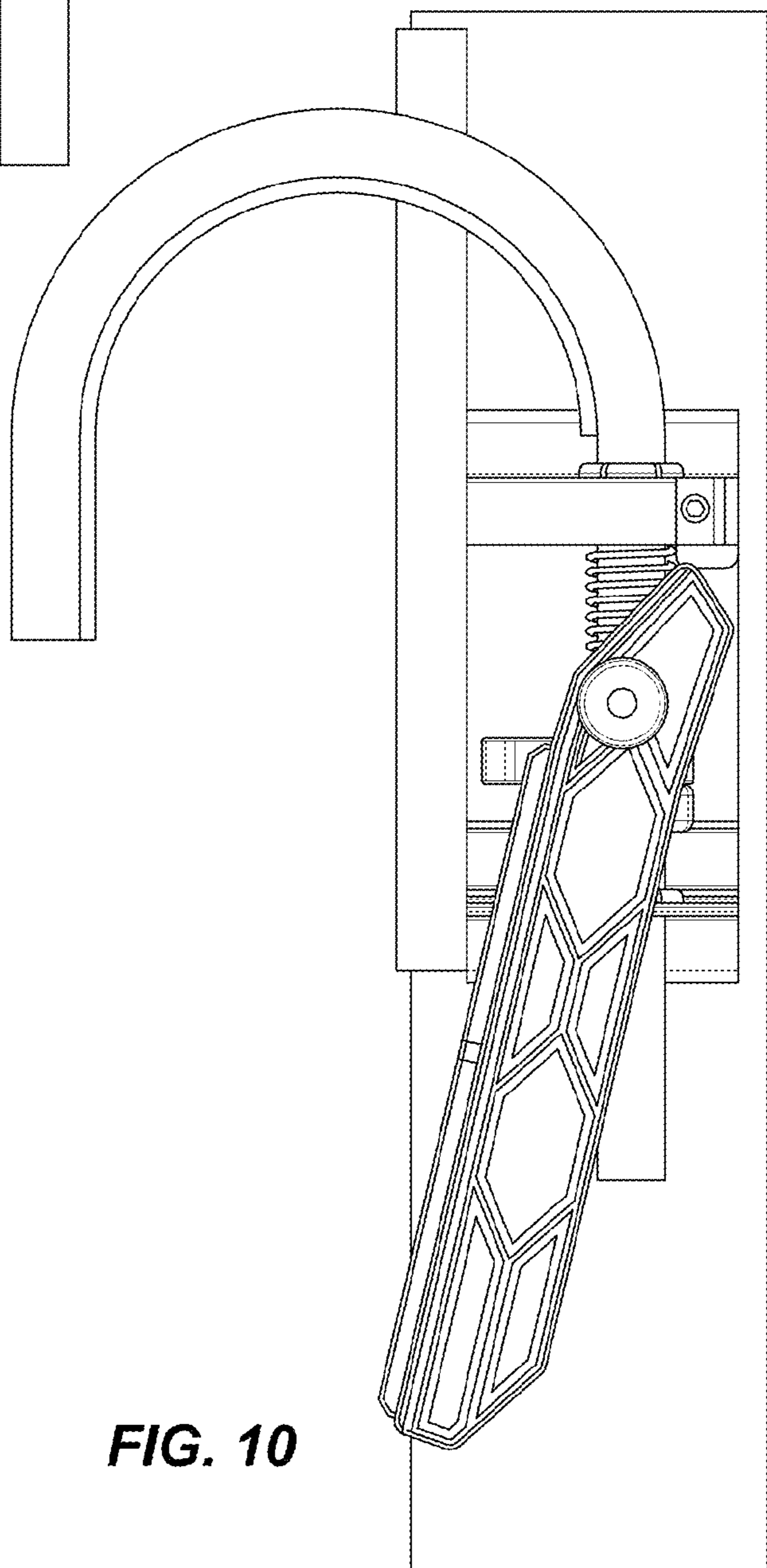


FIG. 10

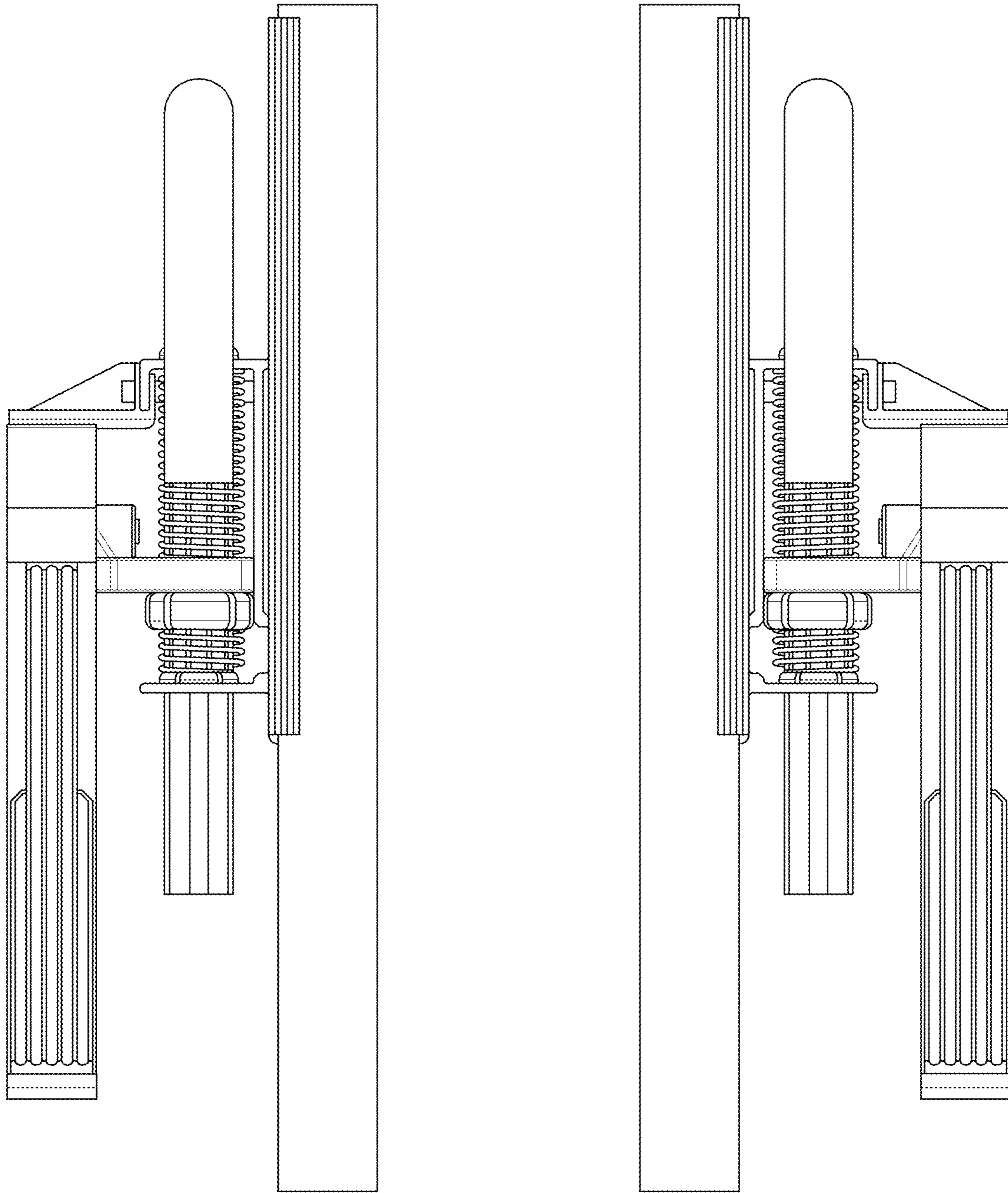


FIG. 11

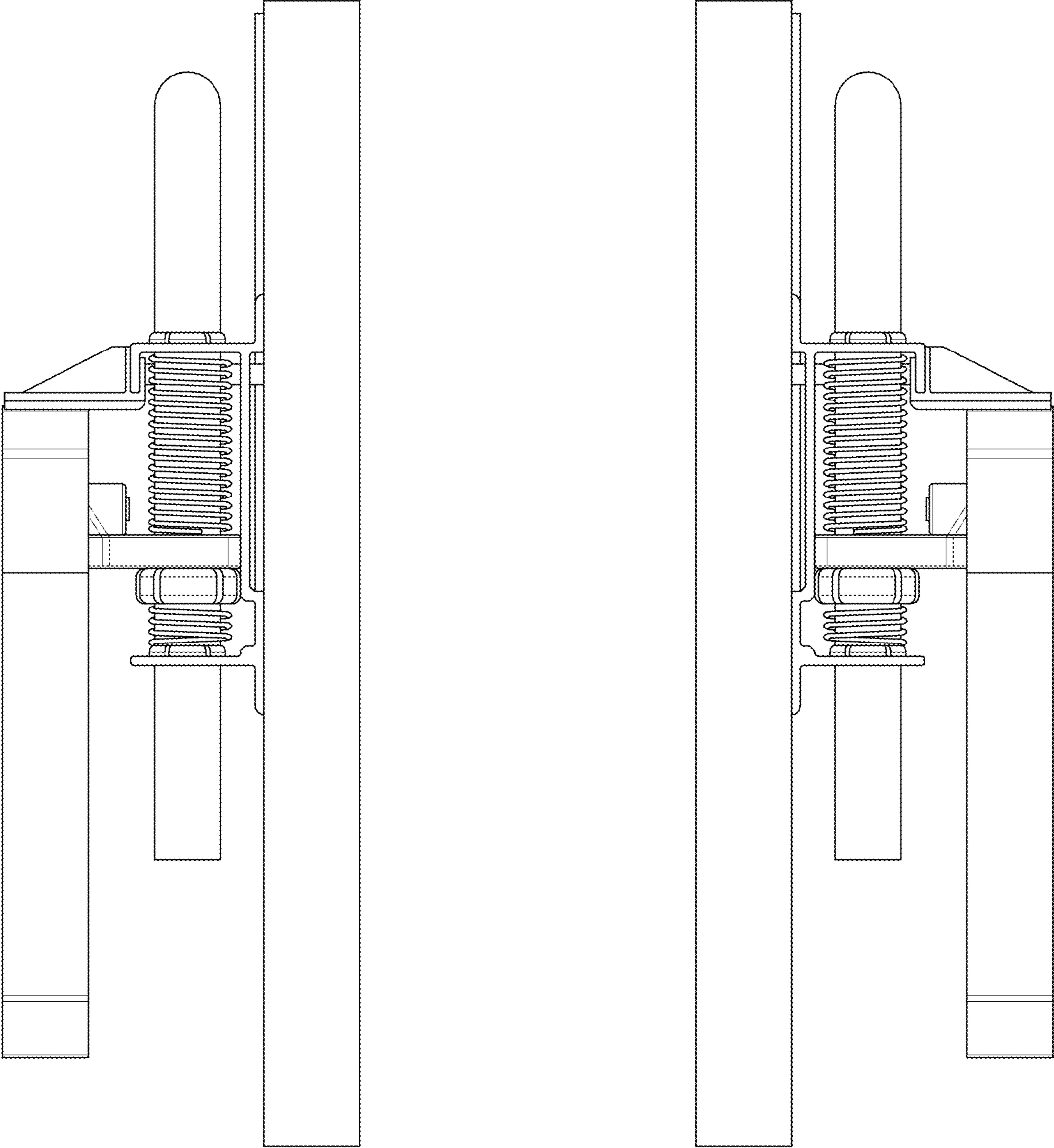


FIG. 12

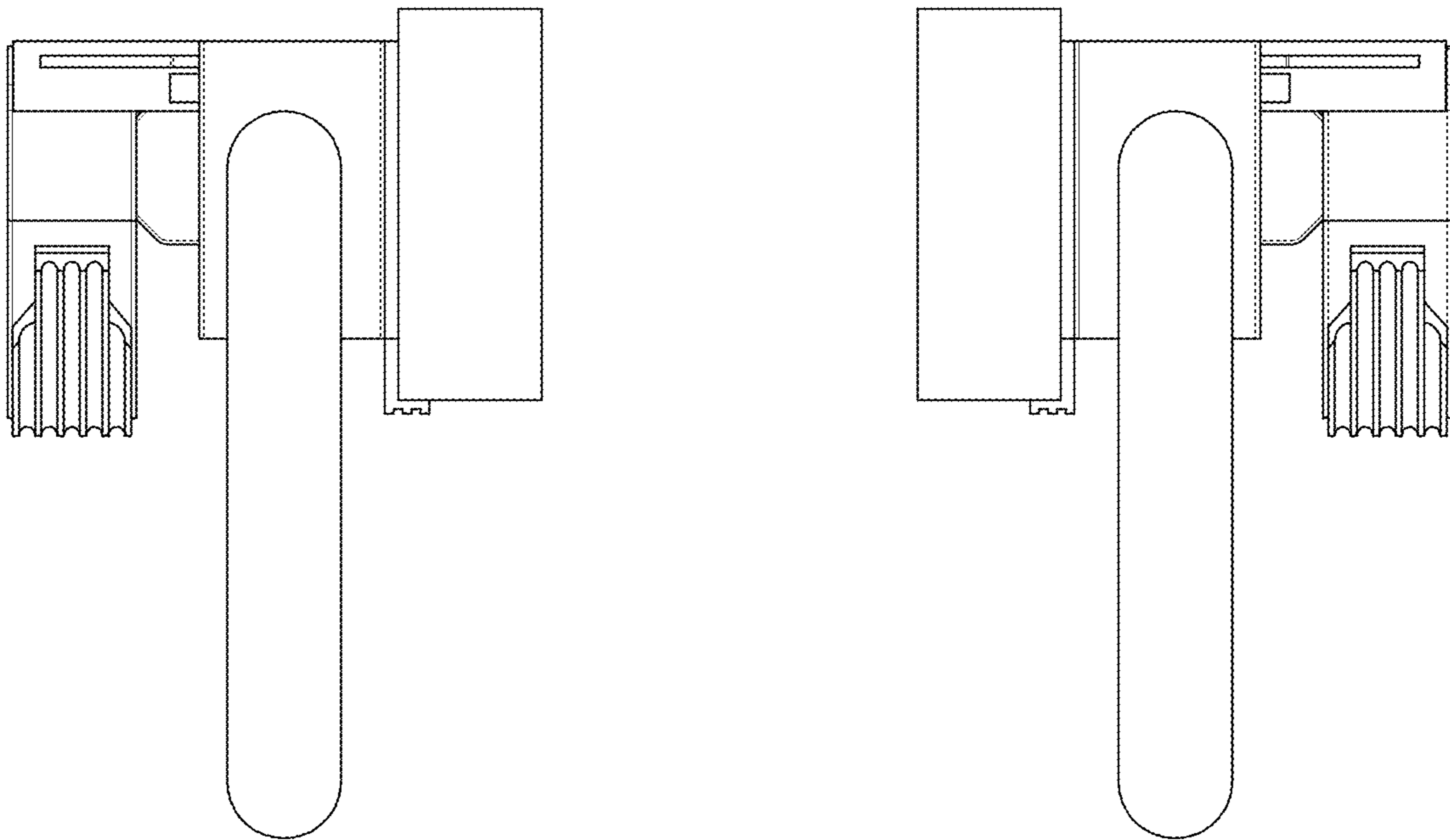


FIG. 13

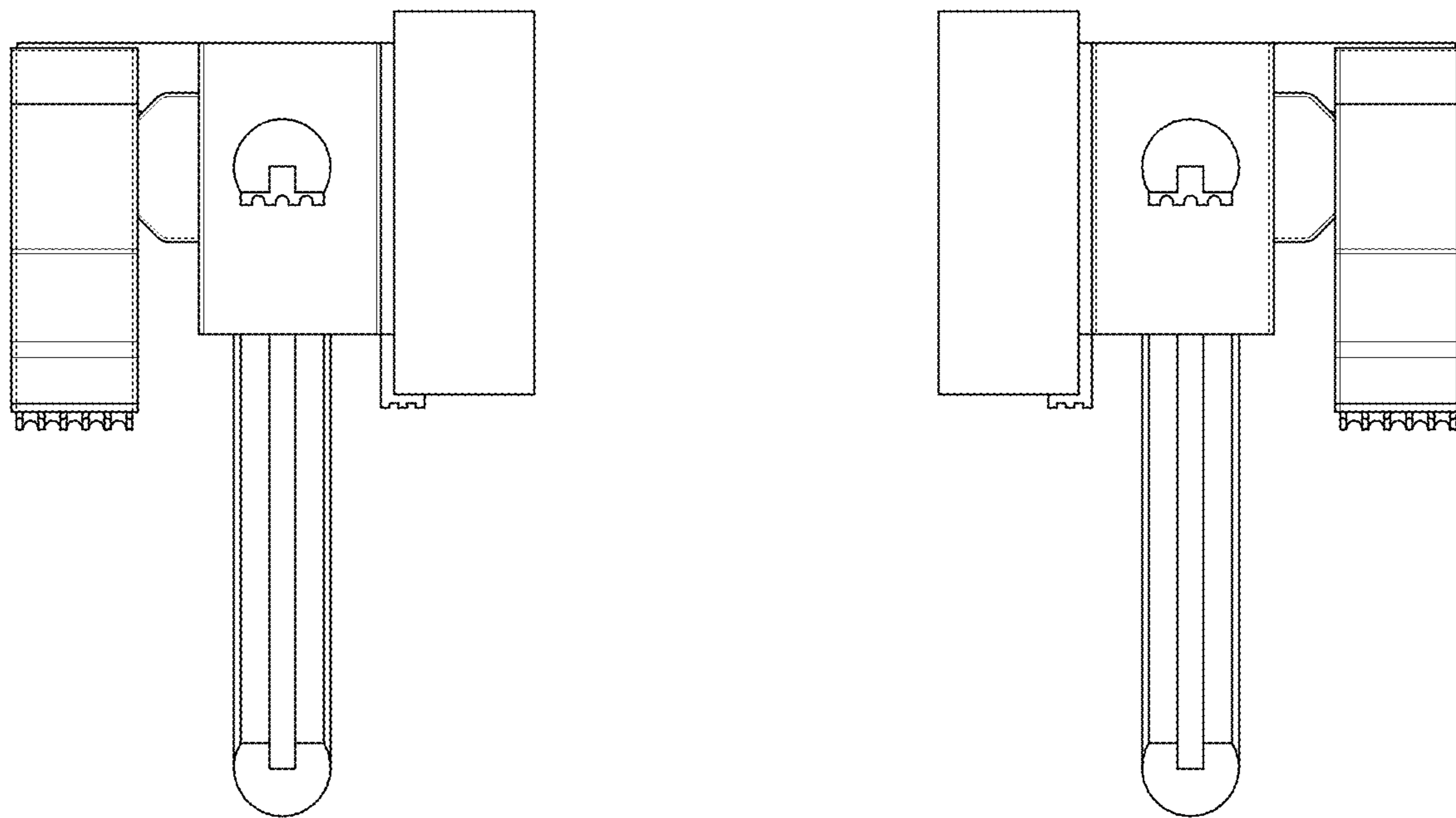


FIG. 14

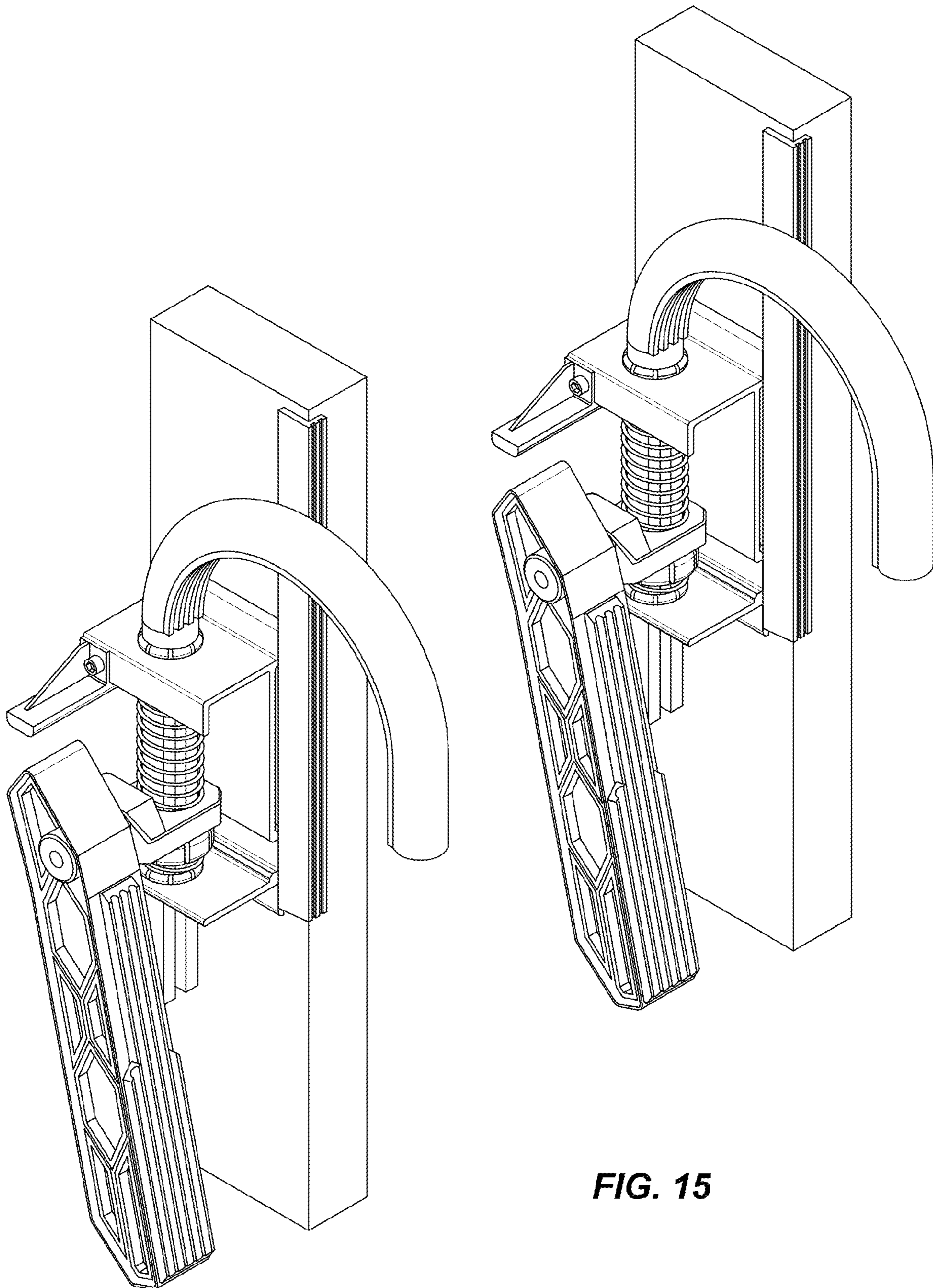


FIG. 15

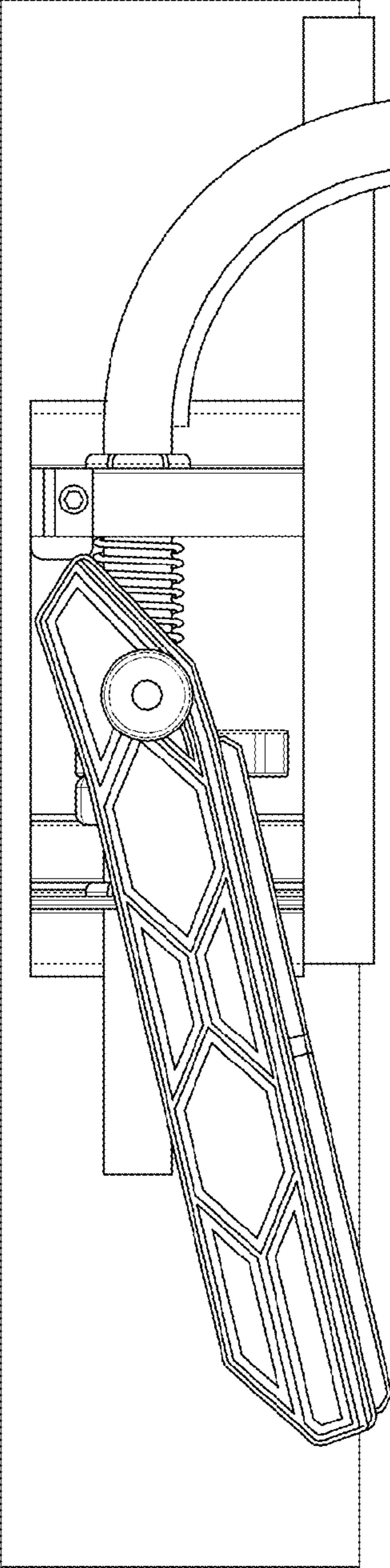


FIG. 16

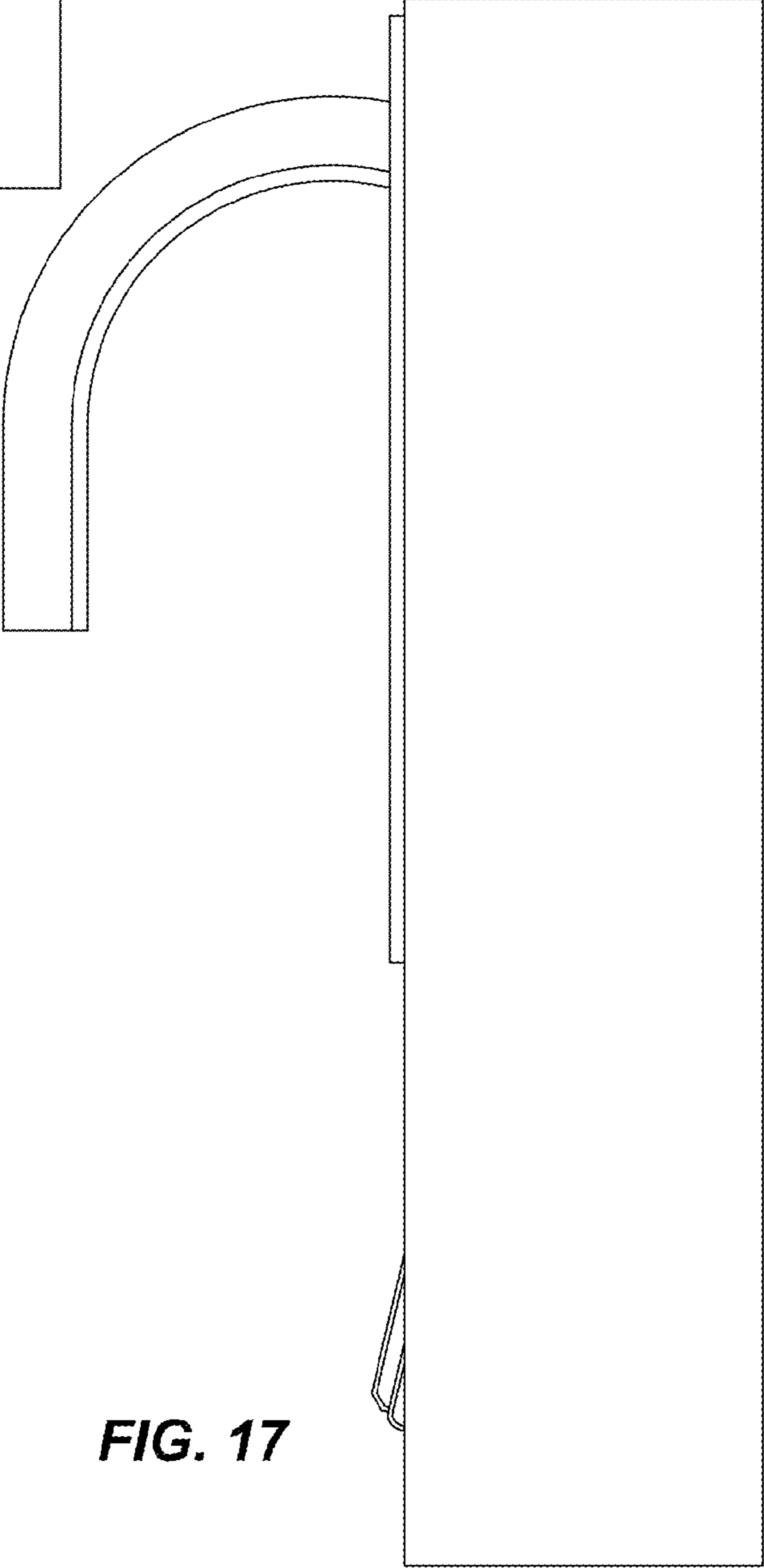


FIG. 17

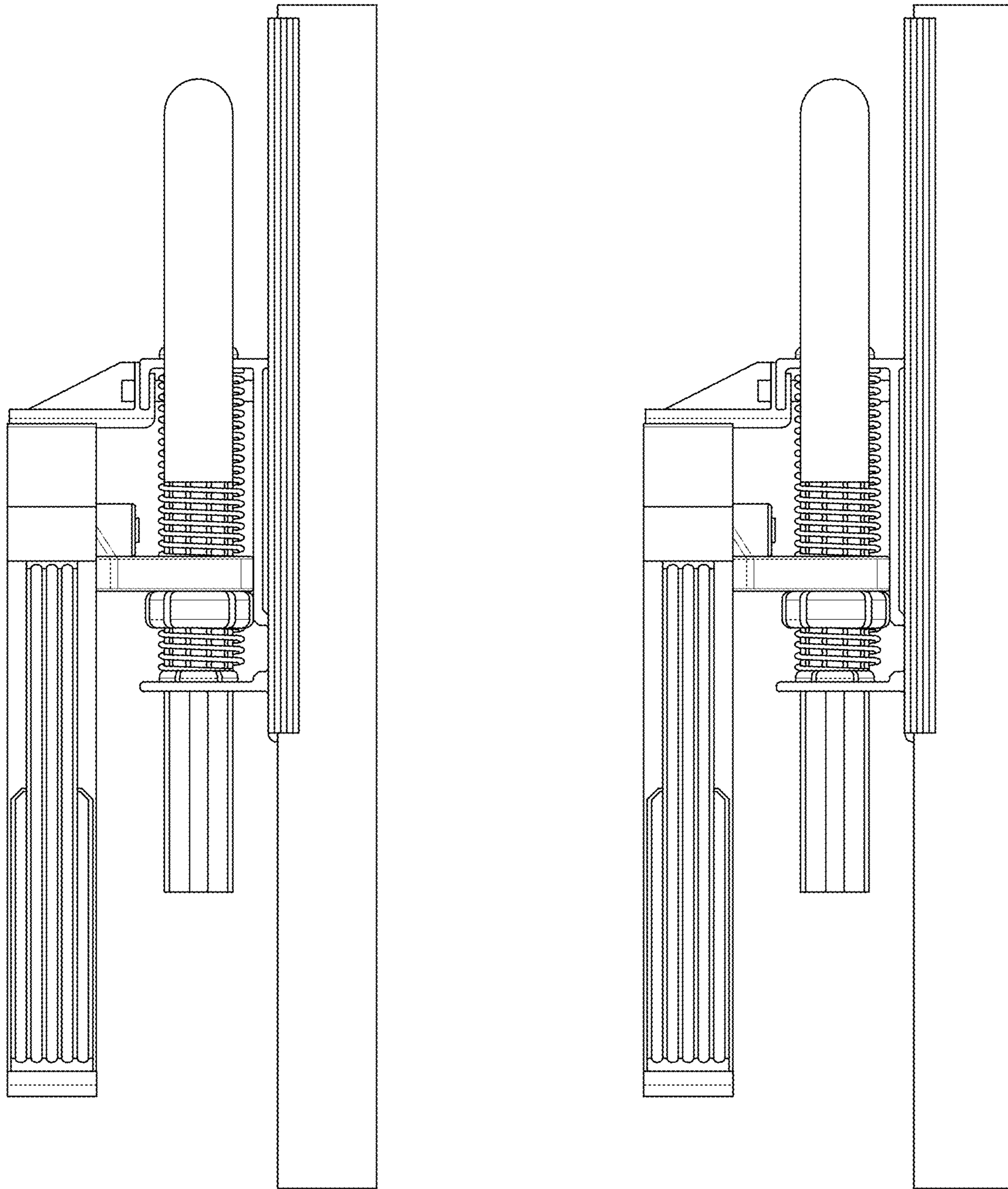


FIG. 18

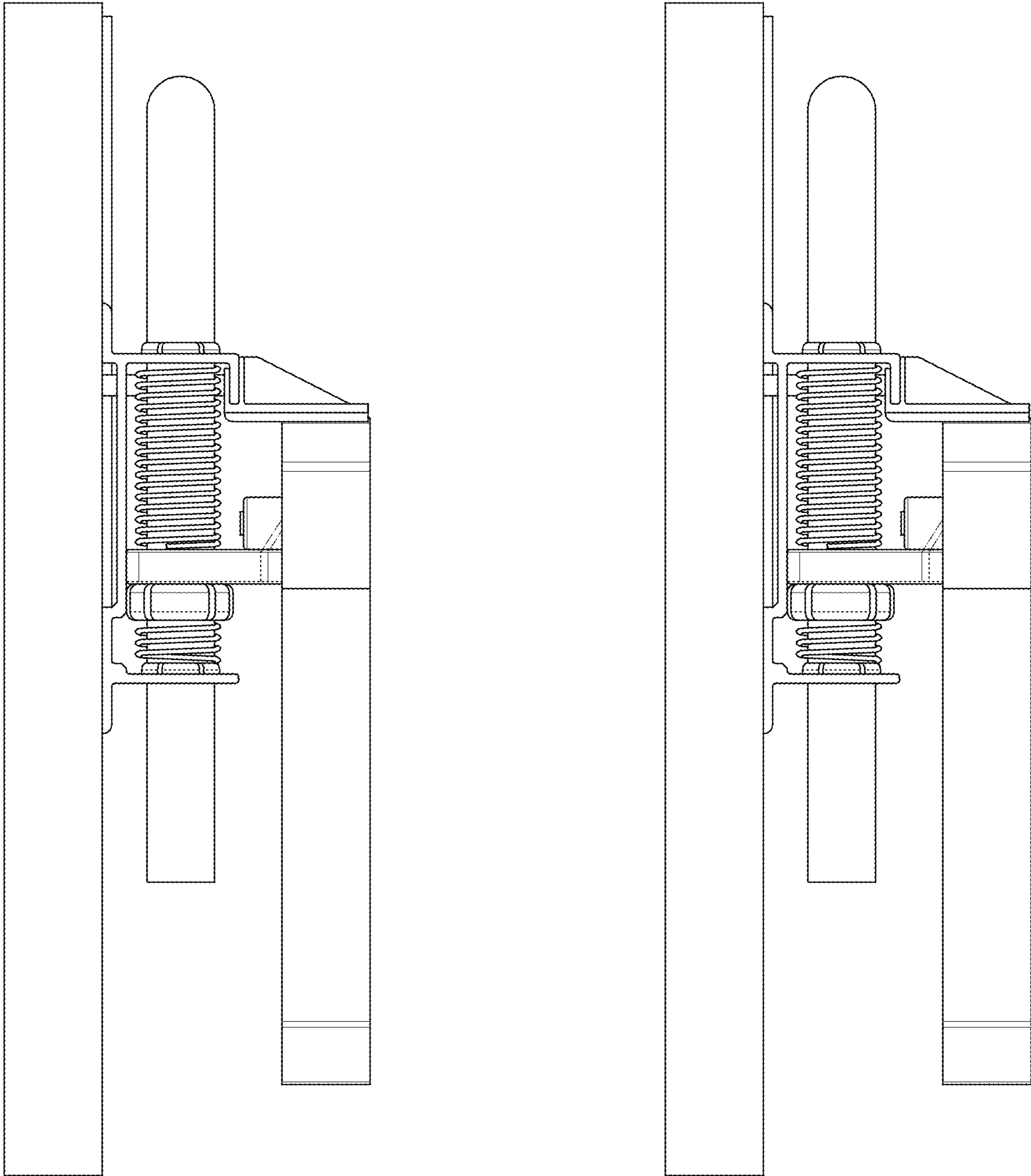


FIG. 19

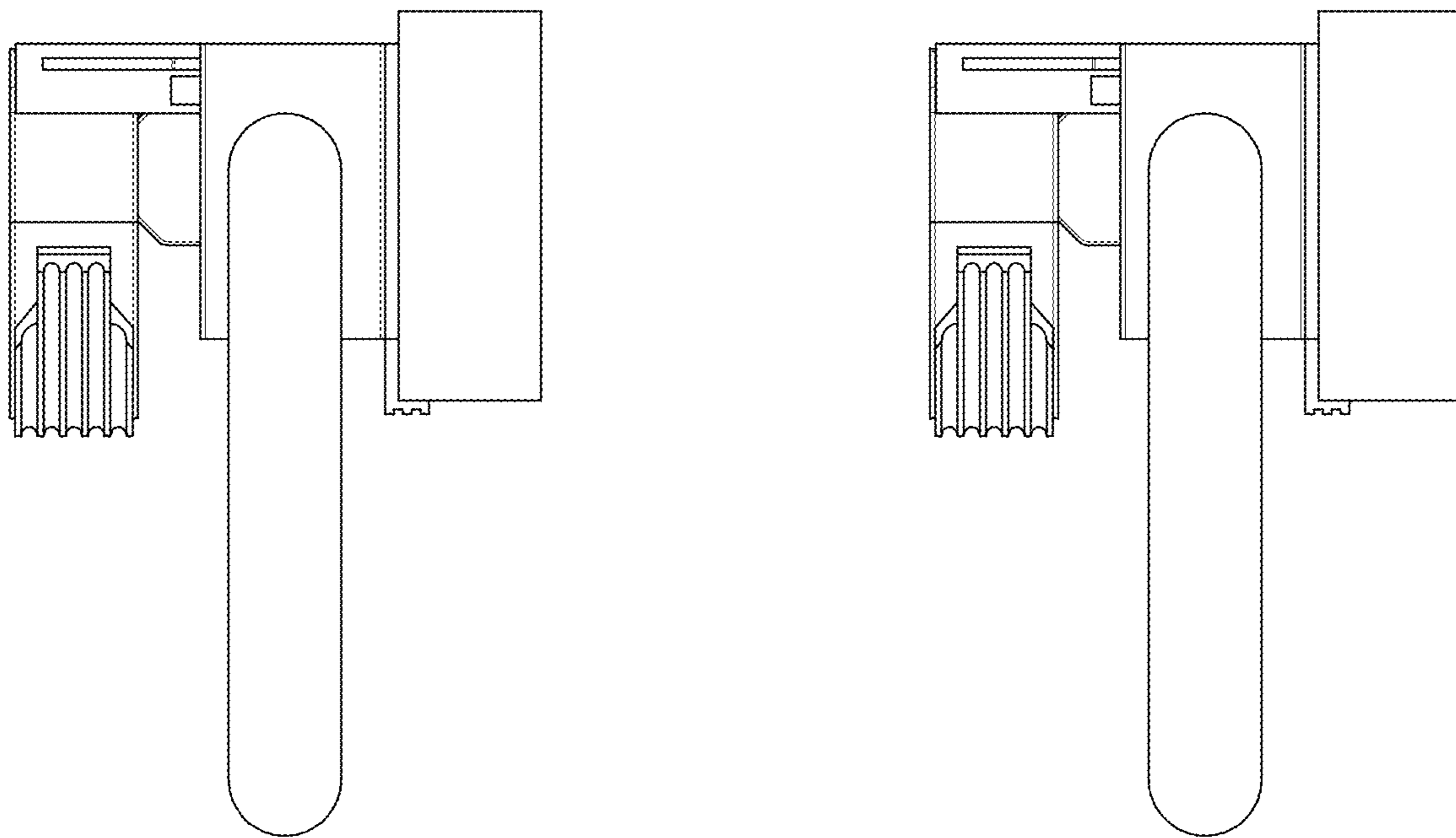


FIG. 20

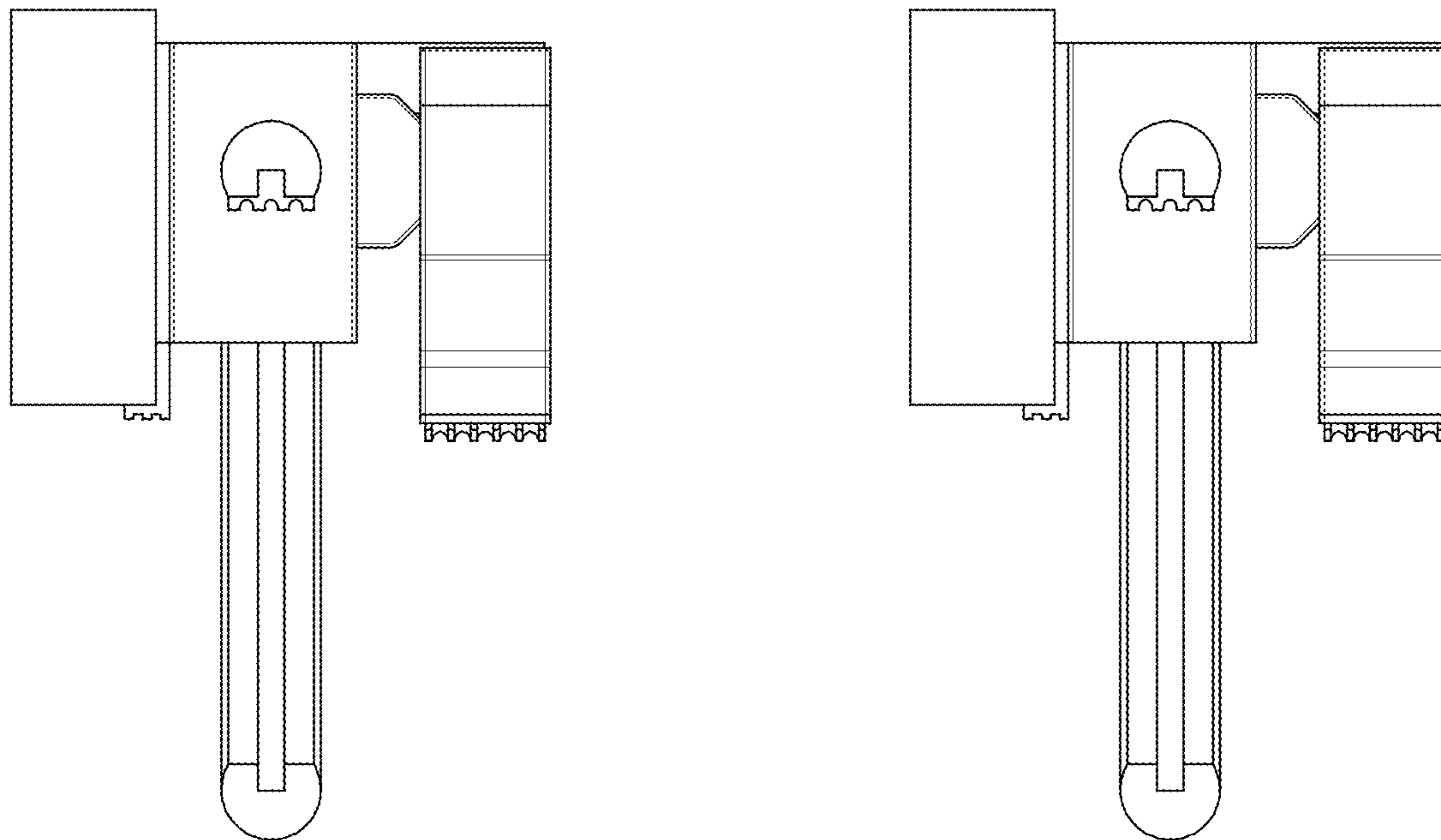


FIG. 21

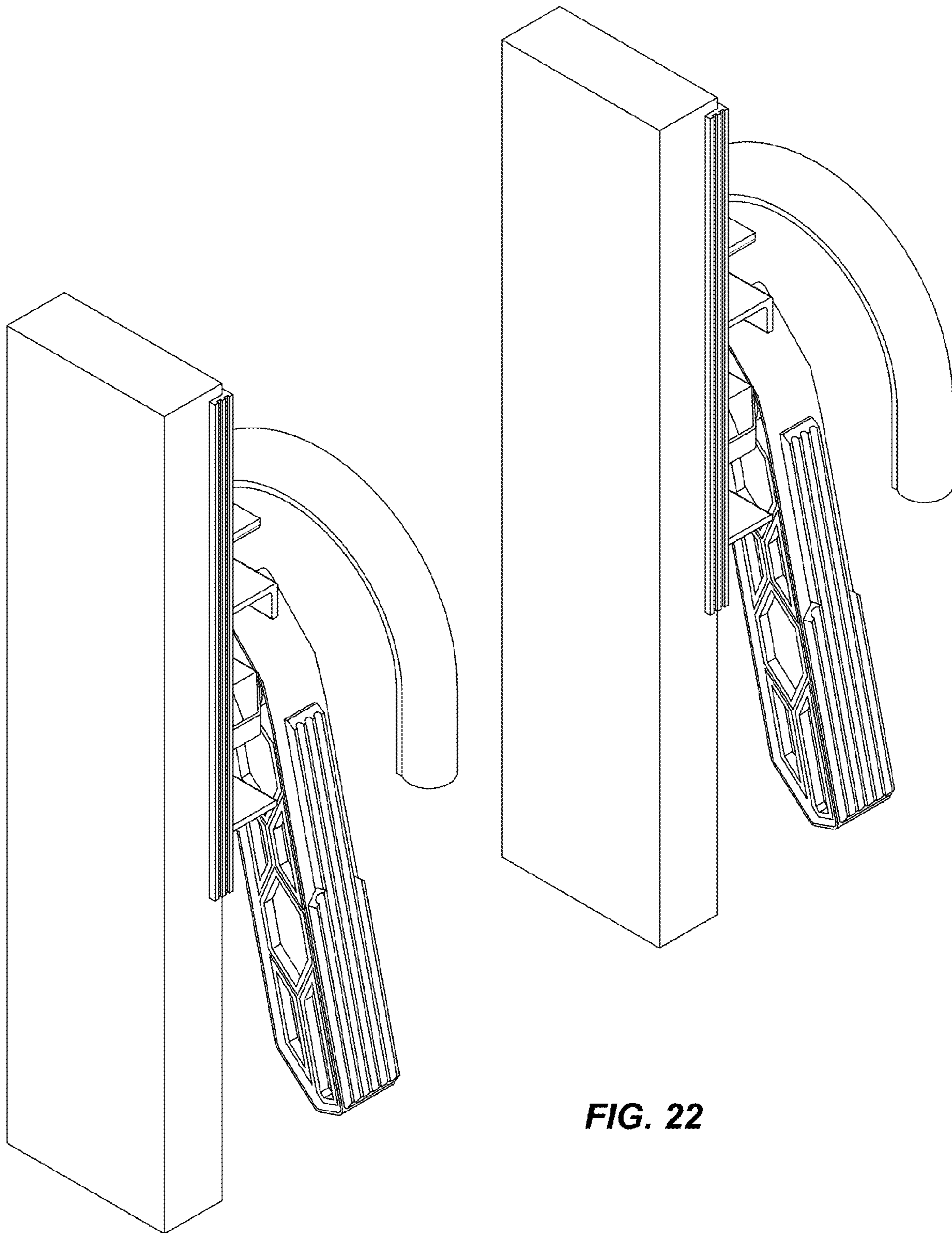


FIG. 22

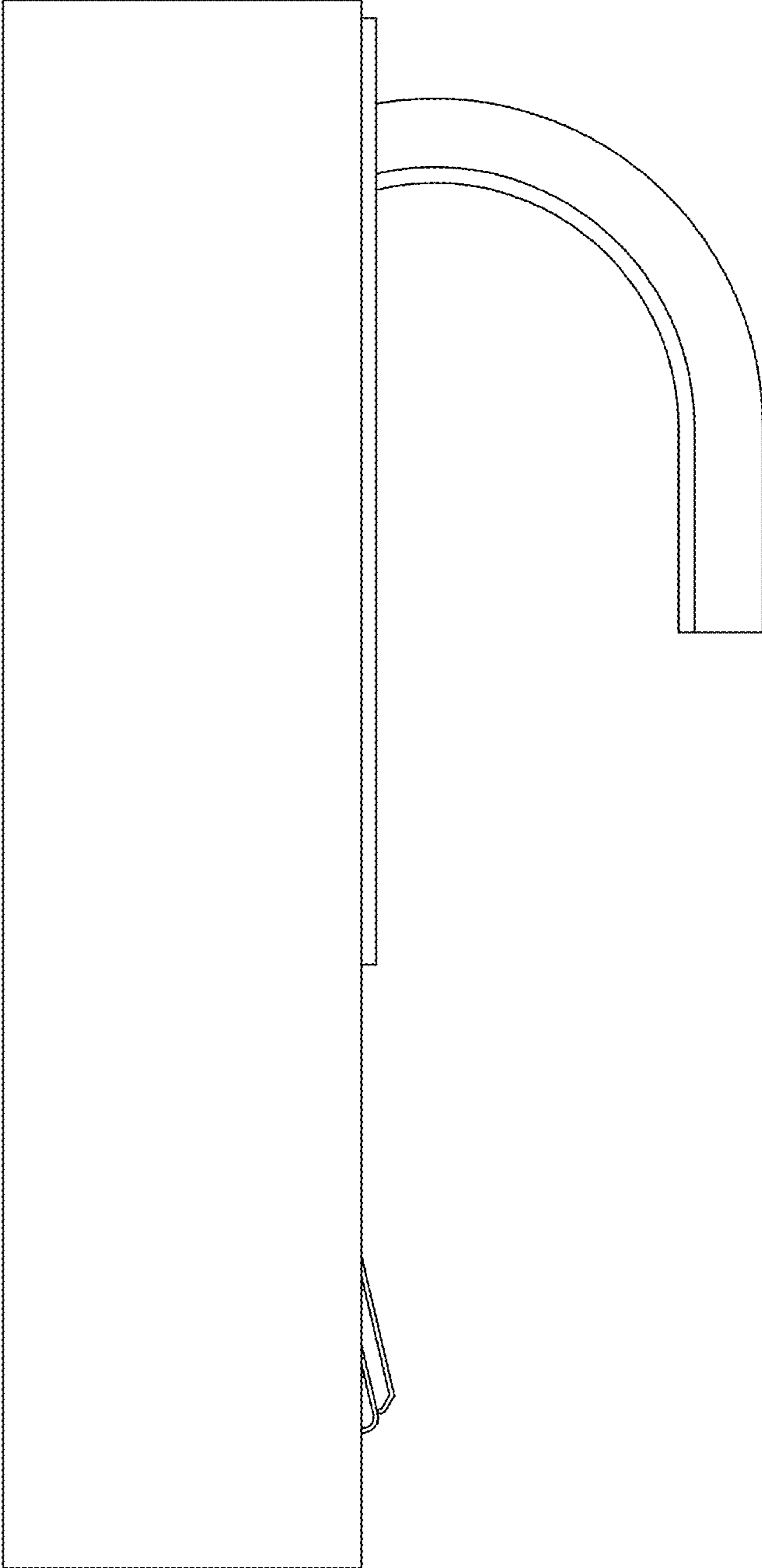


FIG. 23

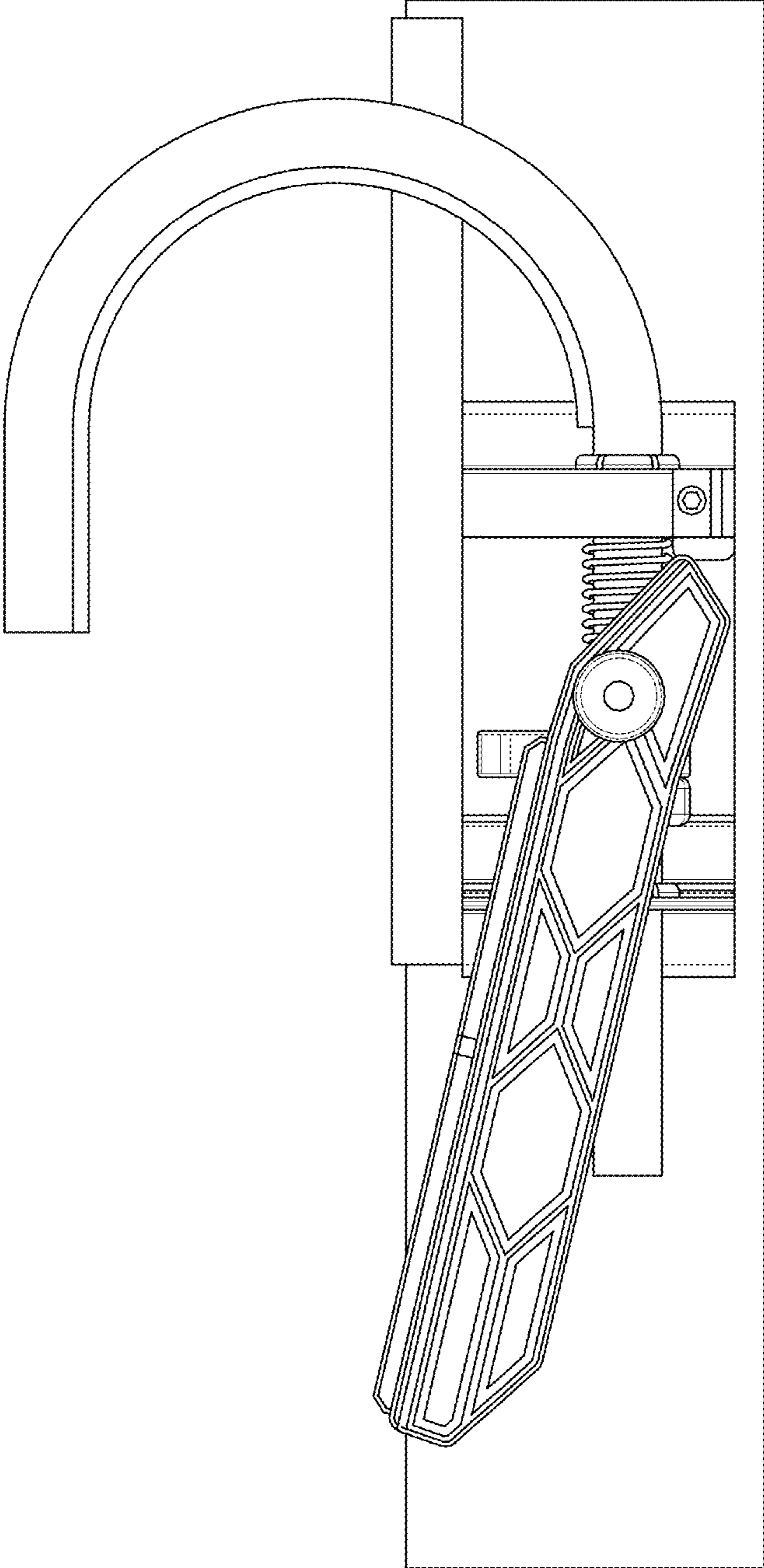


FIG. 24

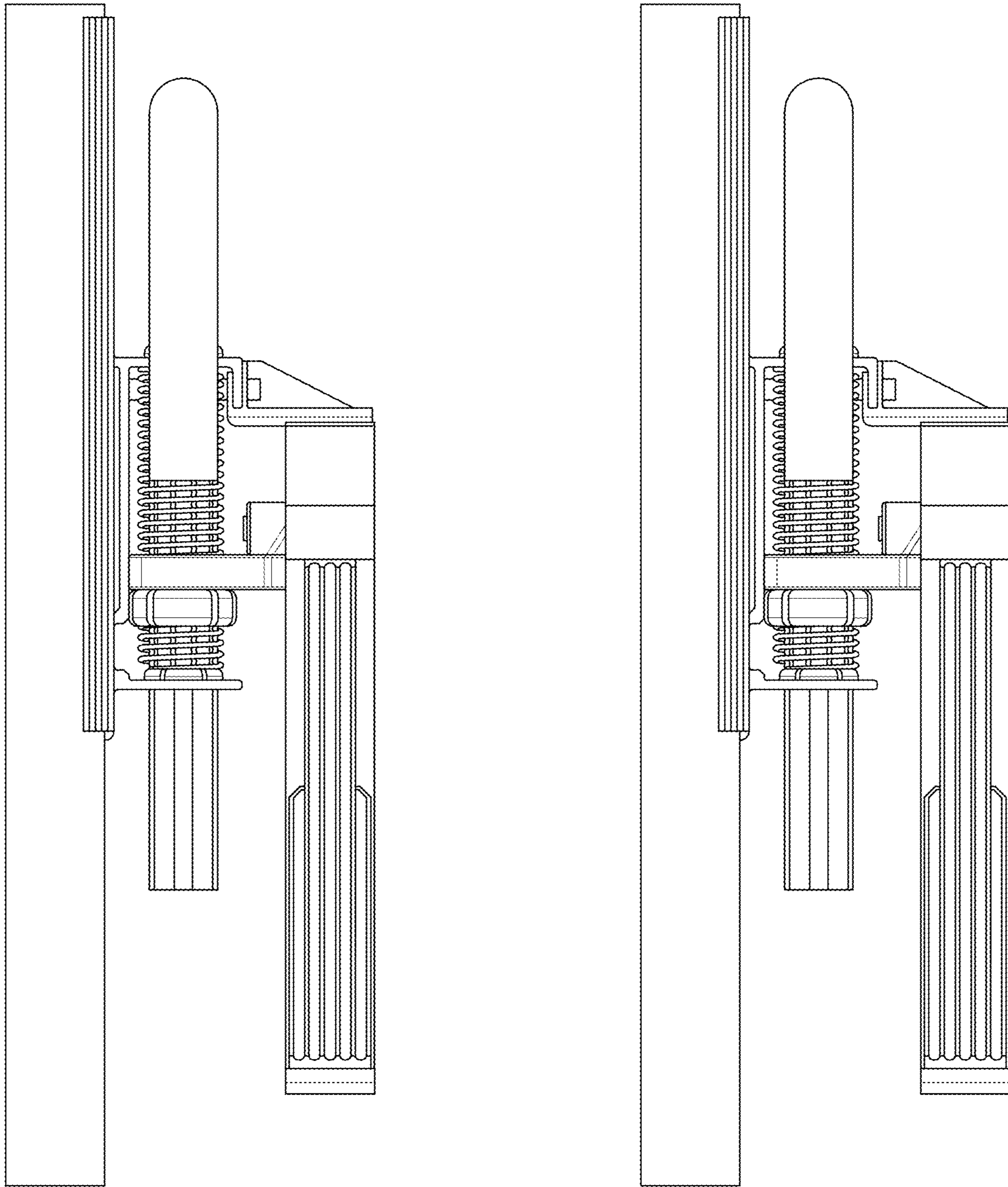


FIG. 25

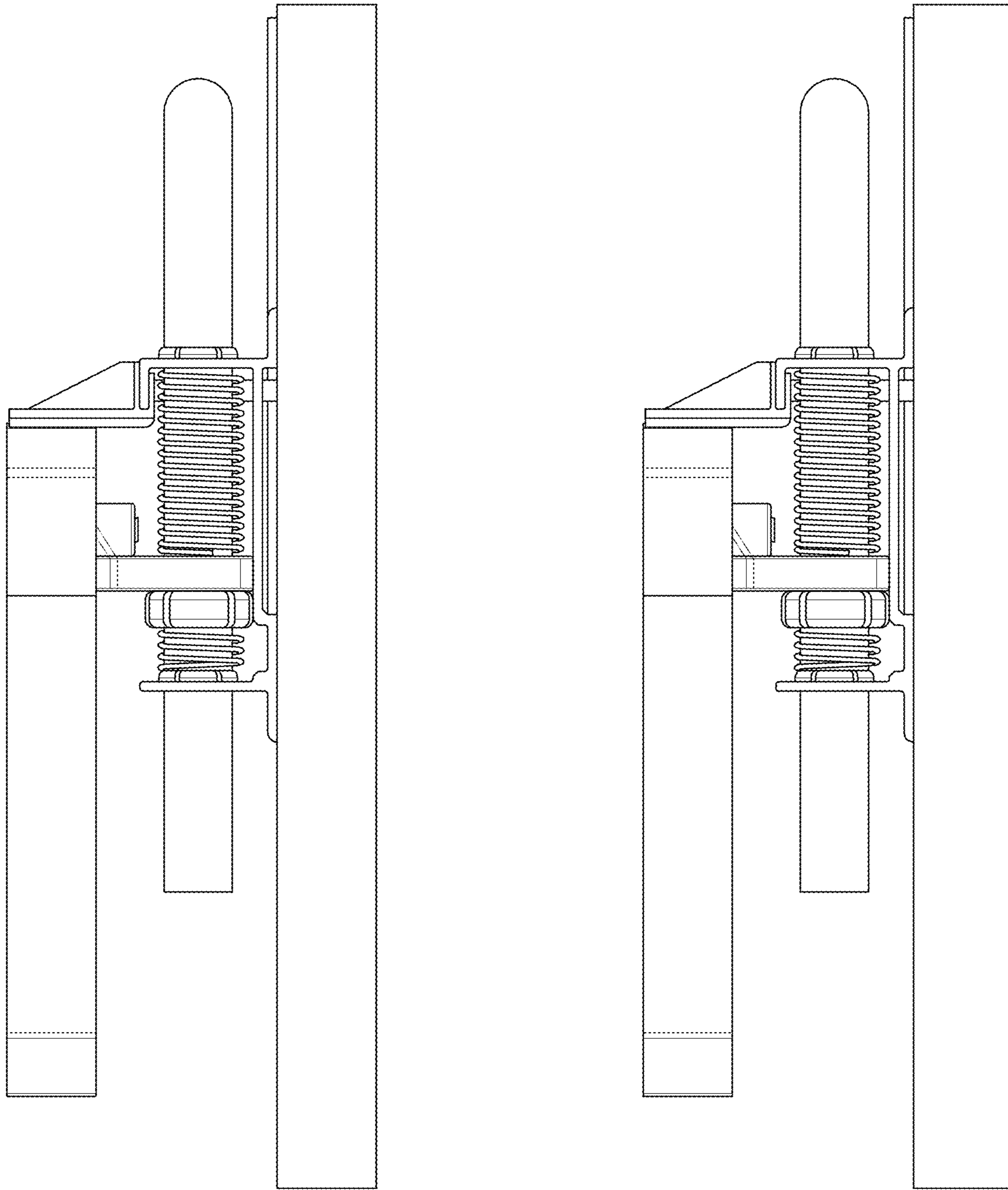


FIG. 26

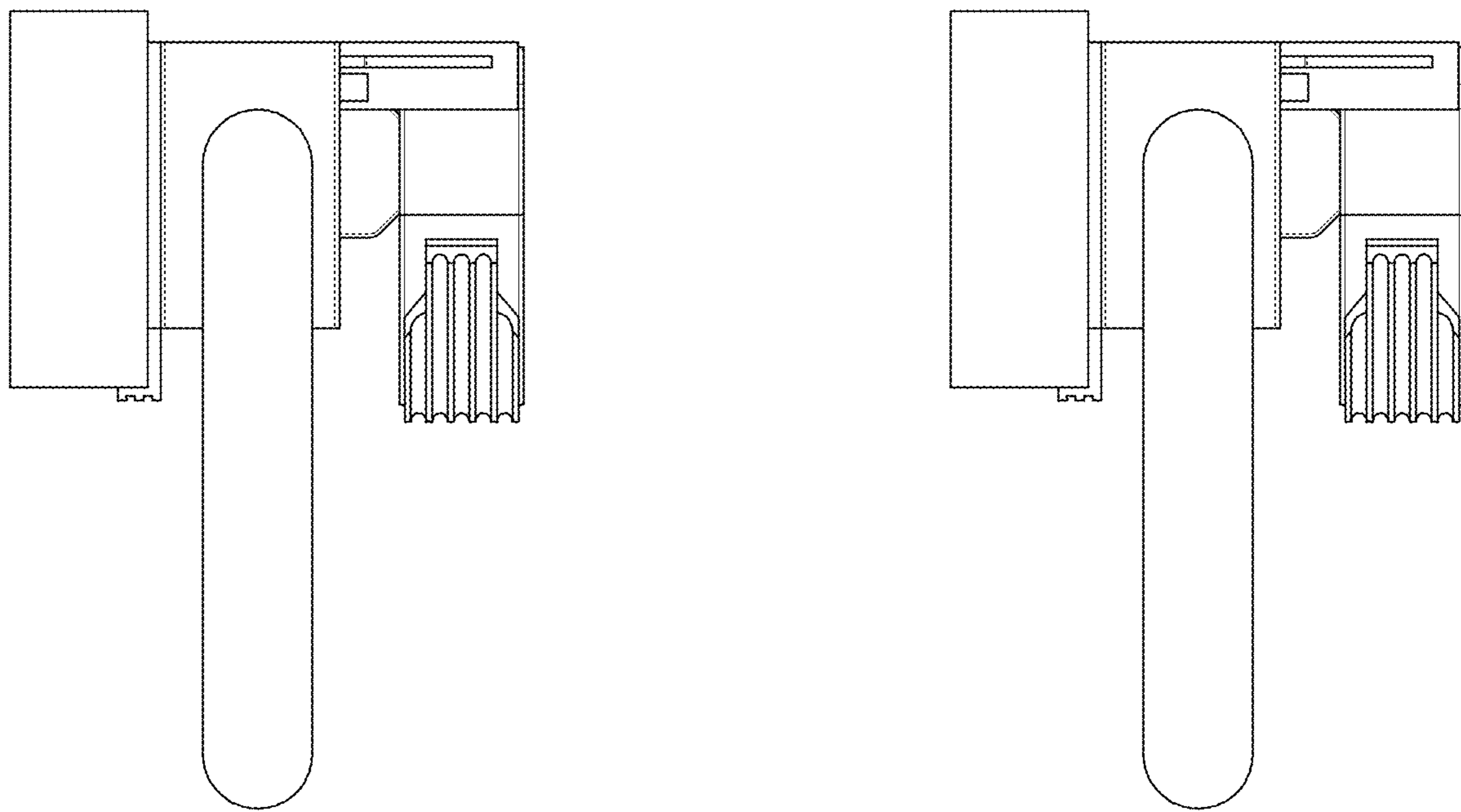


FIG. 27

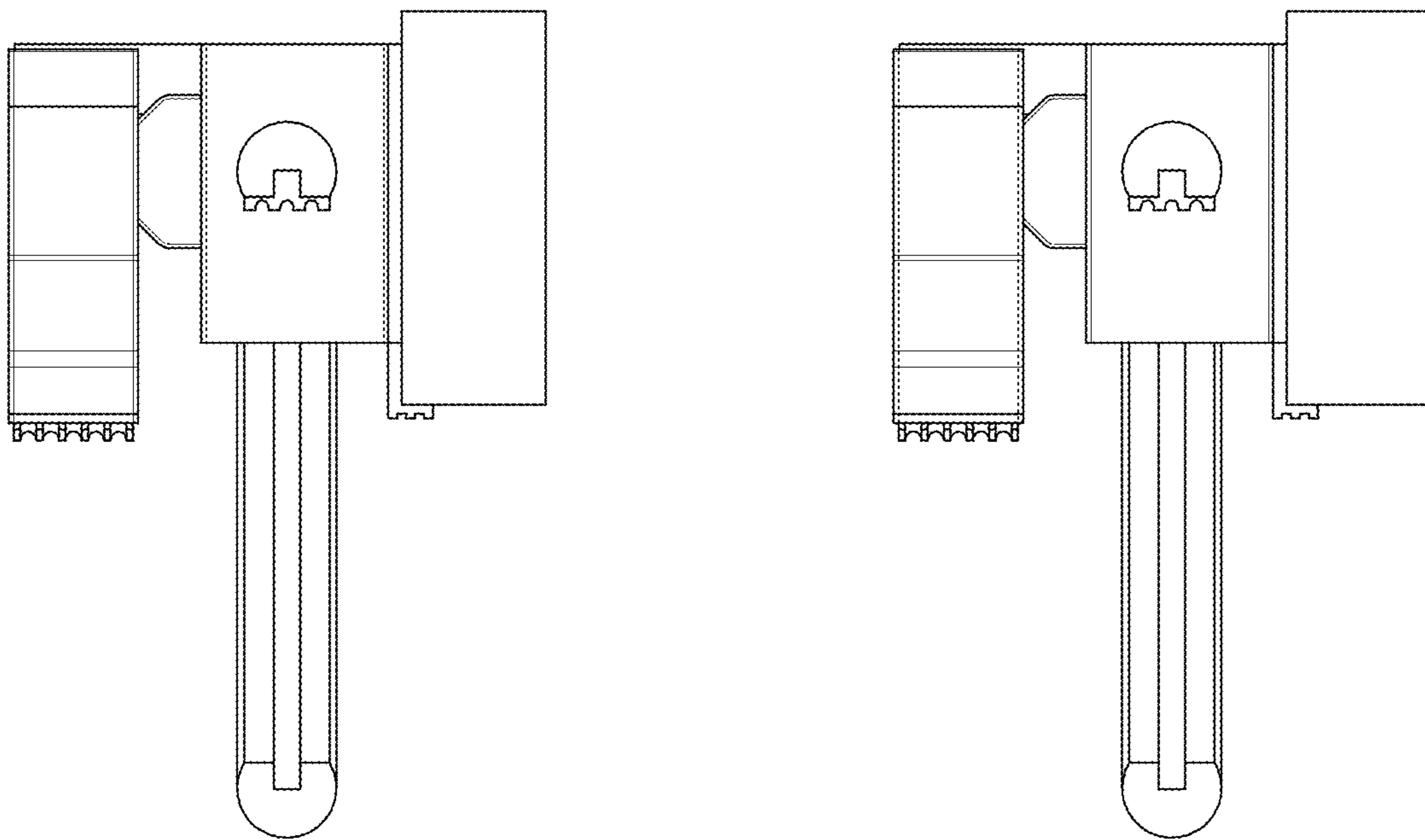


FIG. 28