



US00D956533S

(12) **United States Design Patent** (10) **Patent No.:** **US D956,533 S**  
**Sokoly** (45) **Date of Patent:** **\*\* Jul. 5, 2022**

(54) **GEAR HANGER**

(71) Applicant: **Wayne Sokoly**, Park Ridge, NJ (US)

(72) Inventor: **Wayne Sokoly**, Park Ridge, NJ (US)

(\*\*) Term: **15 Years**

(21) Appl. No.: **29/751,110**

(22) Filed: **Sep. 18, 2020**

(51) **LOC (13) Cl.** ..... **08-11**

(52) **U.S. Cl.**

USPC ..... **D8/371**

(58) **Field of Classification Search**

USPC ..... D8/370–373, 367, 365, 349, 323, 387,  
D8/382, 356; D11/202, 206–207, 212,  
D11/231; D22/199, 125–126, 129;  
D6/323

CPC .... A47F 5/0823; A47F 5/0853; A47F 5/0869;  
A47F 5/0876; A47F 5/0006; A47F  
5/0068; A47F 5/0807; A47F 2005/0012;  
A47F 5/00; A47F 5/02; A47F 5/0815;  
A47F 5/0846; A47F 5/0884; A47F  
7/0064; A47F 7/02; A47F 7/148; A47H  
13/04; A47H 1/03; A47H 1/14; A47H  
1/06; A47H 1/08; A47H 1/122; A47H  
13/00; A47H 13/01; A47H 13/02; A47H  
13/06; A47H 15/02; A47H 2001/0205;  
A47H 2001/042; A47H 2001/045

See application file for complete search history.

(56) **References Cited**

**U.S. PATENT DOCUMENTS**

D347,379 S \* 5/1994 Alt ..... D8/367  
D540,659 S \* 4/2007 Schmidt ..... D8/367  
7,972,100 B2 \* 7/2011 Horvath ..... F16B 45/00  
D8/367  
D653,065 S \* 1/2012 Dieron ..... D6/514  
D779,312 S \* 2/2017 Stanley ..... D8/373  
D779,928 S \* 2/2017 Popov ..... D8/373

D802,402 S \* 11/2017 Hintze ..... D8/367  
D809,354 S \* 2/2018 Richer ..... D8/14  
D809,905 S \* 2/2018 Gunderson ..... D8/371  
D847,620 S \* 5/2019 Umholtz ..... D8/372  
D858,261 S \* 9/2019 Gong ..... D8/367  
D860,762 S \* 9/2019 Gibson ..... D8/354  
D869,942 S \* 12/2019 Belgiovine ..... D8/373  
D870,539 S \* 12/2019 Lu ..... D8/373  
D872,567 S \* 1/2020 Bond ..... D8/373  
D878,187 S \* 3/2020 Koerth ..... D8/373  
D878,188 S \* 3/2020 Koerth ..... D8/373

(Continued)

**OTHER PUBLICATIONS**

Bow Hanger Mobile Hunter Bracket Only—Big Whitetail Dreams LLC, Date Visited: Feb. 11, 2022, Big White Tail Dreams, Date Available: Feb. 11, 2022, <https://www.bigwhitetaildreams.com/products/mobile-hunter-bracket/> (Year: 2022).\*

(Continued)

*Primary Examiner* — Karen S Acker  
*Assistant Examiner* — Elizabeth S Ko

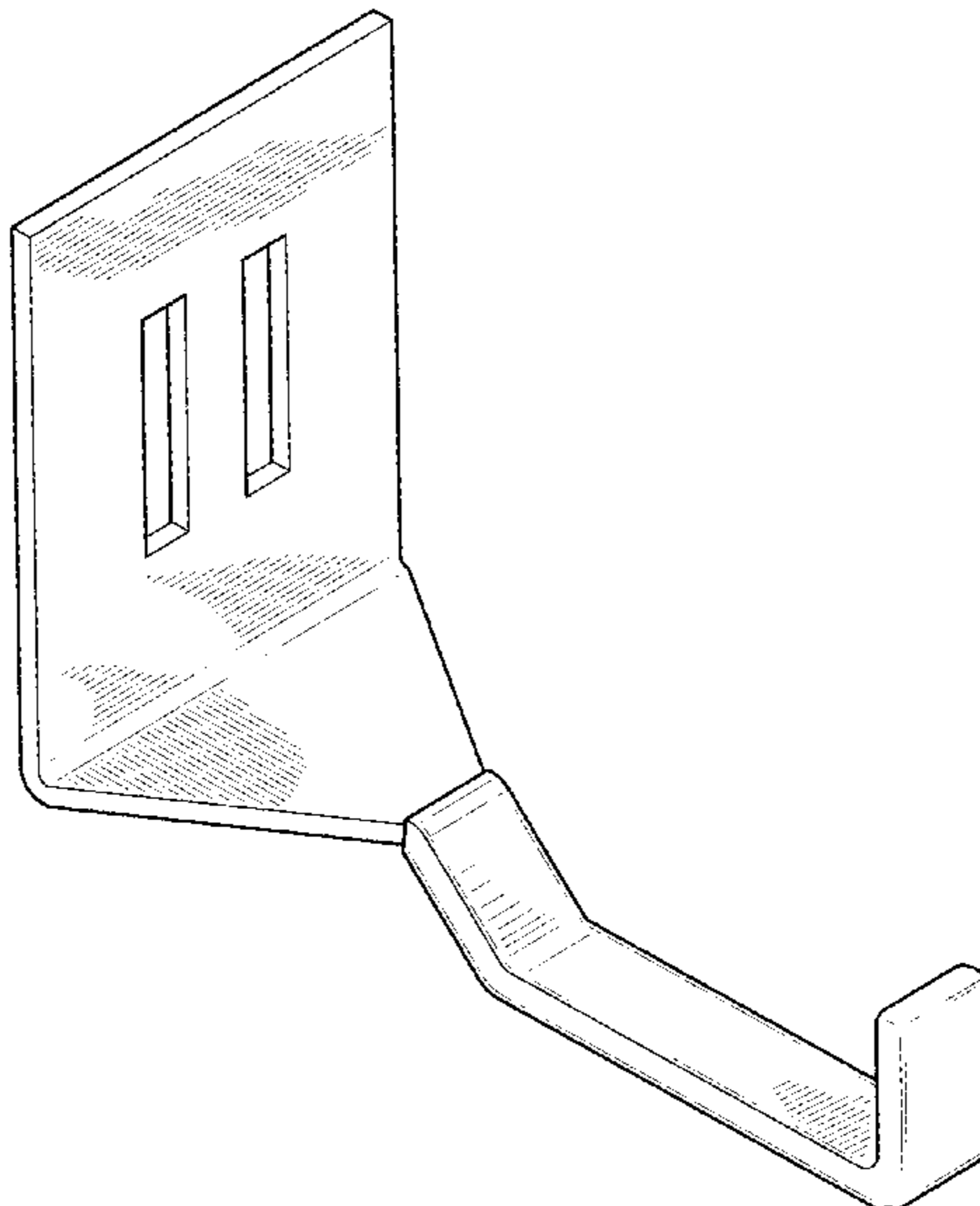
(57) **CLAIM**

The ornamental design for a gear hanger, as shown and described.

**DESCRIPTION**

FIG. 1 is a three-quarters perspective view, showing top, left and front aspects of the gear hanger;  
FIG. 2 is a top orthographic view;  
FIG. 3 is a right side orthographic view;  
FIG. 4 is a bottom orthographic view;  
FIG. 5 is a front orthographic view;  
FIG. 6 is a rear orthographic view; and,  
FIG. 7 is a three-quarters perspective view of the gear hanger shown in a position of use.  
The broken lines in the drawings depict environmental subject matter that forms no part of the claimed design.

**1 Claim, 4 Drawing Sheets**



(56)

**References Cited**

## U.S. PATENT DOCUMENTS

D900,594 S \* 11/2020 Shaffer ..... D8/354  
D902,020 S \* 11/2020 Ryan ..... D8/381  
D907,990 S \* 1/2021 Yu ..... D8/371  
D922,861 S \* 6/2021 Lin ..... D8/367  
D928,597 S \* 8/2021 Nucci ..... D8/373  
D935,204 S \* 11/2021 Cowlin ..... D8/372  
2010/0213346 A1 \* 8/2010 Chen ..... B25H 3/04  
248/693  
2010/0264102 A1 \* 10/2010 Barkdoll ..... A47F 5/0823  
211/106.01  
2012/0187060 A1 \* 7/2012 Candos ..... A47F 5/0838  
29/428

## OTHER PUBLICATIONS

Fleximounts Black Steel Overhead Garage Rack Hooks (2-Pack) GRH3B—The Home Depot, Date Visited: Feb. 11, 2022, Home Depot, Date Available: Oct. 7, 2020, <https://www.homedepot.com/p/FLEXIMOUNTS-Black-Steel-Overhead-Garage-Rack-Hooks-2-Pack-GRH3B/313962100> (Year: 2020).\*

Uxcell Stainless Steel L Shaped Wall, Date Visited: Feb. 11, 2022, Amazon, Date Available: Jan. 20, 2016, <https://www.amazon.com/uxcell-Stainless-Shaped-Fixing-Single/dp/B01AUXB9JC> 1/ (Year: 2016).\*

Treestand Gear Hanger, Date Visited: Mar. 9, 2022, Amazon, Date Available: Sep. 13, 2015, <https://www.amazon.com/TREESTAND-Gear-Hanger-Eliminate-Attachment/dp/B015BMTR2S> (Year: 2015).\*

\* cited by examiner

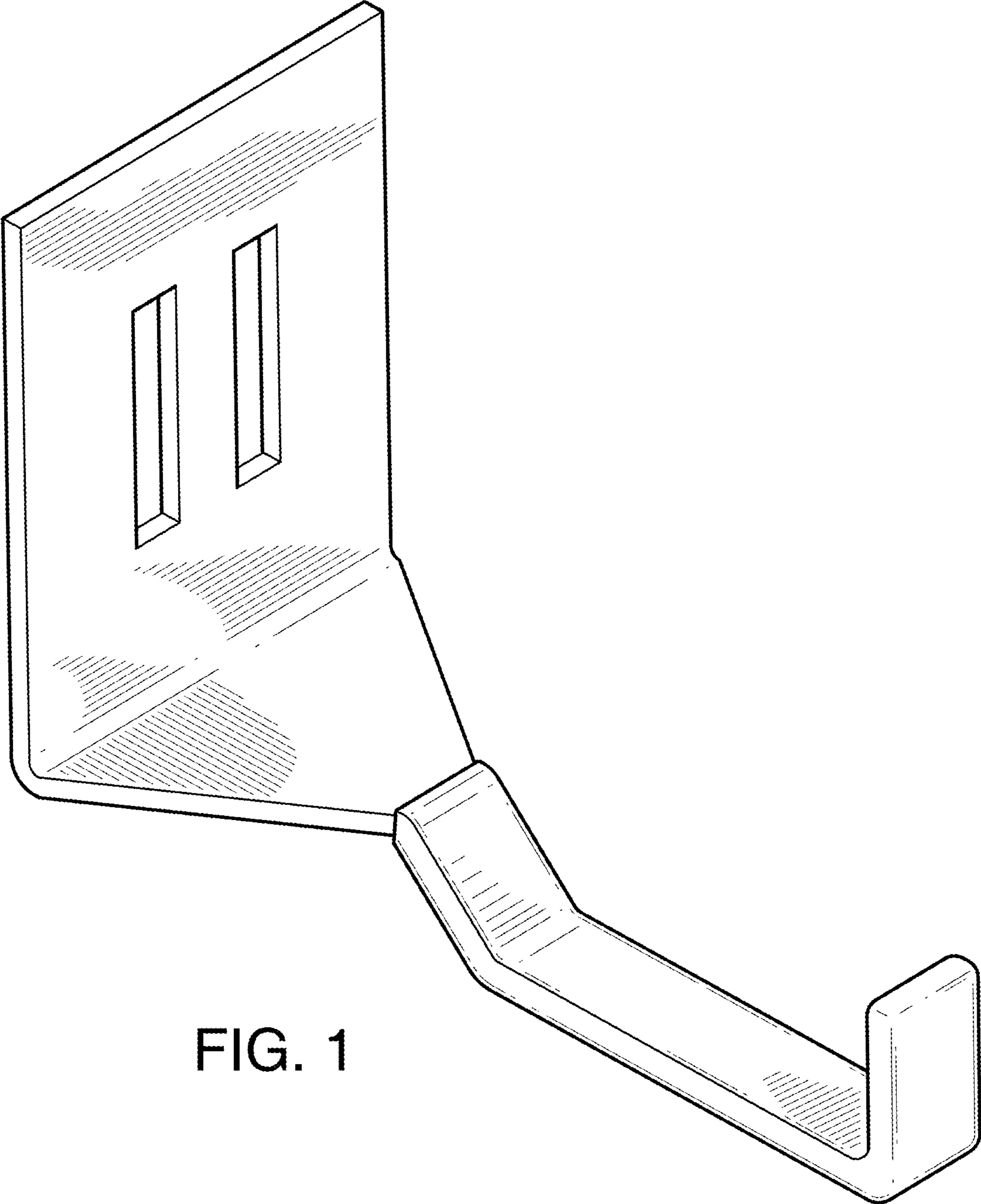


FIG. 1

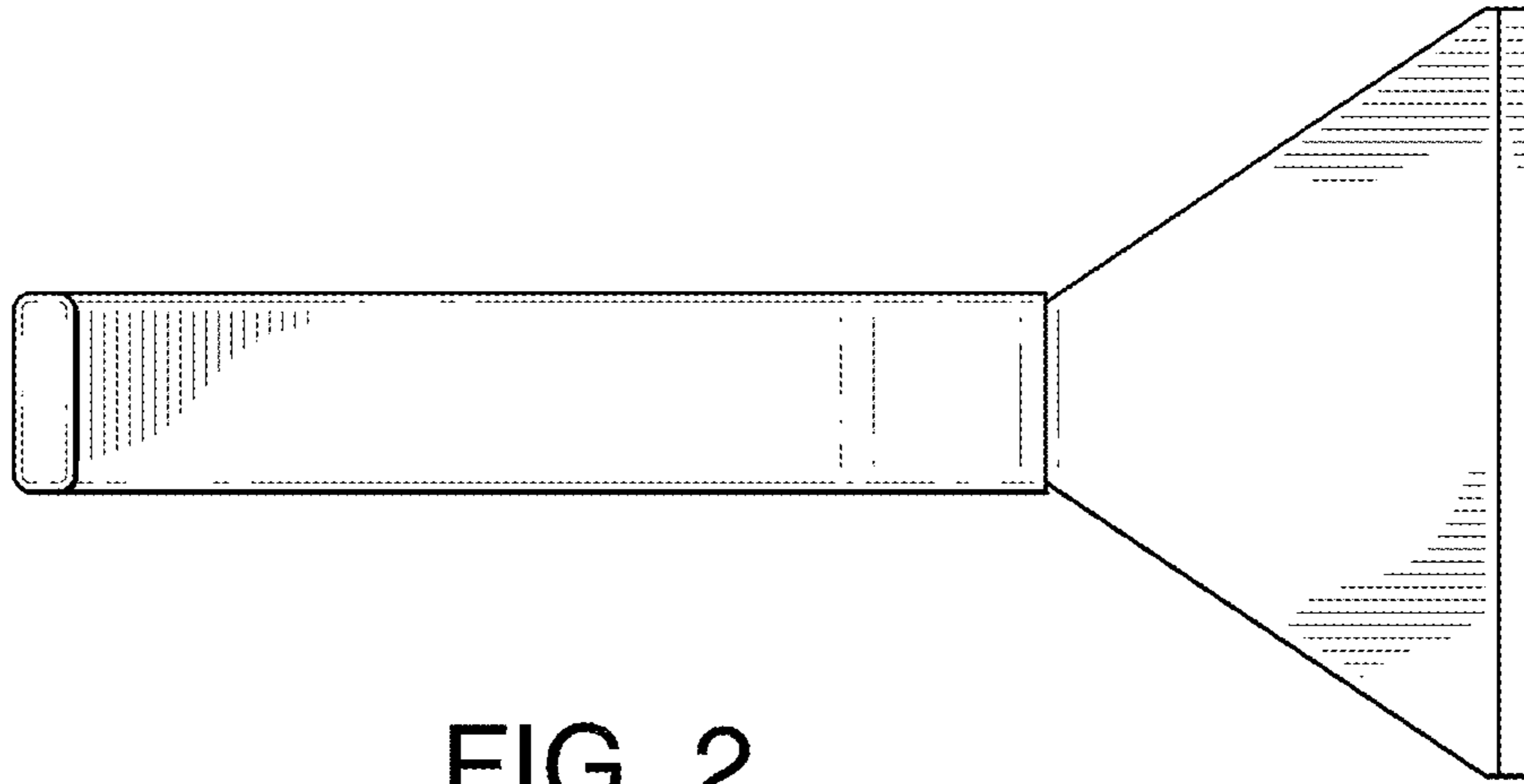


FIG. 2

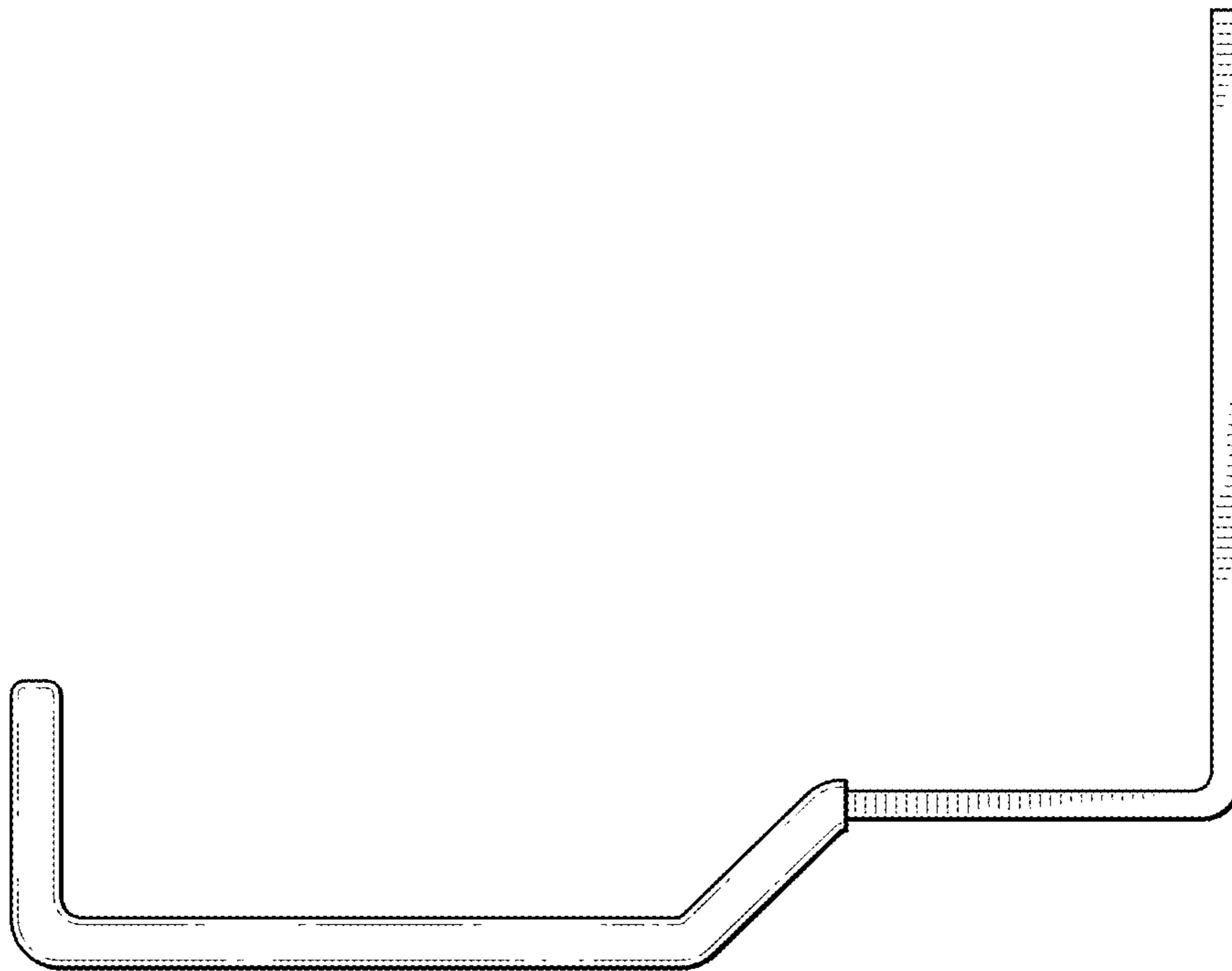


FIG. 3

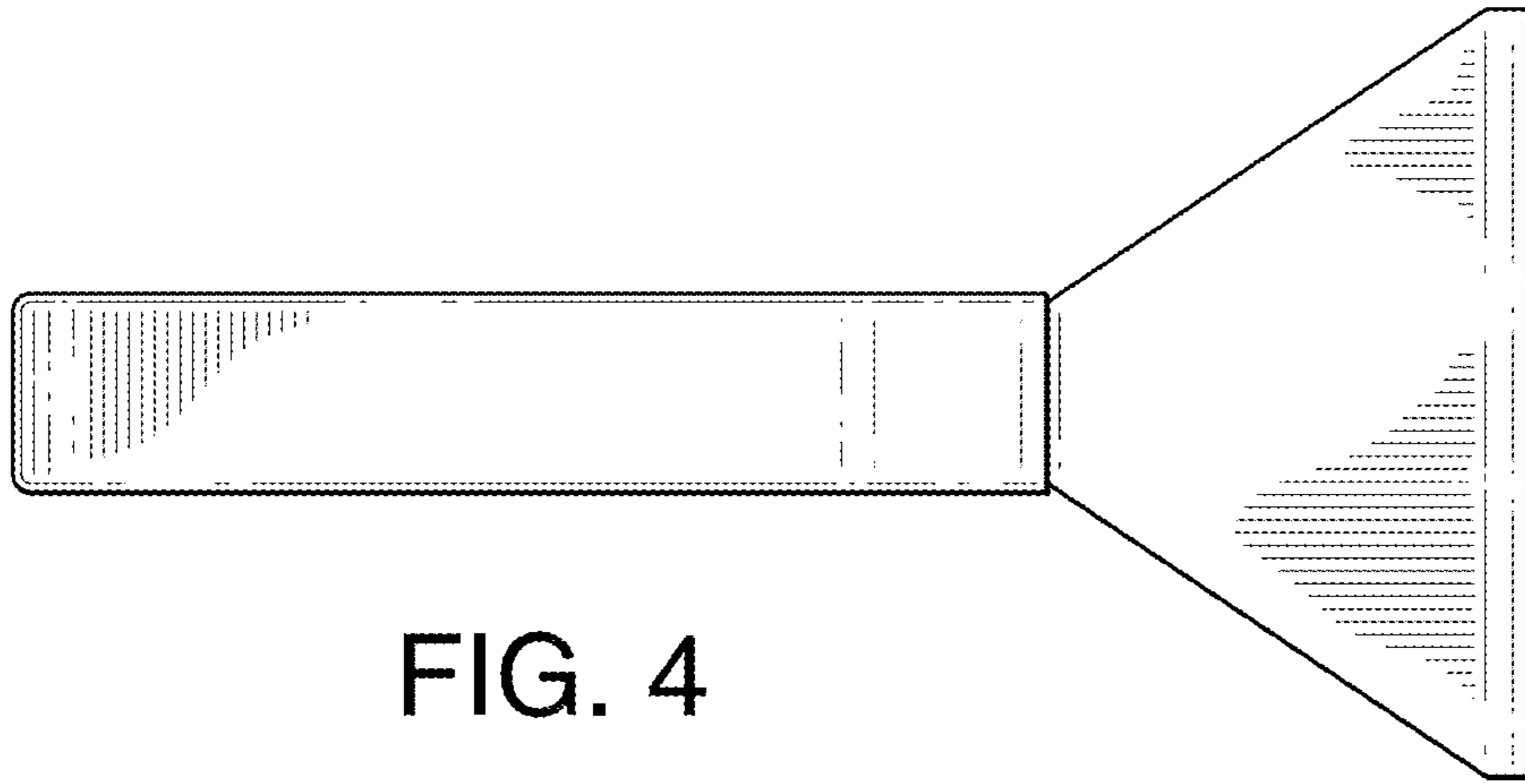


FIG. 4

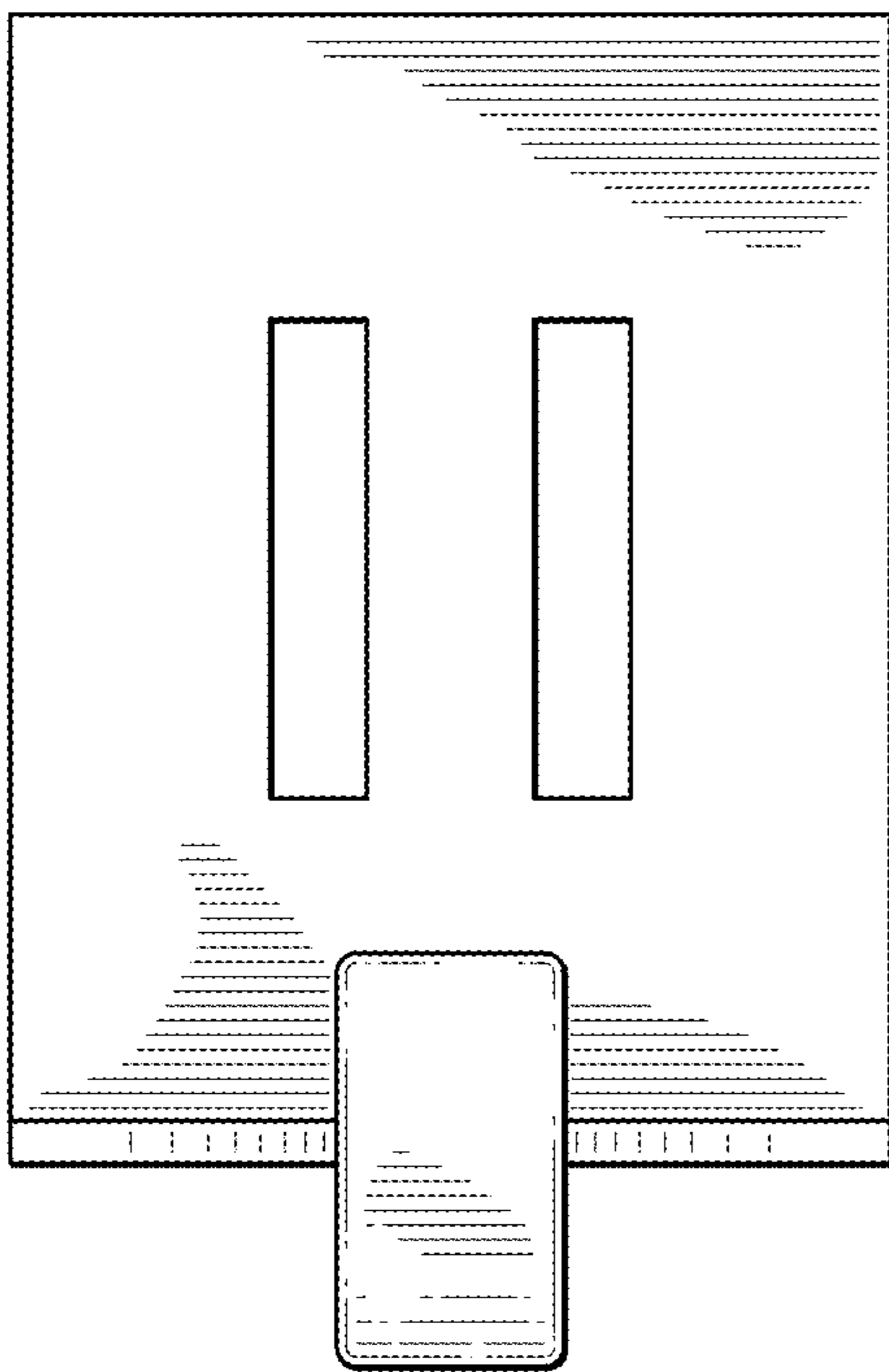


FIG. 5

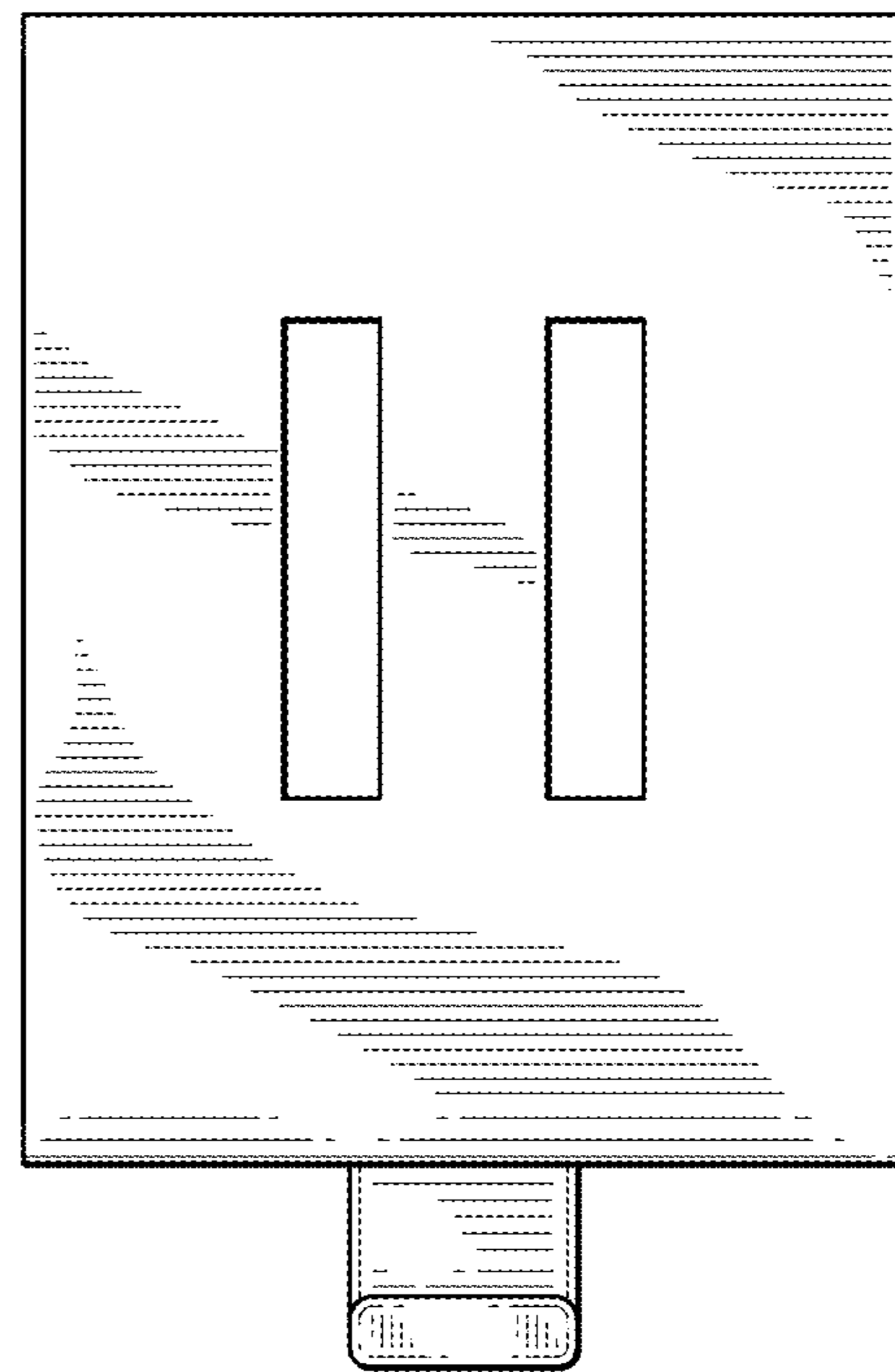


FIG. 6



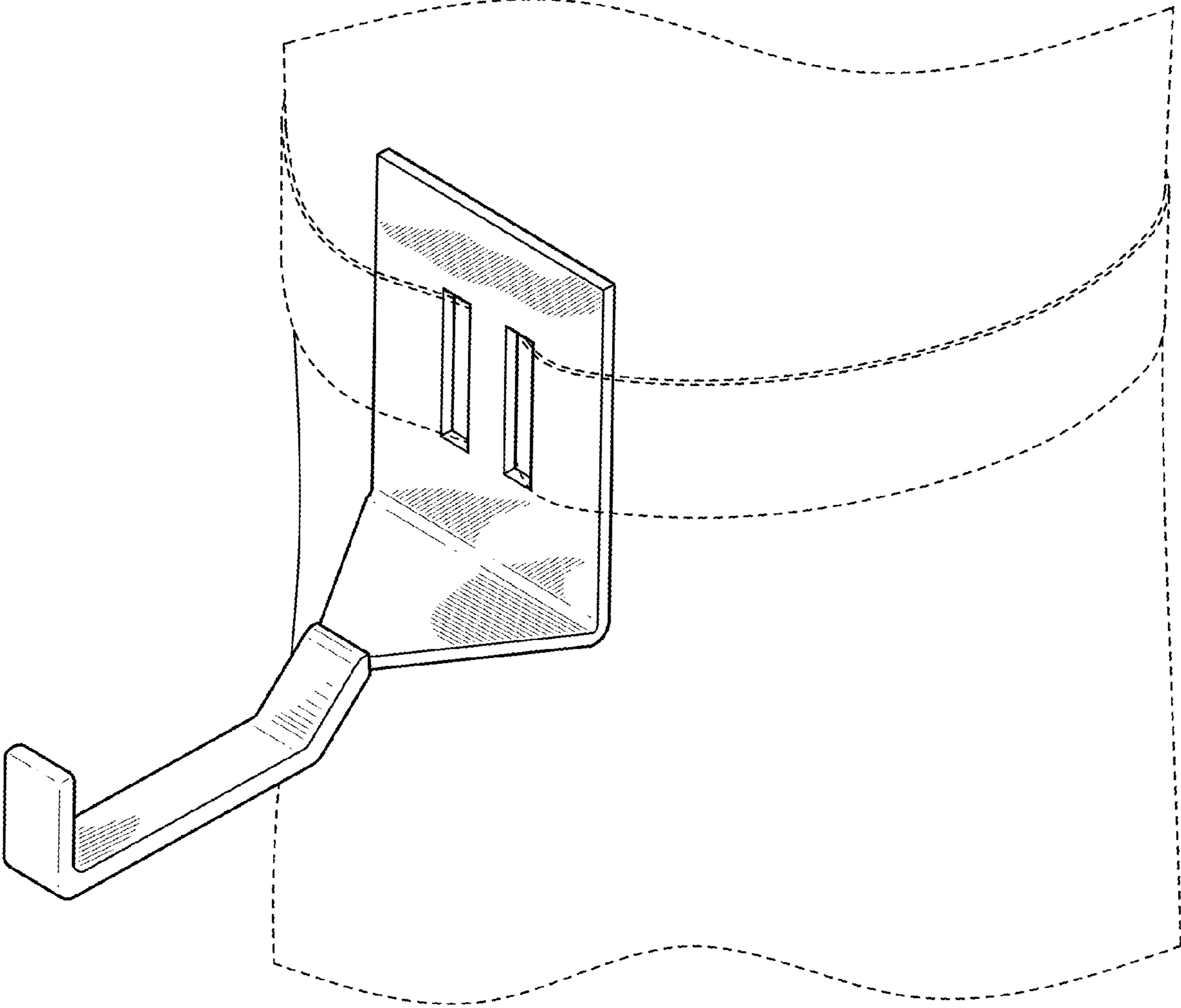


FIG. 7