



US00D956532S

(12) **United States Design Patent**
Kapraun et al.

(10) **Patent No.:** **US D956,532 S**

(45) **Date of Patent:** **** Jul. 5, 2022**

- (54) **BRACKET**
- (71) Applicants: **Matt Kapraun**, Harvard, IL (US);
Phillip Kapraun, Harvard, IL (US)
- (72) Inventors: **Matt Kapraun**, Harvard, IL (US);
Phillip Kapraun, Harvard, IL (US)
- (**) Term: **15 Years**
- (21) Appl. No.: **29/662,433**
- (22) Filed: **Sep. 5, 2018**
- (51) **LOC (13) Cl.** **08-05**
- (52) **U.S. Cl.**
USPC **D8/371**
- (58) **Field of Classification Search**
USPC D8/354, 366, 371, 372, 367, 374, 373,
D8/376, 375, 16, 19, 45, 380, 381, 394,
D8/71; D20/42, 43; D11/164, 132
CPC E04D 1/34; E04D 12/00
See application file for complete search history.

- 1,717,582 A * 6/1929 Riesterer E04D 1/34
52/543
- 4,141,191 A * 2/1979 Aarons E04D 1/29
52/715
- D267,453 S * 1/1983 Kipperman D6/526
- D339,735 S * 9/1993 Brennan D8/354
- D781,683 S * 3/2017 Yi D8/354
- D853,377 S * 7/2019 Crandon D14/253

* cited by examiner

Primary Examiner — Eliza Z Harvey
(74) *Attorney, Agent, or Firm* — Underwood & Associates, LLC

(57) **CLAIM**

We claim the ornamental design for a bracket, as shown and described.

DESCRIPTION

FIG. 1 is a front perspective view of a bracket according to our new design;
FIG. 2 is a top plan view thereof;
FIG. 3 is a bottom plan view thereof;
FIG. 4 is a right-side elevation view thereof;
FIG. 5 is a left-side elevation view thereof;
FIG. 6 is a rear-side elevation view thereof;
FIG. 7 is a front-side elevation view thereof; and,
FIG. 8 is a front perspective view of the bracket fully assembled.

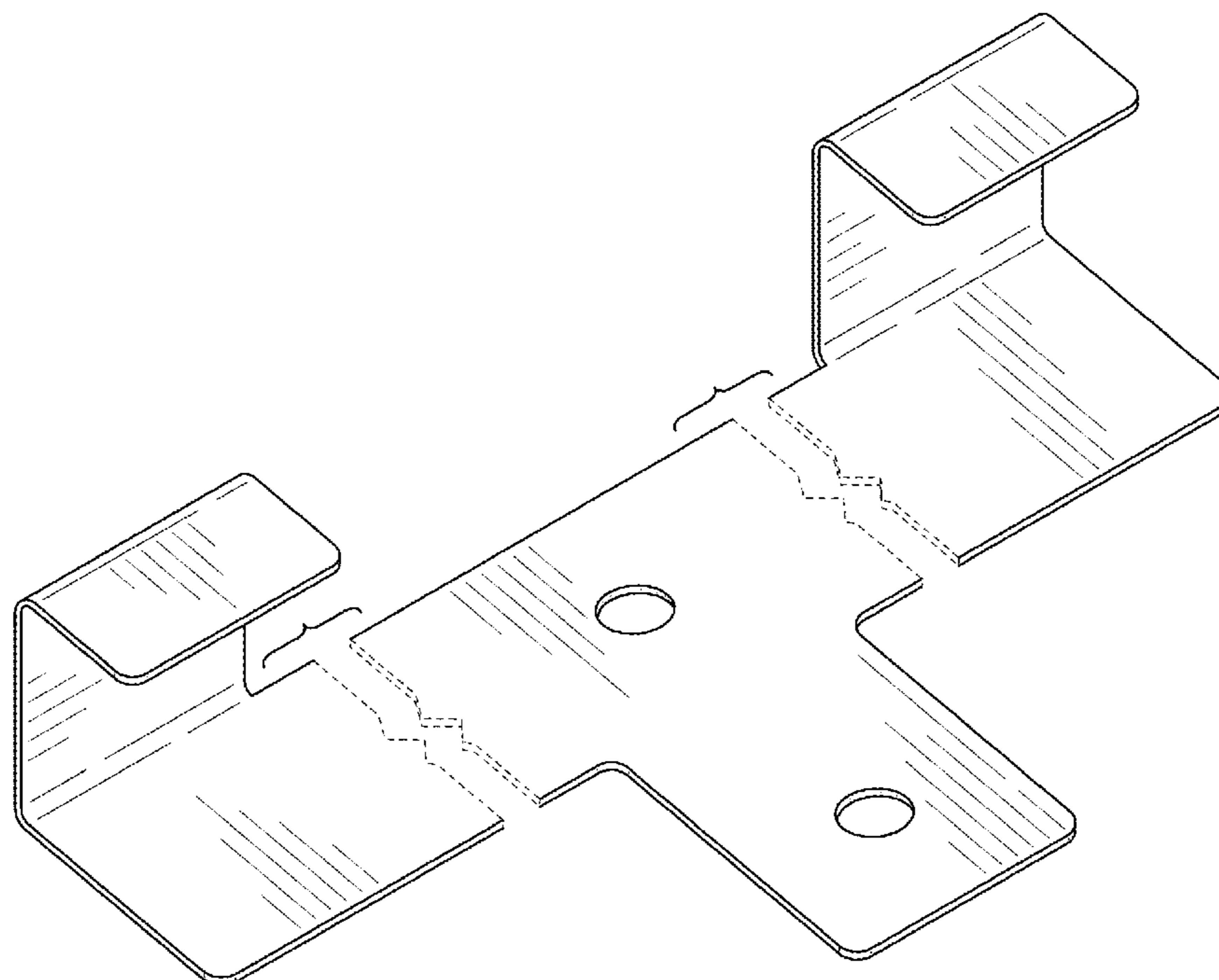
The broken lines depict unclaimed portions of the bracket and form no part of the claimed design. The bracket is shown with a symbolic break in its length. The appearance of any portion of the article between the break lines forms no part of the claimed design.

1 Claim, 5 Drawing Sheets

(56) **References Cited**

U.S. PATENT DOCUMENTS

- 681,641 A * 8/1901 Howard E02D 27/02
52/292
- 1,510,497 A * 10/1924 Keller E04D 1/34
52/547
- 1,520,751 A * 12/1924 Honigbaum E04D 1/34
52/548
- 1,532,421 A * 4/1925 MacInnes E04D 1/29
52/547
- 1,593,408 A * 7/1926 Honigbaum E04D 1/34
52/548
- 1,668,291 A * 5/1928 Topping E04D 1/34
52/546



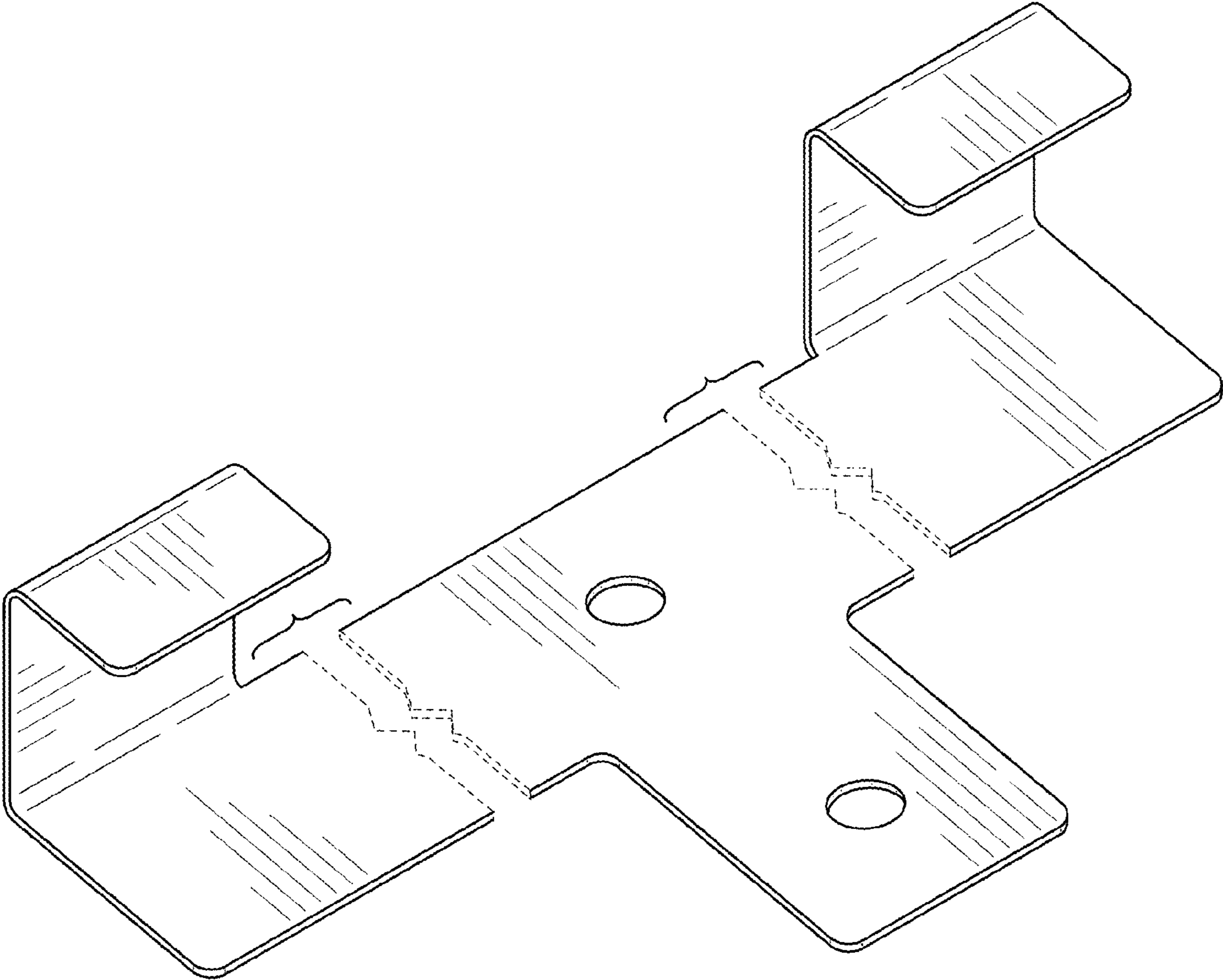


FIG. 1

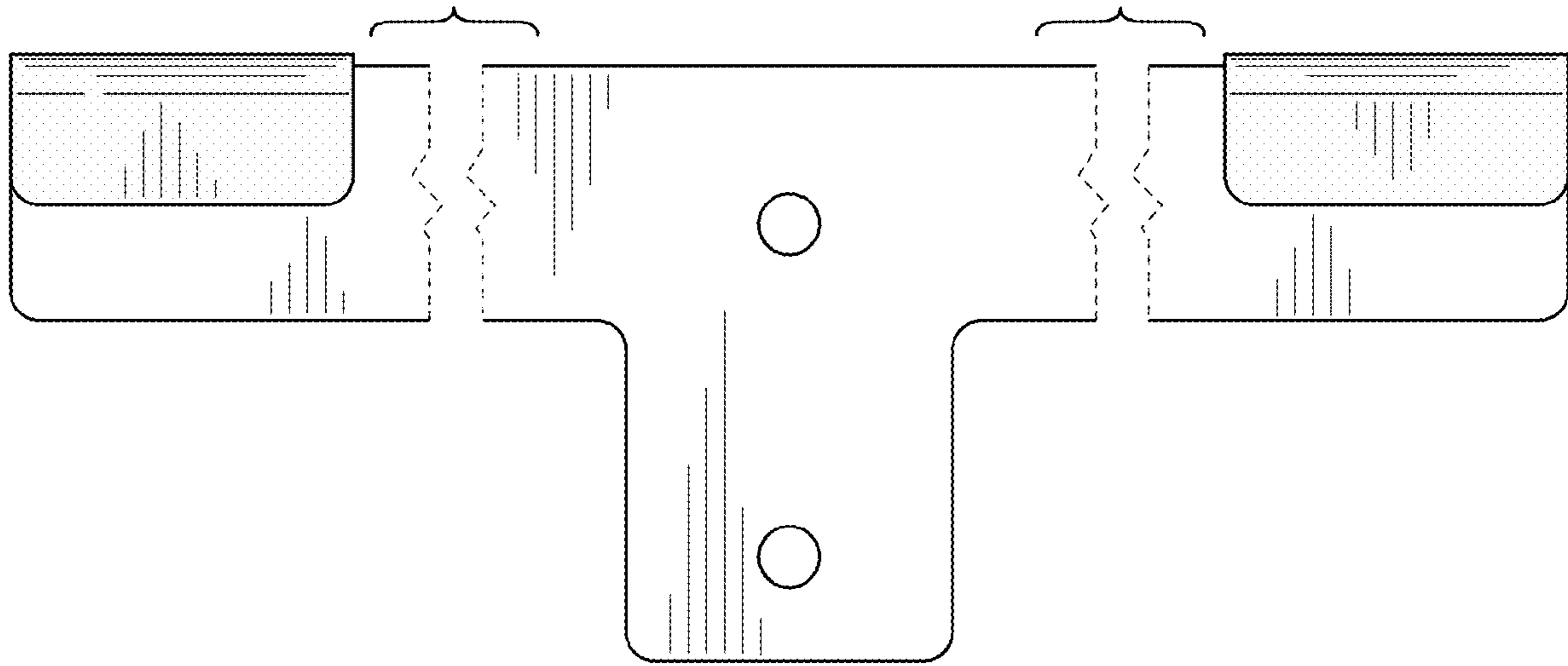


FIG. 2

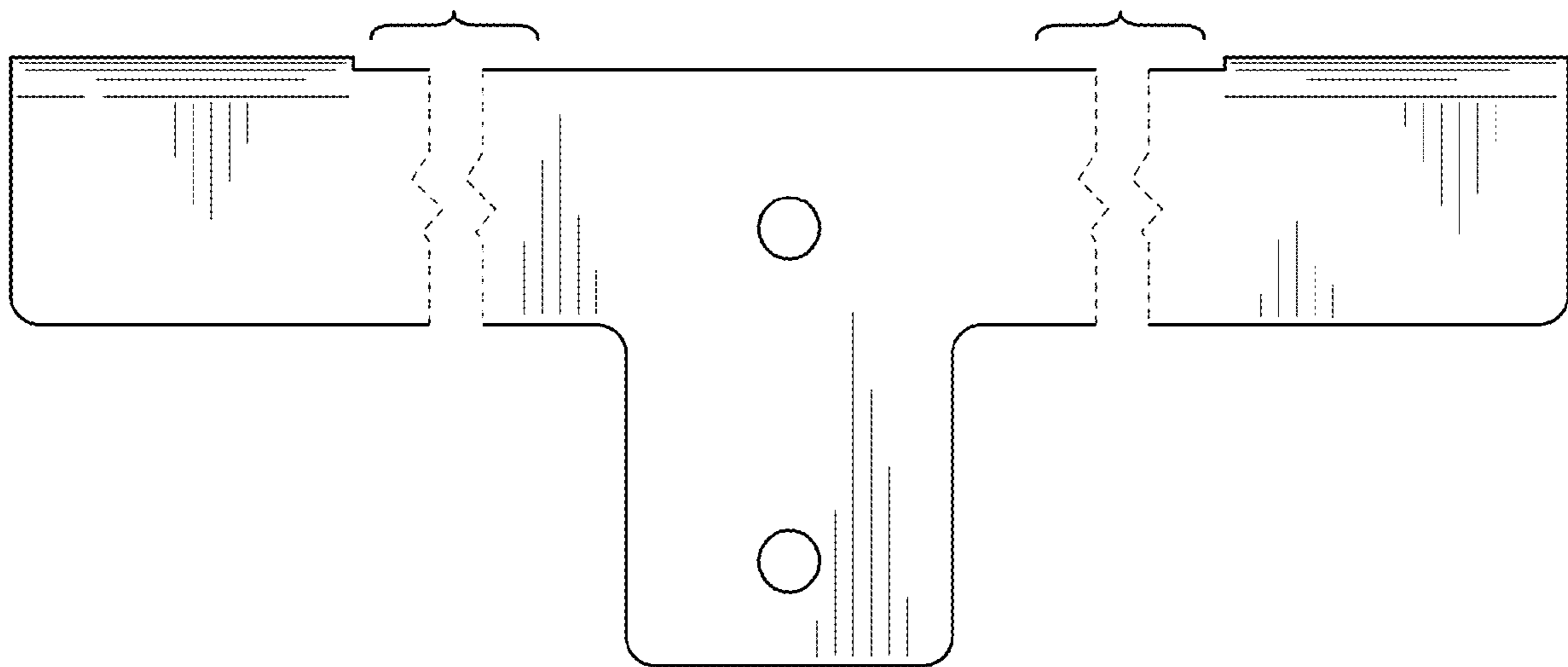


FIG. 3

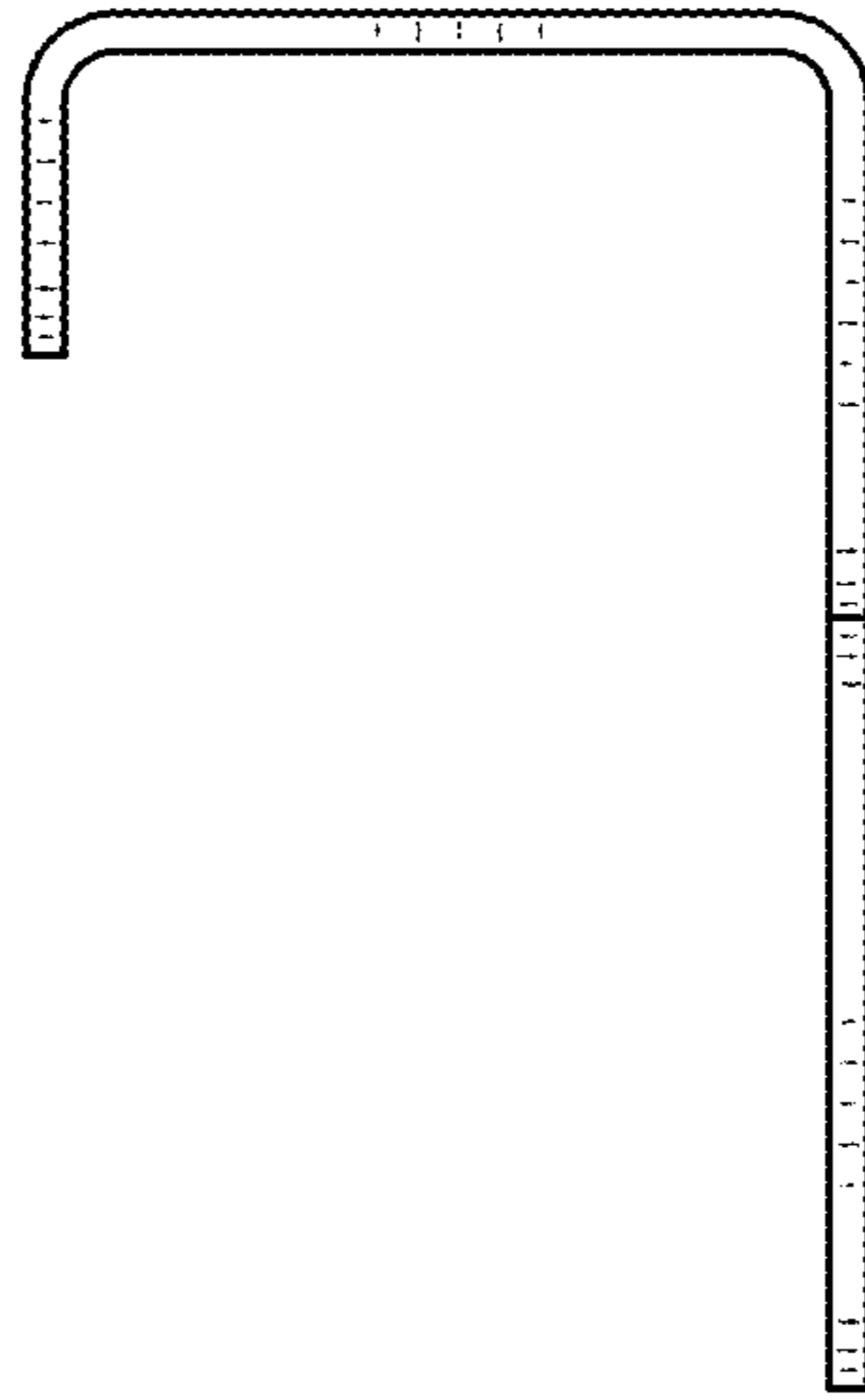


FIG. 4

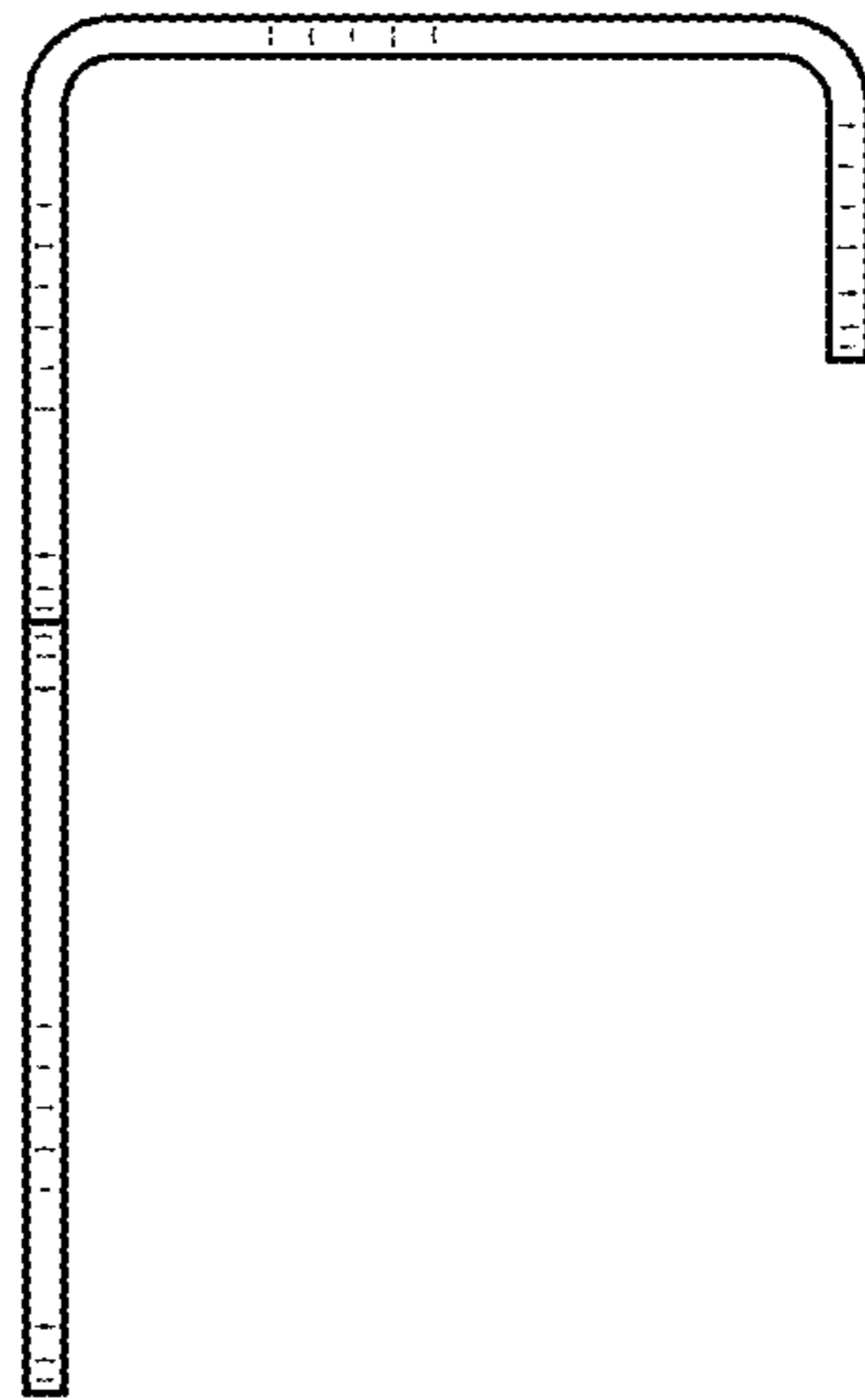


FIG. 5

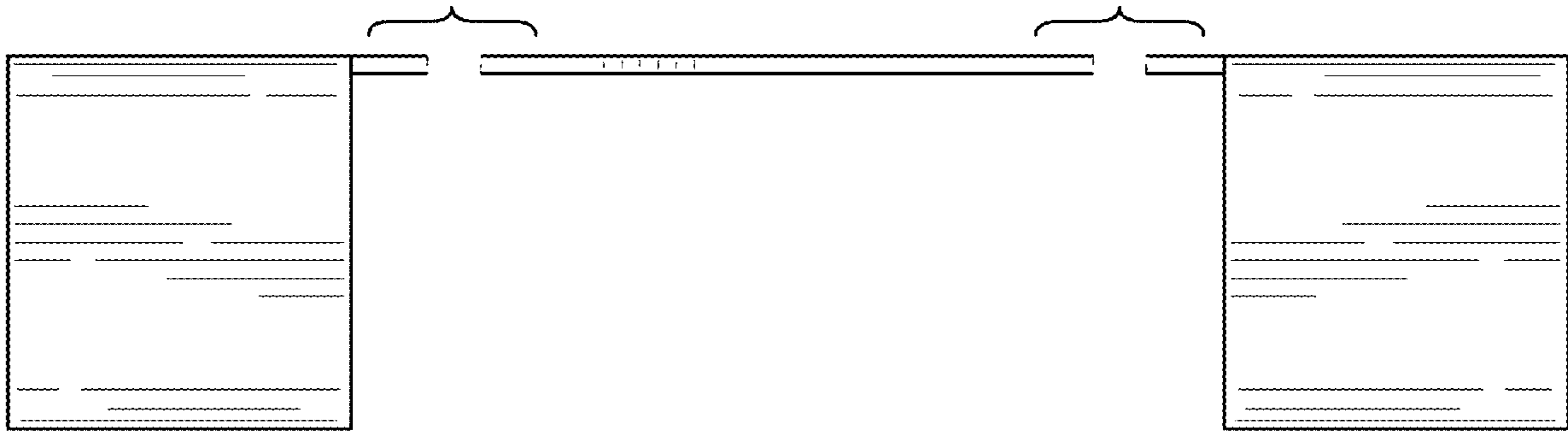


FIG. 6

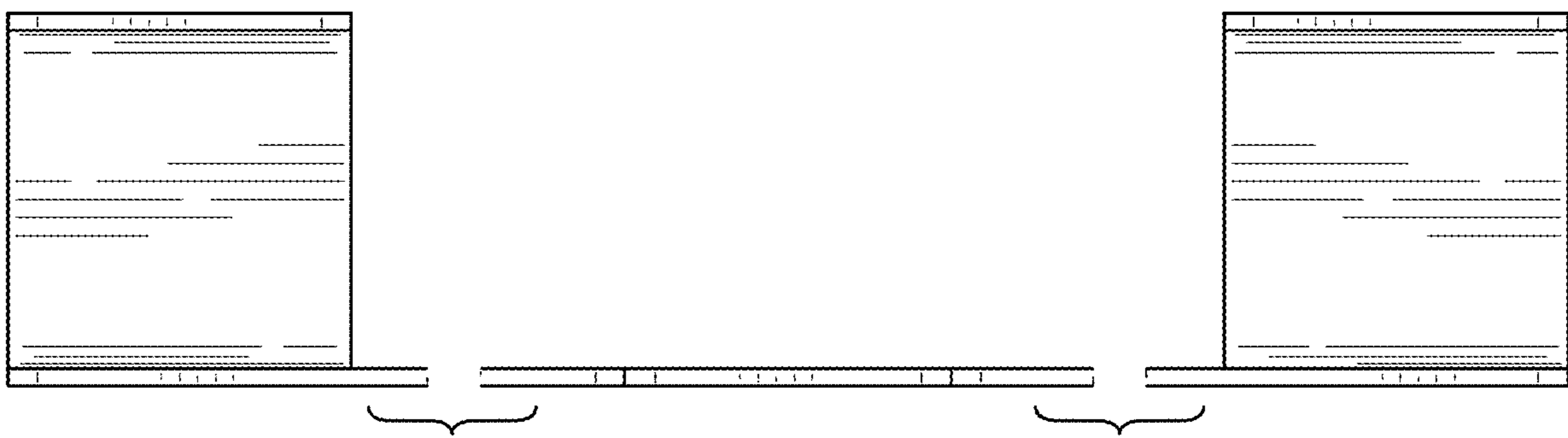


FIG. 7

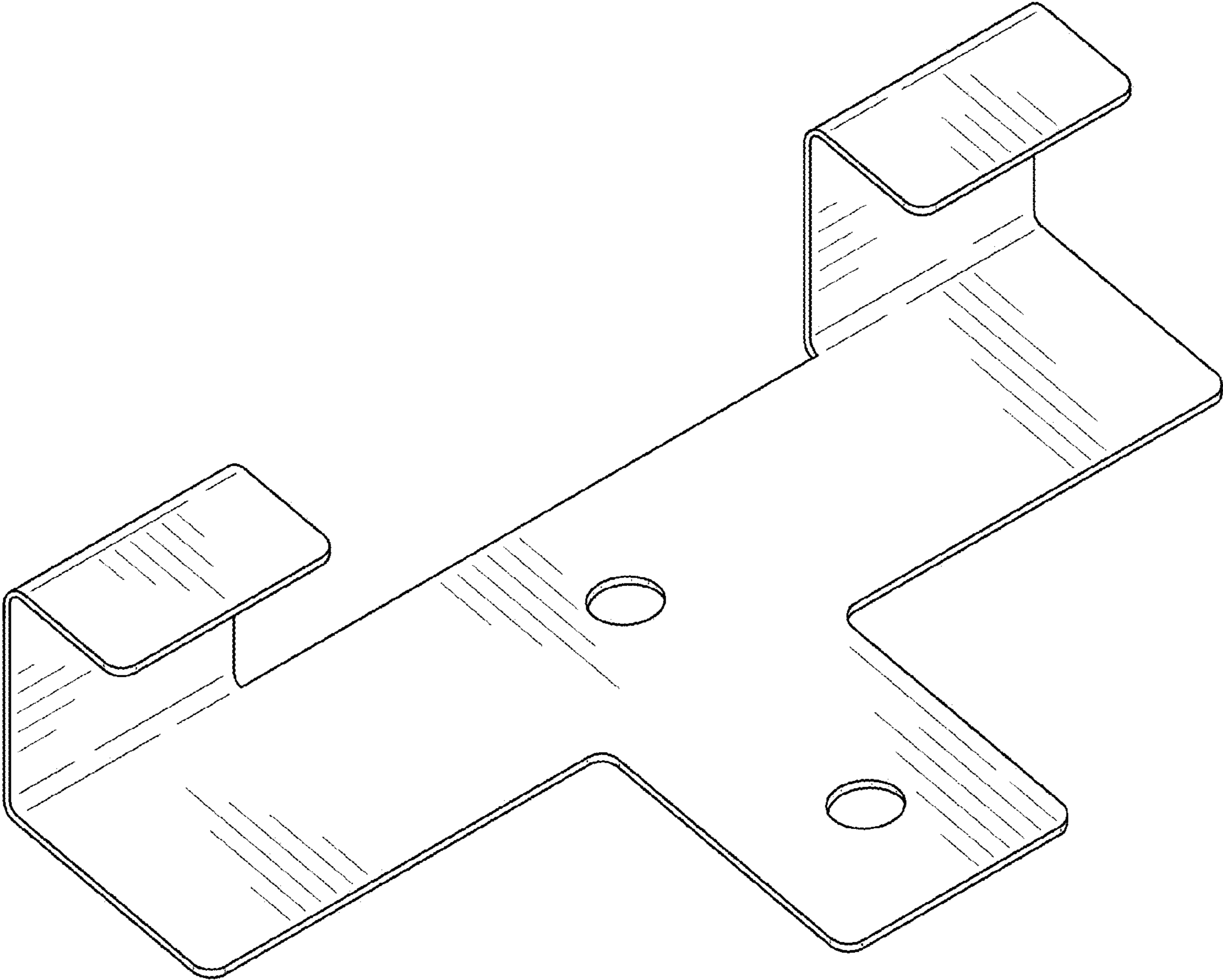


FIG. 8