



US00D956529S

(12) **United States Design Patent**  
**Schuster**

(10) **Patent No.:** **US D956,529 S**

(45) **Date of Patent:** **\*\* Jul. 5, 2022**

- (54) **HANGING MEMBER WITH NUT**
- (71) Applicant: **Keith Schuster**, Chandler, AZ (US)
- (72) Inventor: **Keith Schuster**, Chandler, AZ (US)
- (\*\*) Term: **15 Years**
- (21) Appl. No.: **29/723,853**
- (22) Filed: **Feb. 11, 2020**
- (51) **LOC (13) Cl.** ..... **08-11**
- (52) **U.S. Cl.**  
USPC ..... **D8/367**; D8/387
- (58) **Field of Classification Search**  
USPC ..... D8/387, 367, 354, 349, 363; 411/441,  
411/79, 80, 110, 106; 248/217.4  
CPC ..... F16B 23/00; F16B 45/00; F16B 35/06;  
F16C 11/10; B66C 1/66  
See application file for complete search history.

- 7,077,612 B1 \* 7/2006 Diggle, III ..... F16B 35/06  
248/303
- 7,510,360 B2 \* 3/2009 Ernst ..... F16B 39/02  
248/217.4
- 9,067,766 B1 \* 6/2015 Bateman ..... B66C 15/065
- D733,545 S \* 7/2015 Charette ..... D8/387
- 9,178,341 B2 \* 11/2015 Maltby ..... H02G 1/083
- 9,850,938 B2 \* 12/2017 Pool ..... F16B 23/0007
- 10,215,213 B2 \* 2/2019 Forrest ..... F16B 21/186
- D893,984 S \* 8/2020 Rateliff ..... D8/367
- D917,266 S \* 4/2021 Winnie ..... D8/367
- 11,148,910 B1 \* 10/2021 Kowalevich ..... F16G 15/06
- D944,074 S \* 2/2022 Schicker ..... D8/367
- D945,866 S \* 3/2022 Luo ..... D8/367

(Continued)

*Primary Examiner* — Cynthia R Underwood  
(74) *Attorney, Agent, or Firm* — Mark V. Loen

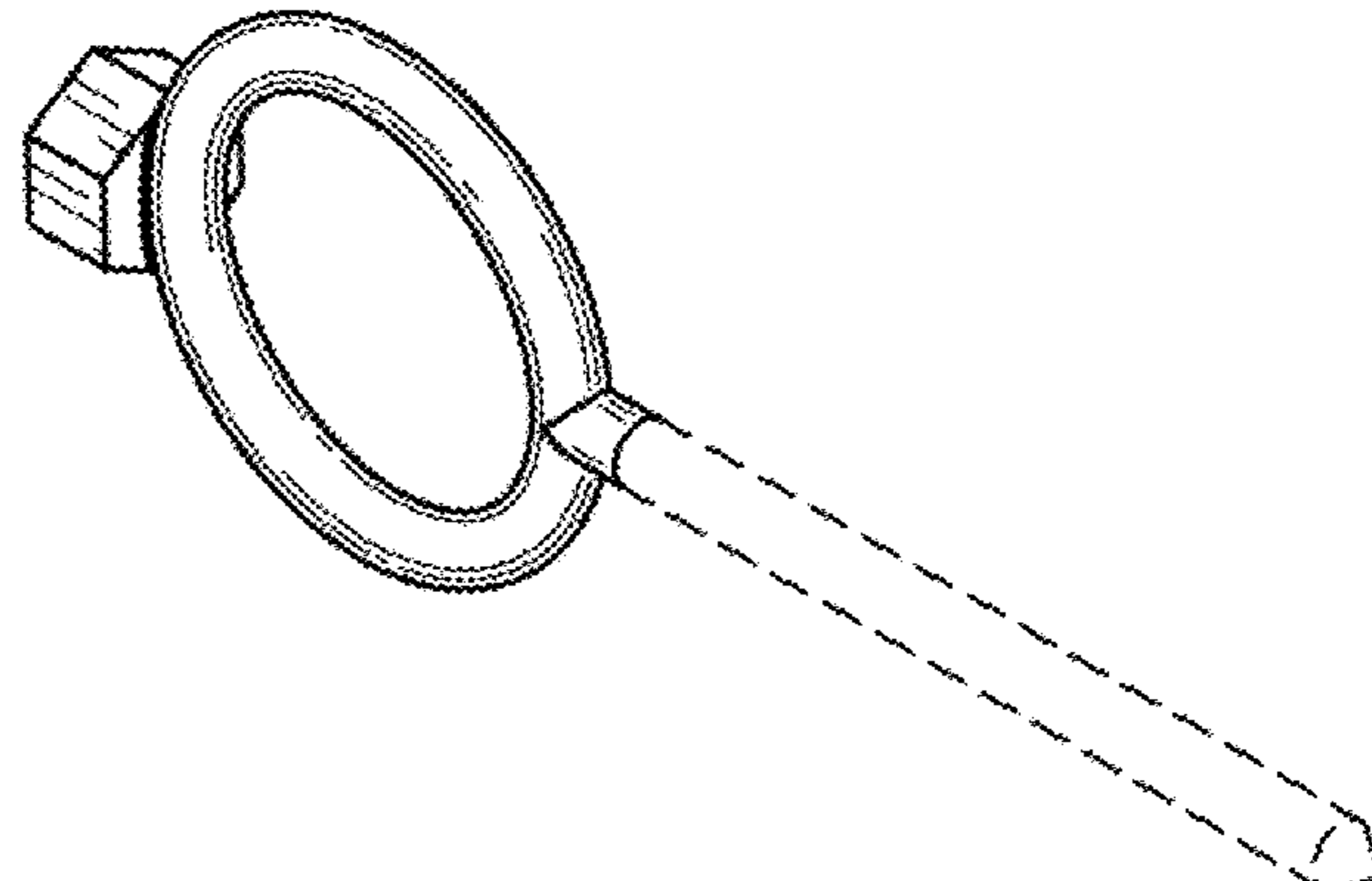
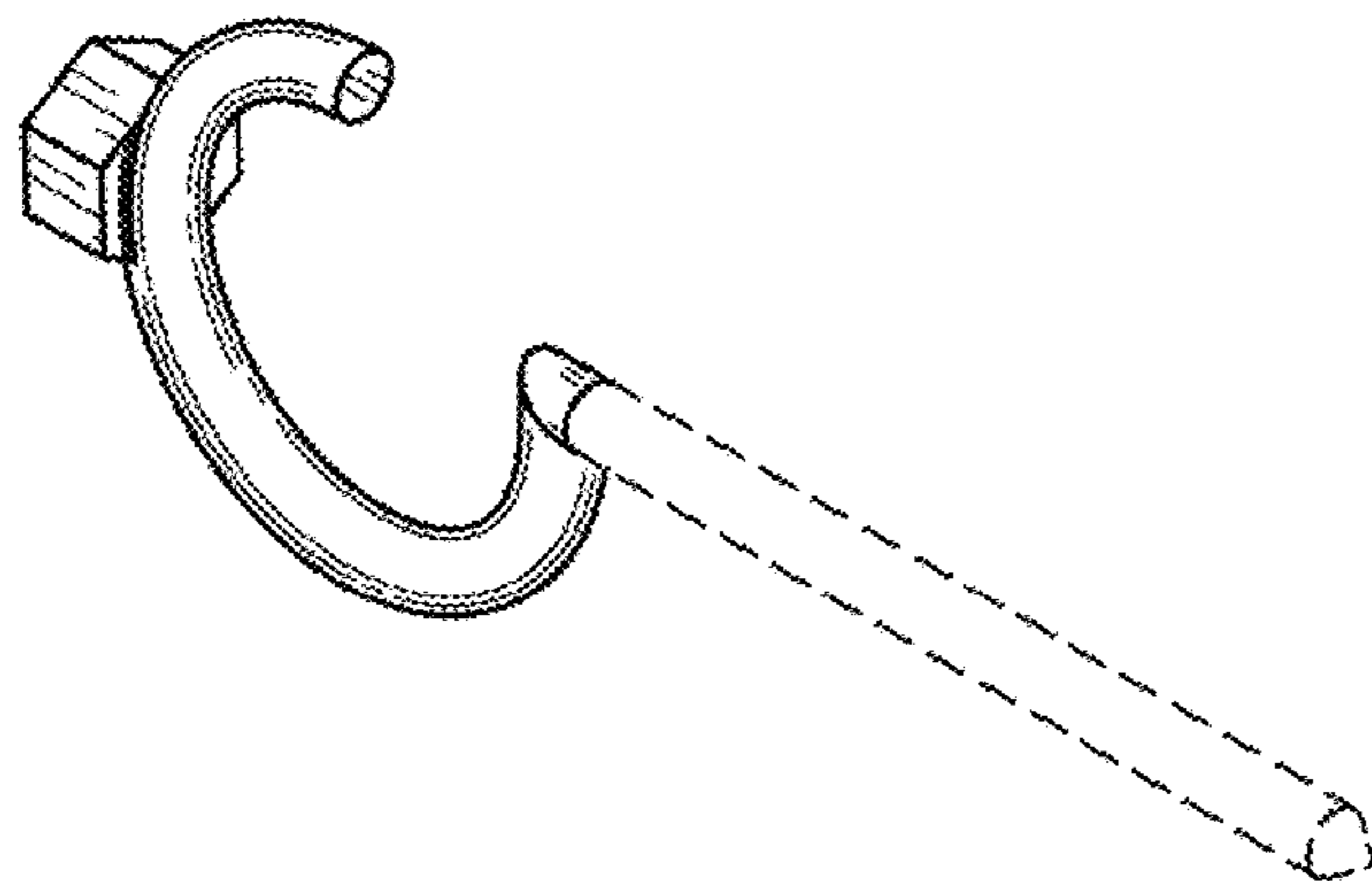
(57) **CLAIM**

The hanging member with nut, as shown and described.

**DESCRIPTION**

FIG. 1 is a front view of a first embodiment of a hanging member with nut;  
 FIG. 2 is a top view side view thereof;  
 FIG. 3 is a bottom edge view thereof;  
 FIG. 4 is a left side view thereof;  
 FIG. 5 is a right view thereof;  
 FIG. 6 is an isometric view thereof; and  
 FIG. 7 is a front view of a second embodiment of the hanging member with nut;  
 FIG. 8 is a top view side view thereof;  
 FIG. 9 is a bottom edge view thereof;  
 FIG. 10 is a left side view thereof;  
 FIG. 11 is a right view thereof; and,  
 FIG. 12 is an isometric view thereof.  
 The feature drawn in broken lines in FIGS. 1-3, 5, 6-9, 11 and 12 show an unclaimed threaded shaft.

**1 Claim, 4 Drawing Sheets**



(56)

**References Cited**

U.S. PATENT DOCUMENTS

2005/0155156 A1\* 7/2005 Tassano ..... B25B 13/5091  
7/138  
2013/0058736 A1\* 3/2013 Auchey ..... F16B 25/103  
411/387.4  
2016/0363158 A1\* 12/2016 Pool ..... F16B 23/0007  
2018/0029846 A1\* 2/2018 Verbrugge ..... F16B 39/101  
2021/0039229 A1\* 2/2021 Schuster ..... F16M 13/02

\* cited by examiner

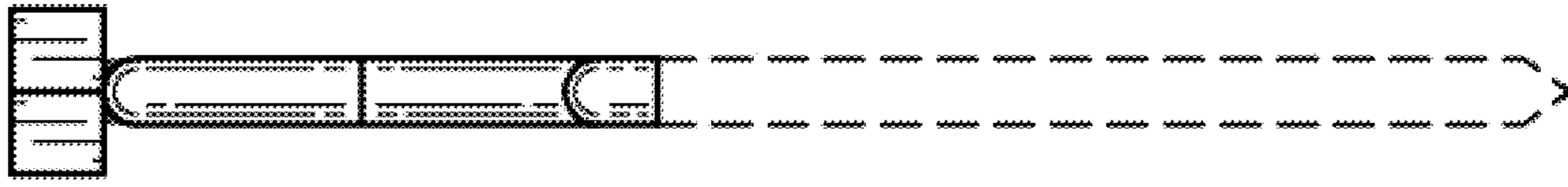


Fig. 2

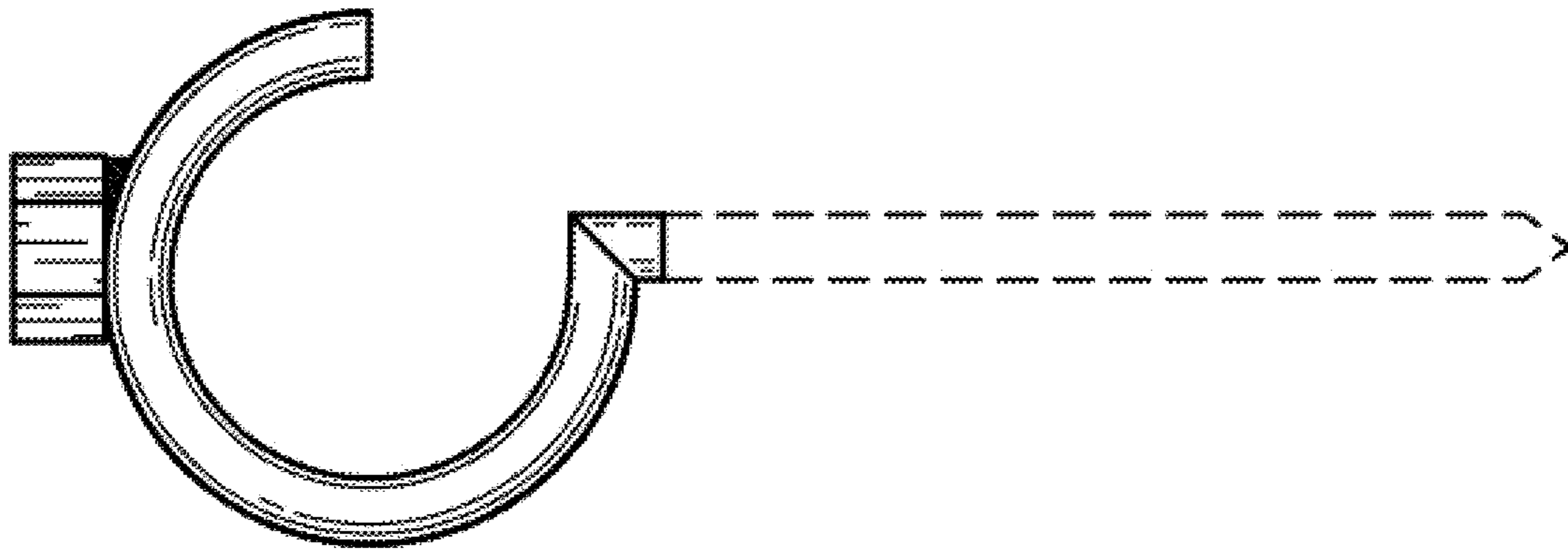


Fig. 1

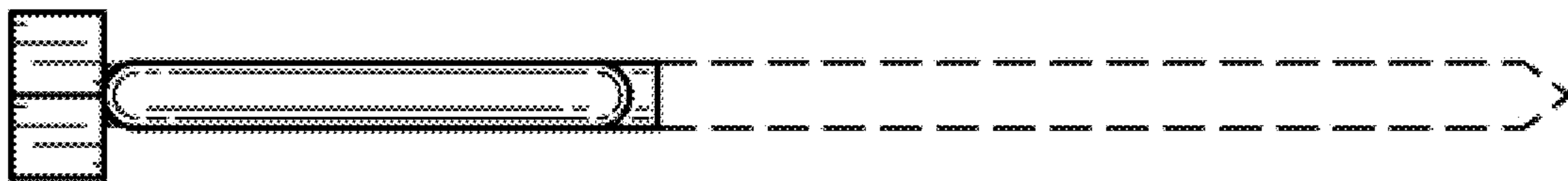


Fig. 3

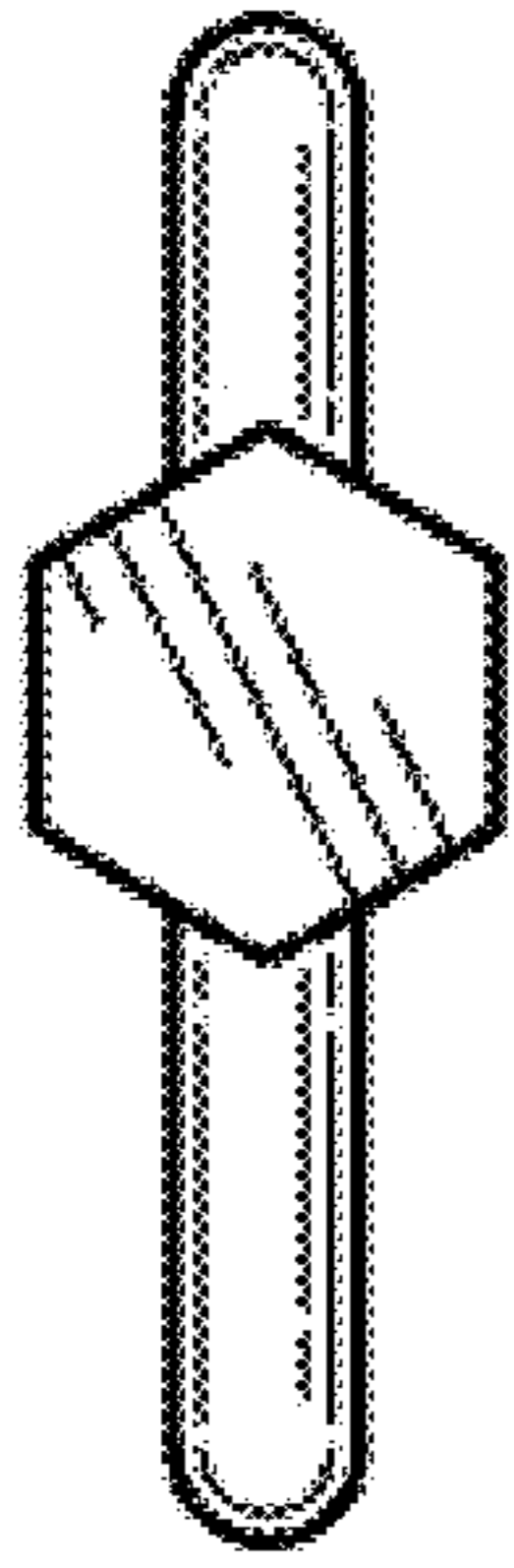


Fig. 4

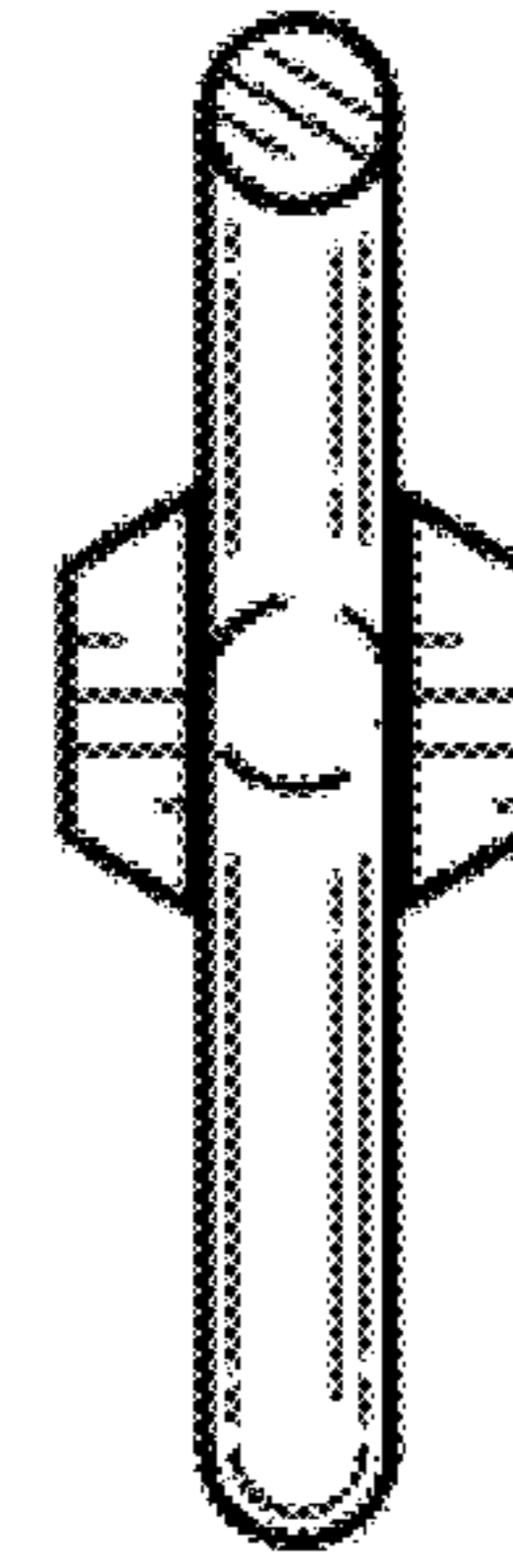


Fig. 5

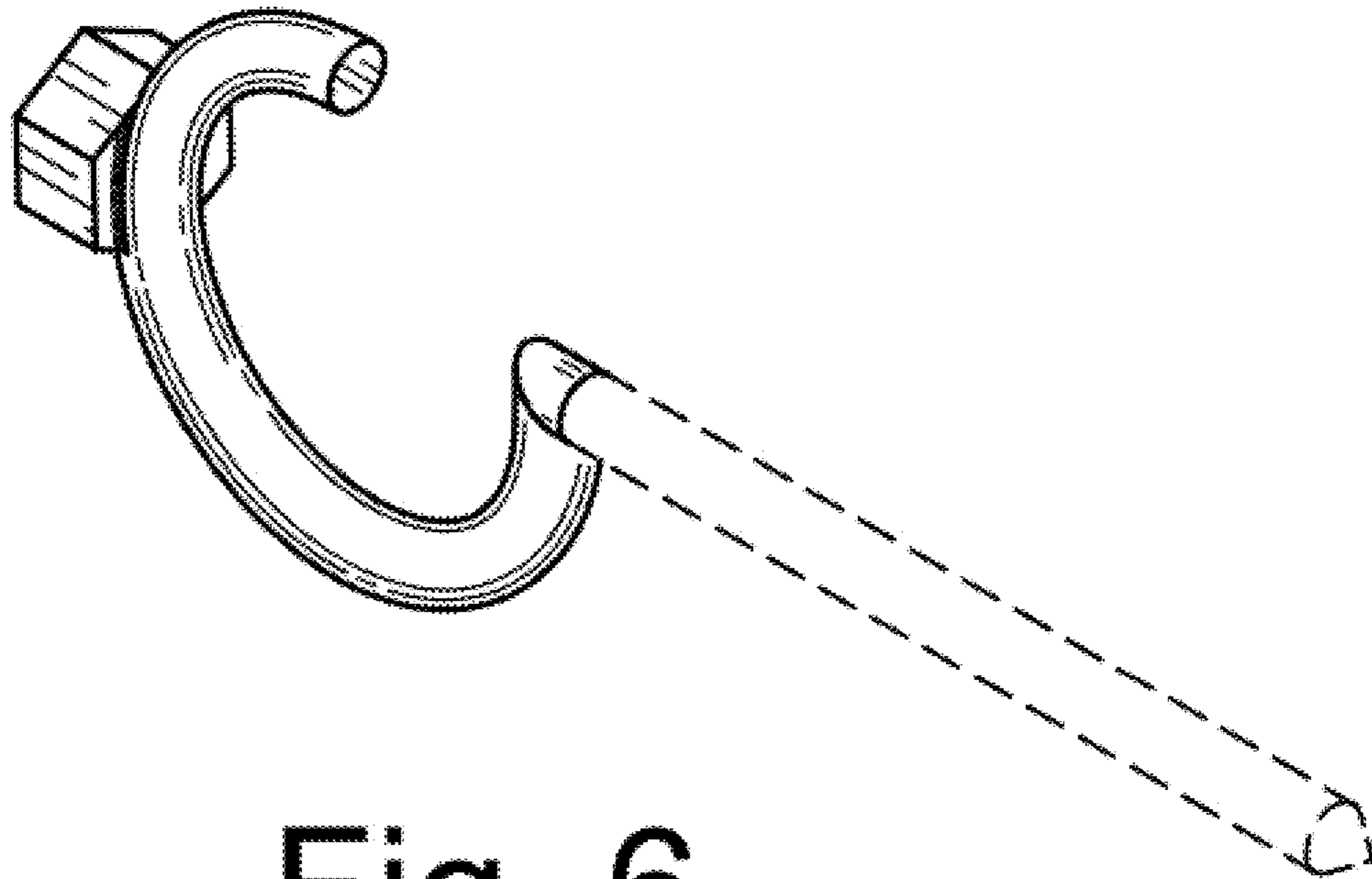


Fig. 6

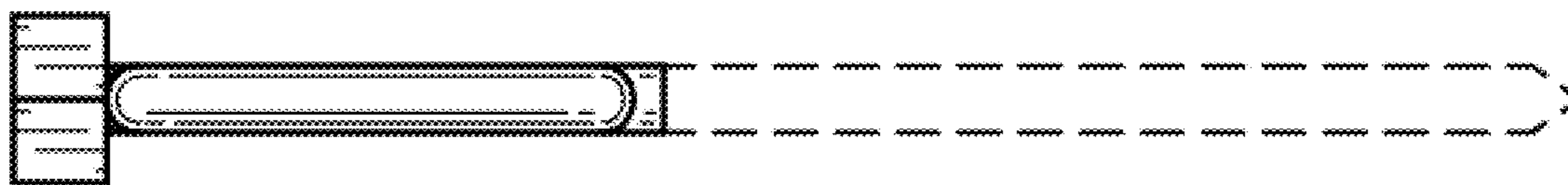


Fig. 8

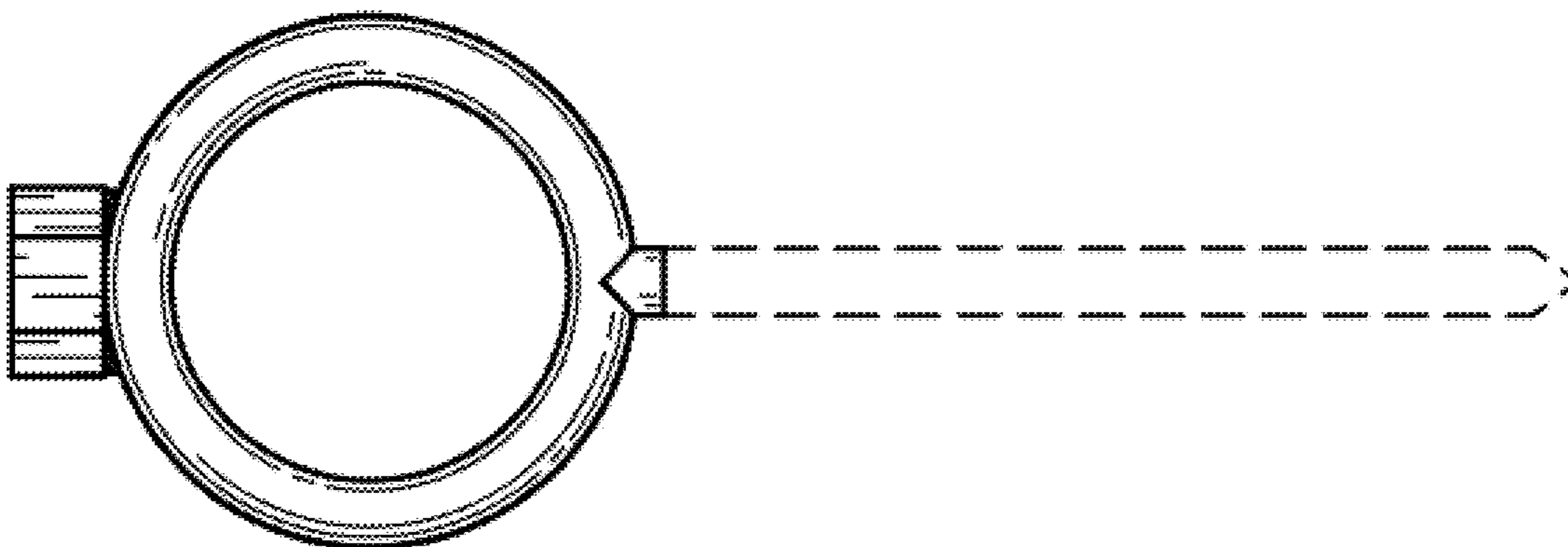


Fig. 7

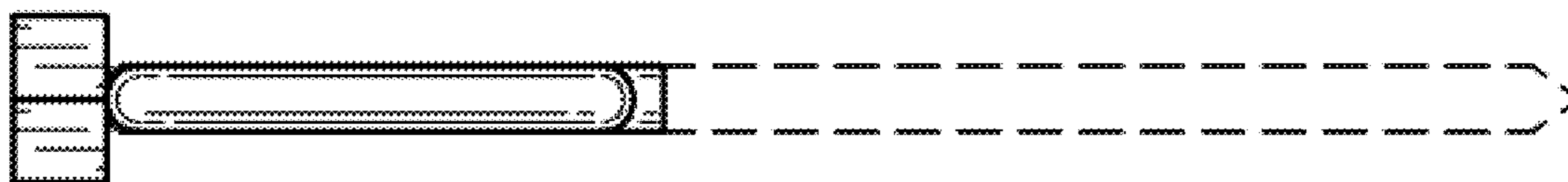


Fig. 9





Fig. 10

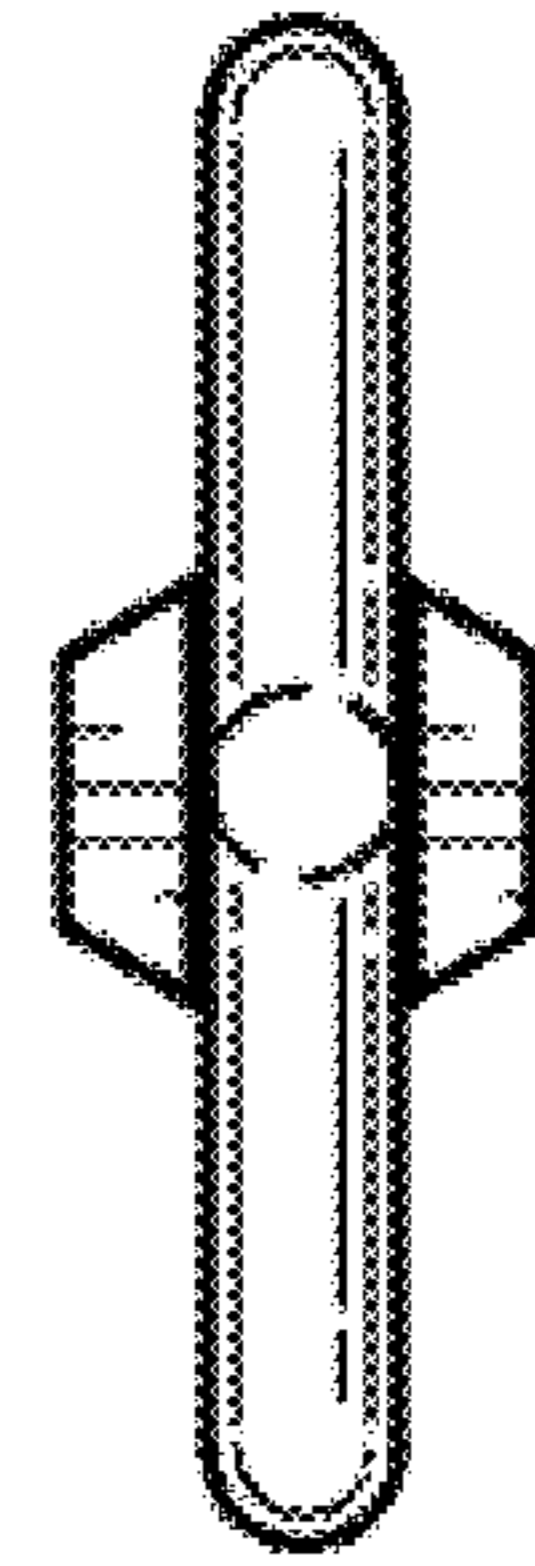


Fig. 11

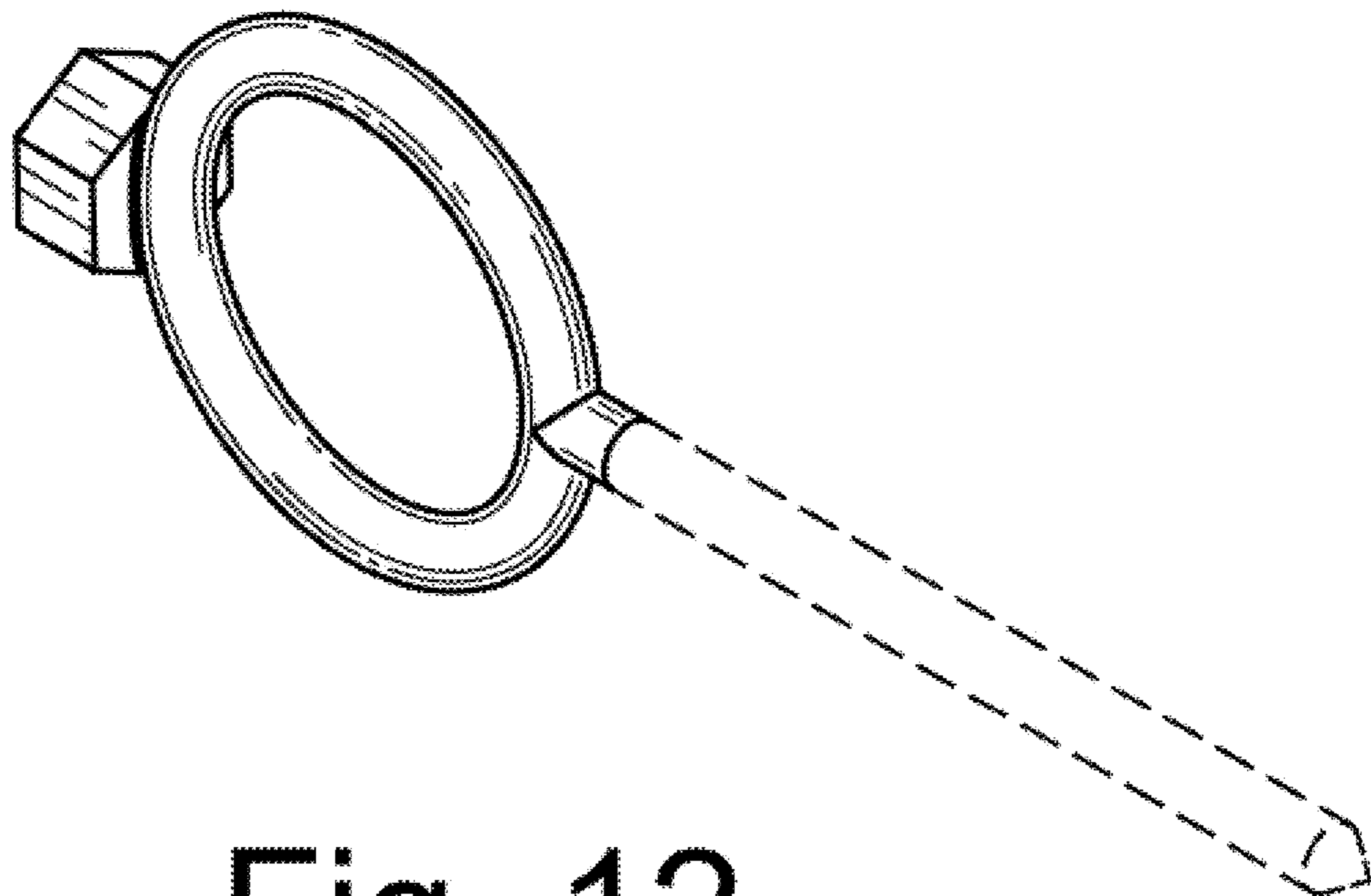


Fig. 12